

SKYTRAK[®]

Illustrated Parts Manual

Models ***8042, 10042,*** ***10054***

S/N 13198 thru 19987
& 0160002332 thru 0160045249
including 0160045255 excluding
0160042754, 0160042762,
0160042877, 0160042911,
0160043185, 0160043220 &
0160043244

8990395

Revised
June 12, 2012

JLG[®]
An Oshkosh Corporation Company

EFFECTIVITY PAGE

June 3, 2005 - D - Revised Manual

May 11, 2006 - E - Revised Manual

February 23, 2007 - F - Revised Manual

October 9, 2007 - G - Revised Manual

April 17, 2008 - H - Revised Manual (Manual edited to B/M 8042 - 0010622 Revision 32)

(Manual edited to B/M 10042 - 0010623 Revision 27)

(Manual edited to B/M 10054 - 0010624 Revision 28)

January 19, 2008 - I - Revised Manual

August 5, 2009 - J - Revised Manual

July 1, 2010 - K - Revised Manual

February 11, 2011 - L - Revised Manual

August 25, 2011 - M - Revised Manual

November 11, 2011 - N - Revised Manual

April 9, 2012 - O - Revised Manual

June 12, 2012 - P - Revised Manual

EFFECTIVITY PAGE

TABLE OF CONTENTS

FIGURE NO.	TITLE	PAGE NO.
SECTION 1 –		
FRAME & ATTACHING PARTS		1-1
1-1	Main Frame Components	1-2
1-2	Hoods & Guards	1-10
1-3	Outrigger Mounting	1-14
SECTION 2 –		
BOOM		2-1
2-1	First Boom Section	2-2
2-2	Second Boom Section	2-12
2-3	Third Boom Section	2-16
2-4	Fourth Boom Section	2-20
2-5	Quick Attach	2-22
2-6	Boom Extend Chains	2-24
2-7	Boom Retract Chains	2-28
SECTION 3 –		
ATTACHMENTS		3-1
3-1	Buckets	3-2
3-2	Tilt Carriage	3-4
3-3	Side Tilt Carriage	3-8
3-4	Swing Carriage	3-12
3-5	Sheet Material Handler	3-16
3-6	3 FT Truss Boom With Winch	3-20
3-7	12 FT. Truss Boom With Winch	3-22
3-8	Truss Boom	3-24
3-9	Lifting Hook	3-28
3-10	Forks	3-30
3-11	Concrete Bucket	3-32
3-12	Sweeper Assembly	3-34
3-13	Fork Mounted Platform	3-36
3-14	Grapple Bucket	3-40
3-15	Fork Pin Lock Installation	3-42
3-16	Dual Fork Positioning Carriage Assembly	3-44
3-17	8 Ft Standard Mast	3-46
SECTION 4 –		
ENGINE & ATTACHING PARTS		4-1
4-1	Engine Mounting	4-2
4-2	Fuel System	4-18
4-3	Radiator & Oil Cooler Mounting	4-26
4-4	Air Cleaner Assembly	4-42
4-5	Exhaust System	4-50
4-6	Isolation Coupler	4-60

TABLE OF CONTENTS

FIGURE NO.	TITLE	PAGE NO.
SECTION 5 –		
	DRIVE TRAIN	5-1
5-1	Drive Train Components	5-2
5-2	Front Axle	5-10
5-3	Front Axle - Input	5-12
5-4	Front Axle - Limited Slip Differential	5-20
5-5	Front Axle - Axle Casing	5-24
5-6	Front Axle - M-Disc Brake	5-28
5-7	Front Axle - Brake	5-38
5-8	Front Axle - Joint Housing	5-42
5-9	Front Axle - Planetary Drive	5-48
5-10	Rear Axle	5-52
5-11	Rear Axle - Input	5-54
5-12	Rear Axle - Differential	5-62
5-13	Rear Axle - Axle Casing	5-66
5-14	Rear Axle - M-Disc Brake	5-70
5-15	Rear Axle - Brake	5-76
5-16	Rear Axle - Joint Housing	5-78
5-17	Rear Axle - Planetary Drive	5-84
5-18	ZF Transmission	5-88
5-19	ZF Transmission - Engine Connection & Convertor	5-90
5-20	ZF Transmission - Input Shafts	5-92
5-21	ZF Transmission - Gearbox Housing	5-94
5-22	ZF Transmission - Coupling Group 1	5-96
5-23	ZF Transmission - Coupling Group 2	5-98
5-24	ZF Transmission - Coupling Group 3	5-100
5-25	ZF Transmission - Coupling Group 4	5-102
5-26	ZF Transmission - Reversing Gear Group 1	5-104
5-27	ZF Transmission - Reversing Gear Group 2	5-106
5-28	ZF Transmission - Output	5-108
5-29	ZF Transmission - Control Unit	5-110
5-30	ZF Transmission - Valve Housing Assembly	5-112
5-31	ZF Transmission - Valve Block Assembly	5-116
5-32	ZF Transmission - Oil Pump & Filter	5-118
5-33	Drive Shafts	5-120
5-34	Tires & Rims	5-122
SECTION 6 –		
	CAB	6-1
6-1	Open Cab	6-2
6-2	Closed Cab	6-6
6-3	Soft Cab Enclosure	6-14
6-4	Cab Door	6-16
6-5	Operators Seat	6-18

TABLE OF CONTENTS

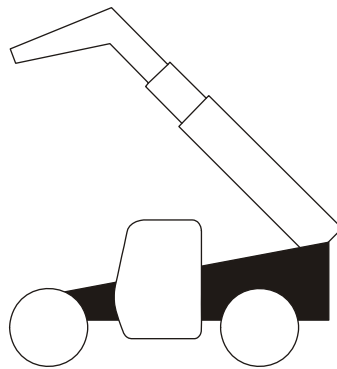
FIGURE NO.	TITLE	PAGE NO.
6-6	Front Windshield Wiper	6-22
6-7	Skylight Windshield Wiper	6-24
6-8	Cab Heater	6-26
SECTION 7 –		
CONTROLS		7-1
7-1	Service Brake Pedal Control	7-2
7-2	Throttle Pedal Control	7-4
7-3	Steering Wheel & Shifter	7-10
7-4	Control Console	7-12
7-5	Boom Lift/Lower & Extend/Retract Control	7-16
7-6	Frame Sway & Attachment Tilt Control	7-18
7-7	Auxiliary Hydraulic Control	7-20
SECTION 8 –		
HYDRAULIC CIRCUITS		8-1
8-1	Service Brake & De-Clutch	8-2
8-2	Boom Lift/Lower & Extend/Retract	8-8
8-3	Attachment Tilt & Slave	8-14
8-4	Frame Sway & Stabil-Trak	8-16
8-5	Outriggers	8-20
8-6	Power Steering	8-22
8-7	Control Valve	8-24
8-8	Auxiliary Hydraulic	8-48
8-9	Transmission Cooler	8-52
SECTION 9 –		
HYDRAULIC COMPONENTS		9-1
9-1	Extend/Retract Cylinder	9-2
9-2	Lift/Lower Cylinder	9-6
9-3	Attachment Tilt Cylinder	9-16
9-4	Frame Sway Cylinder	9-22
9-5	Stabil-Trak Cylinder	9-28
9-6	Slave Cylinder	9-32
9-7	Outrigger Cylinder	9-38
9-8	Gear Pump	9-42
9-9	Main Control Valve	9-52
9-10	Directional Control Valve	9-56
9-11	Fuel/Hydraulic Tank Assembly	9-60
9-12	Side Tilt Carriage Cylinder	9-62
9-13	72 in. 90 Degree Swing Carriage Cylinder	9-64
9-14	Grapple Bucket Cylinder	9-66
9-15	Brake Valve	9-68

TABLE OF CONTENTS

FIGURE NO.	TITLE	PAGE NO.
SECTION 10 –		
	ELECTRICAL	10-1
10-1	Cab Harness	10-2
10-2	Engine Harness	10-10
10-3	Outrigger Harness	10-30
10-4	Jumper Harness	10-32
SECTION 11 –		
	DECALS	11-1
11-1	Decals	11-2
SECTION 12 –		
	OPTIONS	12-1
12-1	Worklight System	12-2
12-2	Roadlight System	12-4
12-3	Swing Carriage Cylinder	12-12
12-4	Side Tilt Carriage Cylinder	12-16
12-5	Fender Installation	12-18
12-6	Rotating Beacon Installation	12-22
12-7	First Boom Section Service Kit	12-24
12-8	Remote Oil Filler	12-26
12-9	Ignition Switch Weather Kit	12-28
12-10	Exhaust Upgrade Kit	12-30
SECTION 13 –		
	RECOMMENDED SPARE PARTS	13-1
SECTION 14 – PART NUMBER INDEX		
		14-1

SECTION 1

FRAME & ATTACHING PARTS



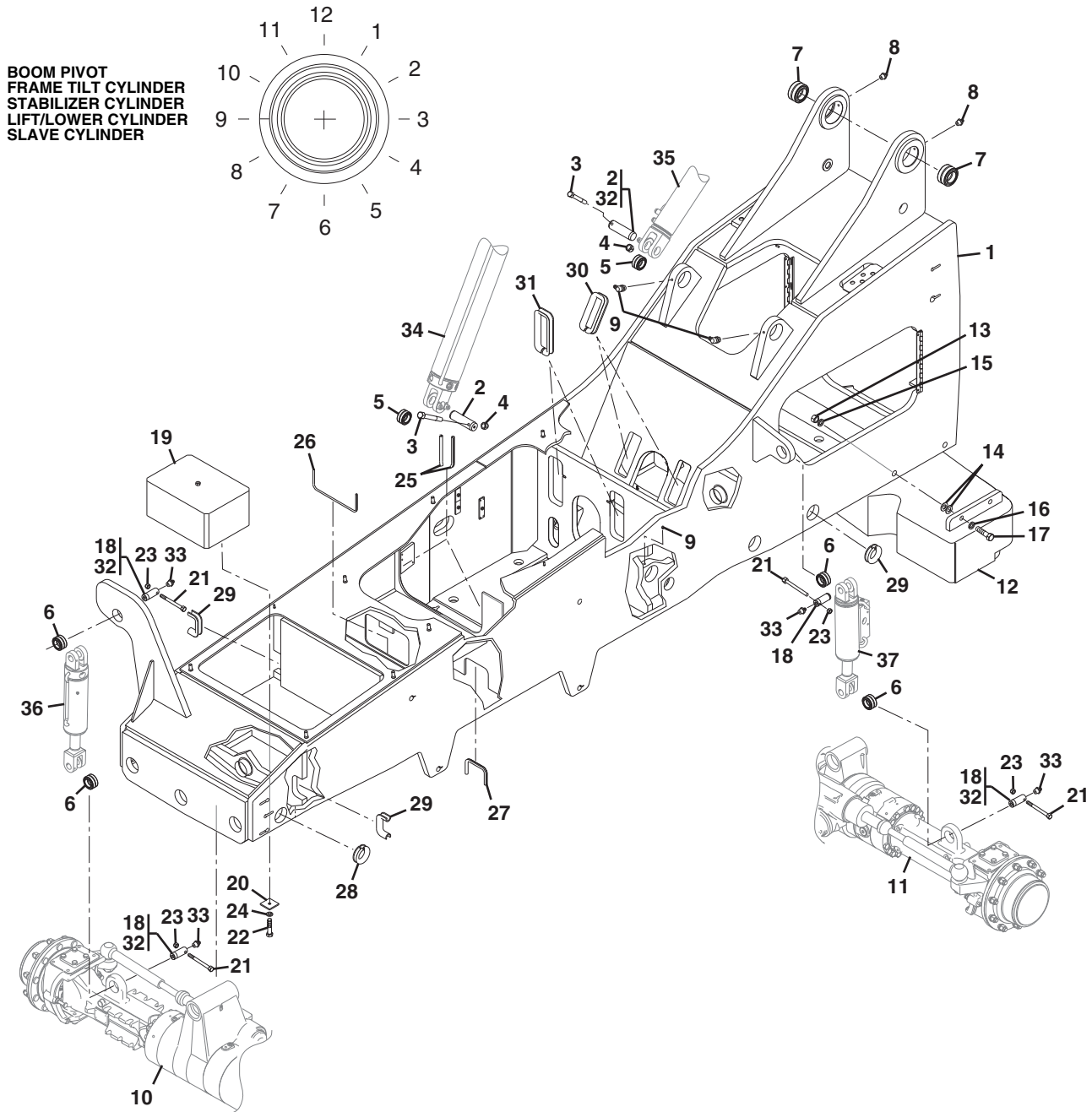


FRAME & ATTACHING PARTS

S/N 13198 thru 19987
& 0160002332 thru 0160004669

Figure 1-1 Main Frame Components

LOCATE THE FRACTURE IN BEARING
OUTER RACE AT THE CLOCK POSITION
SHOWN FOR EACH APPLICATION



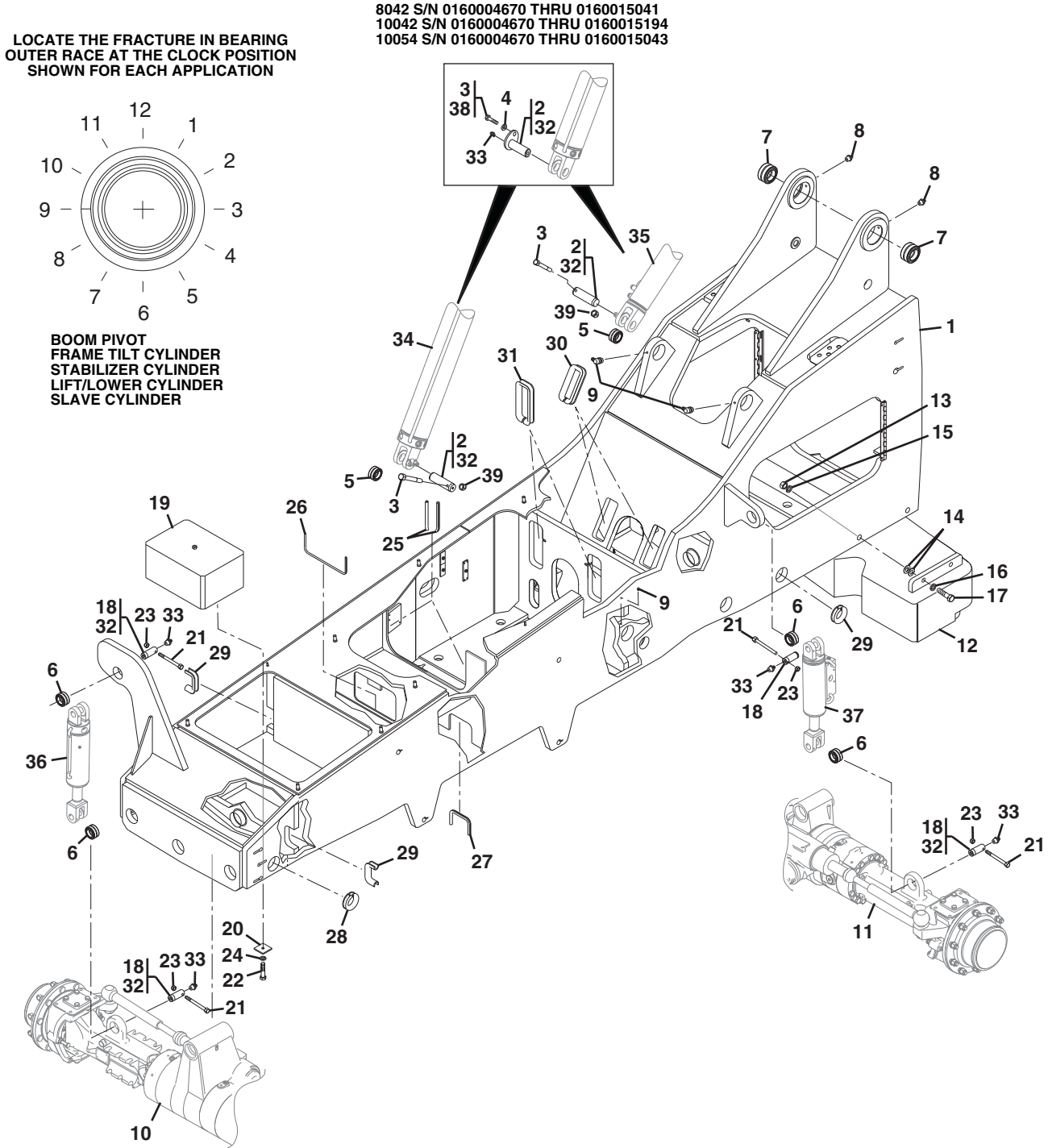
Item	Part Number	Qty.	Description	Rev.
	NSS	1	FRAME WELDMENT	
2	7092292	4	LIFT/LOWER & SLAVE CYLINDER PINS, (base & rod ends)	
3	8303782	4	HEX HD CAPSCREW, 1/2-13X4	
4	8305644	4	HEX LOCKNUT, 1/2-13	
5	8065640	2	BEARING, (self align)	
6	8050001	4	BEARING, (self align)	
7	8065641	2	BEARING, (self align)	
8	8520013	2	GREASE FITTING, STRAIGHT	
9	8520021	4	GREASE FITTING, 90 DEGREES	
10		Ref	FRONT AXLE, (see Figure 5-2 for details)	
11		Ref	REAR AXLE, (see Figure 5-10 for details)	
12	7138879	1	COUNTERWEIGHT	
13	8305021	4	HEX NUT, 1-8	
14	5724302	AR	WASHER, SHIM 0.06	
15	8307012	4	LOCKWASHER, 1	
16	8310066	AR	FLAT WASHER, 0.134	
17	8310051	4	HEX HD CAPSCREW, 1-8X4	
18	7137142	4	TILT & STABIL-TRAK CYLINDER PINS	
19	7138888	1	FRONT COUNTERWEIGHT, (8042 only)	
20	7139066	2	COUNTERWEIGHT HOLD DOWN PLATE, (8042 only)	
21	8303752	4	HEX HD CAPSCREW, 0.312-18X3.5	
22	8303794	2	HEX HD CAPSCREW, 0.750-10X3.5, GR8, (8042 only)	
23	8305626	4	HEX LOCKNUT, 0.312-18	
24	8307010	2	LOCKWASHER, 0.750, (8042 only)	
25	7125871	AR	CONDUIT, 0.50X8, (cut to fit)	
26	7138368	AR	CONDUIT, 0.25X2, (cut to fit)	
27	7124301	AR	CONDUIT, 0.5X15.5, (cut to fit)	
28	7124471	AR	CONDUIT, 1 DIA X12.5, (cut to fit)	
29	7124451	AR	CONDUIT, 1 IDX8, (cut to fit)	
30	7139157	AR	CONDUIT, 1 IDX4, (cut to fit)	
31	7139156	AR	CONDUIT, 1 IDX28, (cut to fit)	
32	8522012	AR	ANTI-SEIZE LUBE, (apply to items 2 & 24)	
33	8520001	4	GREASE FITTING, STRAIGHT	
34		Ref	BOOM LIFT & LOWER CYLINDER, (see Figure 9-2 for details)	
35		Ref	SLAVE CYLINDER, (see Figure 9-6 for details)	
36		Ref	FRAME SWAY CYLINDER, (see Figure 9-4 for details)	
37		Ref	STABIL-TRAK CYLINDER, (see Figure 9-5 for details)	



FRAME & ATTACHING PARTS

8042 S/N 0160004670 thru 0160033642
10042 S/N 0160004670 thru 0160033649
10054 S/N 0160004670 thru 0160033644

Figure 1-1 Main Frame Components



8042 S/N 0160004670 thru 0160033642
 10042 S/N 0160004670 thru 0160033649
 10054 S/N 0160004670 thru 0160033644

FRAME & ATTACHING PARTS



Figure 1-1 Main Frame Components

Item	Part Number	Qty.	Description	Rev.
1	NSS	1	FRAME WELDMENT	
2	7302039	4	LIFT/LOWER & SLAVE CYLINDER PINS, (base & rod ends), (8042 S/N 0160004670 thru 0160015041), (10042 S/N 0160004670 thru 0160015194), (10054 S/N 0160004670 thru 0160015043)	
	3423227	4	LIFT/LOWER & SLAVE CYLINDER PINS, (base & rod ends), (8042 S/N 0160015042 & After), (10042 S/N 0160015195 & After), (10054 S/N 0160015044 & After)	
3	8303625	4	HEX HD CAPSCREW, 1/2-13X1.25, GR5, (8042 S/N 0160004670 thru 0160015041), (10042 S/N 0160004670 thru 0160015194), (10054 S/N 0160004670 thru 0160015043)	
	8303782	4	HEX HD CAPSCREW, 1/2-13X4.0, GR5, (8042 S/N 0160015042 & After), (10042 S/N 0160015195 & After), (10054 S/N 0160015044 & After)	
4	8310056	4	PLAIN WASHER, 1/2, (8042 S/N 0160004670 thru 0160015041), (10042 S/N 0160004670 thru 0160015194), (10054 S/N 0160004670 thru 0160015043)	
5	8065640	4	BEARING, (self align)	
6	8050001	4	BEARING, (self align)	
7	8065641	2	BEARING, (self align)	
8	8520013	2	GREASE FITTING, STRAIGHT	
9	8520021	4	GREASE FITTING, 90 DEGREES	
10		Ref	FRONT AXLE, (see Figure 5-2 for details)	
11		Ref	REAR AXLE, (see Figure 5-10 for details)	
12	7138879	Ref	COUNTERWEIGHT, (no longer available, use 1001094786 (1), 4892600 (4), 8310051 (4), 0642222 (4), 4892200 (4) & 1001094877 (2) for replacement)	
13	8305021	4	HEX NUT, 1-8	
14	5724302	AR	WASHER, SHIM 0.06	
15	8307012	4	LOCKWASHER, 1	
16	8310066	AR	FLAT WASHER, 0.134	
17	8310051	4	HEX HD CAPSCREW, 1-8X4	
18	7137142	4	TILT & STABIL-TRAK CYLINDER PINS	
19	7138888	Ref	FRONT COUNTERWEIGHT, (8042 only) , (no longer available, use 1001094787 (1) & 0642216 (2) for replacement)	
20	7139066	2	COUNTERWEIGHT HOLD DOWN PLATE, (8042 only)	
21	8303752	4	HEX HD CAPSCREW, 0.312-18X3.5	
22	8303794	2	HEX HD CAPSCREW, 0.750-10X3.5, GR8, (8042 only)	
23	8305626	4	HEX LOCKNUT, 0.312-18	
24	8307010	2	LOCKWASHER, 0.750, (8042 only)	
25	7125871	AR	CONDUIT, 0.50X8, (cut to fit)	
26	7138368	AR	CONDUIT, 0.25X2, (cut to fit)	
27	7124301	AR	CONDUIT, 0.5X15.5, (cut to fit)	
28	7124471	AR	CONDUIT, 1 DIA X12.5, (cut to fit)	
29	7124451	AR	CONDUIT, 1 IDX8, (cut to fit)	
30	7139157	AR	CONDUIT, 1 IDX4, (cut to fit)	
31	7139156	AR	CONDUIT, 1 IDX28, (cut to fit)	
32	8522012	AR	ANTI-SEIZE LUBE, (apply to items 2 & 24)	
33	8520001	8	GREASE FITTING, STRAIGHT	
34		Ref	BOOM LIFT & LOWER CYLINDER, (see Figure 9-2 for details)	
35		Ref	SLAVE CYLINDER, (see Figure 9-6 for details)	
36		Ref	FRAME SWAY CYLINDER, (see Figure 9-4 for details)	
37		Ref	STABIL-TRAK CYLINDER, (see Figure 9-5 for details)	



FRAME & ATTACHING PARTS

8042 S/N 0160004670 thru 0160033642
10042 S/N 0160004670 thru 0160033649
10054 S/N 0160004670 thru 0160033644

Figure 1-1 Main Frame Components (Continued)

Item	Part Number	Qty.	Description	Rev.
38	8526007	AR	LOCTITE® 242™, (apply to item 3), (8042 S/N 0160004670 thru 0160015041), (10042 S/N 0160004670 thru 0160015194), (10054 S/N 0160004670 thru 0160015043)	
39	8305644	4	HEX LOCKNUT, 1/2-13, (8042 S/N 0160015042 & After), (10042 S/N 0160015195 & After), (10054 S/N 0160015044 & After)	

8042 S/N 0160004670 thru 0160033642
10042 S/N 0160004670 thru 0160033649
10054 S/N 0160004670 thru 0160033644

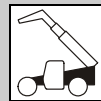


Figure 1-1 Main Frame Components (Continued)

Item	Part Number	Qty.	Description	Rev.

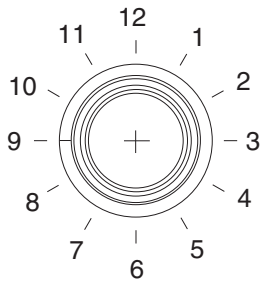


FRAME & ATTACHING PARTS

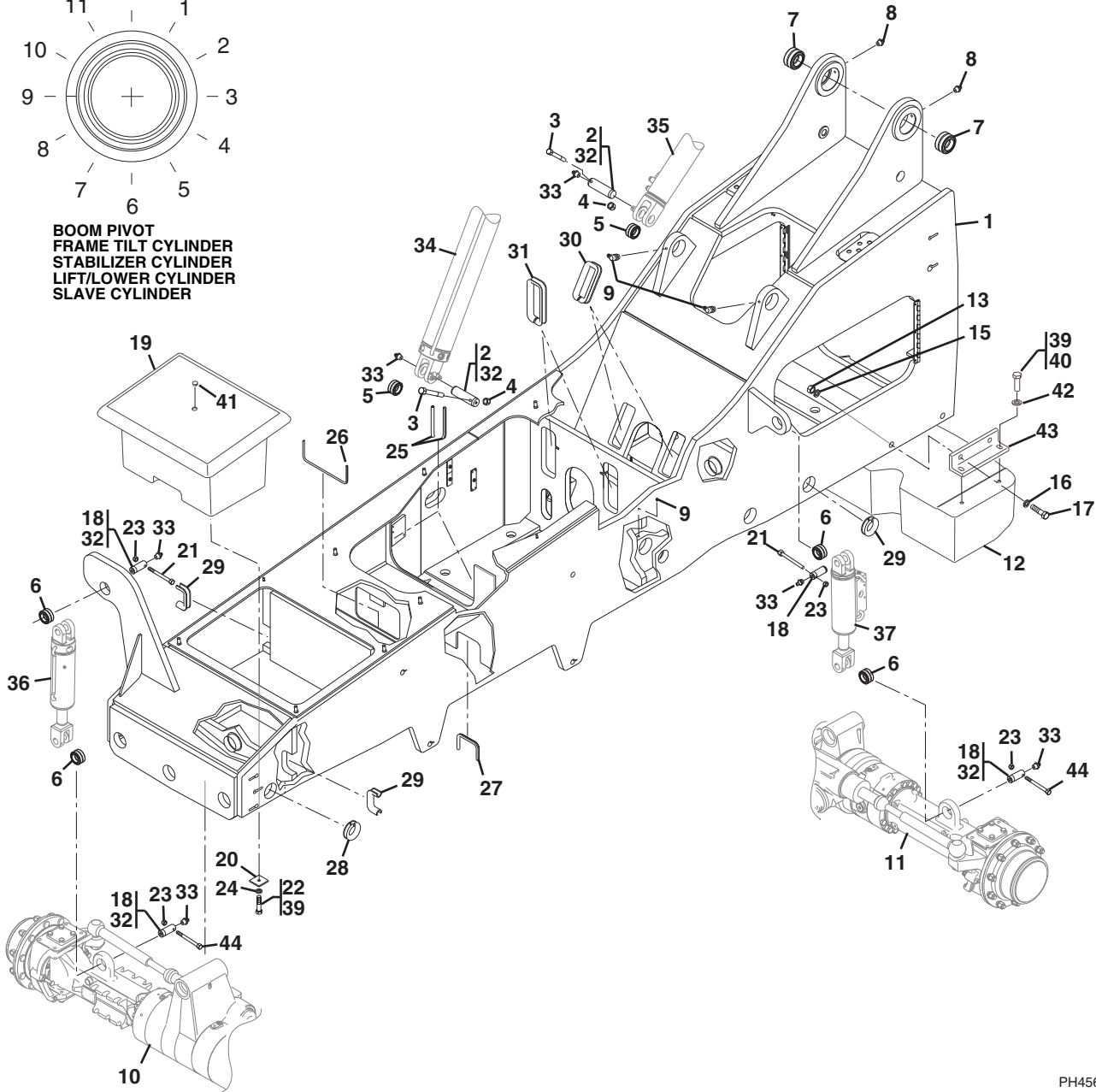
8042 S/N 0160033643 & After
10042 S/N 0160033650 & After
10054 S/N 0160033645 & After

Figure 1-1 Main Frame Components

LOCATE THE FRACTURE IN BEARING
OUTER RACE AT THE CLOCK POSITION
SHOWN FOR EACH APPLICATION



BOOM PIVOT
FRAME TILT CYLINDER
STABILIZER CYLINDER
LIFT/LOWER CYLINDER
SLAVE CYLINDER



PH4563



Figure 1-1 Main Frame Components

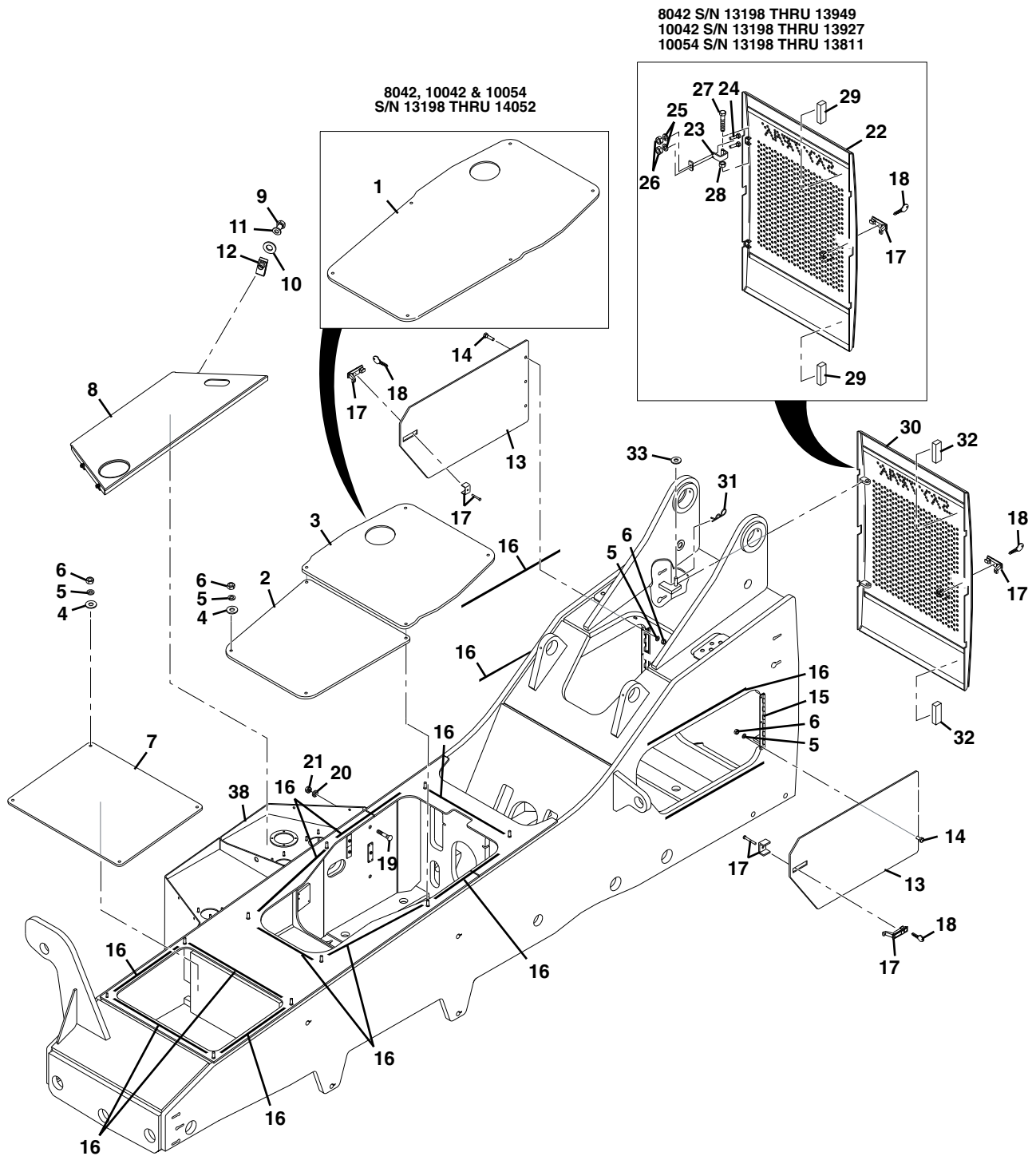
Item	Part Number	Qty.	Description	Rev.
1	NSS	1	FRAME WELDMENT	
2	3423227	4	LIFT/LOWER & SLAVE CYLINDER PINS, (base & rod ends)	
3	8303782	4	HEX HD CAPSCREW, 1/2-13X4.0, GR5	
4	8305644	4	HEX LOCKNUT, 1/2-13	
5	8065640	4	BEARING, (self align)	
6	8050001	4	BEARING, (self align)	
7	8065641	2	BEARING, (self align)	
8	8520013	2	GREASE FITTING, STRAIGHT	
9	8520021	4	GREASE FITTING, 90 DEGREES	
10		Ref	FRONT AXLE, (see Figure 5-2 for details)	
11		Ref	REAR AXLE, (see Figure 5-10 for details)	
12	1001094786	1	COUNTERWEIGHT	
13	8305021	4	HEX NUT, 1-8	
15	4762600	4	LOCKWASHER, 1	
16	4892600	4	FLAT WASHER, 1	
17	0642628	4	HEX HD CAPSCREW, 1-8X3-1/2	
18	7137142	4	TILT & STABIL-TRAK CYLINDER PINS	
19	1001094787	1	FRONT COUNTERWEIGHT, (8042 only)	
20	7139066	2	COUNTERWEIGHT HOLD DOWN PLATE, (8042 only)	
21	8303752	4	HEX HD CAPSCREW, 0.312-18X3.5	
22	0642216	2	HEX HD CAPSCREW, 0.750-10X2, GR5, (8042 only)	
23	8305626	4	HEX LOCKNUT, 0.312-18	
24	8307010	2	LOCKWASHER, 0.750, (8042 only)	
25	7125871	AR	CONDUIT, 0.50X8, (cut to fit)	
26	7138368	AR	CONDUIT, 0.25X2, (cut to fit)	
27	7124301	AR	CONDUIT, 0.5X15.5, (cut to fit)	
28	7124471	AR	CONDUIT, 1 DIA X12.5, (cut to fit)	
29	7124451	AR	CONDUIT, 1 IDX8, (cut to fit)	
30	7139157	AR	CONDUIT, 1 IDX4, (cut to fit)	
31	7139156	AR	CONDUIT, 1 IDX28, (cut to fit)	
32	8522012	AR	ANTI-SEIZE LUBE, (apply to items 2 & 24)	
33	8520001	8	GREASE FITTING, STRAIGHT	
34		Ref	BOOM LIFT & LOWER CYLINDER, (see Figure 9-2 for details)	
35		Ref	SLAVE CYLINDER, (see Figure 9-6 for details)	
36		Ref	FRAME SWAY CYLINDER, (see Figure 9-4 for details)	
37		Ref	STABIL-TRAK CYLINDER, (see Figure 9-5 for details)	
39	0100019	AR	LOCTITE® 271™, (apply to items 22 & 40)	
40	0642222	4	HEX HD CAPSCREW, 0.750-10X2-3/4	
41	3520030	1	PLUG, HOLE, (8042 only)	
42	4892200	4	FLAT WASHER, 0.750	
43	1001094877	2	COUNTERWEIGHT MOUNTING ANGLE	
44	8310039	2	HEX HD CAPSCREW, 5/16-18X3-3/4, GR5	



FRAME & ATTACHING PARTS

8042 S/N 13198 thru 0160029592
10042 S/N 13198 thru 0160029606
10054 S/N 13198 thru 0160029593

Figure 1-2 Hoods & Guards



PAP16430

PH3200

8042 S/N 13198 thru 0160029592
 10042 S/N 13198 thru 0160029606
 10054 S/N 13198 thru 0160029593

FRAME & ATTACHING PARTS



Figure 1-2 Hoods & Guards

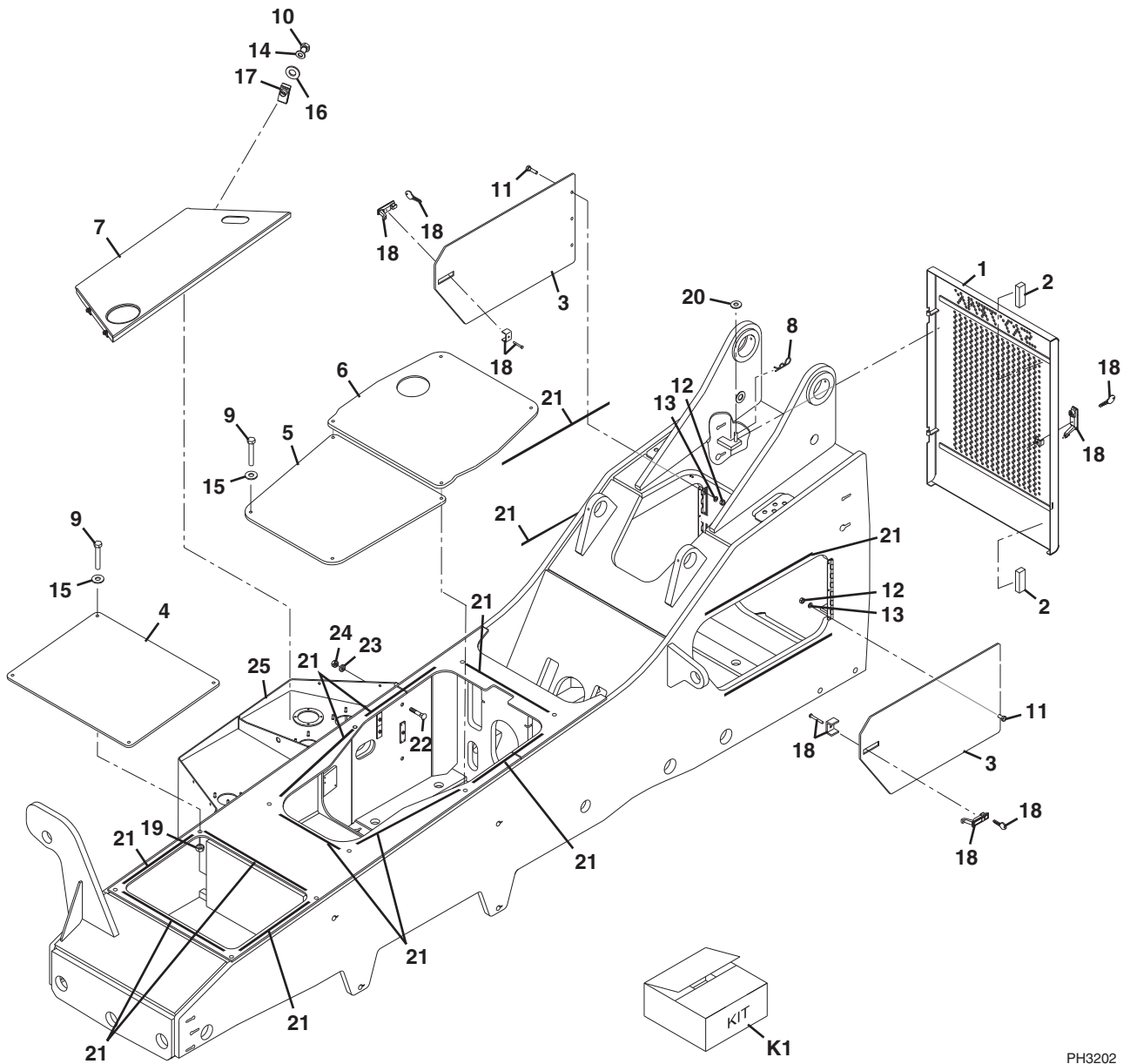
Item	Part Number	Qty.	Description	Rev.
1	7138730	Ref	TRANSMISSION COVER, (S/N 13198 thru 14052), (no longer available, use items 2 & 3 for replacement)	
2	7139406	1	LOWER TRANSMISSION COVER, (S/N 14053 thru 0160029592)	
3	7139407	1	UPPER TRANSMISSION COVER, (S/N 14053 thru 0160029592)	
4	8307202	10	FLAT WASHER, 1/4	
5	8307002	16	LOCKWASHER, 1/4	
6	8305004	16	HEX NUT, 1/4-20	
7	7139047	1	COUNTERWEIGHT COVER	
8	7150661	1	FUEL/HYDRAULIC TANK COVER	
9	8303656	4	HEX HD CAPSCREW, 5/16-18X7/8	
10	8307203	4	FLAT WASHER, 5/16	
11	8307004	4	LOCKWASHER, 5/16	
12	8310658	4	RETAINING NUT, 5/16	
13	7138709	2	SIDE ACCESS COVER	
14	8303729	6	HEX HD CAPSCREW, 1/4-20X5/8	
15	7094682	2	SIDE ACCESS COVER HINGE	
16	8581007	AR	FOAM TAPE, 230 IN, (sold by the inch)	
17	8342416	2	LATCH ASSY, WITH LOCK & KEY, (includes item 18)	
18	8342808	AR	KEY SET	
19	8310129	4	CARRIAGE BOLT, 5/8-11X2-1/2	
20	8307009	4	LOCKWASHER, 5/8	
21	8305014	4	HEX NUT, 5/8-11	
			(8042 S/N 13198 thru 13949), (10042 S/N 13198 thru 13927) & (10054 S/N 13198 thru 13811)	
22	7150692	1	RADIATOR COVER	
23	7150653	2	REAR DOOR HINGE	
24	8303540	4	HEX HD CAPSCREW, 1/4-20X1	
25	8307002	4	LOCKWASHER, 1/4	
26	8305004	4	HEX NUT, 1/4-20	
27	8303622	2	HEX HD CAPSCREW, 3/8-16X2	
28	8305008	2	HEX NUT, 3/8-16	
29	5724742	2	GASKET	
			(8042 S/N 13950 thru 0160029592), (10042 S/N 13928 thru 0160029592) & (10054 S/N 13812 thru 0160029592)	
30	7139462	1	RADIATOR COVER	
31	8302470	2	COTTER PIN	
32	5724742	2	GASKET	
33	10732150	AR	FLAT WASHER, M10	
38		Ref	FUEL/HYDRAULIC TANK ASSY, (see Figure 9-11 for details)	



FRAME & ATTACHING PARTS

8042 S/N 0160029593 & After
10042 S/N 0160029607 & After
10054 S/N 0160029594 & After

Figure 1-2 Hoods & Guards



PH3202

Figure 1-2 Hoods & Guards

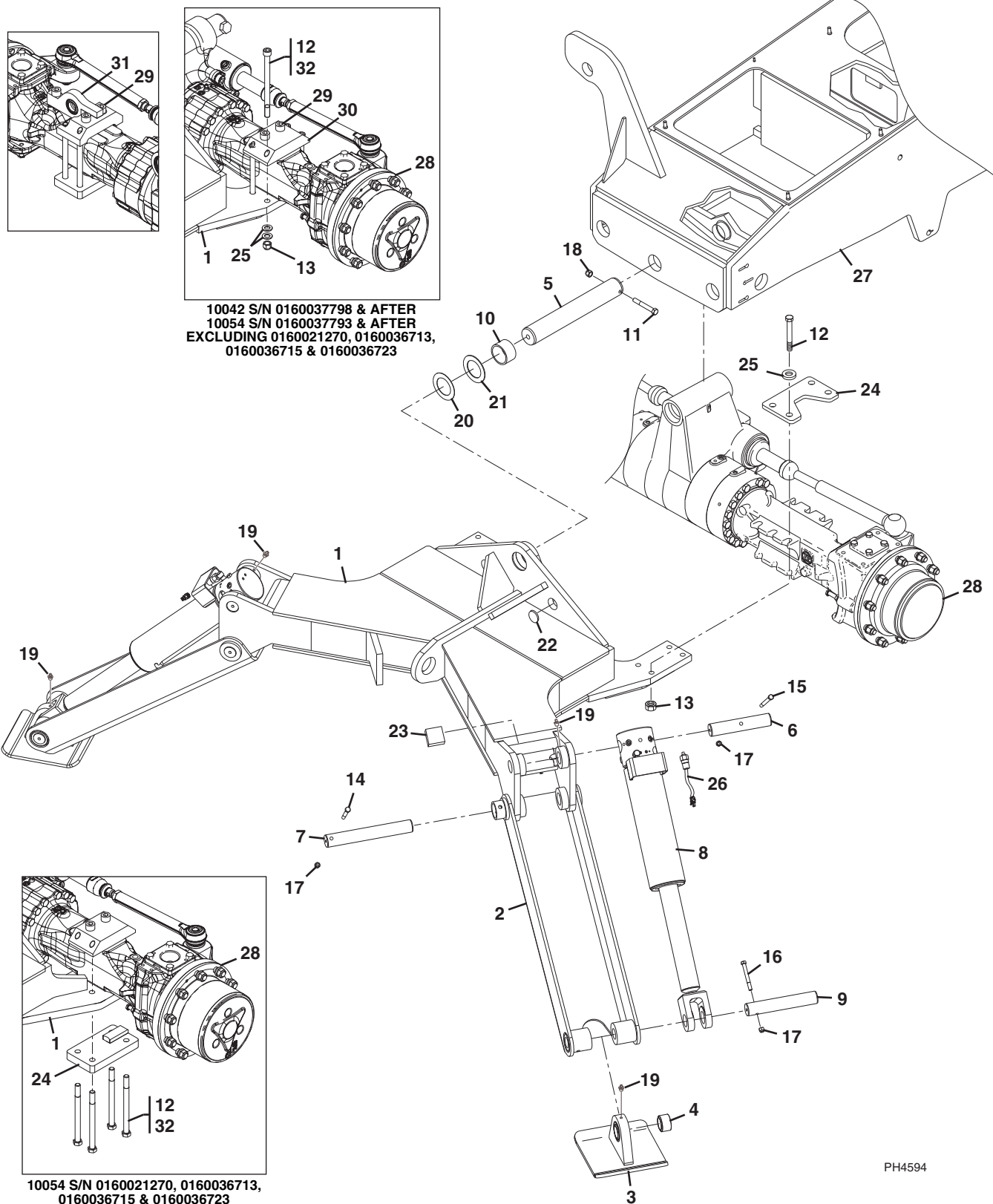
Item	Part Number	Qty.	Description	Rev.
1	1001094897	1	RADIATOR COVER, (S/N 0160031620 thru 0160040019)	
	1001125530	1	RADIATOR COVER, (S/N 0160040020 & After)	
2	90206196	AR	GASKET	
3	7138709	2	SIDE ACCESS COVER, (S/N 0160029593 thru 0160040219 excluding 0160039850, 0160040126 thru 0160040129 & 0160040171)	
	1001111568	1	LEFT SIDE ACCESS COVER, (S/N 0160040220 & After including 0160039850, 0160040126 thru 0160040129 & 0160040171)	
	1001111569	1	RIGHT SIDE ACCESS COVER, (S/N 0160040220 & After including 0160039850, 0160040126 thru 0160040129 & 0160040171)	
4	7139047	1	COUNTERWEIGHT COVER, (10042 & 10054)	
	7139047	1	COUNTERWEIGHT COVER, (8042 S/N 0160029593 thru 0160033643)	
5	7139406	1	LOWER TRANSMISSION COVER	
6	7139407	1	UPPER TRANSMISSION COVER	
7	7150661	1	FUEL/HYDRAULIC TANK COVER	
8	8302470	2	COTTER PIN	
9	8303615	10	HEX HD CAPSCREW, 1/4-20X1-1/4, GR5	
10	8303656	4	HEX HD CAPSCREW, 5/16-18X7/8	
11	8303729	6	HEX HD CAPSCREW, 1/4-20X5/8	
12	8305004	6	HEX NUT, 1/4-20	
13	8307002	16	LOCKWASHER, 1/4	
14	8307004	4	LOCKWASHER, 5/16	
15	8307202	10	FLAT WASHER, 1/4	
16	8307203	4	FLAT WASHER, 5/16	
17	8310658	4	RETAINING NUT, 5/16	
18	Use Kit K1	Ref	LATCH ASSY, WITH LOCK & KEY, (Before S/N 0160043513), (1001094075 is no longer available)	
	1001131179	3	LATCH ASSY, WITH LOCK & KEY, (S/N 0160043513 & After)	
	8342808	AR	KEY SET	
19	8580420	10	WELL NUT	
20	10732150	8	FLAT WASHER, M10	
21	4420037	AR	FOAM TAPE	
22	8310129	4	CARRIAGE BOLT, 5/8-11X2-1/2	
23	8307009	4	LOCKWASHER, 5/8	
24	8305014	4	HEX NUT, 5/8-11	
25		Ref	FUEL/HYDRAULIC TANK ASSY, (see Figure 9-11 for details)	
K1	1001132458	1	LATCH WITH PLATE REPLACEMENT KIT	



FRAME & ATTACHING PARTS

Figure 1-3 Outrigger Mounting

10042 & 10054



PH4594



Figure 1-3 Outrigger Mounting

Item	Part Number	Qty.	Description	Rev.
1	7138601	1	OUTRIGGER FRAME, (10042 Before S/N 0160038368), (10054 Before S/N 0160038740)	E
	1001110483	1	OUTRIGGER FRAME, (10042 S/N 0160038375, 0160038378, 0160038379, 0160038381 & 0160038383), (10054 S/N 0160021270, 0160036713, 0160036715, 0160036721 & 0160036723)	C
	1001107692	1	OUTRIGGER FRAME, (10042 S/N 0160038368 & After excluding 0160038375, 0160038378, 0160038379, 0160038381 & 0160038383), (10054 S/N 0160038740 & After excluding 0160021270, 0160036713, 0160036715, 0160036721 & 0160036723)	A
2	7091373	2	OUTRIGGER LEG	
3	7090822	2	OUTRIGGER PAD, (includes item 4)	
4	8065640	2	BEARING, (self align)	
5	7090832	1	AXLE PIVOT PIN, (10042 S/N 13198 thru 19987 & 0160002332 thru 0160018244), (10054 S/N 13198 thru 19987 & 0160002332 thru 0160018374)	
	3423248	1	AXLE PIVOT PIN, (10042 S/N 0160018395 & After), (10054 S/N 0160018382 & After)	
6	7090871	2	CYLINDER PIVOT PIN	
7	7090891	2	LEG PIVOT PIN	
8		Ref	OUTRIGGER CYLINDER, (see Figure 9-7 for details)	
9	7090951	2	PAD PIVOT PIN	
10	8065063	1	BUSHING, 3 IDX2	
11	8303655	1	HEX HD CAPSCREW, 5/8X4-1/2, GR5, (10042 S/N 13198 thru 19987 & 0160002332 thru 0160018244), (10054 S/N 13198 thru 19987 & 0160002332 thru 0160018374)	
	0642640	1	HEX HD CAPSCREW, 1-8X5, (10042 S/N 0160018395 & After), (10054 S/N 0160018382 & After)	
12	8310475	8	HEX HD CAPSCREW, 3/4X10, GR8, (torque to 260 lb-ft)	
	1001106346	8	SOC HD CAPSCREW, 3/4-10X11, GR8, (10042 S/N 0160038375, 0160038378, 0160038379, 0160038381 & 0160038383), (10054 S/N 0160021270, 0160036713, 0160036715, 0160036721 & 0160036723), (torque to 260 lb-ft)	
13	8310067	8	LOCKNUT, 3/4, (10042 Before S/N 0160038368 including 0160038375, 0160038378, 0160038379, 0160038381 & 0160038383), (10054 Before S/N 016008740 including 0160021270, 0160036713, 0160036715, 0160036721 & 0160036723)	
14	8303628	2	HEX HD CAPSCREW, 1/2X3-3/4, GR5	
15	8310151	2	HEX HD CAPSCREW, 1/2X7, GR5	
16	8303629	2	HEX HD CAPSCREW, 1/2X4-1/2, GR5	
17	8305644	6	LOCKNUT, 1/2	
18	8305643	1	LOCKNUT, 5/8, (10042 S/N 13198 thru 19987 & 0160002332 thru 0160018244), (10054 S/N 13198 thru 19987 & 0160002332 thru 0160018374)	
	8310116	1	LOCKNUT, 1/8, (10042 S/N 0160018395 & After), (10054 S/N 0160018382 & After)	
19	8520013	10	GREASE FITTING	
20	8307912	AR	SHIM, 0.06	
21	8307913	AR	SHIM, 0.12	
22	7124491	2	CONDUIT, 1 IDX15.5	
23	7125801	4	CONDUIT, 0.75 IDX4	
24	7138609	2	MOUNT PLATE, (10042 Before S/N 0160038368 including 0160038375, 0160038378, 0160038379, 0160038381 & 0160038383), (10054 Before S/N 0160038740 excluding 0160021270, 0160036713, 0160036715, 0160036721 & 0160036723)	



FRAME & ATTACHING PARTS

Figure 1-3 Outrigger Mounting (Continued)

Item	Part Number	Qty.	Description	Rev.
	1001107664	2	MOUNT PLATE, (10042 S/N 0160038368 & After excluding 0160038375, 0160038378, 0160038379, 0160038381 & 0160038383), (10054 S/N 0160038740 & After including 0160021270, 0160036713, 0160036715, 0160036721 & 0160036723)	
25	8307104	8	PLAIN WASHER, 3/4, (10042 Before S/N 0160038368), (10054 Before S/N 0160038740)	
	8307104	16	PLAIN WASHER, 3/4, (10042 S/N 0160038375, 0160038378, 0160038379, 0160038381 & 0160038383), (10054 S/N 0160021270, 0160036713, 0160036715, 0160036721 & 0160036723)	
26	8223536	2	PRESSURE SWITCH, (10054 only)	
27		Ref	MAIN FRAME, (see Figure 1-1 for details)	
28		Ref	FRONT AXLE, (see Figure 5-2 for details)	
29	1001103619	5	SOCKET HD CAPSCREW, M22X1.5X80, (10042 S/N 0160037798 & After), (10054 S/N 0160037793 & After)	
30	1001097046	1	MOUNTING BRACE, (10042 S/N 0160038375, 0160038378, 0160038379, 0160038381 & 0160038383), (10054 S/N 0160021270, 0160036713, 0160036715, 0160036721 & 0160036723)	
	1001107744	1	MOUNTING BRACE, (10042 S/N 0160038368 & After excluding 0160038375, 0160038378, 0160038379, 0160038381 & 0160038383), (10054 S/N 0160038740 & After excluding 0160021270, 0160036713, 0160036715, 0160036721 & 0160036723)	
31	1001105428	1	LUG, (10042 S/N 0160038375, 0160038378, 0160038379, 0160038381 & 0160038383), (10054 S/N 0160021270, 0160036713, 0160036715, 0160036721 & 0160036723)	
	1001107746	1	LUG, (10042 S/N 0160038368 & After excluding 0160038375, 0160038378, 0160038379, 0160038381 & 0160038383), (10054 S/N 0160038740 & After excluding 0160021270, 0160036713, 0160036715, 0160036721 & 0160036723)	
32	0100019	AR	LOCTITE® 271™	

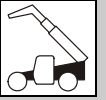


Figure 1-3 Outrigger Mounting (Continued)

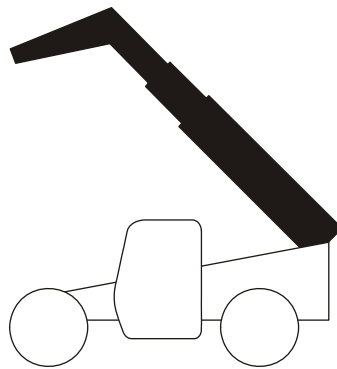
Item	Part Number	Qty.	Description	Rev.



FRAME & ATTACHING PARTS

This Page Intentionally Left Blank

SECTION 2 BOOM

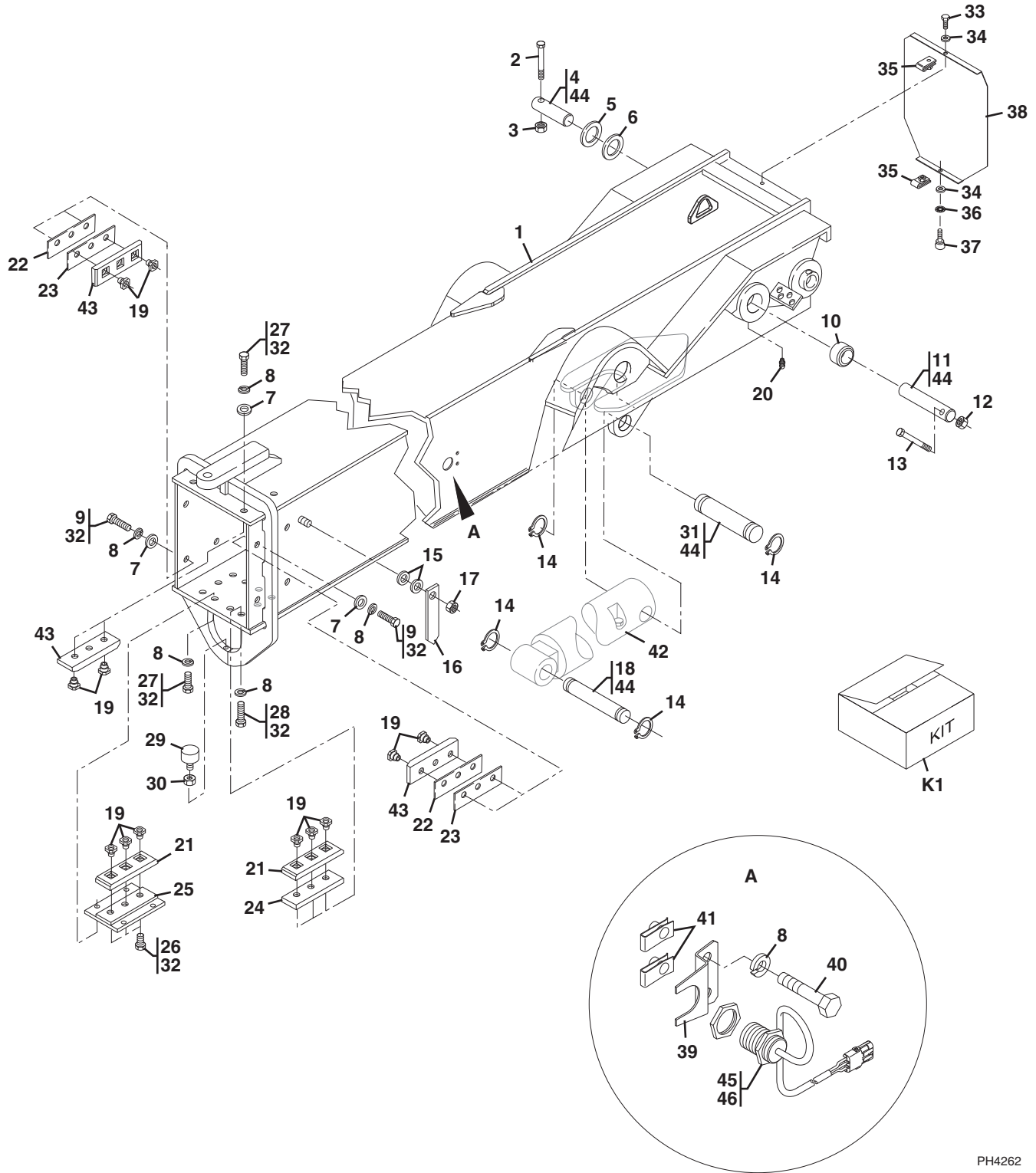




BOOM

S/N 13198 thru 19987
& 0160002332 thru 0160004670

Figure 2-1 First Boom Section



PH4262



Figure 2-1 First Boom Section

Item	Part Number	Qty.	Description	Rev.
1	Use Kit K1	1	FIRST BOOM SECTION, (see Figure 12-7 for details)	
2	8303655	2	HEX HD CAPSCREW, 5/8-11X4.50	
3	8305643	2	HEX LOCKNUT, 5/8-11	
4	7097682	2	BOOM PIVOT PIN	
5	8307910	AR	WASHER, SHIM, 2.75 DIA.X.075	
6	8307911	AR	WASHER, SHIM, 2.75 DIA.X.135	
7	8307204	12	FLAT WASHER, 3/8	
8	8307005	24	LOCKWASHER, 3/8	
9	8303681	8	HEX HD CAPSCREW, 3/8-16X3/4, (Loctite® & torque to 31 lb-ft)	
10	8065640	4	BEARING, 2 DIA, (self align)	
11	7092292	4	HOIST & SLAVE CYLINDER PINS	
12	8305644	4	HEX LOCKNUT, 1/2-13	
13	8303782	4	HEX HD CAPSCREW, 1/2-13X4	
14	8642224	4	RETAINING RING, 2 DIA	
15	8307113	2	FLAT WASHER, 7/16	
16	7075611	1	POINTER	
17	8305647	1	HEX LOCKNUT, 7/16-14	
18	7096562	1	EXTEND CYLINDER PIN, (rod end)	
19	7082311	21	WEAR PAD INSERT	
20	8520013	4	LUBE FITTING, STRAIGHT, 1/8	
21	7111572	3	WEAR PAD	
22	7082342	AR	SHIM, WEAR PAD, 0.07	
23	7082362	AR	SHIM, WEAR PAD, 0.13	
24	7096882	2	SPACER, WEAR PAD, 0.62	
25	7096772	1	SPACER, WEAR PAD, (special)	
26	8303041	3	HEX HD CAPSCREW, 3/8-16X1/2, (Loctite® & torque to 31 lb-ft)	
27	8303620	8	HEX HD CAPSCREW, 3/8-16X1, (Loctite® & torque to 31 lb-ft)	
28	8303621	6	HEX HD CAPSCREW, 3/8-16X1-1/2, (Loctite® & torque to 31 lb-ft)	
29	5724622	1	RUBBER BUMPER	
30	8305645	1	HEX LOCKNUT, 3/8-16	
31	7096552	1	EXTEND CYLINDER PIN, (base end)	
32	8526007	AR	LOCTITE® 242™, (apply to items 9, 26, 27 & 28)	
33	8303697	1	HEX HD CAPSCREW, 5/16-18X3/4	
34	8307106	2	FLAT WASHER, 5/16	
35	8305906	2	RETAINER NUT, 5/16-18	
36	8310431	1	LOCKWASHER, 5/16, (internal tooth)	
37	8310497	1	THUMB SCREW, 5/16-18X1.50	
38	7116792	1	REAR BOOM COVER	
39	7138468	1	PROXIMITY SWITCH CLIP	
40	8303738	2	HEX HD CAPSCREW, 0.375-16X.88	
41	8310113	2	CAGE NUT, 0.375-16	
42		Ref	EXTEND/RETRACT CYLINDER, (see Figure 9-1 for details)	
43	7079572	6	WEAR PAD	
44	8522012	AR	ANTI-SEIZE LUBE, (apply to items 4, 11, 18 & 31)	
45	7099882	1	BOOM ANGLE SENSOR, (8042 & 10042 only)	
46	7099882	2	BOOM ANGLE & BOOM INTERLOCK SENSOR, (10054 only)	



BOOM

S/N 13198 thru 19987
& 0160002332 thru 0160004670

Figure 2-1 First Boom Section (Continued)

Item	Part Number	Qty.	Description	Rev.
K1	7302086	1	FIRST BOOM SECTION SERVICE KIT	

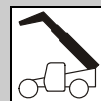


Figure 2-1 First Boom Section (Continued)

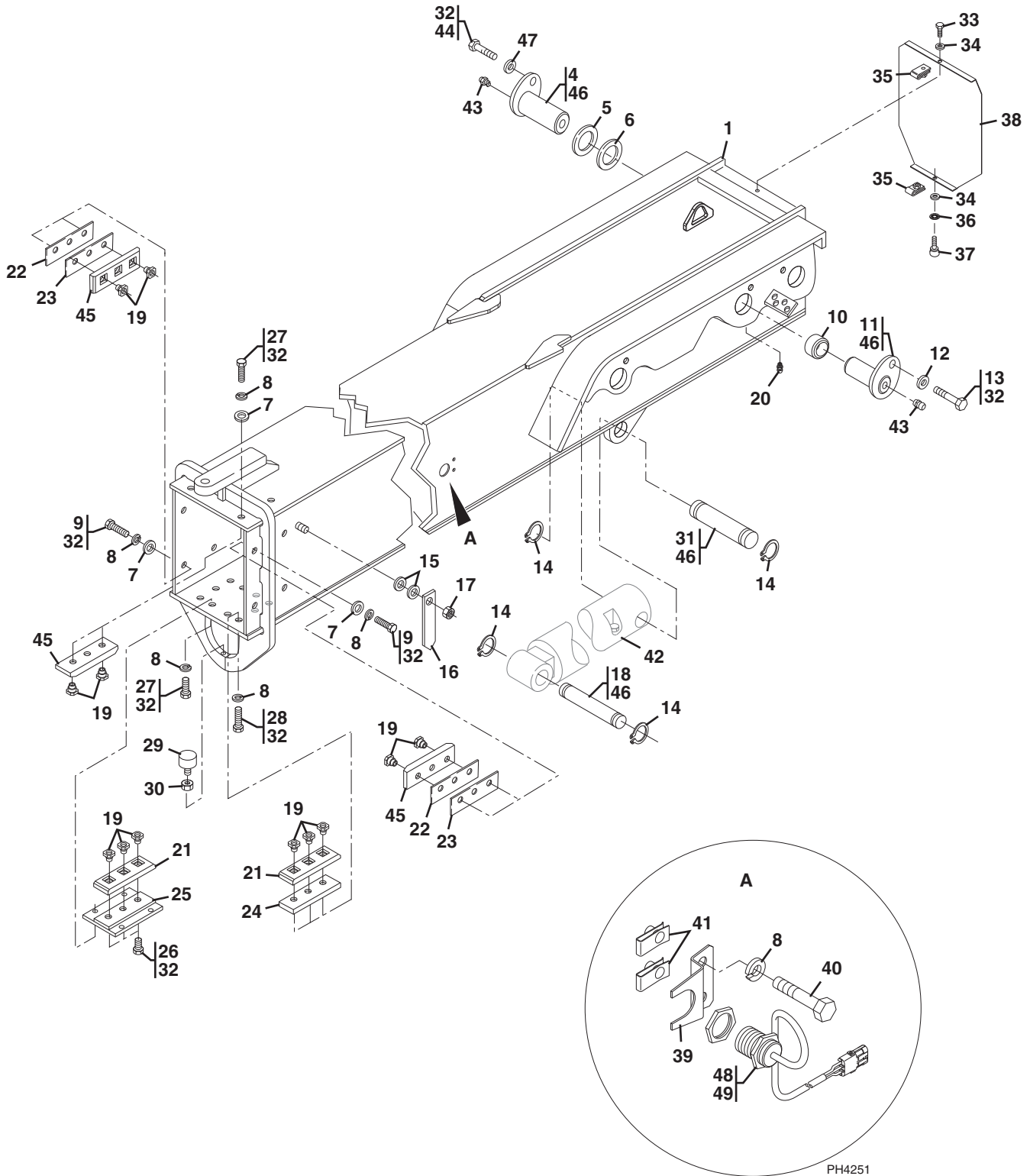
Item	Part Number	Qty.	Description	Rev.



BOOM

S/N 0160004671 thru 0160015024

Figure 2-1 First Boom Section



PH4251



Figure 2-1 First Boom Section

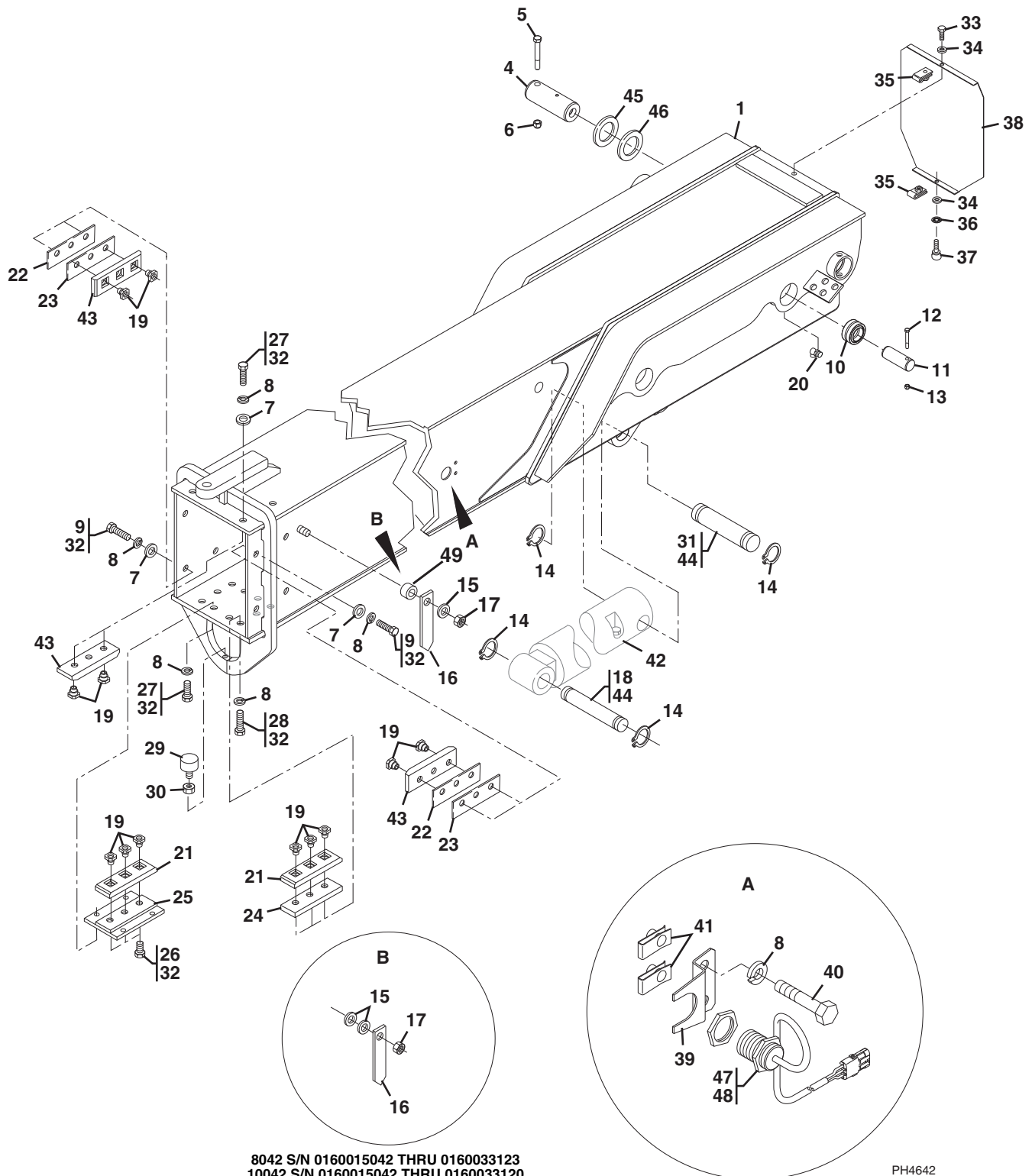
Item	Part Number	Qty.	Description	Rev.
1	7302010	1	FIRST BOOM SECTION	
4	7302024	2	BOOM PIVOT PIN	
5	8307910	AR	WASHER, SHIM, 2.75 DIA.X.075	
6	8307911	AR	WASHER, SHIM, 2.75 DIA.X.135	
7	8307204	12	FLAT WASHER, 3/8	
8	8307005	24	LOCKWASHER, 3/8	
9	8303681	8	HEX HD CAPSCREW, 3/8-16X3/4, (Loctite® & torque to 31 lb-ft)	
10	8065640	4	BEARING, 2 DIA, (self align)	
11	7302039	4	HOIST & SLAVE CYLINDER PINS	
12	8310056	4	PLAIN WASHER, 1/2	
13	8303625	4	HEX HD CAPSCREW, 1/2-13X1.25, GR5	
14	8642224	4	RETAINING RING, 2 DIA	
15	8307113	2	FLAT WASHER, 7/16	
16	7075611	1	POINTER	
17	8305647	1	HEX LOCKNUT, 7/16-14	
18	7096562	1	EXTEND CYLINDER PIN, (rod end)	
19	7082311	21	WEAR PAD INSERT	
20	8520013	4	LUBE FITTING, STRAIGHT, 1/8	
21	7111572	3	WEAR PAD	
22	7082342	AR	SHIM, WEAR PAD, (.07)	
23	7082362	AR	SHIM, WEAR PAD, (.13)	
24	7096882	2	SPACER, WEAR PAD, (.62)	
25	7096772	1	SPACER, WEAR PAD, (special)	
26	8303041	3	HEX HD CAPSCREW, 3/8-16X1/2, (Loctite® & torque to 31 lb-ft)	
27	8303620	8	HEX HD CAPSCREW, 3/8-16X1, (Loctite® & torque to 31 lb-ft)	
28	8303621	6	HEX HD CAPSCREW, 3/8-16X1-1/2, (Loctite® & torque to 31 lb-ft)	
29	5724622	1	RUBBER BUMPER	
30	8305645	1	HEX LOCKNUT, 3/8-16	
31	7096552	1	EXTEND CYLINDER PIN, (base end)	
32	8526007	AR	LOCTITE® 242™, (apply to items 9, 13, 26, 27 & 28)	
33	8303697	1	HEX HD CAPSCREW, 5/16-18X3/4	
34	8307106	2	FLAT WASHER, 5/16	
35	8305906	2	RETAINER NUT, 5/16-18	
36	8310431	1	LOCKWASHER, 5/16, (internal tooth)	
37	8310497	1	THUMB SCREW, 5/16-18X1.50	
38	7116792	1	REAR BOOM COVER	
39	7138468	1	PROXIMITY SWITCH CLIP	
40	8303738	2	HEX HD CAPSCREW, 0.375-16X.88	
41	8310113	2	CAGE NUT, 0.375-16	
42		Ref	EXTEND/RETRACT CYLINDER, (see Figure 9-1 for details)	
43	8520001	6	LUBE FITTING, 1/8	
44	8303712	2	HEX HD CAPSCREW, 5/8-11X1-1/2, GR5	
45	7079572	6	WEAR PAD	
46	8522012	AR	ANTI-SEIZE LUBE, (apply to items 4, 11, 18 & 31)	
47	8310058	2	PLAIN WASHER, 5/8	
48	7099882	1	BOOM ANGLE SENSOR, (8042 & 10042 only)	
49	7099882	2	BOOM ANGLE & BOOM INTERLOCK SENSOR, (10054 only)	



BOOM

S/N 0160015042 & After

Figure 2-1 First Boom Section



8042 S/N 0160015042 THRU 0160033123
 10042 S/N 0160015042 THRU 0160033120
 10054 S/N 0160015042 THRU 0160033122

PH4642

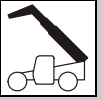


Figure 2-1 First Boom Section

Item	Part Number	Qty.	Description	Rev.
1	7302010	1	FIRST BOOM SECTION	
4	3423226	2	BOOM PIVOT PIN	
5	8303655	2	HEX HD CAPSCREW, 5/8-11X4-1/2, GR5	
6	8305643	2	LOCKNUT, 5/8-11	
7	8307204	12	FLAT WASHER, 3/8	
8	8307005	24	LOCKWASHER, 3/8	
9	8303681	8	HEX HD CAPSCREW, 3/8-16X3/4, (Loctite® & torque to 31 lb-ft)	
10	8065640	4	BEARING, 2 DIA, (self align)	
11	3423227	4	HOIST & SLAVE CYLINDER PINS	
12	8303782	4	HEX HD CAPSCREW, 1/2-13X4, GR5	
13	8305644	4	LOCKNUT, 1/2-13	
14	8642224	4	RETAINING RING, 2 DIA	
15	8307113	2	FLAT WASHER, 7/16, (8042 S/N 0160015042 thru 0160033123), (10042 S/N 0160015042 thru 0160033120), (10054 S/N 0160015042 thru 0160033122)	
	4711600	1	FLAT WASHER, 3/8, (8042 S/N 0160033124 & After), (10042 S/N 0160033121 & After), (10054 S/N 0160033123 & After)	
16	7075611	1	POINTER, (8042 S/N 0160015042 thru 0160033123), (10042 S/N 0160015042 thru 0160033120), (10054 S/N 0160015042 thru 0160033122)	
	1001098769	1	POINTER, (8042 S/N 0160033124 & After), (10042 S/N 0160033121 & After), (10054 S/N 0160033123 & After)	
17	8305647	1	HEX LOCKNUT, 7/16-14, (8042 S/N 0160015042 thru 0160033123), (10042 S/N 0160015042 thru 0160033120), (10054 S/N 0160015042 thru 0160033122)	
	8305645	1	HEX LOCKNUT, 3/8-16, (torque to 12 lb-ft), (8042 S/N 0160033124 & After), (10042 S/N 0160033121 & After), (10054 S/N 0160033123 & After)	
18	7096562	1	EXTEND CYLINDER PIN, (rod end)	
19	7082311	21	WEAR PAD INSERT	
20	8520003	4	LUBE FITTING, 90 DEGREES, 1/8	
21	7111572	3	WEAR PAD	
22	7082342	AR	SHIM, WEAR PAD, 0.07	
23	7082362	AR	SHIM, WEAR PAD, 0.13	
24	7096882	2	SPACER, WEAR PAD, 0.62	
25	7096772	1	SPACER, WEAR PAD, (special)	
26	8303041	3	HEX HD CAPSCREW, 3/8-16X1/2, (Loctite® & torque to 31 lb-ft)	
27	8303620	8	HEX HD CAPSCREW, 3/8-16X1, (Loctite® & torque to 31 lb-ft)	
28	8303621	6	HEX HD CAPSCREW, 3/8-16X1-1/2, (Loctite® & torque to 31 lb-ft)	
29	5724622	1	RUBBER BUMPER	
30	3311601	1	HEX LOCKNUT, 3/8-16, (apply item 32)	
31	7096552	1	EXTEND CYLINDER PIN, (base end)	
32	8526007	AR	LOCTITE® 242™, (apply to items 9, 13, 26, 27, 28 & 30)	
33	8303697	1	HEX HD CAPSCREW, 5/16-18X3/4	
34	8307106	2	FLAT WASHER, 5/16	
35	8305906	2	RETAINER NUT, 5/16-18	
36	8310431	1	LOCKWASHER, 5/16, (internal tooth)	
37	8310497	1	THUMB SCREW, 5/16-18X1.50	
38	7116792	1	REAR BOOM COVER	
39	7138468	1	PROXIMITY SWITCH CLIP	
40	8303738	2	HEX HD CAPSCREW, 0.375-16X.88	
41	8310113	2	CAGE NUT, 0.375-16	
42		Ref	EXTEND/RETRACT CYLINDER, (see Figure 9-1 for details)	

**BOOM****Figure 2-1 First Boom Section (Continued)**

Item	Part Number	Qty.	Description	Rev.
43	7079572	6	WEAR PAD	
44	8522012	AR	ANTI-SEIZE LUBE, (apply to items 4, 11, 18 & 31)	
45	8307910	AR	WASHER, SHIM, 2.75 DIAX.075	
46	8307911	AR	WASHER, SHIM, 2.75 DIAX.135	
47	7099882	1	BOOM ANGLE SENSOR, (8042 & 10042 only)	
48	7099882	2	BOOM ANGLE & BOOM INTERLOCK SENSOR, (10054 only)	
49	1001096404	1	SPACER, ANGLE INDICATOR, (8042 S/N 0160033124 & After), (10042 S/N 0160033121 & After), (10054 S/N 0160033123 & After)	



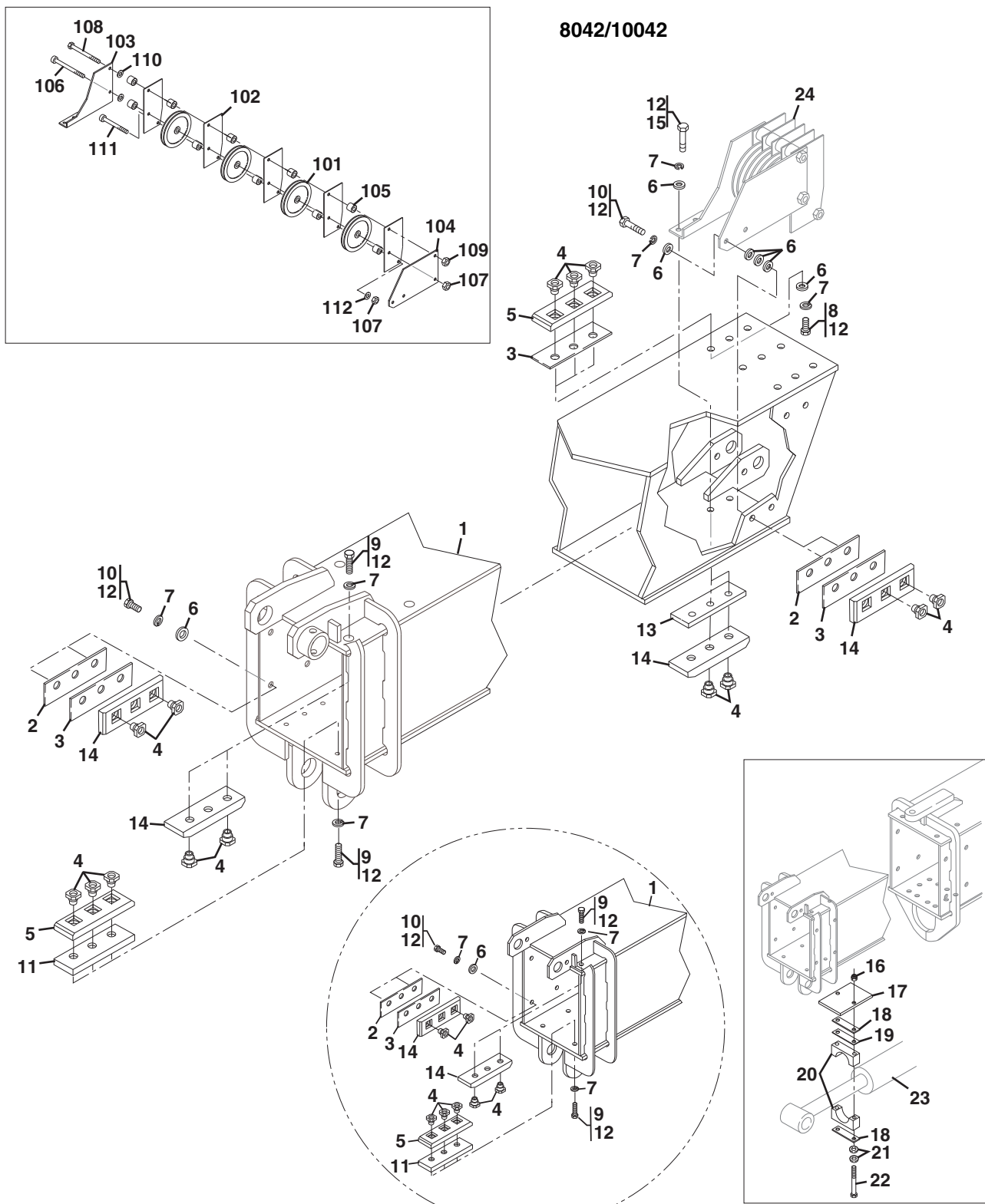
Figure 2-1 First Boom Section (Continued)

Item	Part Number	Qty.	Description	Rev.



BOOM

Figure 2-2 Second Boom Section



8042/10042

10042 S/N 13194 THRU 18405

8042 S/N 13198 THRU 19987 & 0160002332 THRU 0160033852
10042 S/N 13198 THRU 19987 & 0160002332 THRU 0160033701

PH4271

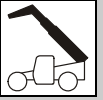


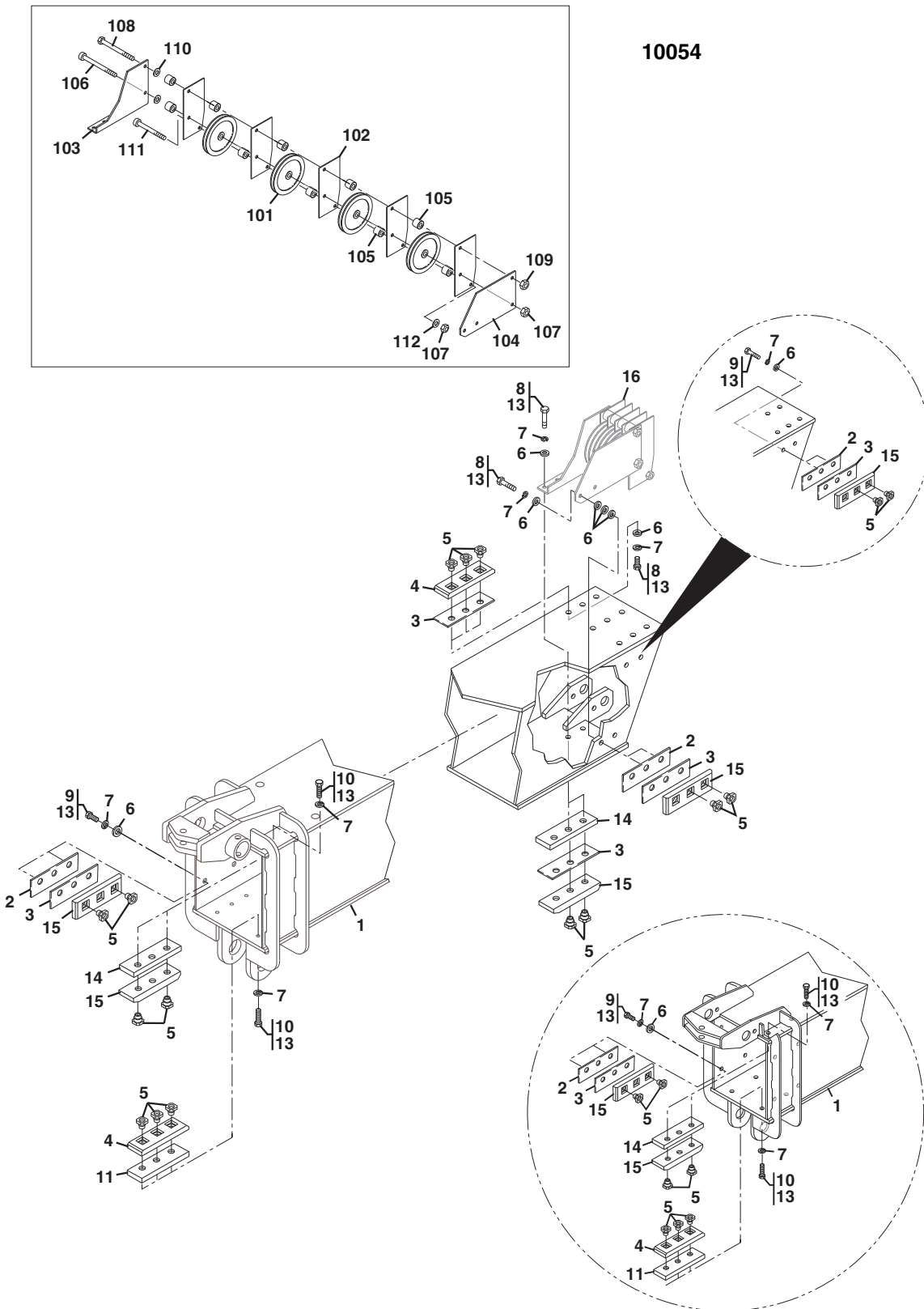
Figure 2-2 Second Boom Section

Item	Part Number	Qty.	Description	Rev.
1	7116784	Ref	SECOND BOOM SECTION, (8042 S/N 13198 thru 19987 & 0160002332 thru 0160033852), (10042 S/N 13198 thru 19987 & 0160002332 thru 0160033701), (no longer available, use 1001098089, 1001097735, 8305643 & 8303634 for replacement)	
	1001098089	1	SECOND BOOM SECTION, (8042 S/N 0160033853 & After), (10042 S/N 0160033702 & After)	
2	7082362	AR	SHIM, WEAR PAD, (.13)	
3	7082342	AR	SHIM, WEAR PAD, (.07)	
4	7082311	37	WEAR PAD INSERT	
5	7111572	5	WEAR PAD	
6	8307204	27	FLAT WASHER, 3/8	
7	8307005	37	LOCKWASHER, 3/8	
8	8303620	9	HEX HD CAPSCREW, 3/8-16X1, (Loctite® & torque to 31 lb-ft)	
9	8303621	10	HEX HD CAPSCREW, 3/8-16X1-1/2, (Loctite® & torque to 31 lb-ft)	
10	8303681	16	HEX HD CAPSCREW, 3/8-16X3/4, (Loctite® & torque to 31 lb-ft)	
11	7096882	2	WEAR PAD SPACER, (0.62 thick)	
12	8526036	AR	LOCTITE® 242™ (apply to items 8, 9, 10, 14 & 15)	
13	7096702	3	WEAR PAD SPACER, (0.5)	
14	7079572	11	WEAR PAD	
15	8303675	2	HEX HD CAPSCREW, 3/8-16X1-1/4, (Loctite® & torque to 31 lb-ft)	
16	8305643	2	HEX LOCKNUT, 5/8-11	
17	7110002	1	BOOM STOP PLATE	
18	8769159	2	COVER PLATE	
19	8769160	1	SAFETY PLATE	
20	8769158	1	SINGLE CLAMP, 3	
21	8307107	AR	FLAT WASHER, 5/8	
22	8303717	2	HEX HD CAPSCREW, 5/8-11X7-1/2, GR5	
23		Ref	EXTEND/RETRACT CYLINDER, (see Figure 9-1 for details)	
24	7116733	1	HOSE PULLEY ASSY, (includes items 101 thru 112)	C
101	7116812	4	ROLLER PULLEY	
102	7116642	5	DIVIDER	
103	7116652	1	BRACKET, (right side)	
104	7116662	1	BRACKET, (left side)	
105	7116691	10	SPACER	
106	8310235	1	SHOULDER SCREW, 1/2X5	
107	8305645	2	LOCKNUT, 3/8-16	
108	8310209	1	HEX HD CAPSCREW, 1/2-13X6	
109	8305644	1	LOCKNUT, 1/2-13	
110	8307206	2	FLAT WASHER, 1/2	
111	8310245	1	SHOULDER SCREW, 1/2X4	
112	8307204	1	FLAT WASHER, 3/8	



BOOM

Figure 2-2 Second Boom Section



S/N 13198 THRU 19987 &
016002332 THRU 0160033854 PH4382



Figure 2-2 Second Boom Section

Item	Part Number	Qty.	Description	Rev.
1	7118854	Ref	SECOND BOOM SECTION, (10054), (S/N 13198 thru 19987 & 0160002332 thru 0160033854), (no longer available, use 1001097721, 1001097735, 8305643 & 8303634 for replacement)	
	1001097721	1	SECOND BOOM SECTION, (S/N 0160033855 & After)	
2	7082362	AR	SHIM, WEAR PAD, 0.13	
3	7082342	AR	SHIM, WEAR PAD, 0.075	
4	7111572	5	WEAR PAD	
5	7082311	36	WEAR PAD INSERT	
6	8307204	26	FLAT WASHER, 3/8	
7	8307005	36	LOCKWASHER, 3/8	
8	8303620	8	HEX HD CAPSCREW, 3/8-16X1, (Loctite® & torque to 31 lb-ft)	
9	8303681	14	HEX HD CAPSCREW, 3/8-16X3/4, (Loctite® & torque to 31 lb-ft)	
10	8303621	12	HEX HD CAPSCREW, 3/8-16X1-1/2, (Loctite® & torque to 31 lb-ft)	
11	7096882	2	SPACER, WEAR PAD, 0.62	
13	8526007	AR	LOCTITE® 242™, (apply to items 8, 9 & 10)	
14	7096702	3	SPACER, WEAR PAD, (1/2)	
15	7079572	11	WEAR PAD	
16	7116733	1	HOSE PULLEY ASSY, (includes items 101 thru 112)	C
101	7116812	4	ROLLER PULLEY	
102	7116642	5	DIVIDER	
103	7116652	1	BRACKET, (right side)	
104	7116662	1	BRACKET, (left side)	
105	7116691	10	SPACER	
106	8310235	1	SHOULDER SCREW, 1/2X5	
107	8305645	2	LOCKNUT, 3/8-16	
108	8310209	1	HEX HD CAPSCREW, 1/2-13X6	
109	8305644	1	LOCKNUT, 1/2-13	
110	8307206	2	FLAT WASHER, 1/2	
111	8310245	1	SHOULDER SCREW, 1/2X4	
112	8307204	1	FLAT WASHER, 3/8	



BOOM

Figure 2-3 Third Boom Section

8042/10042

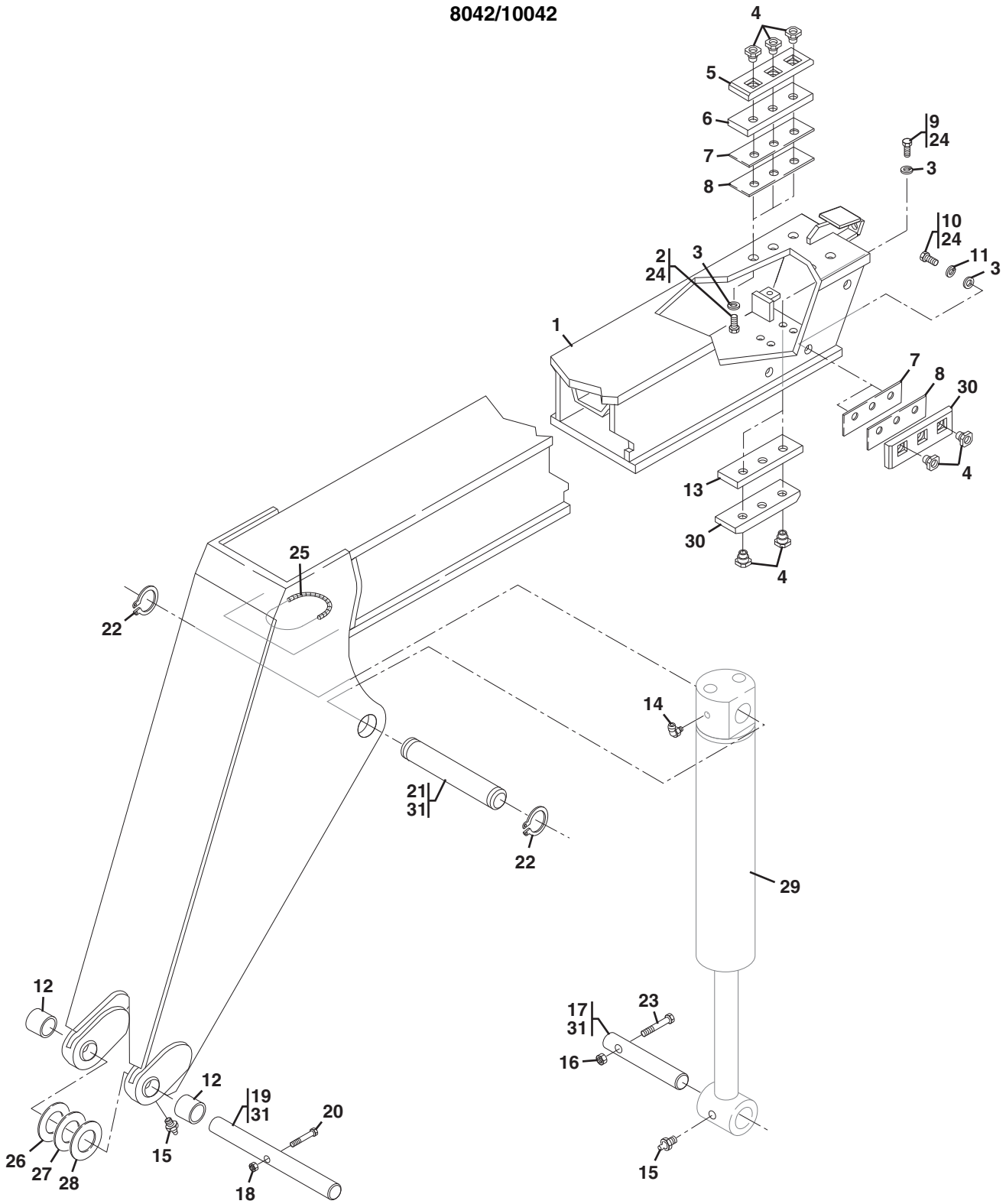




Figure 2-3 Third Boom Section

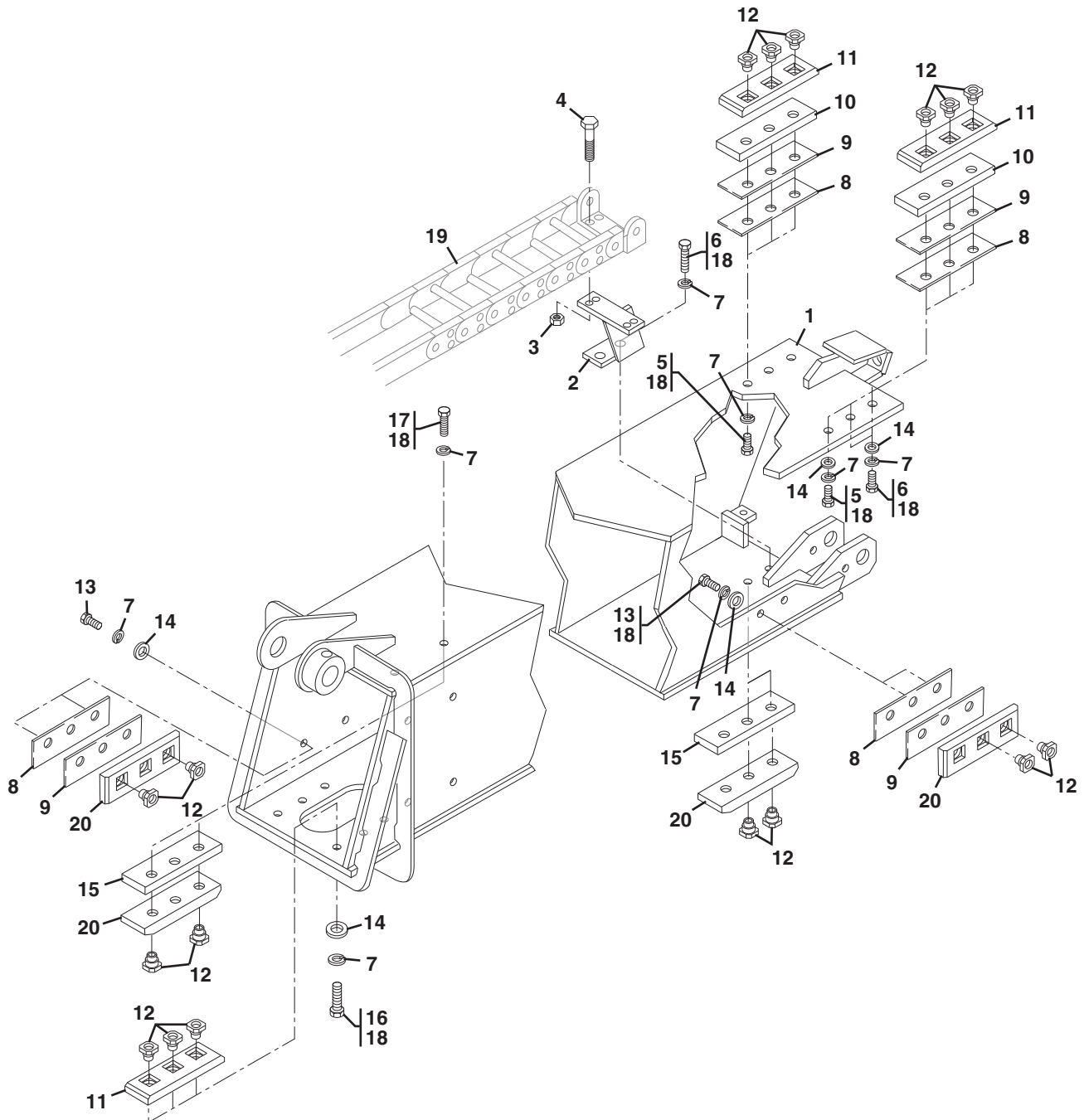
Item	Part Number	Qty.	Description	Rev.
1	7117113	1	THIRD BOOM SECTION	
2	8303679	6	HEX HD CAPSCREW, 3/8-16X1-3/4, (Loctite® & torque to 31 lb-ft)	
3	8307005	16	LOCKWASHER, 3/8	
4	7082311	16	WEAR PAD INSERT	
5	7111572	2	WEAR PAD	
6	7096882	2	SPACER, WEAR PAD, 0.62	
7	7082362	AR	SHIM, WEAR PAD, 0.13	
8	7082342	AR	SHIM, WEAR PAD, 0.07	
9	8303675	2	HEX HD CAPSCREW, 3/8-16X1-1/4, (Loctite® & torque to 31 lb-ft)	
10	8303681	8	HEX HD CAPSCREW, 3/8-16X3/4, (Loctite® & torque to 31 lb-ft)	
11	8307204	8	FLAT WASHER, 3/8	
12	7095312	2	QUICK ATTACH PIVOT BUSHING	
13	7096702	1	SPACER, WEAR PAD, 0.5	
14	8520021	1	LUBE FITTING, 90 DEGREES, 1/8	
15	8520013	3	LUBE FITTING, STRAIGHT, 1/8	
16	8305644	1	HEX LOCKNUT, 1/2-13	
17	7083992	1	ATTACHMENT TILT CYLINDER PIN, (rod end)	
18	8305643	1	HEX LOCKNUT, 5/8-11	
19	7095352	1	QUICK ATTACH PIVOT PIN	
20	8303666	1	HEX HD CAPSCREW, 5/8-11X5	
21	7095522	1	ATTACHMENT TILT CYLINDER PIN, (base end)	
22	8642224	2	RETAINING RING, 2 DIA	
23	8303772	1	HEX HD CAPSCREW, 1/2-13X5	
24	8526036	AR	LOCTITE® 242™, (apply to items 2, 9 & 10)	
25	7125811	1	PLASTIC CONDUIT, 3/4X8	
26	8307918	2	WASHER, SHIM 2X3.5X.134	
27	8310093	AR	WASHER, SHIM 2X3.5X.75	
28	8307904	AR	WASHER, SHIM 2X3.5X.048	
29		Ref	ATTACHMENT TILT CYLINDER, (see Figure 9-3 for details)	
30	7079572	5	WEAR PAD	
31	8522012	AR	ANTI-SEIZE LUBE, (apply to items 17, 19 & 21)	



BOOM

Figure 2-3 Third Boom Section

10054



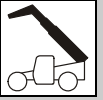


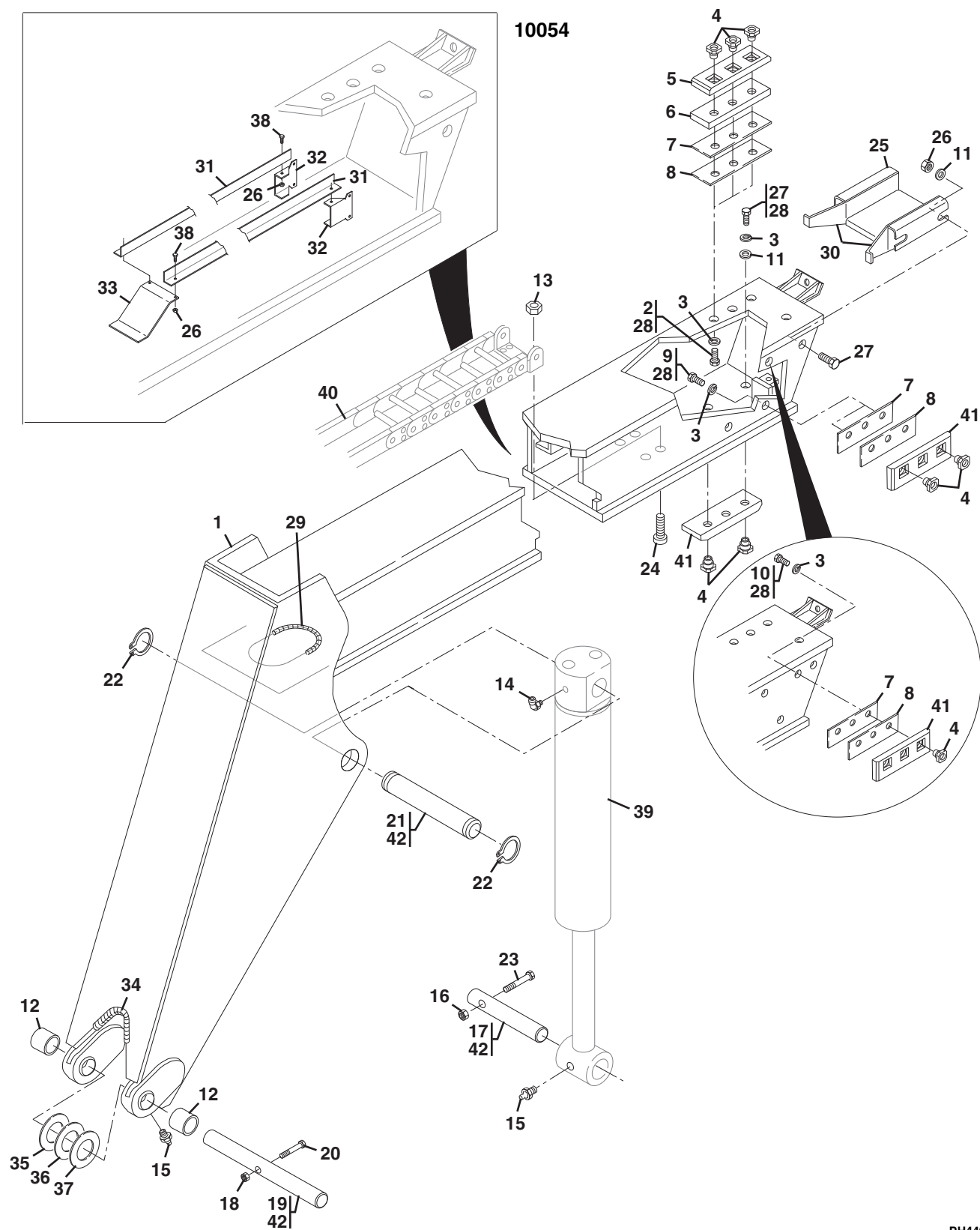
Figure 2-3 Third Boom Section

Item	Part Number	Qty.	Description	Rev.
1	7117414	1	THIRD BOOM SECTION	
2	7112732	1	HOSE CLAMP SUPPORT	
3	8305624	4	HEX LOCKNUT, 1/4-20	
4	8310026	4	HEX HD CAPSCREW, 1/4-20X3/4	
5	8303679	4	HEX HD CAPSCREW, 3/8-16X1-3/4, (Loctite® & torque to 31 lb-ft)	
6	8303622	2	HEX HD CAPSCREW, 3/8-16X2, (Loctite® & torque to 31 lb-ft)	
7	8307005	34	LOCKWASHER, 3/8	
8	7082362	AR	SHIM, WEAR PAD, 0.13	
9	7082342	AR	SHIM, WEAR PAD, 0.07	
10	7096882	2	SPACER, WEAR PAD, 0.62	
11	7111572	5	WEAR PAD	
12	7082311	34	WEAR PAD INSERT	
13	8303681	16	HEX HD CAPSCREW, 3/8-16X3/4, (Loctite® & torque to 31 lb-ft)	
14	8307204	25	FLAT WASHER, 3/8	
15	7096702	3	SPACER, WEAR PAD, 0.50	
16	8303620	6	HEX HD CAPSCREW, 3/8-16X1, (Loctite® & torque to 31 lb-ft)	
17	8303621	4	HEX HD CAPSCREW, 3/8-16X1-1/2, (Loctite® & torque to 31 lb-ft)	
18	8526036	AR	LOCTITE® 242™, (apply to items 5, 6, 13, 16 & 17)	
19		Ref	HOSE CARRIER, (see Figure 8-3 for details)	
20	7079572	11	WEAR PAD	



BOOM

Figure 2-4 Fourth Boom Section



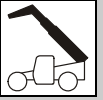


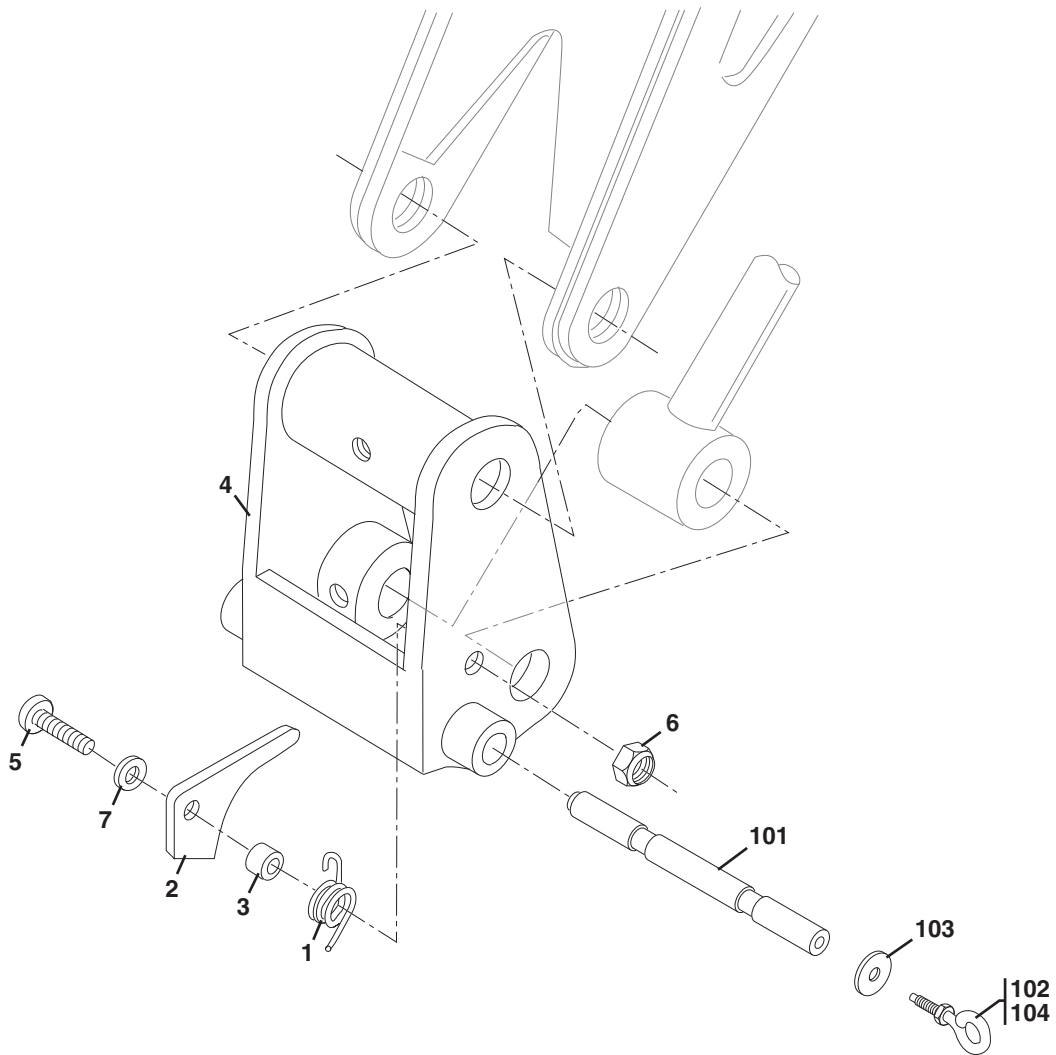
Figure 2-4 Fourth Boom Section

Item	Part Number	Qty.	Description	Rev.
1	7117133	1	FOURTH BOOM SECTION	
2	8303621	6	HEX HD CAPSCREW, 3/8-16X1-1/2, (Loctite® & torque to 31 lb-ft)	
3	8307005	16	LOCKWASHER, 3/8	
4	7082311	16	WEAR PAD INSERT	
5	7111572	7	WEAR PAD	
6	7096702	2	SPACER, WEAR PAD, 0.50	
7	7082362	AR	SHIM, WEAR PAD, 0.13	
8	7082342	AR	SHIM, WEAR PAD, 0.07	
9	8303681	6	HEX HD CAPSCREW, 3/8-16X3/4, (lower left & right side - all fasteners & upper left & right side - front fasteners only)	
10	8303620	2	HEX HD CAPSCREW, 3/8-16X1, (upper left & right side - rear fasteners only)	
11	8307204	6	FLAT WASHER, 3/8	
12	7095312	2	QUICK ATTACH PIVOT BUSHING	
13	8305624	4	HEX LOCKNUT, 1/4-20	
14	8520021	1	LUBE FITTING, 90 DEGREES, 1/8	
15	8520013	3	LUBE FITTING, STRAIGHT, 1/8	
16	8305644	1	HEX LOCKNUT, 1/2-13	
17	7083992	1	ATTACHMENT TILT CYLINDER PIN, (rod end)	
18	8305643	1	HEX LOCKNUT, 5/8-11	
19	7095352	1	QUICK ATTACH PIVOT PIN	
20	8303666	1	HEX HD CAPSCREW, 5/8-11X5	
21	7095522	1	ATTACHMENT TILT CYLINDER PIN, (base end)	
22	8642224	2	RETAINING RING, 2 DIA	
23	8303772	1	HEX HD CAPSCREW, 1/2-13X5	
24	8303540	4	HEX HD CAPSCREW, 1/4-20X1	
25	7114922	1	GUIDE	
26	8305645	6	HEX LOCKNUT, 3/8-16	
27	8303620	2	HEX HD CAPSCREW, 3/8-16X1, (Loctite® & torque to 31 lb-ft)	
28	8526036	AR	LOCTITE® 242™; (apply to items 2, 9, 10 & 27)	
29	7125811	1	PLASTIC CONDUIT, 3/4X8	
30	5746411	2	MOLDING, 3	
31	7110172	2	HOSE CARRIER GUIDE	
32	7127862	2	GUIDE SUPPORT, (rear)	
33	7127852	1	GUIDE SUPPORT, (front)	
34	7125741	1	EDGE PROTECTOR MOLDING	
35	8307918	2	WASHER, SHIM 2X3.5X.134	
36	8310093	AR	WASHER, SHIM 2X3.5X.075	
37	8307904	AR	WASHER, SHIM 2X3.5X.048	
38	8303738	4	HEX HD CAPSCREW, 3/8-16X.88	
39		Ref	ATTACHMENT TILT CYLINDER, (see Figure 9-3 for details)	
40		Ref	HOSE CARRIER, (see Figure 8-3 for details)	
41	7079572	4	WEAR PAD	
42	8522012	AR	ANTI-SEIZE LUBE, (apply to items 17, 19 & 21)	



BOOM

Figure 2-5 Quick Attach



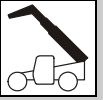


Figure 2-5 Quick Attach

Item	Part Number	Qty.	Description	Rev.
	7139864	1	QUICK ATTACH ASSY, (includes items 1 thru 7)	B
1	7085552	1	TORSION SPRING	
2	7085562	1	LATCH	
3	7085571	1	SPACER	
4	7139863	1	QUICK ATTACH	
5	8303638	1	HEX HD CAPSCREW, 3/4-10X2-3/4	
6	8305619	1	HEX LOCKNUT, 3/4-10	
7	8307104	1	FLAT WASHER, 3/4	
	7118892	1	LOCK PIN ASSY, (includes items 101 thru 104)	B
101	7118882	1	PIN	
102	8310266	1	SHANK BOLT EYE, 1/2-13X2	
103	8310276	1	FLAT WASHER, 0.51X1.88X0.125	
104	8526007	AR	LOCTITE® 242™, (apply to item 101)	



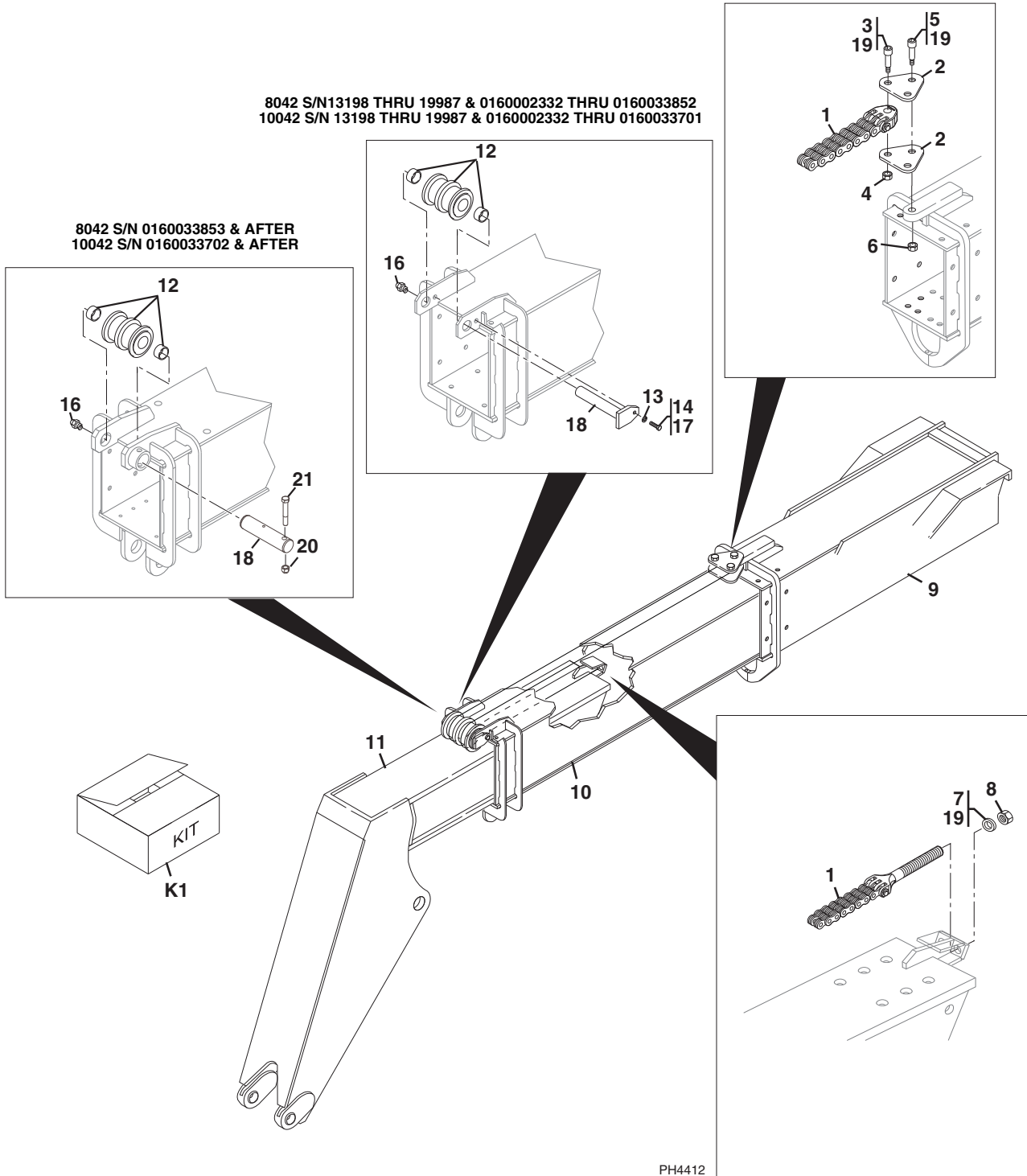
BOOM

Figure 2-6 Boom Extend Chains

8042/10042

8042 S/N 13198 THRU 19987 & 0160002332 THRU 0160033852
10042 S/N 13198 THRU 19987 & 0160002332 THRU 0160033701

8042 S/N 0160033853 & AFTER
10042 S/N 0160033702 & AFTER



PH4412



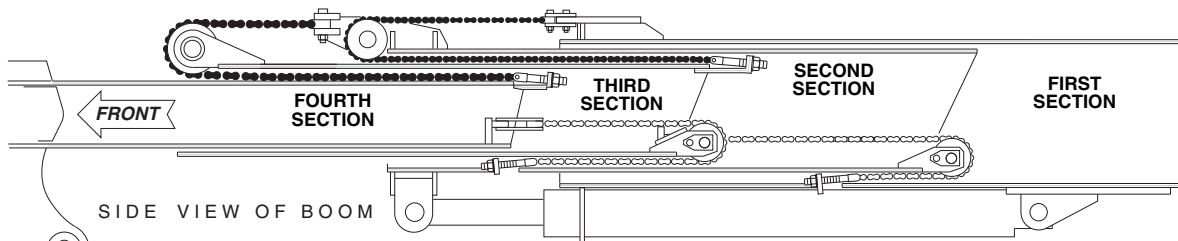
Figure 2-6 Boom Extend Chains

Item	Part Number	Qty.	Description	Rev.
1	Use Kit K1	2	EXTEND CHAIN & CLEVIS ASSY, 194.25 IN LONG	
2	7139180	2	EXTEND CHAIN YOKE	
3	8310019	2	SOCKET HD SHOULDER SCREW, 1/2X1-1/2X3/8-16	
4	8305645	2	HEX LOCKNUT, 3/8-16	
5	8310020	1	SOCKET HD SHOULDER SCREW, 5/8X1-1/2X1/2-13	
6	8305644	1	HEX LOCKNUT, 1/2-13	
7	8307104	2	PLAIN WASHER, 3/4	
8	8305646	2	HEX LOCKNUT, 3/4-16	
9		Ref	FIRST BOOM SECTION, (see Figure 2-1 for details)	
10		Ref	SECOND BOOM SECTION, (see Figure 2-2 for details)	
11		Ref	THIRD BOOM SECTION, (see Figure 2-3 for details)	
12	1001101845	1	BUSHING SHEAVE ASSY	
	7114112	1	EXTEND CHAIN SHEAVE	
	7126662	2	CHAIN SHEAVE BUSHING	
13	8307007	1	LOCKWASHER, 1/2, (8042 S/N 13198 thru 19987 & 0160002332 thru 0160033852), (10042 S/N 13198 thru 19987 & 0160002332 thru 0160033701)	
14	8303624	1	HEX HD CAPSCREW, 1/2-13X1, (8042 S/N 13198 thru 19987 & 0160002332 thru 0160033852), (10042 S/N 13198 thru 19987 & 0160002332 thru 0160033701)	
16	8520001	1	LUBE FITTING, STRAIGHT, 1/8	
17	8526036	AR	LOCTITE® 242™; (apply to item 14)	
18	7117572	1	EXTEND CHAIN SHEAVE PIN, (8042 S/N 13198 thru 19987 & 0160002332 thru 0160033852), (10042 S/N 13198 thru 19987 & 0160002332 thru 0160033701)	
	1001097735	1	EXTEND CHAIN SHEAVE PIN, (8042 S/N 0160033853 & After), (10042 S/N 0160033702 & After)	
19	8522012	AR	ANTI-SEIZE LUBE, (apply to items 3, 5 & 7)	
20	8305643	1	HEX LOCKNUT, 5/8-11, (8042 S/N 0160033853 & After), (10042 S/N 0160033702 & After)	
21	8303634	1	HEX HD CAPSCREW, 5/8-11X4, (8042 S/N 0160033853 & After), (10042 S/N 0160033702 & After)	
K1	8024032	1	EXTEND CHAINS SERVICE KIT, (includes items 1 thru 8)	



BOOM

Figure 2-6 Boom Extend Chains



10054

S/N 0160033855 & AFTER

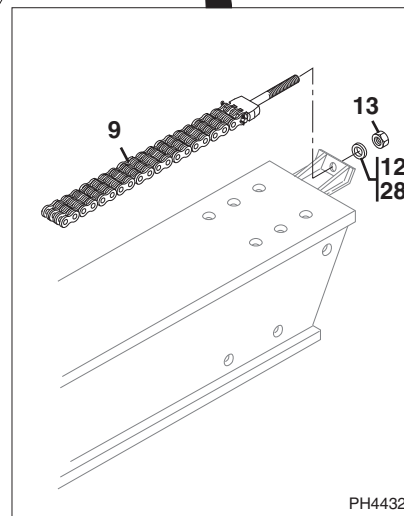
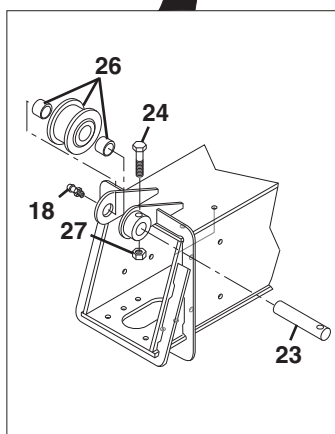
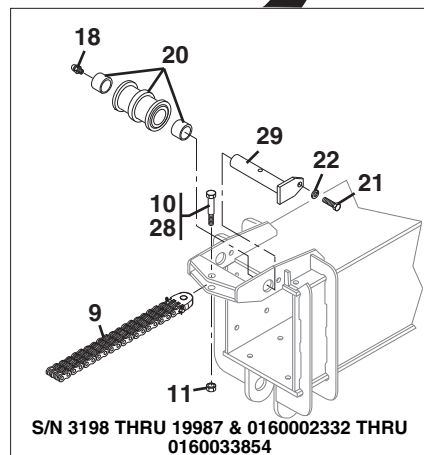
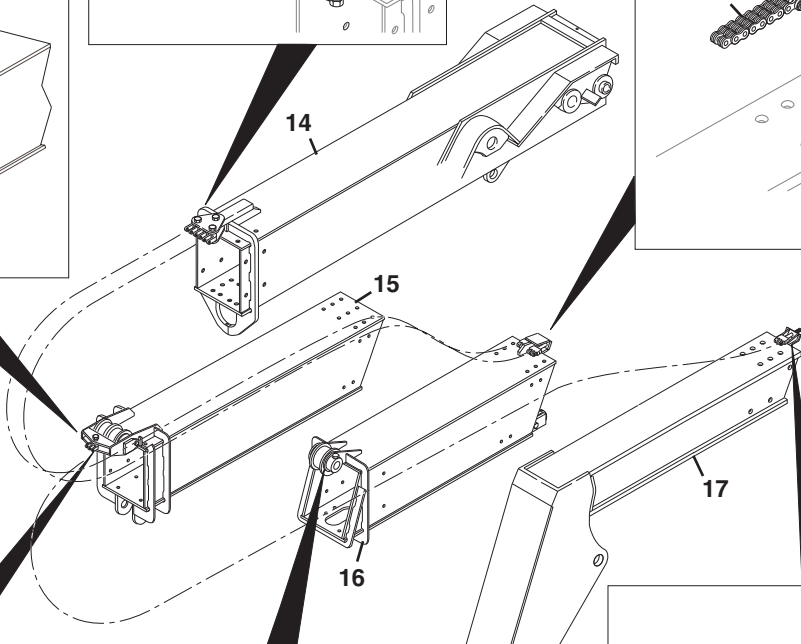
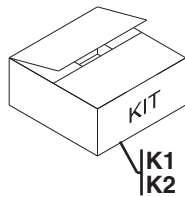
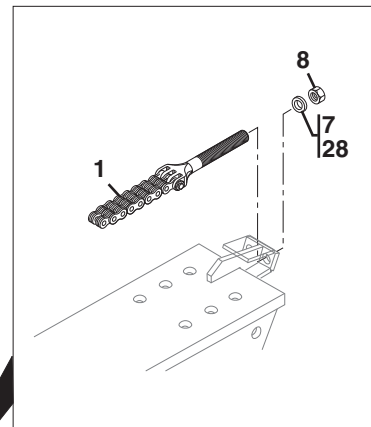
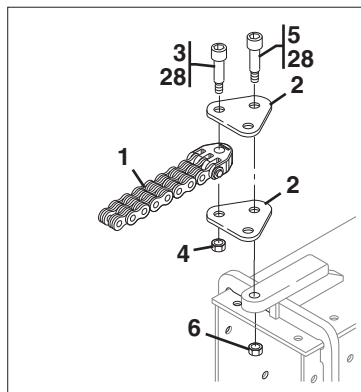
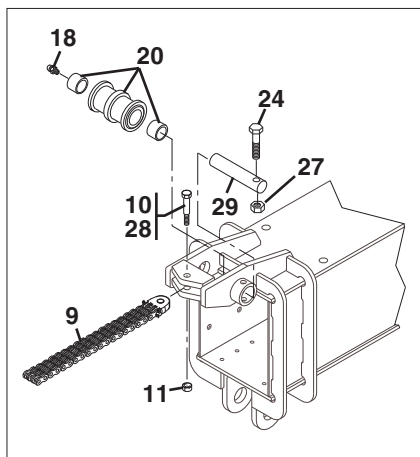




Figure 2-6 Boom Extend Chains

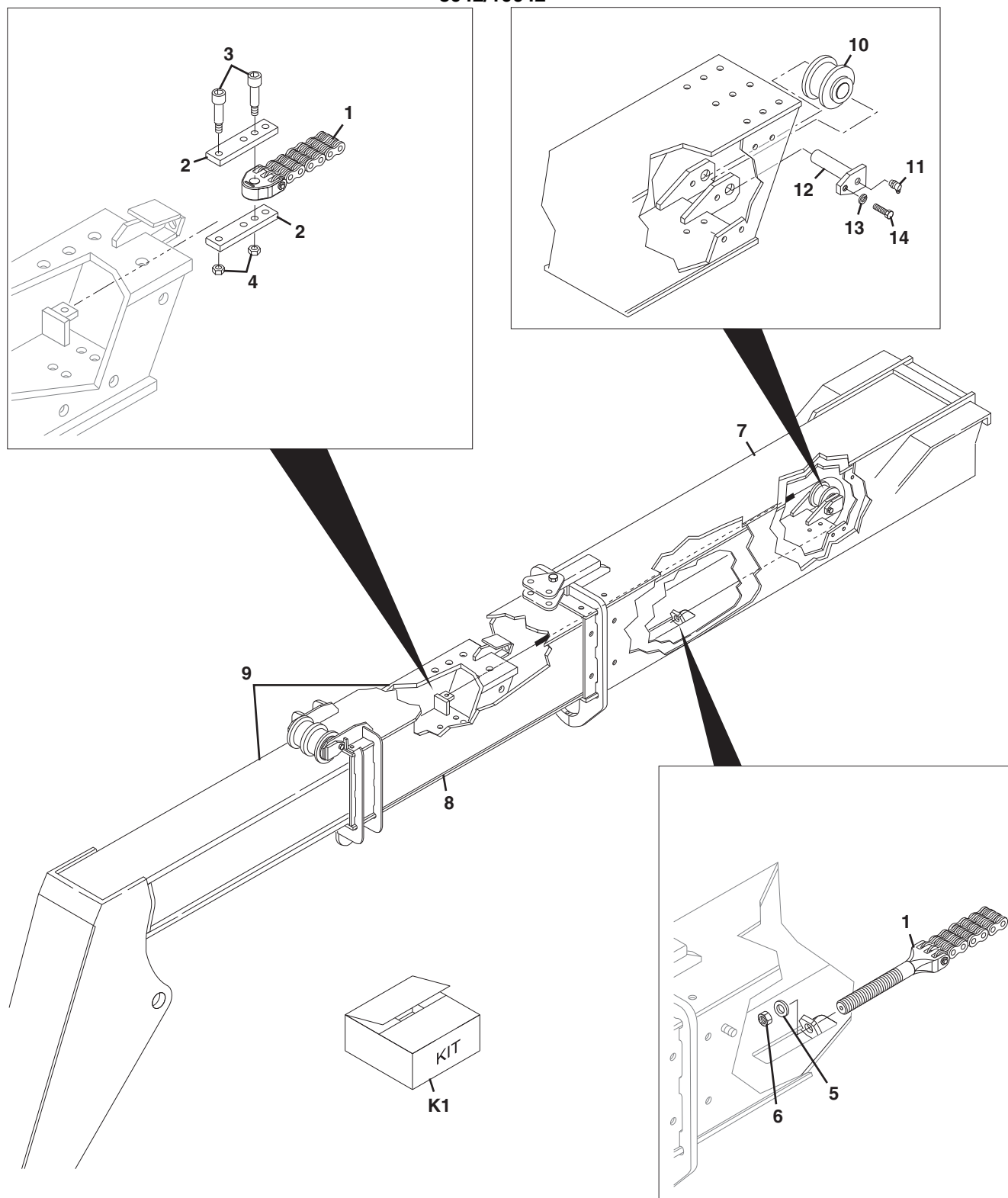
Item	Part Number	Qty.	Description	Rev.
1	Use Kit K1	2	THIRD BOOM SECTION EXTEND CHAIN & CLEVIS ASSY, 194.25 IN LONG	
2	7139180	2	EXTEND CHAIN YOKE	
3	8310019	2	SOCKET HD SHOULDER SCREW, 1/2X1-1/2X3/8-16	
4	8305645	2	HEX LOCKNUT, 3/8-16	
5	8310020	1	SOCKET HD SHOULDER SCREW, 5/8X1-1/2X1/2-13	
6	8305644	1	HEX LOCKNUT, 1/2-13	
7	8307104	2	PLAIN WASHER, 3/4	
8	8305646	2	HEX LOCKNUT, 3/4-16	
9	Use Kit K2	1	FOURTH BOOM SECTION EXTEND CHAIN & CLEVIS ASSY, 193 IN LONG	
10	8310205	1	SOCKET HD SHOULDER SCREW, 3/4X2-1/2	
11	8305643	1	HEX LOCKNUT, 5/8-11	
12	8310066	1	PLAIN WASHER, 1	
13	8310210	1	HEX LOCKNUT, 1-14	
14		Ref	FIRST BOOM SECTION, (see Figure 2-1 for details)	
15		Ref	SECOND BOOM SECTION, (see Figure 2-2 for details)	
16		Ref	THIRD BOOM SECTION, (see Figure 2-3 for details)	
17		Ref	FOURTH BOOM SECTION, (see Figure 2-4 for details)	
18	8520001	1	LUBE FITTING, STRAIGHT, 1/8	
20	1001101845	1	BUSHING SHEAVE ASSY	
	7114112	1	EXTEND CHAIN SHEAVE	
	7126662	2	CHAIN SHEAVE BUSHING	
21	8303624	1	HEX HD CAPSCREW, 1/2-13X1, (S/N 13198 thru 19987 & 0160002332 thru 0160033854)	
22	8307007	2	LOCKWASHER, 1/2, (S/N 13198 thru 19987 & 0160002332 thru 0160033854)	
23	7117582	1	EXTEND CHAIN SHEAVE PIN	
24	8303634	2	HEX HD CAPSCREW, 5/8-11X4	
26	1001101867	1	BUSHING SHEAVE ASSY	
	7114032	1	EXTEND CHAIN SHEAVE	
	7117502	2	CHAIN SHEAVE BUSHING	
27	8305643	2	HEX LOCKNUT, 5/8-11	
28	8522012	AR	ANTI-SEIZE LUBE, (apply to items 3, 5, 7, 10 & 12)	
29	7117572	1	PIN, (S/N 13198 thru 19987 & 0160002332 thru 0160033854)	
	1001097735	1	PIN, (S/N 0160033855 & After)	
K1	8024032	1	THIRD BOOM SECTION EXTEND CHAINS SERVICE KIT, (includes items 1 thru 8)	
K2	8024053	1	FOURTH BOOM SECTION EXTEND CHAIN SERVICE KIT, (includes items 10 thru 13)	



BOOM

Figure 2-7 Boom Retract Chains

8042/10042



PH4422

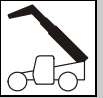


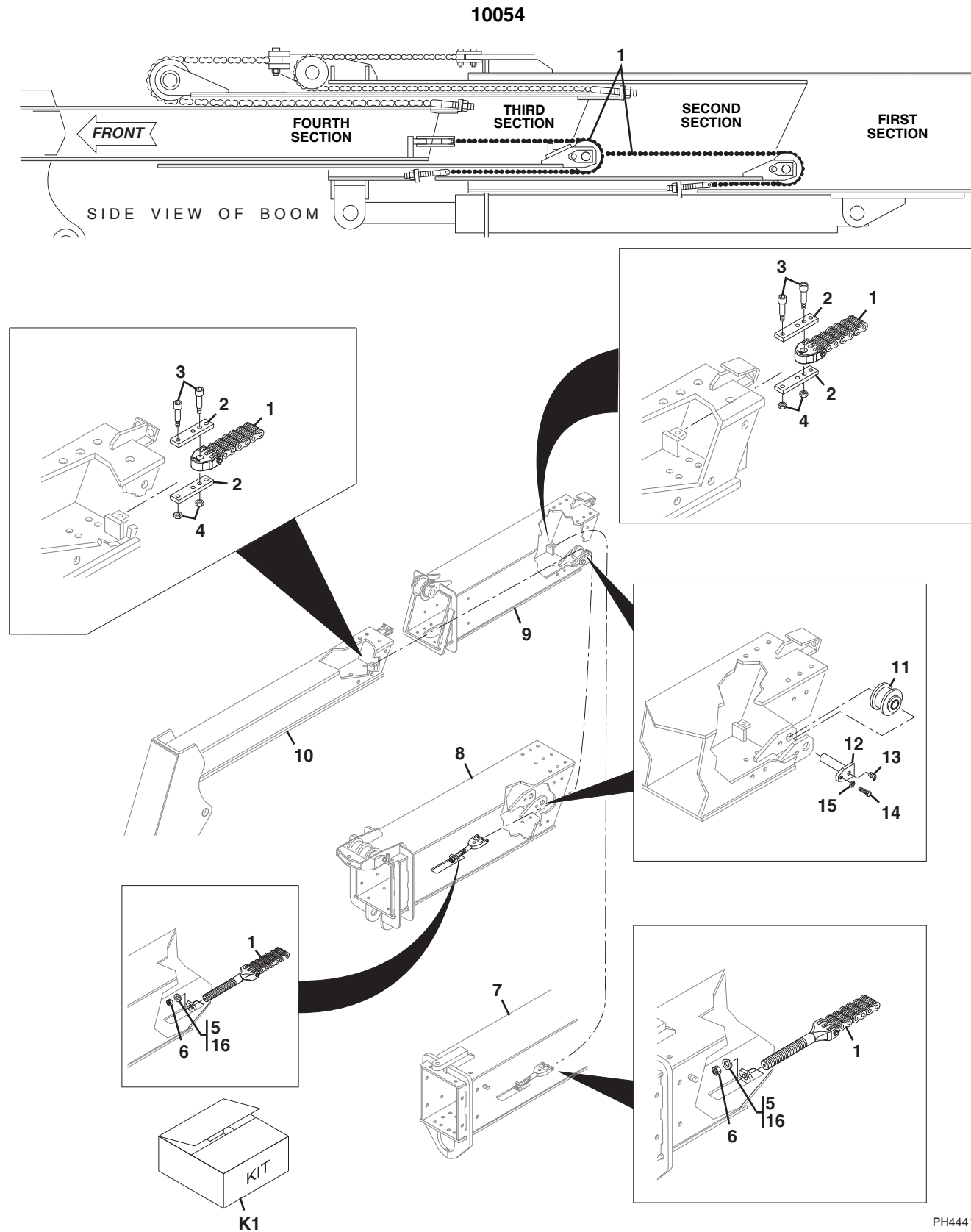
Figure 2-7 Boom Retract Chains

Item	Part Number	Qty.	Description	Rev.
1	Use Kit K1	1	RETRACT CHAIN & CLEVIS ASSY	
2	7117031	4	RETRACT CHAIN ANCHOR LINK	
3	8310019	4	SOCKET HD SHOULDER SCREW, 1/2X1-1/2X3/8-16	
4	8305645	4	HEX LOCKNUT, 3/8-16	
5	8307104	4	PLAIN WASHER, 3/4	
6	8305646	4	HEX LOCKNUT, 3/4-16	
7		Ref	FIRST BOOM SECTION, (see Figure 2-1 for details)	
8		Ref	SECOND BOOM SECTION, (see Figure 2-2 for details)	
9		Ref	THIRD BOOM SECTION, (see Figure 2-3 for details)	
10	7138986	2	RETRACT CHAIN SHEAVE WITH BUSHINGS	
11	8520003	2	LUBE FITTING, 90 DEGREES, 1/8	
12	7138977	2	RETRACT CHAIN SHEAVE PIN	
13	8307007	2	LOCKWASHER, 1/2	
14	8303624	2	HEX HD CAPSCREW, 1/2-13X1	
K1	8024033	1	RETRACT CHAIN SERVICE KIT, (includes items 1 thru 6)	



BOOM

Figure 2-7 Boom Retract Chains



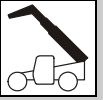


Figure 2-7 Boom Retract Chains

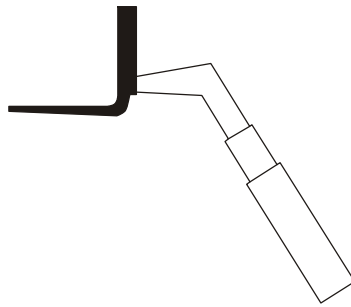
Item	Part Number	Qty.	Description	Rev.
1	Use Kit K1	1	RETRACT CHAIN & CLEVIS ASSY	
2	7117031	4	RETRACT CHAIN ANCHOR LINK	
3	8310019	4	SOCKET HD SHOULDER SCREW, 1/2X1-1/2X3/8-16	
4	8305645	4	HEX LOCKNUT, 3/8-16	
5	8307104	4	PLAIN WASHER, 3/4	
6	8305646	4	HEX LOCKNUT, 3/4-16	
7		Ref	FIRST BOOM SECTION, (see Figure 2-1 for details)	
8		Ref	SECOND BOOM SECTION, (see Figure 2-2 for details)	
9		Ref	THIRD BOOM SECTION, (see Figure 2-3 for details)	
10		Ref	FOURTH BOOM SECTION, (see Figure 2-4 for details)	
11	7138986	2	RETRACT CHAIN SHEAVE WITH BUSHINGS	
12	7138977	2	RETRACT CHAIN SHEAVE PIN	
13	8520003	2	LUBE FITTING, 90 DEGREES, 1/8	
14	8303624	3	HEX HD CAPSCREW, 1/2-13X1	
15	8307007	2	LOCKWASHER, 1/2	
16	8522012	AR	ANTI-SEIZE LUBE, (apply to item 5)	
K1	8024033	2	RETRACT CHAIN SERVICE KIT, (includes Items 1 thru 6)	



BOOM

This Page Intentionally Left Blank

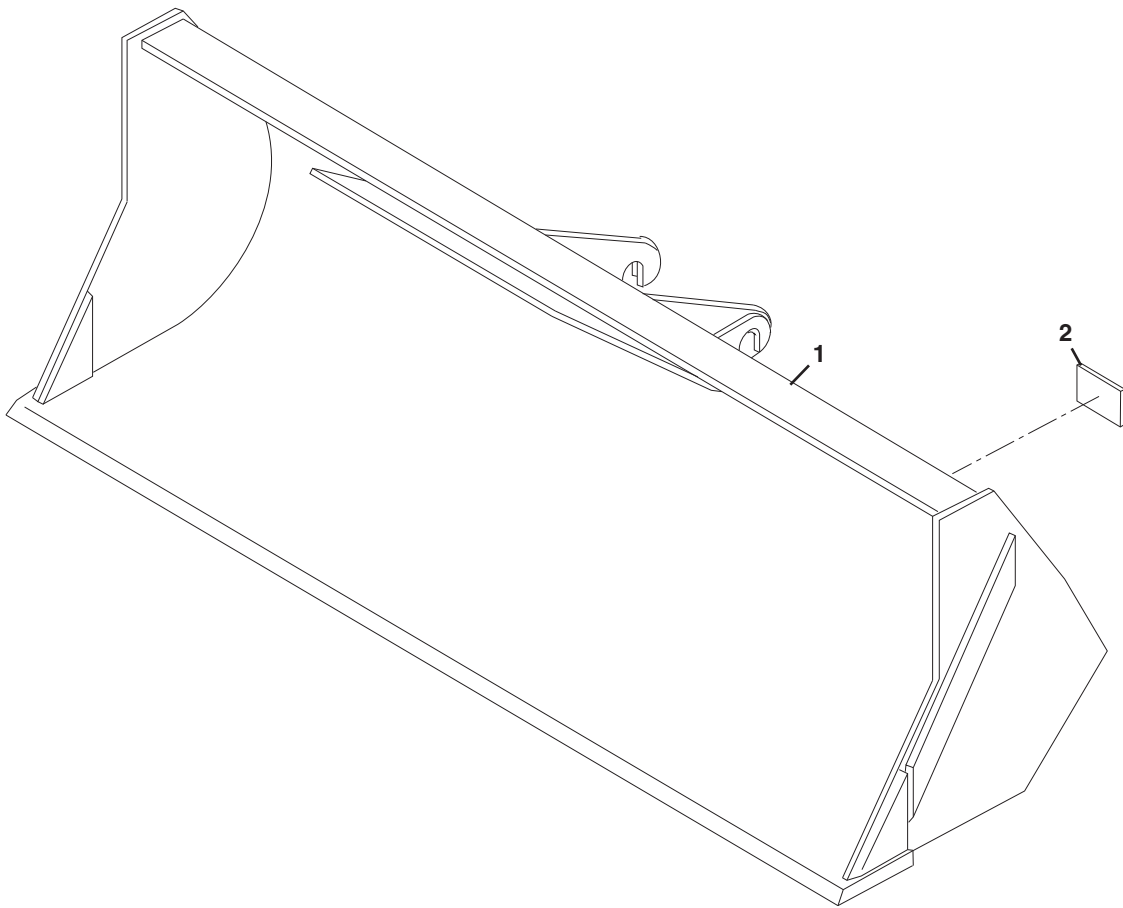
SECTION 3 ATTACHMENTS





ATTACHMENTS

Figure 3-1 Buckets



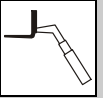


Figure 3-1 Buckets

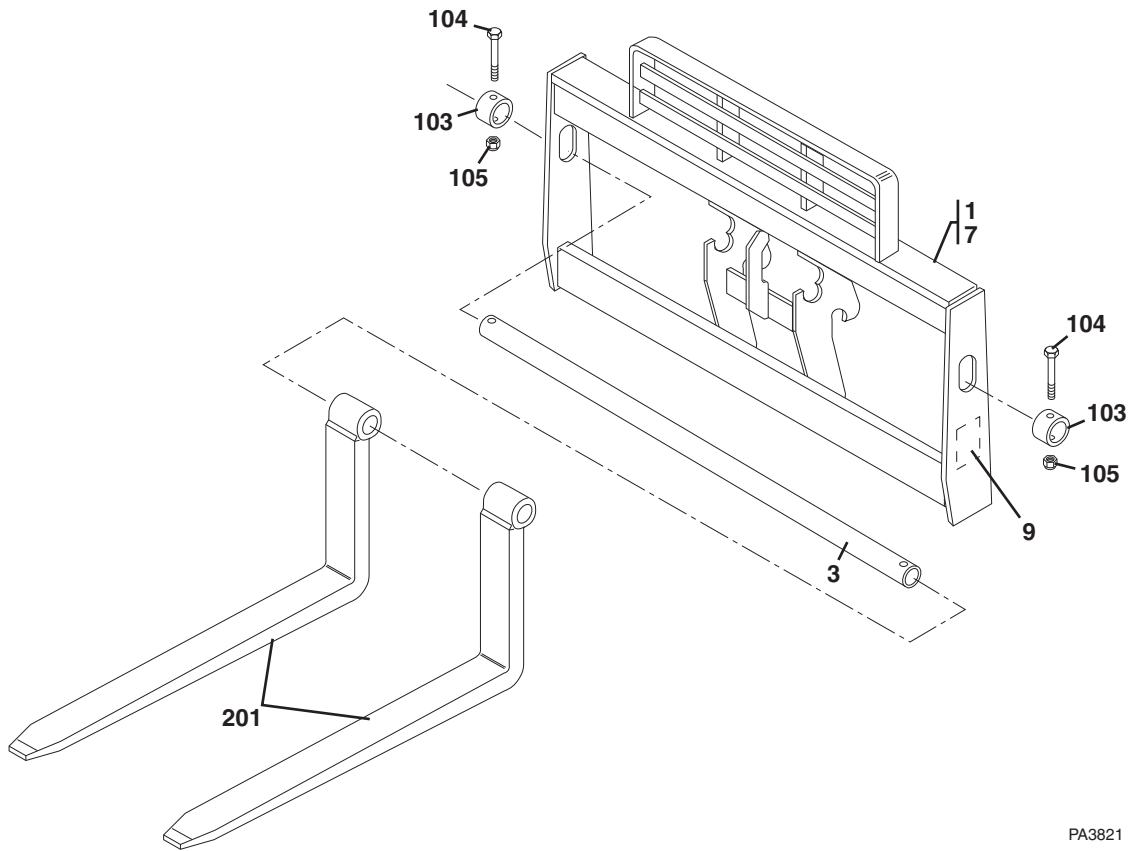
Item	Part Number	Qty.	Description	Rev.
1	7110744	1	UTILITY BUCKET, 1-1/4 YD ³ , (Before S/N 0160037788), (includes item 2)	E
	1001100822	1	72 IN BUCKET, 1.0 YD ³ , (S/N 0160037689 & After), (includes item 2)	B
	1001100823	1	96 IN BUCKET, 1.5 YD ³ , (S/N 0160037689 & After), (includes item 2)	B
	1001100824	1	102 IN BUCKET, 2.0 YD ³ , (S/N 0160037689 & After), (includes item 2)	B
2	NSS	1	S/N PLATE	



ATTACHMENTS

8042 S/N 13198 thru 19987 & 0160002332 thru 0160034158
10042 S/N 13198 thru 19987 & 0160002332 thru 0160033709
10054 S/N 13198 thru 19987 & 0160002332 thru 0160034159

Figure 3-2 Tilt Carriage



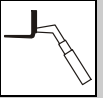


Figure 3-2 Tilt Carriage

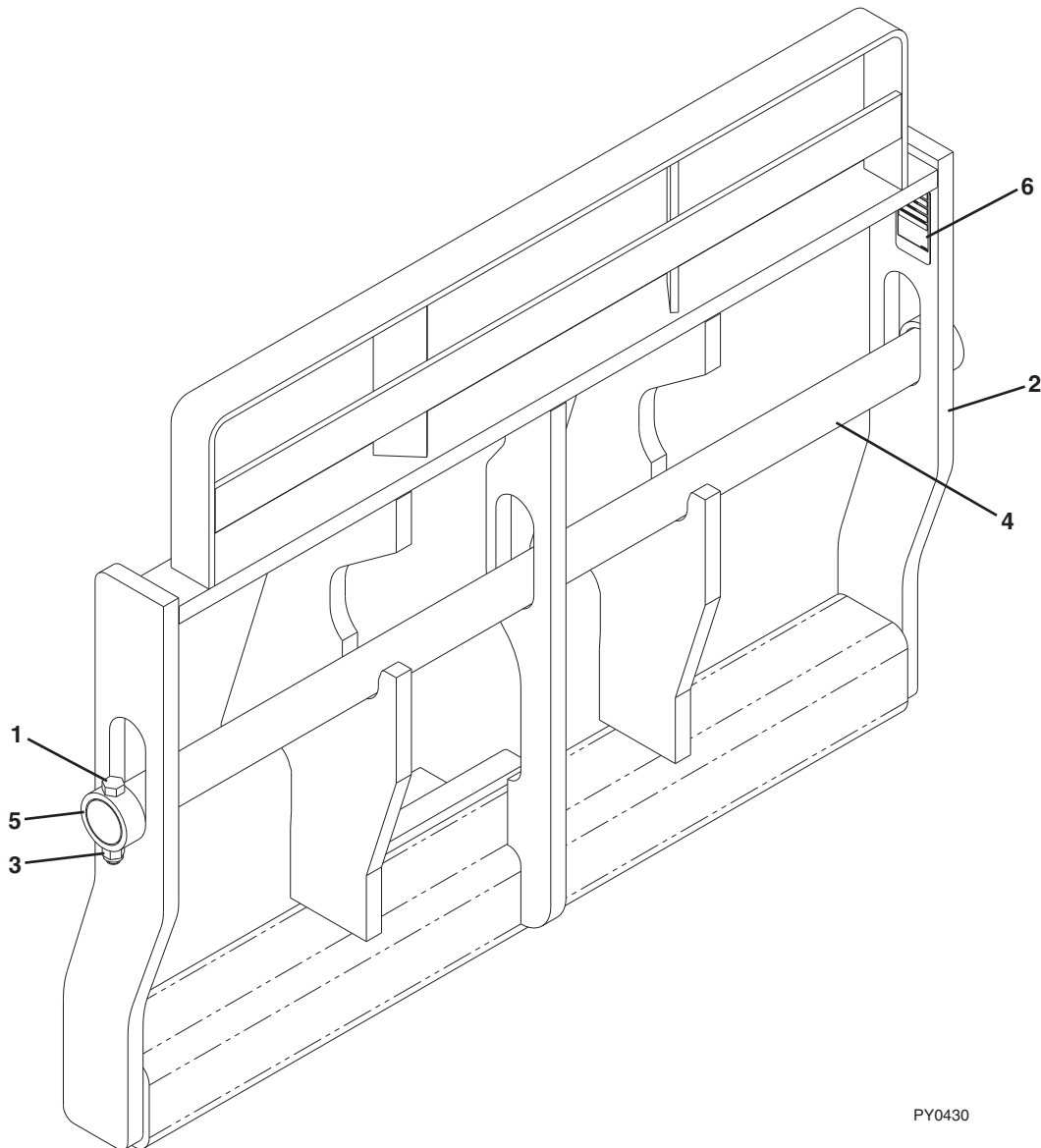
Item	Part Number	Qty.	Description	Rev.
	6040500	1	48 IN CARRIAGE, (includes items 1 thru 9)	6
	6040600	1	60 IN CARRIAGE, (includes items 1 thru 9)	4
	6040700	1	72 IN CARRIAGE, (includes items 1 thru 9)	5
1	NSS	1	CARRIAGE	
3	7128772	1	FORK PIVOT SHAFT, (48 in carriage)	
	90451058	1	FORK PIVOT SHAFT, (50 in carriage)	
	7128792	1	FORK PIVOT SHAFT, (60 in carriage)	
	90551013	1	FORK PIVOT SHAFT, (72 in carriage)	
7	7118993	Ref	STANDARD CARRIAGE ASSSY, (not available to order, see items 103 thru 105 for service)	G
9	NSS	1	S/N PLATE	
103	90200003	2	COLLAR	
104	8303634	2	HEX HD CAPSCREW, 5/8-11X4	
105	8305643	2	HEX LOCKNUT, 5/8-11	
201		Ref	FORKS, (see Figure 3-10 for details)	



ATTACHMENTS

8042 S/N 0160034159 & After
10042 S/N 0160033710 & After
10054 S/N 0160034160 & After

Figure 3-2 Tilt Carriage



PY0430

8042 S/N 0160034159 & After
 10042 S/N 0160033710 & After
 10054 S/N 0160034160 & After

ATTACHMENTS

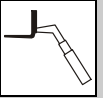


Figure 3-2 Tilt Carriage

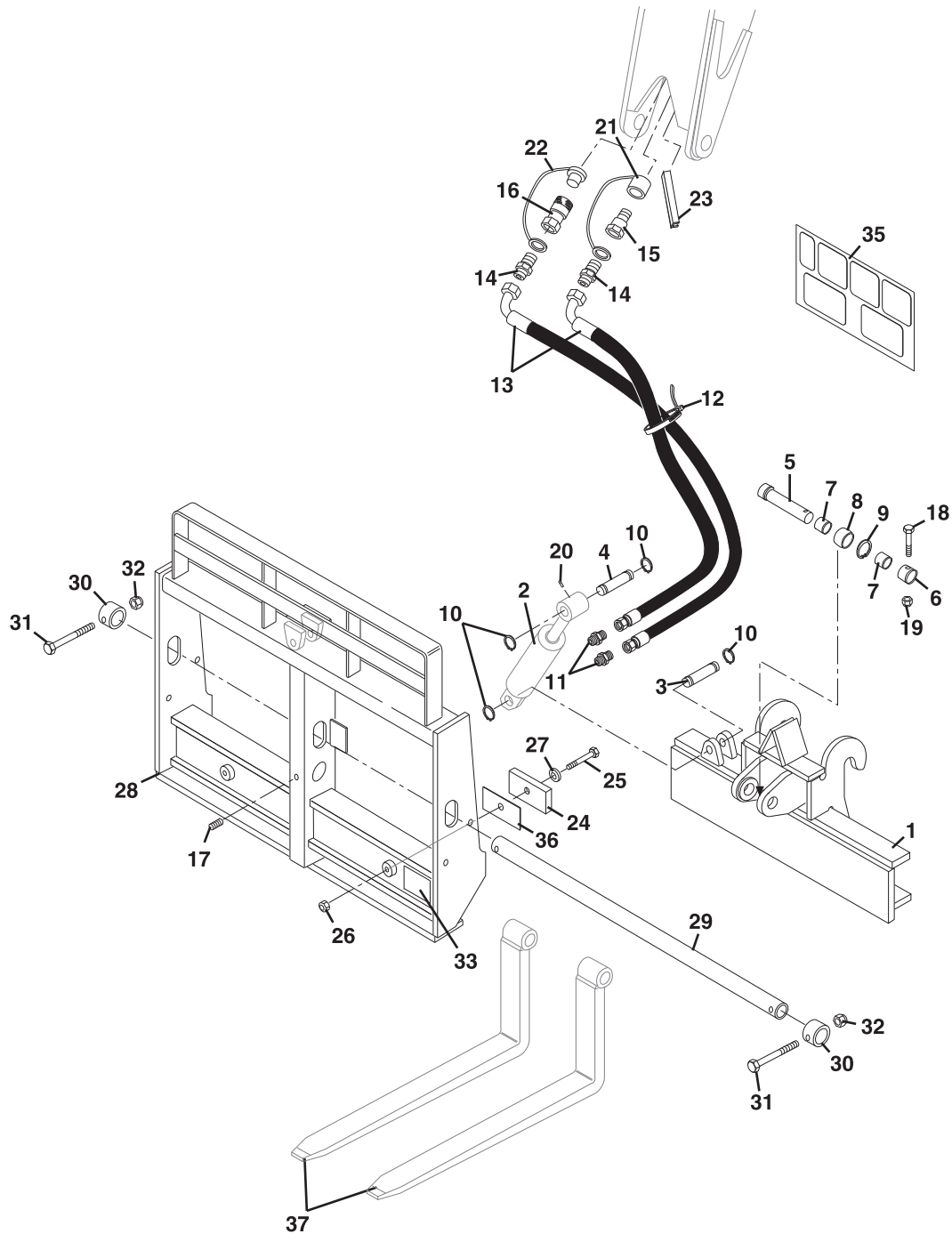
Item	Part Number	Qty.	Description	Rev.
	1170021	1	50 IN TILT CARRIAGE, (includes items 1 thru 6)	D
	1170024	1	60 IN TILT CARRIAGE, (includes items 1 thru 6)	D
	1001132514	1	72 IN TILT CARRIAGE, (includes items 1 thru 6)	A
1	0642032	2	HEX HD CAPSCREW, 5/8-11X4, GR5	
2	NSS	1	TILT CARRIAGE	
3	3300240	2	LOCKNUT, 5/8-11	
4	3423275	1	50 IN FORK PIN	
	3423242	1	60 IN FORK PIN	
	3423276	1	72 IN FORK PIN	
5	90200003	2	COLLAR	
6	NSS	1	S/N PLATE	



ATTACHMENTS

8042 Before S/N 0160037799
10042 Before S/N 0160037798
10054 Before S/N 0160037793

Figure 3-3 Side Tilt Carriage



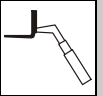


Figure 3-3 Side Tilt Carriage

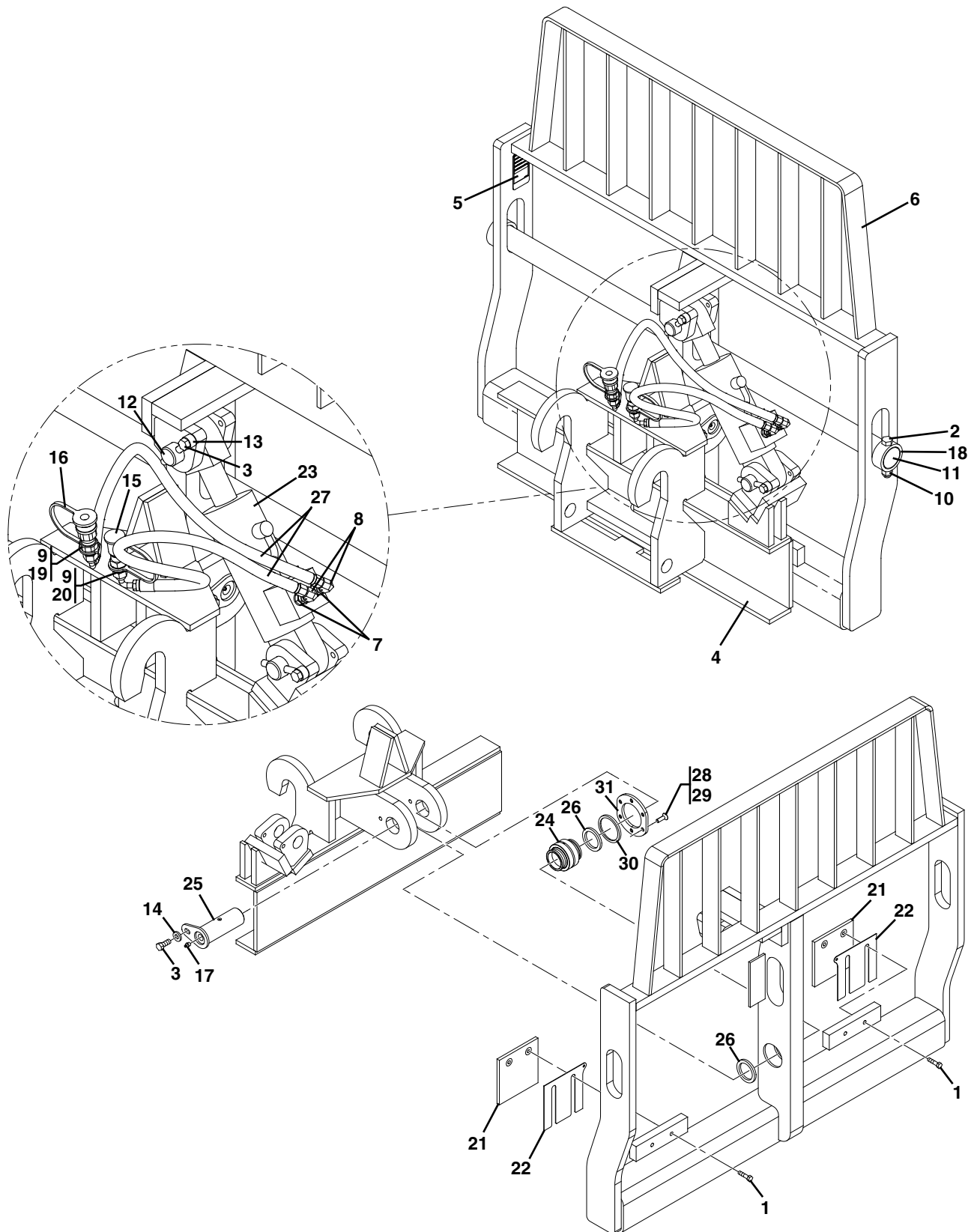
Item	Part Number	Qty.	Description	Rev.
	7117214	1	SIDE TILT CARRIAGE ASSY, (includes items 1 thru 36)	N
1	7117204	1	PIVOT BASE	
2		Ref	SIDE TILT CYLINDER, (see Figure 12-4 for details)	
3	7077501	1	CYLINDER BASE PIN	
4	7077511	1	CYLINDER ROD PIN	
5	7085411	1	PIVOT PIN	
6	7085501	1	PIN LOCKING COLLAR	
7	7077481	2	SPACER	
8	8065634	1	SELF ALIGN BUSHING	
9	8642001	1	SNAP RING	
10	8642235	4	SNAP RING	
11	2220371	2	STRAIGHT CONNECTOR	
12	8584001	1	TIE WRAP	
13	2711992	2	HOSE ASSY	
14	2220372	2	STRAIGHT CONNECTOR	
15	91403414	1	MALE QUICK DISCONNECT	
	8640029	1	NOSE SEAL, (not shown)	
16	91403413	1	FEMALE QUICK DISCONNECT	
	8640029	1	NOSE SEAL, (not shown)	
	8640028	1	COUPLER BODY SEAL, (not shown)	
	8640032	1	COUPLER BODY SEAL BACK-UP RING, (not shown)	
17	88761001	1	GREASE FITTING	
18	8303770	1	HEX HD CAPSCREW, 3/8-16X2-3/4	
19	8305645	1	HEX LOCKNUT, 3/8-16	
20	8520013	2	LUBE FITTING	
21	8420053	1	DUST CAP, #8	
22	8420055	1	DUST PLUG, #8	
23	7125741	1	MOULDING	
24	7065482	2	WEAR PAD	
25	8303739	2	HEX HD CAPSCREW, 5/16-18X1-1/4	
26	8305626	2	HEX LOCKNUT, 5/16-18	
27	8307203	2	FLAT HEAVY WASHER	
28	7117244	1	48 IN SIDE TILT CARRIAGE	
	7300983	1	50 IN SIDE TILT CARRIAGE	
	7117254	1	60 IN SIDE TILT CARRIAGE	
	7117264	1	72 IN SIDE TILT CARRIAGE	
29	7128772	1	FORK PIVOT SHAFT, (48 in carriage)	
	90451058	1	FORK PIVOT SHAFT, (50 in carriage)	
	7128792	1	FORK PIVOT SHAFT, (60 in carriage)	
	90551013	1	FORK PIVOT SHAFT, (72 in carriage)	
30	90200003	2	COLLAR	
31	8303634	2	HEX HD CAPSCREW, 5/8-11X4	
32	8305643	2	HEX LOCKNUT, 5/8-11	
33	NSS	1	S/N PLATE	
35	4108232	1	CAPACITY CHART DECAL	
36	7070191	AR	SHIM	
37		Ref	FORKS, (see Figure 3-10 for details)	



ATTACHMENTS

8042 S/N 0160037799 & After
10042 S/N 0160037798 & After
10054 S/N 0160037793 & After

Figure 3-3 Side Tilt Carriage



PAP2970

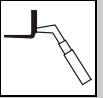


Figure 3-3 Side Tilt Carriage

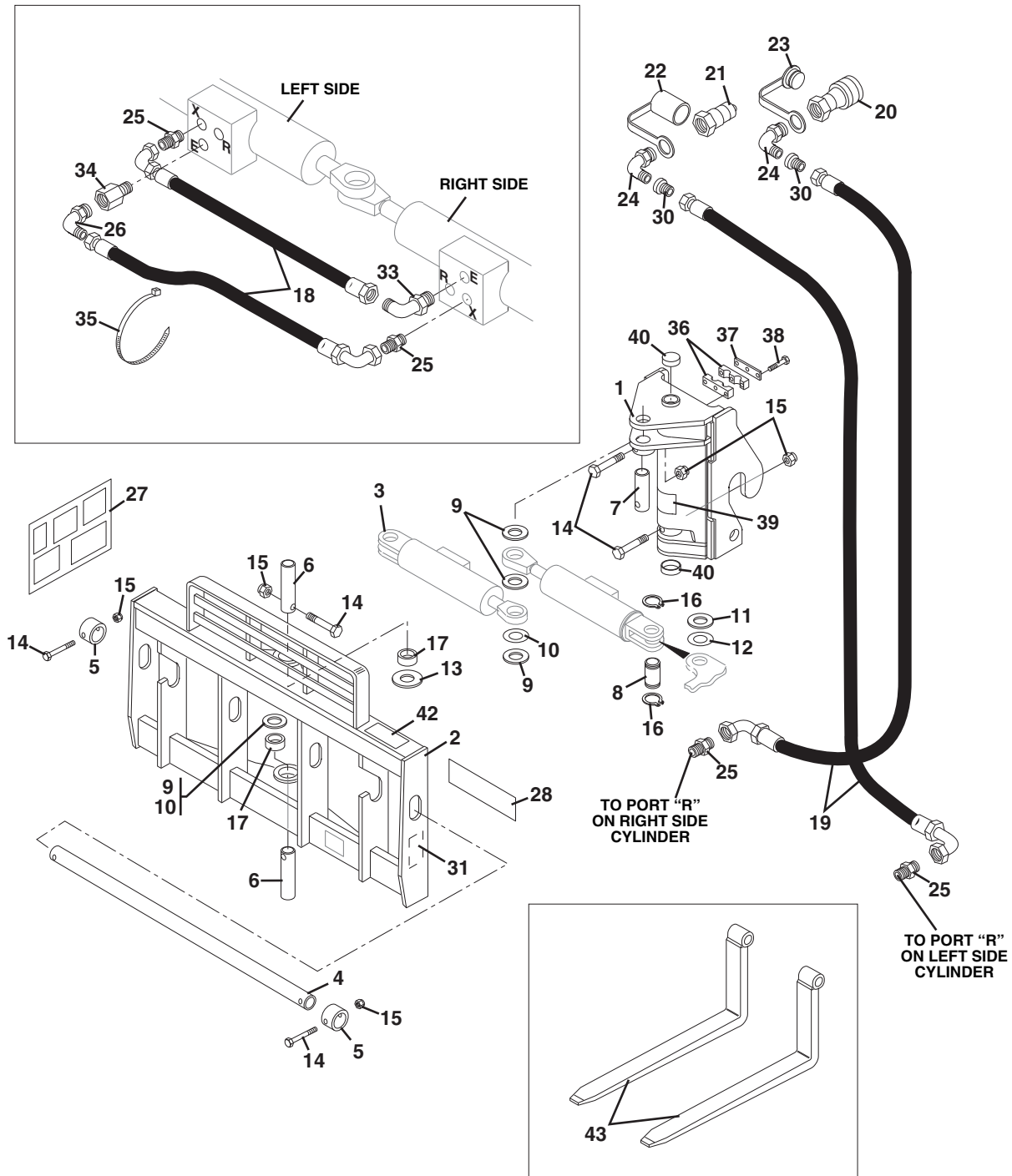
Item	Part Number	Qty.	Description	Rev.
	1170054	1	50 IN SIDE TILT CARRIAGE, (includes all items)	H
	1001101956	1	60 IN SIDE TILT CARRIAGE, (includes all items)	H
	1170057	1	72 IN SIDE TILT CARRIAGE, (includes all items)	H
1	0641612	4	HEX HD CAPSCREW, 3/8-16X1-1/2	
2	0642032	2	HEX HD CAPSCREW, 5/8-11X4	
3	0681810	3	HEX HD CAPSCREW, 1/2-13X1-1/4	
4	NSS	1	CARRIAGE BASE	
5	NSS	1	S/N PLATE	
6	NSS	1	CARRIAGE, SIDE TILT	
7	2110606	2	CONNECTOR	
8	2172106	2	CONNECTOR, 90 DEGREES	
9	2110808	2	CONNECTOR, (50 in Side Tilt Carriage)	
	2110608	2	CONNECTOR, (60 in Side Tilt Carriage)	
	2110808	2	CONNECTOR, (72 in Side Tilt Carriage)	
10	3300240	2	LOCK NUT, 5/8-11	
11	3423275	1	50 IN FORK PIN	
	3423242	1	60 IN FORK PIN	
	3423276	1	72 IN FORK PIN	
12	3423307	2	PIN	
13	3841203	2	KEEPER	
14	4891800	1	WASHER, 1/2	
15	8420053	1	DUST CAP	
16	8420055	1	DUST PLUG	
17	88671001	1	GREASE FITTING	
18	90200003	2	COLLAR	
19	91403413	1	CONNECTOR	
20	91403414	1	CONNECTOR	
21	1001090063	2	WEAR PAD	
22	1001090064	AR	SHIM	
23		Ref	HYDRAULIC CYLINDER, (see Figure 9-12 for details)	
24	1001090140	1	BEARING	
25	1001099113	1	PIN	
26	1001099115	2	SLEEVE	
27	1001102378	2	HOSE ASSY, 3/8X39	
28	0100011	AR	LOCTITE® 242™	
29	0741610	6	FLAT HEAD SOCKET SCREW, 3/8-16	
30	1001120914	1	BEARING RETAINER SHIM	
31	1001120915	1	BEARING RETAINER PLATE	



ATTACHMENTS

8042 Before S/N 0160037799
10042 Before S/N 0160037798
10054 Before S/N 0160037793

Figure 3-4 Swing Carriage



PH4760

8042 Before S/N 0160037799
 10042 Before S/N 0160037798
 10054 Before S/N 0160037793

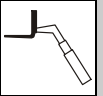


Figure 3-4 Swing Carriage

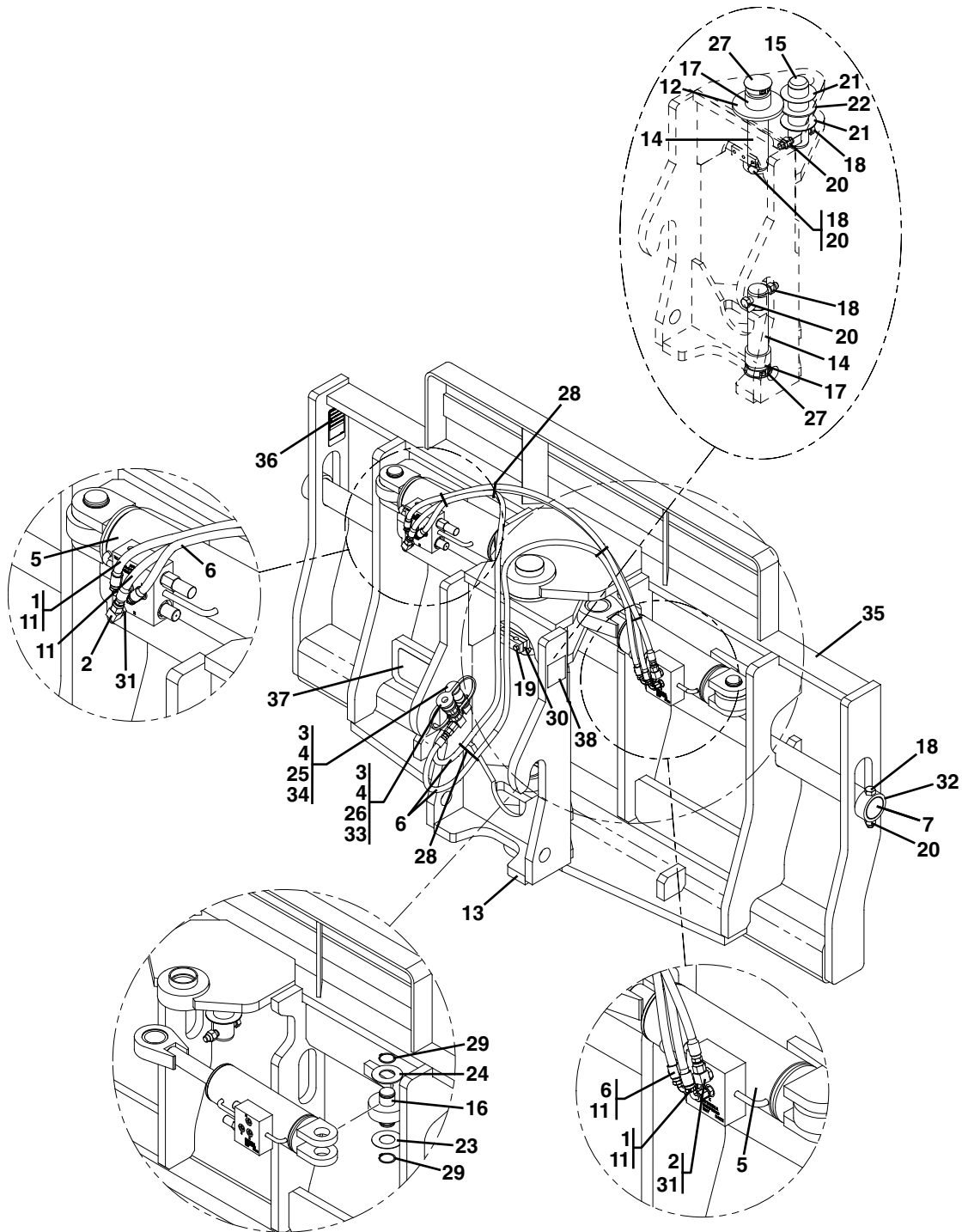
Item	Part Number	Qty.	Description	Rev.
	7125800	1	72 IN SWING CARRIAGE ASSY, (includes items 1 thru 42)	0
1	7110494	1	PIVOT BASE	
2	7110694	1	72 IN CARRIAGE	
3		Ref	SWING CARRIAGE CYLINDER, (see Figure 12-3 for details)	
4	90551013	1	FORK PIVOT SHAFT	
5	7086471	Ref	LOCK HUB, (no longer available, use 90200003 for replacement)	
	90200003	2	LOCK HUB	
6	7110702	2	CARRIAGE PIVOT PIN	
7	7110712	1	CYLINDER PIVOT PIN, (rod end)	
8	7110722	2	CYLINDER PIVOT PIN, (base end)	
9	8307918	AR	SHIM, 2 IDX10GA	
10	8307904	AR	SHIM, 2 IDX18GA	
11	8310161	AR	SHIM, 1-1/2 IDX10GA	
12	8310160	AR	SHIM, 1-1/2 IDX18GA	
13	7062922	1	THRUST BEARING	
14	8303634	5	HEX HD CAPSCREW, 5/8-11X4	
15	8305643	5	HEX LOCKNUT, 5/8-11	
16	8642207	4	RETAINING RING	
17	8065062	2	SELF LUBE BEARING	
18	6604662	2	HOSE ASSY	
19	2717287	2	HOSE ASSY	
20	91403413	1	FEMALE QUICK DISCONNECT	
21	91403414	1	MALE QUICK DISCONNECT	
	8640029	1	NOSE SEAL, (not shown)	
22	8420053	1	DUST CAP, #8	
23	8420055	1	DUST PLUG, #8	
24	2220628	2	ELBOW, 90 DEGREES	
25	2220415	4	STRAIGHT CONNECTOR	
26	2220473	1	ELBOW, 90 DEGREES	
27	4107692	2	CAPACITY CHART DECAL	
28	4107702	1	TIP OVER HAZARD, DANGER DECAL	
30	2220609	2	TUBE END REDUCER, 6-4	
31	NSS	1	S/N PLATE	
33	2220775	1	ELBOW, 90 DEGREES	
34	8770016	1	STRAIGHT CONNECTOR	
35	8584001	5	TIE WRAP	
36	8769132	2	CLAMP HALF	
37	6608621	1	CLAMP COVER	
38	8303715	3	HEX HD CAPSCREW, 5/16-18X1-1/2	
39	4107712	1	NO TRUSS BOOM DANGER DECAL	
40	8580315	2	TRIM PLUG, 2-1/2 DIA	
42	4110473	1	HOSE ROUTING DECAL	
43		Ref	FORKS, (see Figure 3-10 for details)	



ATTACHMENTS

8042 S/N 0160037799 & After
10042 S/N 0160037798 & After
10054 S/N 0160037793 & After

Figure 3-4 Swing Carriage



PAP3360

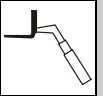


Figure 3-4 Swing Carriage

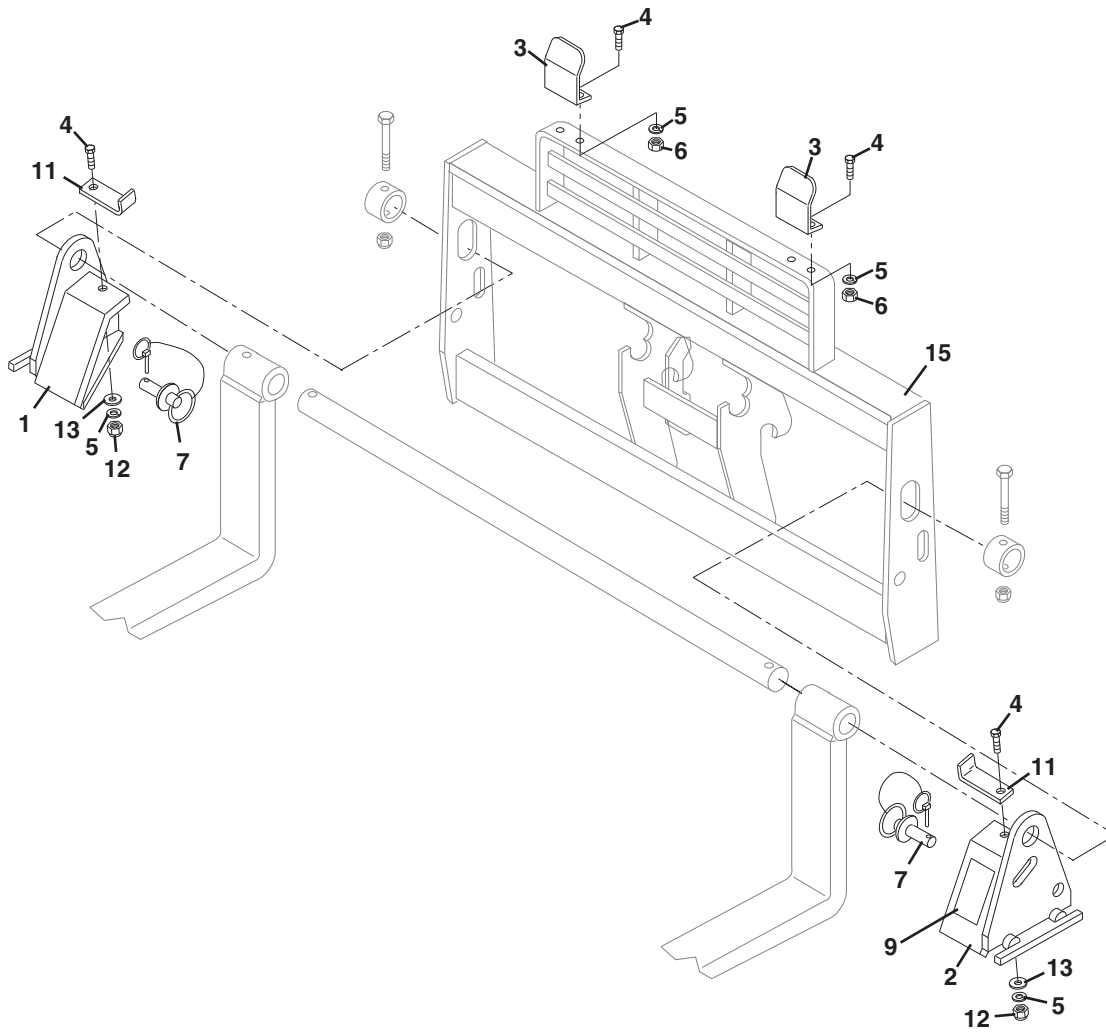
Item	Part Number	Qty.	Description	Rev.
	1001095418	1	90 DEGREE SWING CARRIAGE, 72 IN, (includes all items)	K
1	2220415	4	CONNECTOR	
2	2220473	2	CONNECTOR, 90 DEGREES	
3	2220609	2	CONNECTOR	
4	2220628	2	CONNECTOR, 90 DEGREES	
5		Ref	SWING CYLINDER, (see Figure 9-13 for details)	
6	2717287	2	HOSE ASSY, 1/4X58	
7	3423276	1	PIN	
11	6604662	2	HOSE ASSY, 1/4X40.5	
12	7062922	1	WASHER	
13	NSS	1	PIVOT WELDMENT	
14	7110702	2	PIVOT PIN	
15	7110712	1	PIN	
16	7110722	2	PIN	
17	8065062	2	BUSHING	
18	8303634	5	HEX HD CAPSCREW, 5/8-11X4, GR5	
19	8303715	3	HEX HD CAPSCREW, 5/16-18X1.5, GR5	
20	8305643	5	HEX NUT, 5/8-11	
21	8307904	AR	SHIM	
22	8307918	AR	SHIM	
23	8310160	AR	SHIM	
24	8310161	AR	SHIM	
25	8420053	1	DUST CAP	
26	8420055	1	DUST PLUG	
27	8580315	2	PLUG	
28	8584001	5	TIE WRAP	
29	8642207	4	RETAINING RING	
30	8769132	2	CLAMP	
31	8770016	2	CONNECTOR	
32	90200003	2	COLLAR	
33	91403413	1	CONNECTOR	
34	91403414	1	CONNECTOR	
35	NSS	1	CARRIAGE FRAME	
36	NSS	1	S/N PLATE	
37	1001110704	1	CRUSH HAZARD WARNING DECAL	
38	1001111190	2	WARNING DECAL	



ATTACHMENTS

8042 Before S/N 0160037799
10042 Before S/N 0160037798
10054 Before S/N 0160037793

Figure 3-5 Sheet Material Handler



PH4750

8042 Before S/N 0160037799
 10042 Before S/N 0160037798
 10054 Before S/N 0160037793

ATTACHMENTS

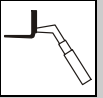


Figure 3-5 Sheet Material Handler

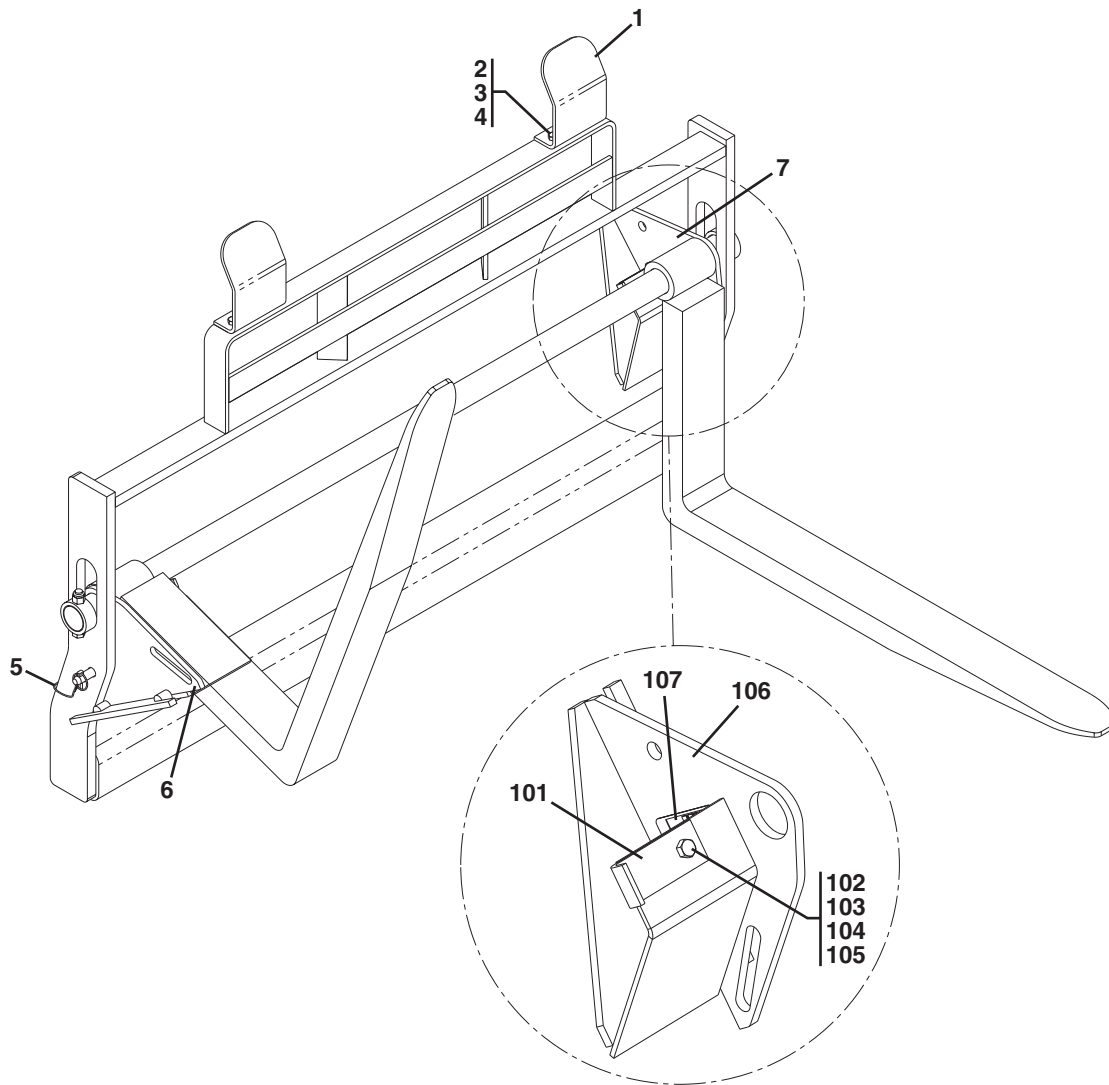
Item	Part Number	Qty.	Description	Rev.
	7129300	1	SHEET MATERIAL HANDLER WITH 72 IN SWING CARRIAGE ASSY, (includes items 1 thru 13)	
	7112704	1	SHEET MATERIAL HANDLER WITH 72 IN SWING CARRIAGE ASSY, (includes items 1 thru 13)	E
1	7112533	1	RIGHT SIDE FORK SUPPORT	
2	7112523	1	LEFT SIDE FORK SUPPORT	
3	7112642	2	BACKREST EXTENSION	
4	8303626	6	HEX HD CAPSCREW, 1/2-13X1-1/2	
5	8307007	6	LOCKWASHER, 1/2	
6	8305012	4	HEX NUT, 1/2-13	
7	8301456	2	HITCH PIN	
9	NSS	2	S/N/CAPACITY PLATE	
11	7114941	2	LOCK BAR	
12	8305644	2	HEX LOCKNUT, 1/2-13	
13	8307112	2	FLAT WASHER, 1/2	
15		Ref	72 IN SWING CARRIAGE, (see Figure 3-4 for details)	



ATTACHMENTS

8042 S/N 0160037799 & After
10042 S/N 0160037798 & After
10054 S/N 0160037793 & After

Figure 3-5 Sheet Material Handler



PY1510

8042 S/N 0160037799 & After
 10042 S/N 0160037798 & After
 10054 S/N 0160037793 & After

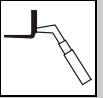


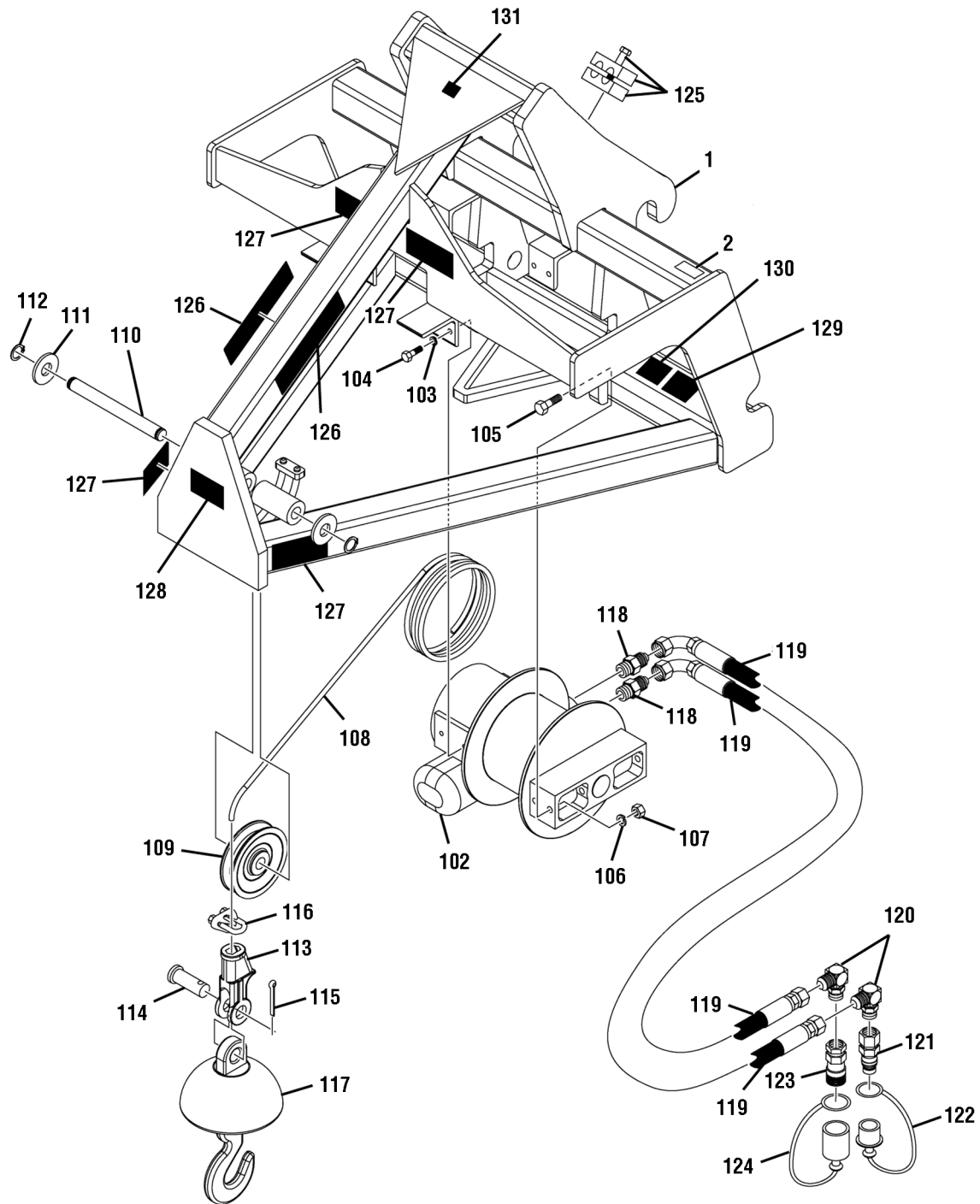
Figure 3-5 Sheet Material Handler

Item	Part Number	Qty.	Description	Rev.
	1001100227	1	SHEET MATERIAL HANDLER ASSY, (includes all items)	A
1	7112642	2	BACKREST EXTENSION	
2	8303626	4	HEX HD CAPSCREW, 1/2-13X1-1/2, GR5	
3	8305012	4	HEX NUT, 1/2-13	
4	8307007	4	LOCK WASHER, 1/2	
5	1001093377	2	HITCH PIN	
6	1001101115	1	FORK SUPPORT ASSY, RH, (includes items 101 thru 107)	A
7	1001101116	1	FORK SUPPORT ASSY, LH, (includes items 101 thru 107)	B
101	7114941	1	LOCK BAR	
102	8303626	1	HEX HD CAPSCREW, 1/2-13X1-1/2 GR5	
103	8305644	1	HEX LOCK NUT, 1/2-13	
104	8307007	1	LOCK WASHER, 1/2	
105	8307112	1	WASHER, 1/2	
106	1001100228	1	FORK SUPPORT, RH, (not shown)	
	1001100229	1	FORK SUPPORT, LH, (shown)	
107	NSS	1	S/N PLATE	



ATTACHMENTS

Figure 3-6 3 FT Truss Boom With Winch



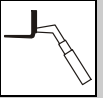


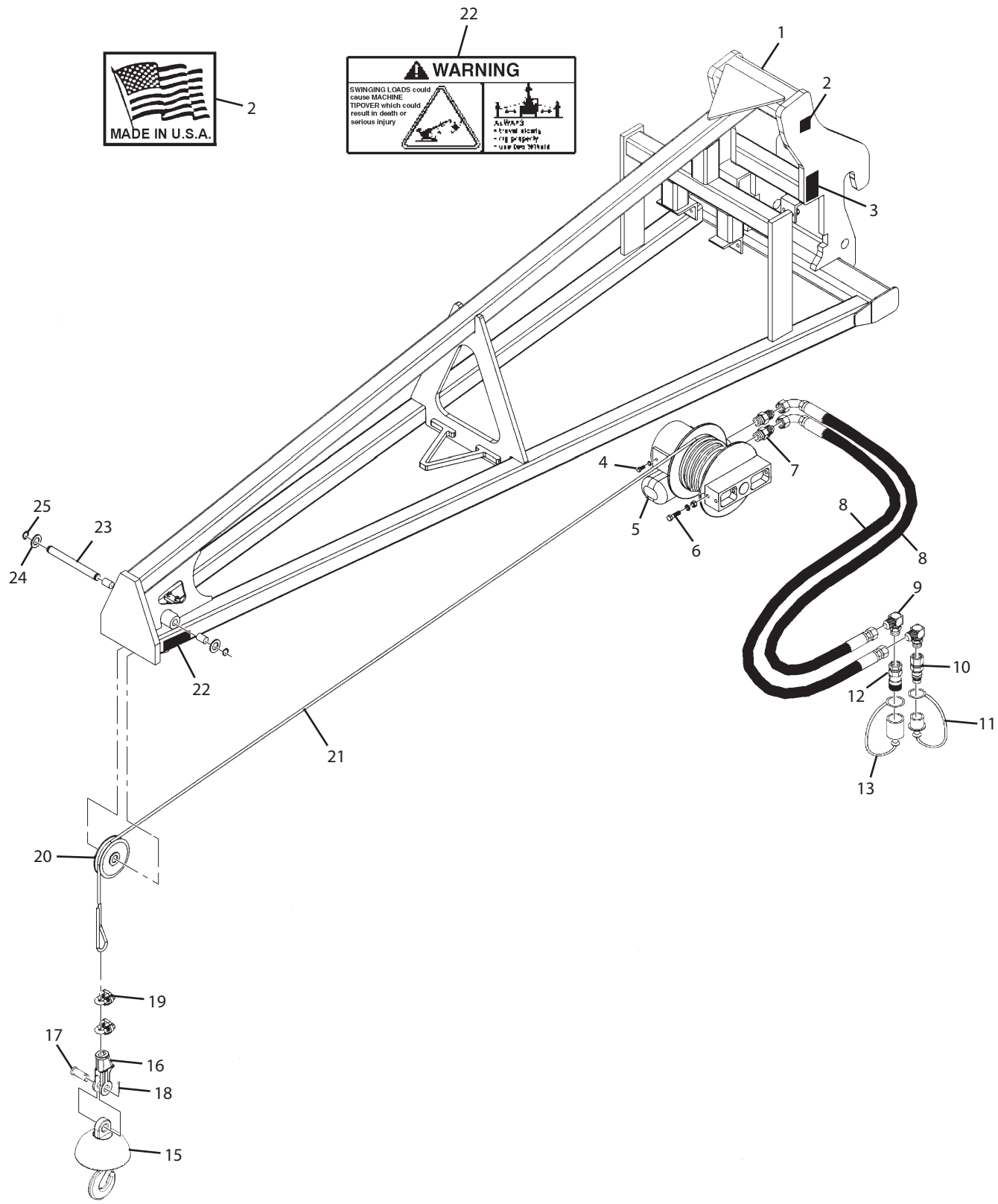
Figure 3-6 3 FT Truss Boom With Winch

Item	Part Number	Qty.	Description	Rev.
	7139608	1	3 FT TRUSS BOOM WITH WINCH, (8042 S/N 13198 thru 19987 & 0160002332 thru 0160034050), (10042 S/N 13198 thru 19987 & 0160002332 thru 0160033706), (10054 S/N 13198 thru 19987 & 0160002332 thru 0160033738), (includes all items)	G
	1001100967	1	3 FT TRUSS BOOM WITH WINCH, (8042 S/N 0160034051 & After), (10042 S/N 0160033707 & After), (10054 S/N 0160033739 & After), (includes items 1 & 2)	A
1	8380008	1	3 FT TRUSS BOOM WITH WINCH, (includes items 102 thru 131)	
2	NSS	1	S/N/CAPACITY PLATE	
3	7301040	1	LOAD CHART BOOKLET, (not shown)	
102	70021921	1	WINCH	
103	90554042	4	LOCKWASHER, 3/8	
104	70021349	4	HEX HD CAPSCREW, 3/8X1	
105	70024059	2	HEX HD CAPSCREW, 1/2X1-3/4	
106	90554020	2	LOCKWASHER, 1/2	
107	90554054	2	HEX NUT, 1/2	
108	70022028	1	CABLE	
109	70021935	1	PULLEY	
110	70022529	1	PIN	
111	70024060	2	HARDENED FLAT WASHER	
112	70024061	2	SNAP RING	
113	70021979	1	SOCKET ASSY, (includes items 114 & 115)	
114	NSS	1	PIN	
115	NSS	1	COTTER PIN	
116	70022528	1	CLAMP	
117	70021978	1	BALL SWIVEL WITH SAFETY HOOK	
118	2220371	2	CONNECTOR	
119	70021977	2	HOSE ASSY, 3/8X32	
120	2220628	2	ELBOW, 90 DEGREES	
121	91403413	1	QUICK DISCONNECT COUPLER	
122	91043126	1	DUST CAP	
123	91403414	1	QUICK DISCONNECT NIPPLE	
124	91043125	1	DUST PLUG	
125	70021387	1	CLAMP	
126	70024062	2	CAPACITY DECAL	
127	70024063	4	ROTATING PART DECAL	
128	70024064	1	DO NOT TOW DECAL	
129	NSS	1	S/N PLATE	
130	90554018	1	HIGH PRESSURE WARNING DECAL	
131	90554016	1	USA DECAL	



ATTACHMENTS

Figure 3-7 12 FT. Truss Boom With Winch



PAP3440

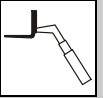


Figure 3-7 12 FT. Truss Boom With Winch

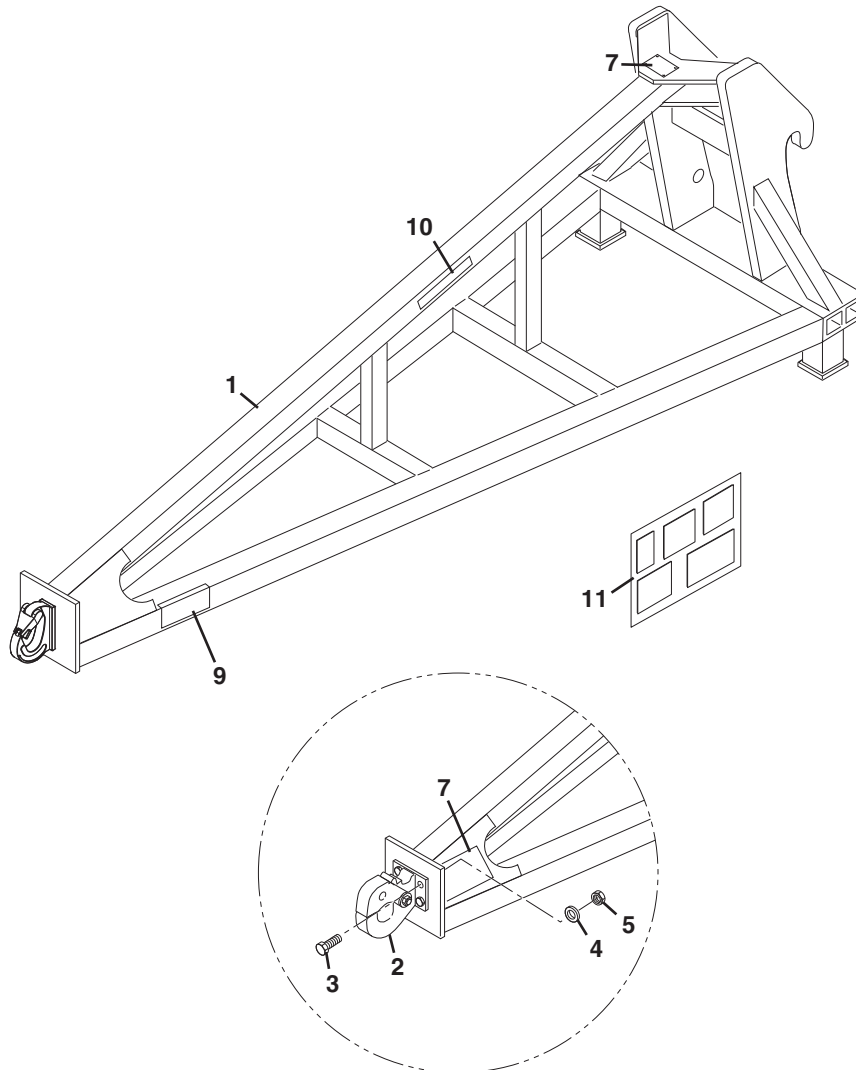
Item	Part Number	Qty.	Description	Rev.
	1001099351	1	12 FT TRUSS BOOM WITH WINCH, (includes all items)	F, C
1	NSS	1	TRUSS BOOM FRAME	
2	90554016	1	USA DECAL	
3	NSS	1	S/N PLATE	
4	70021349	4	HEX HD CAPSCREW, 3/8X1	
	90554042	4	LOCK WASHER, 3/8	
5	70021921	1	TRUSS BOOM WINCH MOTOR	
6	NSS	2	HEX HD CAPSCREW, 1/2X1.75	
	90554020	2	LOCK WASHER, 1/2	
	90554054	2	HEX NUT, 1/2	
7	70021415	2	CONNECTOR	
8	70021977	2	HOSE ASSY, 3/8X32	
9	NSS	1	ELBOW, 90 DEGREES	
10	7029692	1	MALE QUICK COUPLER	
11	90554062	1	DUST CAP	
12	70021342	1	FEMALE QUICK COUPLER	
13	90554076	1	DUST COVER	
15	70021978	1	BALL SWIVEL WITH SAFETY HOOK	
16	70021979	1	SOCKET ASSY, (includes items 17 & 18)	
17	NSS	1	PIN	
18	NSS	1	COTTER PIN	
19	NSS	2	CLAMP	
20	70021935	1	PULLEY	
21	70022028	1	CABLE	
22	4110422	2	WARNING SWINGING LOADS DECAL	
23	NSS	1	PIN	
24	NSS	2	FLAT WASHER, 1	
25	NSS	2	SNAP RING	



ATTACHMENTS

8042 Before S/N 0160037799
10042 Before S/N 0160037798
10054 Before S/N 0160037793

Figure 3-8 Truss Boom



8042 S/N 13198 THRU 19987 & 0160002332 THRU 0160032260
10042 S/N 13198 THRU 19987 & 0160002332 THRU 0160031656
10054 S/N 13198 THRU 19987 & 0160002332 THRU 0160032228

PH4451

8042 Before S/N 0160037799
 10042 Before S/N 0160037798
 10054 Before S/N 0160037793

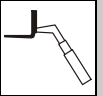


Figure 3-8 Truss Boom

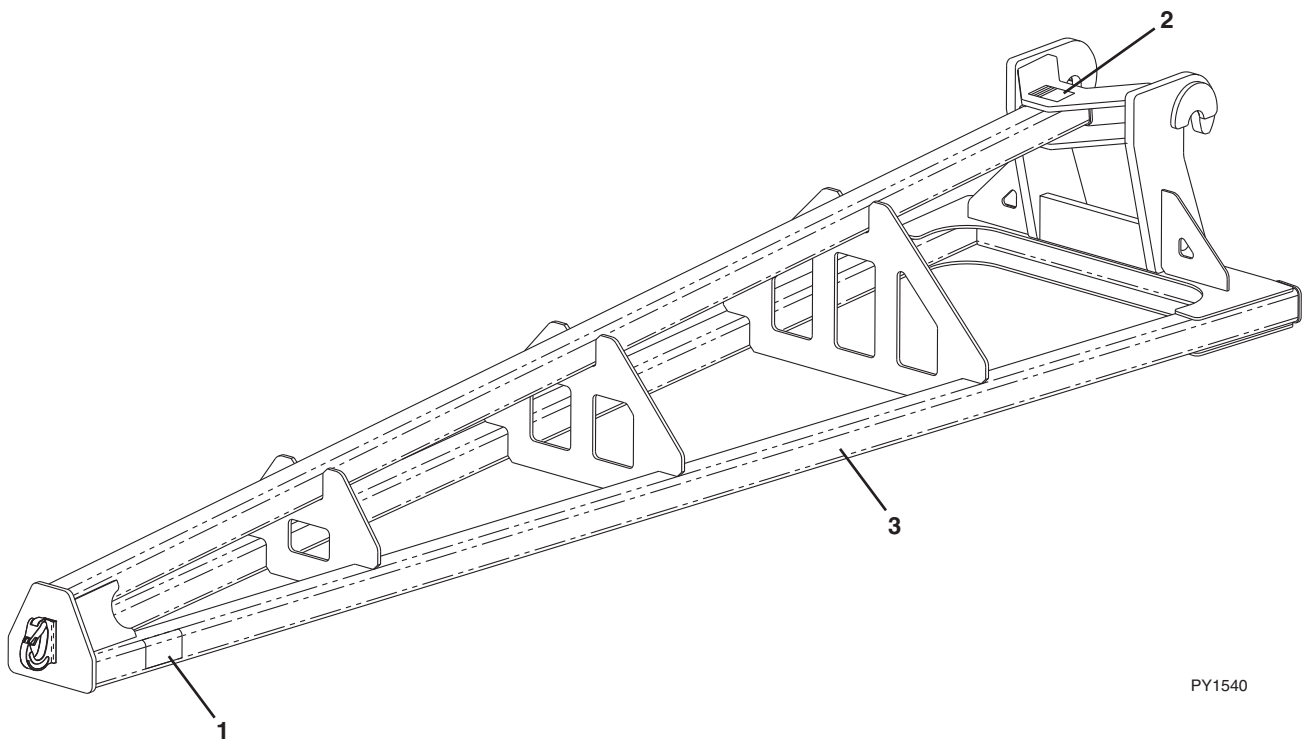
Item	Part Number	Qty.	Description	Rev.
1	7113024	1	12 FT TRUSS BOOM ASSY, (8042), (includes all items)	
	7119800	1	15 FT TRUSS BOOM ASSY, (10042 & 10054), (includes all items)	
	7112804	1	15 FT TRUSS BOOM ASSY, (10042 & 10054), (includes all items)	
2	7113034		TRUSS BOOM WELDMENT, (8042)	
	7112814		TRUSS BOOM WELDMENT, (10042 & 10054)	
3	8382017	1	PINTLE HOOK, (8042 S/N 13198 thru 19987 & 0160002332 thru 0160032259), (10042 S/N 13198 thru 19987 & 0160002332 thru 0160031656), (10054 S/N 13198 thru 19987 & 0160002332 thru 0160032261)	
4	8310195	4	HEX HD CAPSCREW, 1/2-13X1.75, (8042 S/N 13198 thru 19987 & 0160002332 thru 0160032259), (10042 S/N 13198 thru 19987 & 0160002332 thru 0160031656), (10054 S/N 13198 thru 19987 & 0160002332 thru 0160032261)	
5	8307112	4	PLAIN WASHER, 1/2, (8042 S/N 13198 thru 19987 & 0160002332 thru 0160032259), (10042 S/N 13198 thru 19987 & 0160002332 thru 0160031656), (10054 S/N 13198 thru 19987 & 0160002332 thru 0160032261)	
6	8305644	4	HEX LOCKNUT, 1/2-13, (8042 S/N 13198 thru 19987 & 0160002332 thru 0160032259), (10042 S/N 13198 thru 19987 & 0160002332 thru 0160031656), (10054 S/N 13198 thru 19987 & 0160002332 thru 0160032261)	
7	NSS	1	S/N/CAPACITY PLATE	
8	4110422	2	SWINGING LOAD DECAL	
9	4107832	2	LENGTH/CAPACITY DECAL	
10		Ref	CAPACITY CHART, (see Figure 11-1 for details)	
11				



ATTACHMENTS

8042 S/N 0160037799 & After
10042 S/N 0160037798 & After
10054 S/N 0160037793 & After

Figure 3-8 Truss Boom



PY1540

8042 S/N 0160037799 & After
10042 S/N 0160037798 & After
10054 S/N 0160037793 & After

ATTACHMENTS

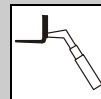
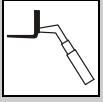


Figure 3-8 Truss Boom

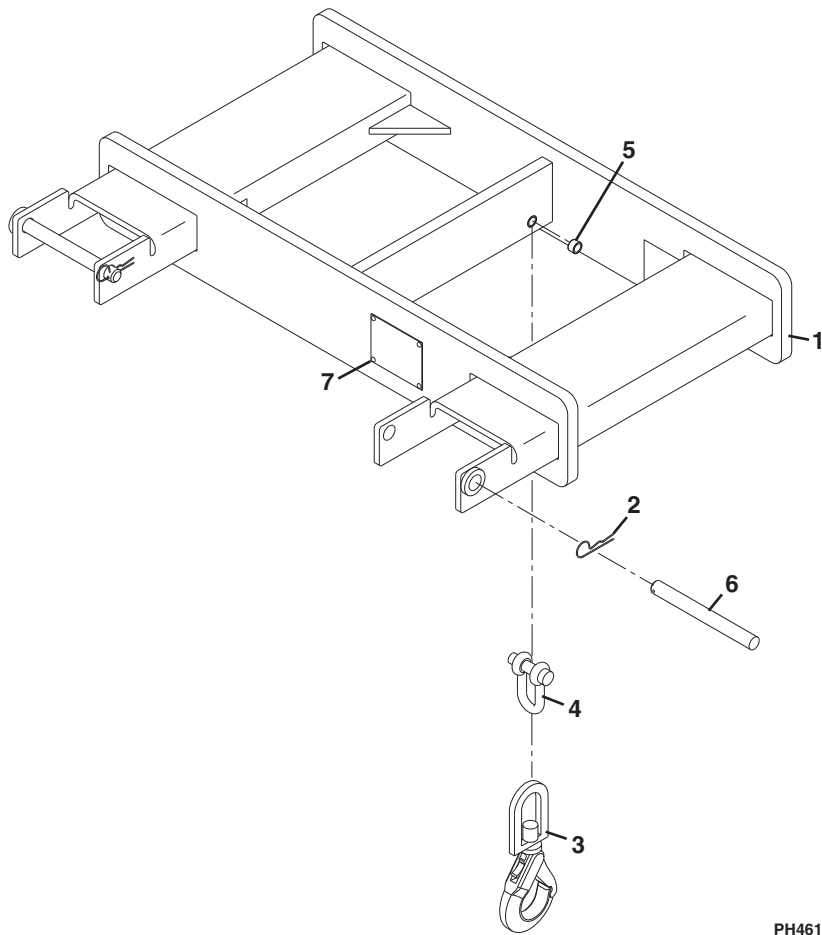
Item	Part Number	Qty.	Description	Rev.
	1001099902	1	12 FT TRUSS BOOM, (includes all items)	
	1001099901	1	15 FT TRUSS BOOM, (includes all items)	
1	4110422	2	WARNING SWINGING LOADS DECAL	
2	NSS	1	S/N PLATE	
3	NSS	1	TRUSS BOOM	



ATTACHMENTS

Figure 3-9 Lifting Hook

NOTE: PALLET/LUMBER FORKS OF AN APPROPRIATE LOAD RATING MUST BE USED.



PH4611

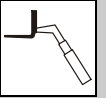
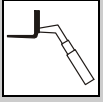


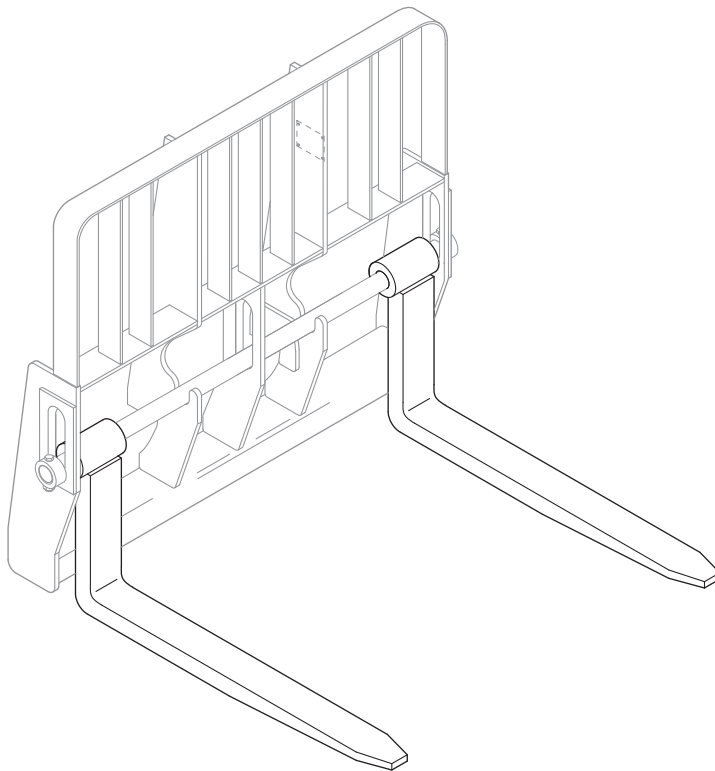
Figure 3-9 Lifting Hook

Item	Part Number	Qty.	Description	Rev.
1	91565094	1	LIFTING HOOK ATTACHMENT, (includes all items)	F
2	7029520	2	HAIRPIN CLIP	
3	90554080	1	SLING HOOK	
4	7029521	1	CHAIN SHACKLE ASSY, (includes pin), 12,000LB	
5	70020555	1	SPRING BUSHING	
6	1001093171	2	PIN	
7	NSS	1	S/N ATTACHMENT PLATE	



ATTACHMENTS

Figure 3-10 Forks



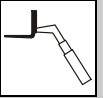


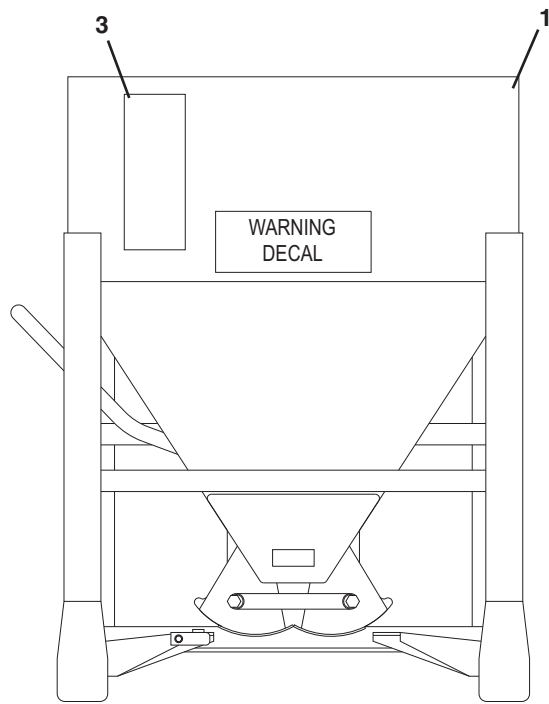
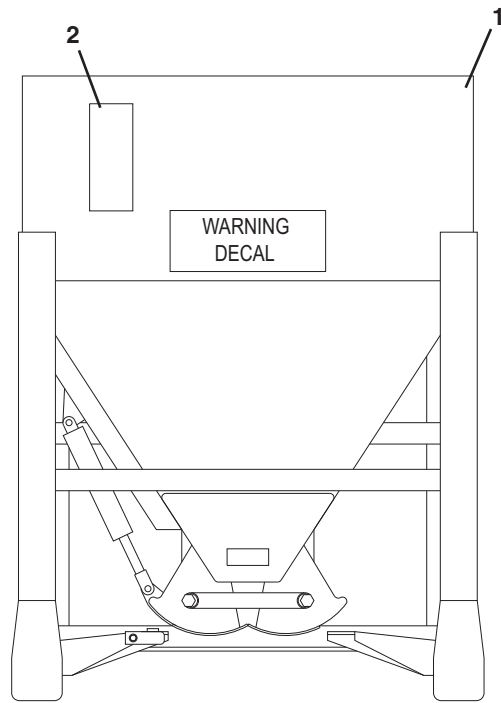
Figure 3-10 Forks

Item	Part Number	Qty.	Description	Rev.
	2340037	6	CUBING FORK, 48X2X2, 11,640 lbs	A
	7301408	2	PALLET FORK, 48X4X2.25	D
	2340045	2	PALLET FORK, 48X4X2.36, 10,950 lbs	A
	2340038	2	PALLET FORK, 48X5X2.36, 13,700 lbs	A
	7139747	2	BLOCKING FORK, 48X2X2	C
	2340039	2	DUAL TAPER FORK, 60X6X2.36, 16,300 lbs	A
	7139746	2	LUMBER FORK, 60X7X1.75	C
	2340046	2	DUAL TAPER FORK, 60X7X1.75, 10,800 lbs	A
	1001092391	2	DUAL TAPER FORK, 72X6X2, 11,300 lbs	A
	1001137512	2	90 IN FORK EXTENSION, (not shown), (includes items 1 & 2)	A
1	70024306	1	PIN, (not shown)	
2	70024307	1	CLIP, (not shown)	
N1	Note	Ref	FORKS RATED LESS THAN THE ATTACHMENT OR MACHINE'S CAPACITY DECREASES CAPACITY OF THE ATTACHMENT OR MACHINE TO THAT OF THE FORKS. FORKS RATED MORE THAN THE ATTACHMENT OR MACHINE'S CAPACITY DO NOT INCREASE ATTACHMENT OR MACHINE'S CAPACITY.	
N2	Note	Ref	PLEASE CONSULT JLG PARTS DEPARTMENT TO DETERMINE THE CORRECT FORKS APPLICABLE TO YOUR SPECIFIC CARRIAGE ASSEMBLY AND APPLICATION.	



ATTACHMENTS

Figure 3-11 Concrete Bucket



PH4741

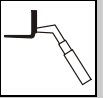
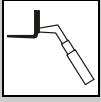


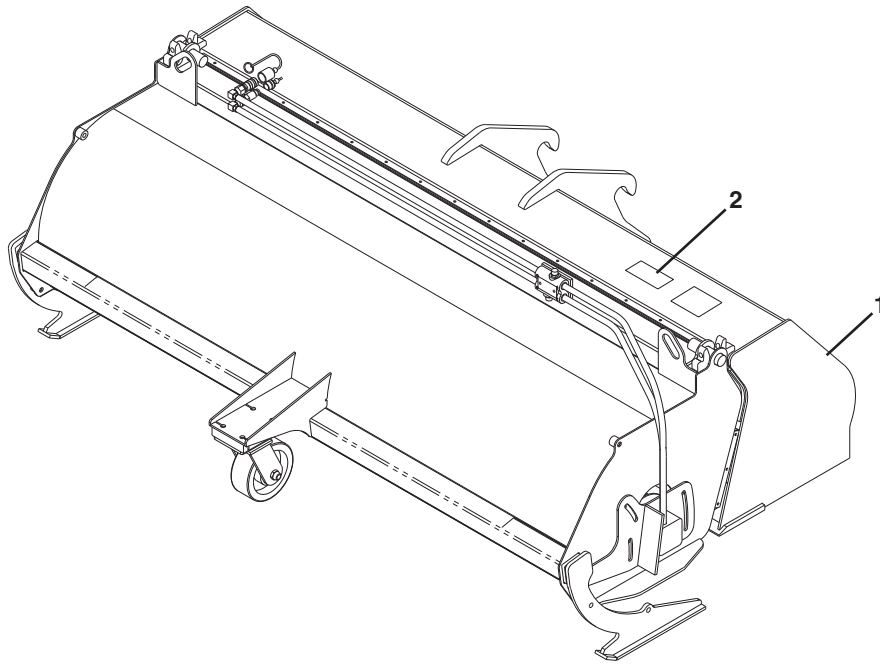
Figure 3-11 Concrete Bucket

Item	Part Number	Qty.	Description	Rev.
1	8866442	1	CONCRETE BUCKET, 1/2 YD ³ , HYDRAULIC, (includes item 2)	B
	8866444	1	CONCRETE BUCKET, 1/2 YD ³ , MANUAL, (includes item 2)	B
	8866441	1	CONCRETE BUCKET, 1 YD ³ , HYDRAULIC, (10042/10054) , (includes item 3)	B
	8866443	1	CONCRETE BUCKET, 1 YD ³ , MANUAL, (10042/10054) , (includes item 3)	B
2	NSS	2	S/N PLATE	
3	NSS	2	S/N PLATE	
4	8866446	1	4 IN DISCHARGE HOSE, (not shown)	
	8866561	1	4 IN DISCHARGE HOSE WITH GATE, (not shown)	
5	8866464	1	6 IN DISCHARGE HOSE, (not shown)	
6	8866560	1	8 IN DISCHARGE HOSE, (not shown)	
7	8866445	1	RUBBER SIDE DISCHARGE CHUTE, (not shown)	

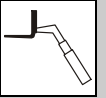


ATTACHMENTS

Figure 3-12 Sweeper Assembly



PH4770

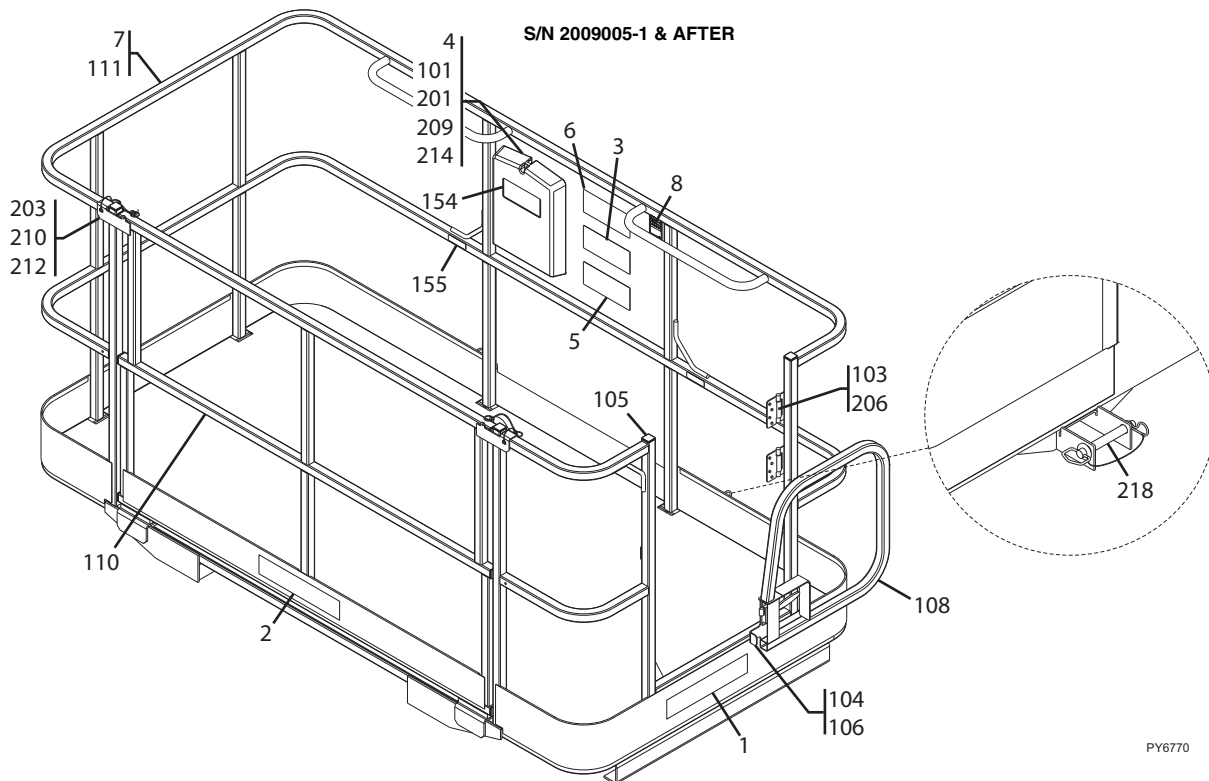
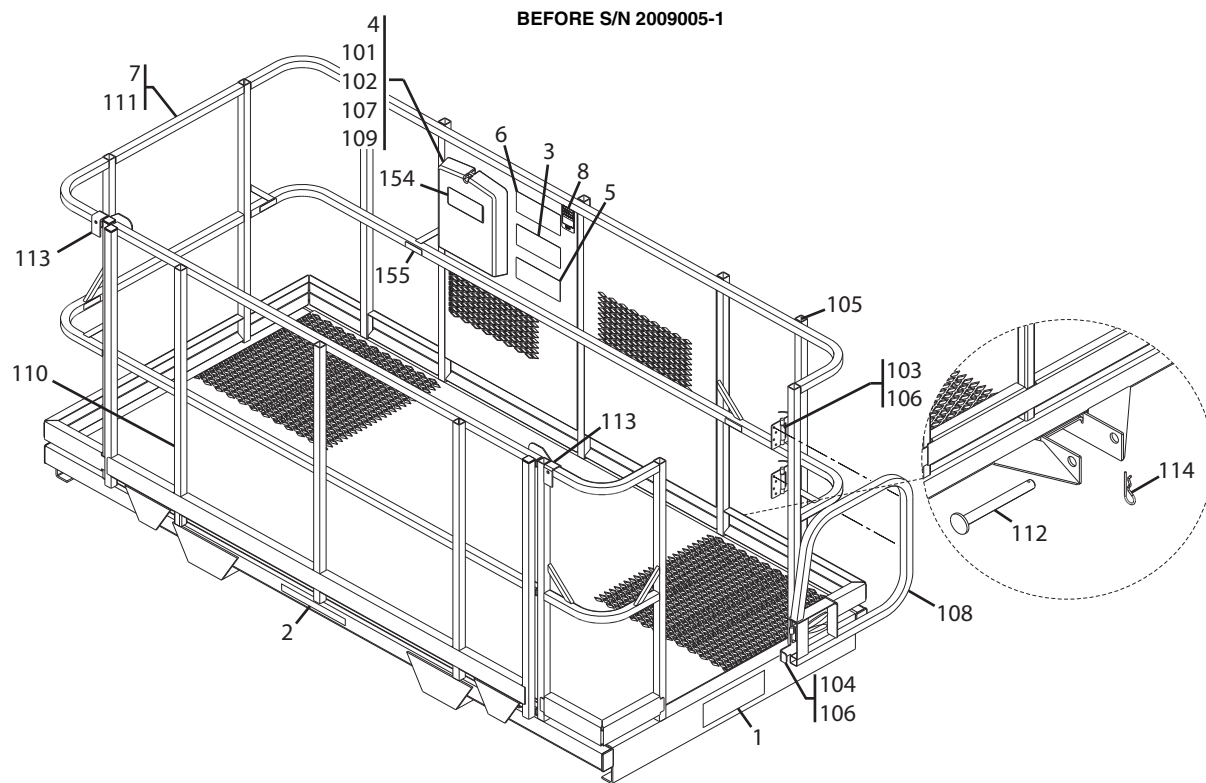
**Figure 3-12 Sweeper Assembly**

Item	Part Number	Qty.	Description	Rev.
	7301180	1	SWEEPER ASSY, (includes all items)	B
1	7301718	1	24 IN SWEEPER WITH BUCKET	
2	NSS	1	S/N PLATE	
4	4110461	1	WARNING DECAL, (not shown)	



ATTACHMENTS

Figure 3-13 Fork Mounted Platform



PY6770

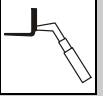


Figure 3-13 Fork Mounted Platform

Item	Part Number	Qty.	Description	Rev.
	1001092280	Ref	FORK MOUNTED PLATFORM, (Before S/N 2009005-1), (ASME), (no longer available, order 1001103637 for replacement or items 1 thru 8 for service)	E
	1001103637	1	FORK MOUNTED PLATFORM, (S/N 2009005-1 & After) (ASME), (includes items 1 thru 8)	B
	1001096306	Ref	FORK MOUNTED PLATFORM, (Before S/N 2009005-1), (ISO), (no longer available, order 1001103730 for replacement or items 1 thru 8 for service)	C
	1001103730	1	FORK MOUNTED PLATFORM, (S/N 2009005-1 & After), (ISO), (includes items 1 thru 8)	B
	1001097072	Ref	FORK MOUNTED PLATFORM, (Before S/N 2009005-1), (ASME - FRENCH), (no longer available, order 1001103736 for replacement or items 1 thru 8 for service)	C
	1001103736	1	FORK MOUNTED PLATFORM, (S/N 2009005-1 & After), (ASME - FRENCH), (includes 1 thru 8)	B
1	1702773	2	JLG DECAL	
2	1704885	1	WEBSITE DECAL	
3	1706892	1	PLATFORM WARNING DECAL, (ASME)	
	1001096025	1	PLATFORM WARNING DECAL, (ISO)	
	1001096024	1	PLATFORM WARNING DECAL, (ASME - FRENCH)	
4	31200160	1	OPERATION & SAFETY MANUAL, (ASME)	
	31200387	1	OPERATION & SAFETY MANUAL, (ISO - SPANISH)	
	31200388	1	OPERATION & SAFETY MANUAL, (ISO - PORTUGUESE)	
	31200386	1	OPERATION & SAFETY MANUAL, (ASME - FRENCH)	
5	1001092481	1	WARNING DECAL, (ASME)	
	1001096021	1	WARNING DECAL, (ISO)	
	1001096019	1	WARNING DECAL, (ASME - FRENCH)	
6	1001092482	1	CAPACITY DECAL, (ASME)	
	1001096023	1	CAPACITY DECAL, (ISO)	
	1001096020	1	CAPACITY DECAL, (ASME - FRENCH)	
7	NSS	1	FORK MOUNTED PLATFORM, (Before S/N 2009005-1), (includes items 101 thru 114, 154 & 155)	B
	NSS	1	FORK MOUNTED PLATFORM, (S/N 2009005-1 & After), (includes items 101, 103 thru 106, 108, 110, 111, 154, 155, 201, 203, 206, 210, 212, 214 & 218)	H
8	NSS	1	S/N PLATE	
101	0860520	1	MANUAL STORAGE BOX	
102	2080044	4	RIVNUT FASTENER 1/4-20	
103	2600281	2	HINGE	
104	2940074	1	LATCH	
105	3520198	21	PLUG, (Before S/N 2009005-1)	
	3520072	10	PLUG, (S/N 2009005-1 & After)	
106	3820020	20	POP RIVET, (Before S/N 2009005-1)	
	3820020	4	POP RIVET, (S/N 2009005-1 & After)	
107	4751400	4	WASHER, 1/4	
108	4846452	1	GATE WELDMENT	
109	80263012	4	SCREW WHIZ LOCK 1/4-20 X 1/2	
110	1001093140	1	GATE WELDMENT, (Before S/N 2009005-1)	
	1001095810	1	GATE WELDMENT, (S/N 2009005-1 & After)	
111	NSS	1	PLATFORM WELDMENT	



ATTACHMENTS

Figure 3-13 Fork Mounted Platform (Continued)

Item	Part Number	Qty.	Description	Rev.
112	1001093171	2	PIN	
113	1001097168	2	PIN, SAFETY SNAP, WITH LANYARD	
114	1001098582	2	LYNCH PIN 3/16 WITH LANYARD	
154	1701509	1	MANUAL DECAL	
155	1704277	3	LANYARD ATTACH DECAL	
201	0641405	4	HEX HD CAPSCREW, 1/4-20X5/8	
203	1060379	2	6 IN LANYARD CABLE	
206	2080040	16	FASTENER	
209	3311405	4	HEX NUT, 1/4-20	
210	3421453	2	PIN	
212	3760170	4	RING	
214	4711400	8	WASHER, 1/4	
218	1001102813	2	HITCH PIN	

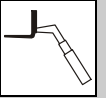


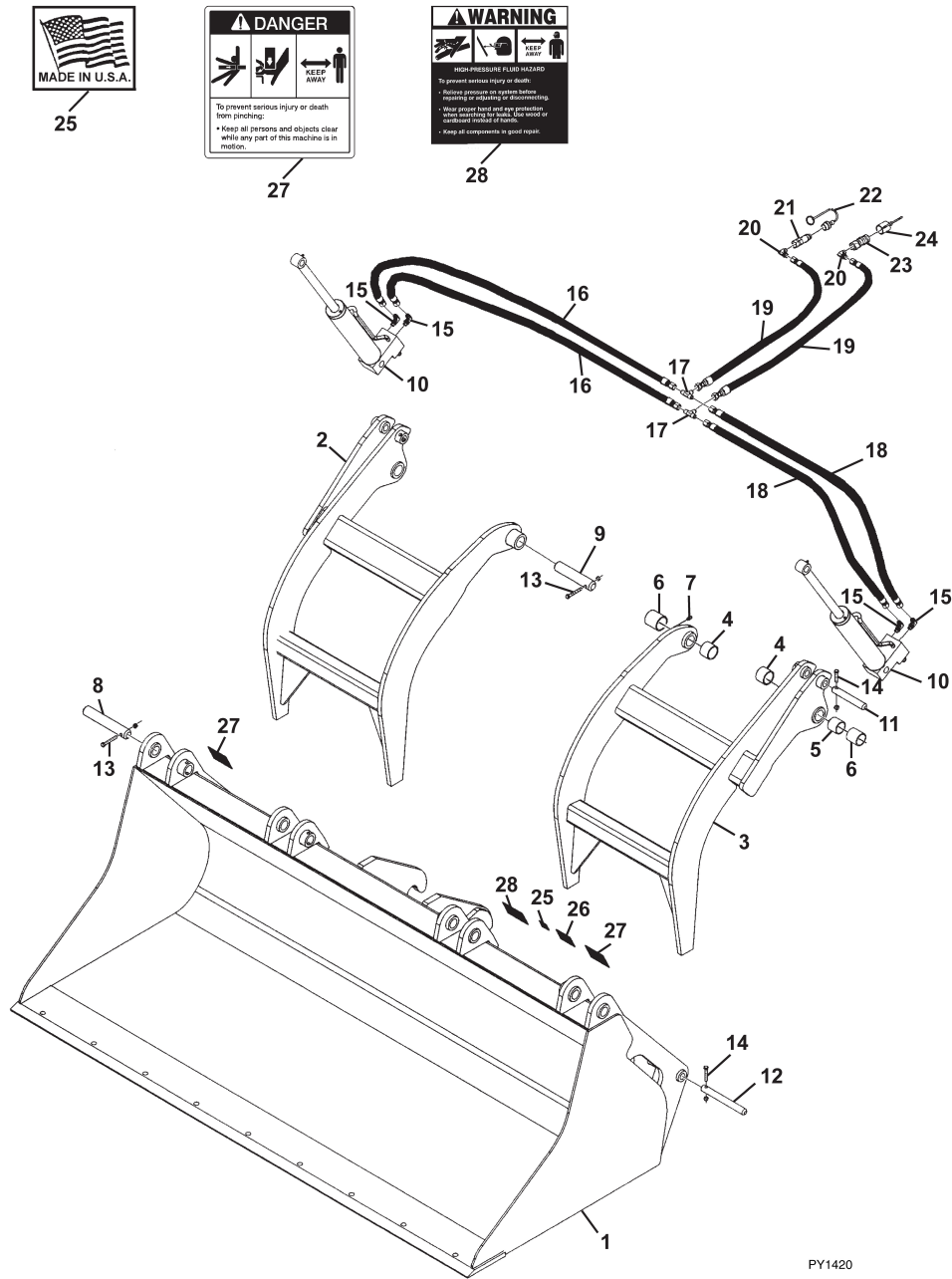
Figure 3-13 Fork Mounted Platform (Continued)

Item	Part Number	Qty.	Description	Rev.



ATTACHMENTS

Figure 3-14 Grapple Bucket



PY1420

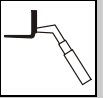


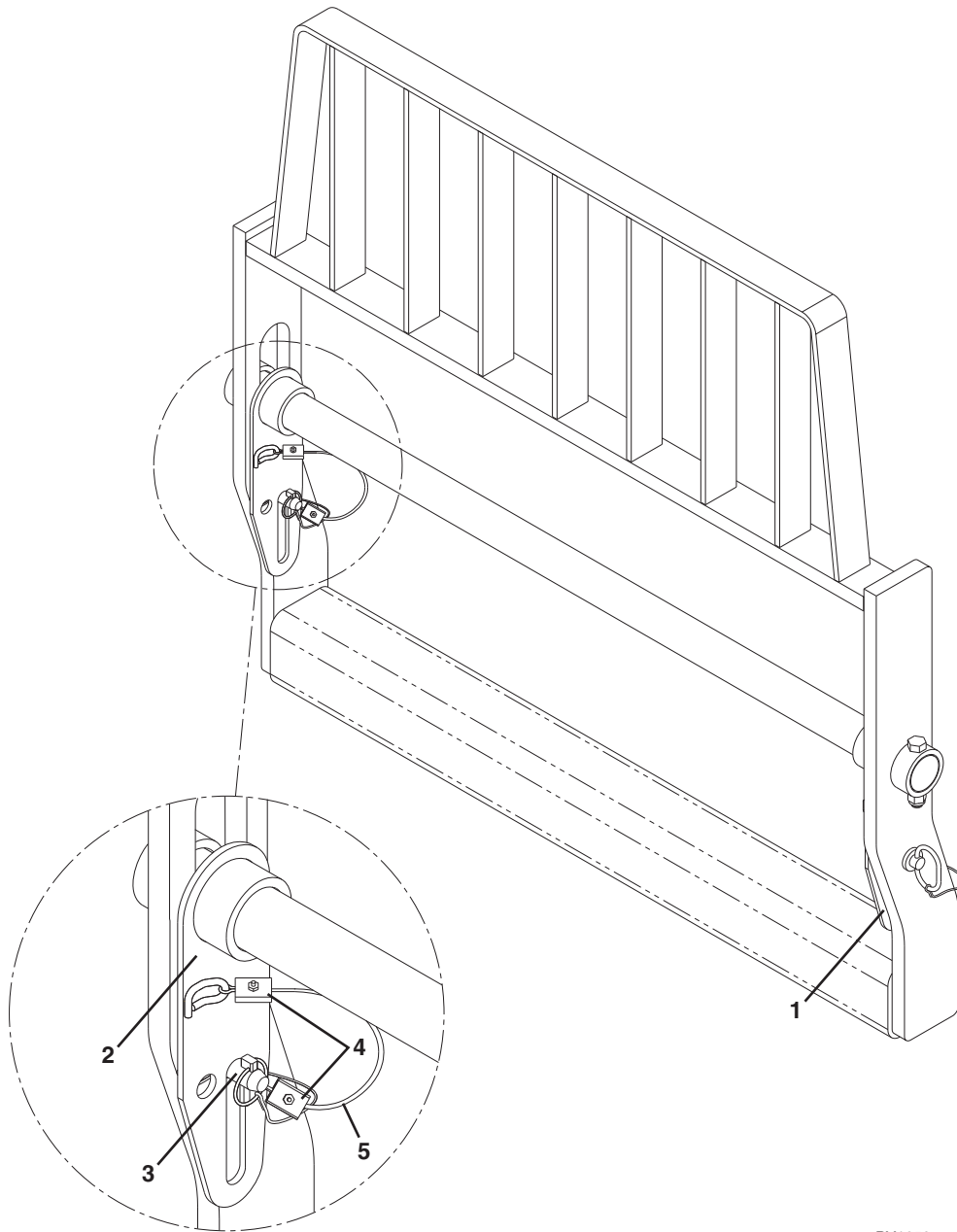
Figure 3-14 Grapple Bucket

Item	Part Number	Qty.	Description	Rev.
	0930020	1	GRAPPLE BUCKET, (includes all items)	G
1	NSS	1	BUCKET	
	70021387	4	HOSE CLAMP	
2	70021391	1	RIGHT GRAPPLE HOOK	
3	70021392	1	LEFT GRAPPLE HOOK	
4	70021358	4	BUSHING	
5	70021359	2	SPACER	
6	70021360	4	BUSHING	
7	7029714	4	GREASE FITTING	
8	70021361	2	OUTER PIVOT PIN	
9	70021362	2	INNER PIVOT PIN	
10		Ref	CYLINDER ASSY, (see Figure 9-14 for details)	
11	70021364	2	PIN	
12	70021365	2	PIN	
13	70021366	4	HEX HD CAPSCREW, 3/8X2.75	
	70021367	4	LOCK NUT, 3/8	
14	70021399	4	HEX HD CAPSCREW, 3/8X2.25	
	70021367	4	LOCK NUT, 3/8	
15	90554065	4	ELBOW, 90 DEGREES	
16	70021980	2	HOSE ASSY, 3/8X73	
17	70020562	2	FITTING, TEE	
18	70021981	2	HOSE ASSY, 3/8X46	
19	70021982	2	HOSE ASSY, 3/8X34	
20	70022527	2	ELBOW, 90 DEGREES	
21	7029692	1	MALE QUICK COUPLER	
22	90554062	1	DUST COVER	
23	70021342	1	FEMALE QUICK COUPLER	
24	90554076	1	DUST COVER	
25	90554016	1	USA DECAL	
26	NSS	1	S/N PLATE	
27	90554017	2	DANGER PINCH POINT DECAL	
28	90554018	1	HIGH PRESSURE WARNING DECAL	

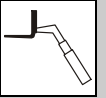


ATTACHMENTS

Figure 3-15 Fork Pin Lock Installation



PY1650

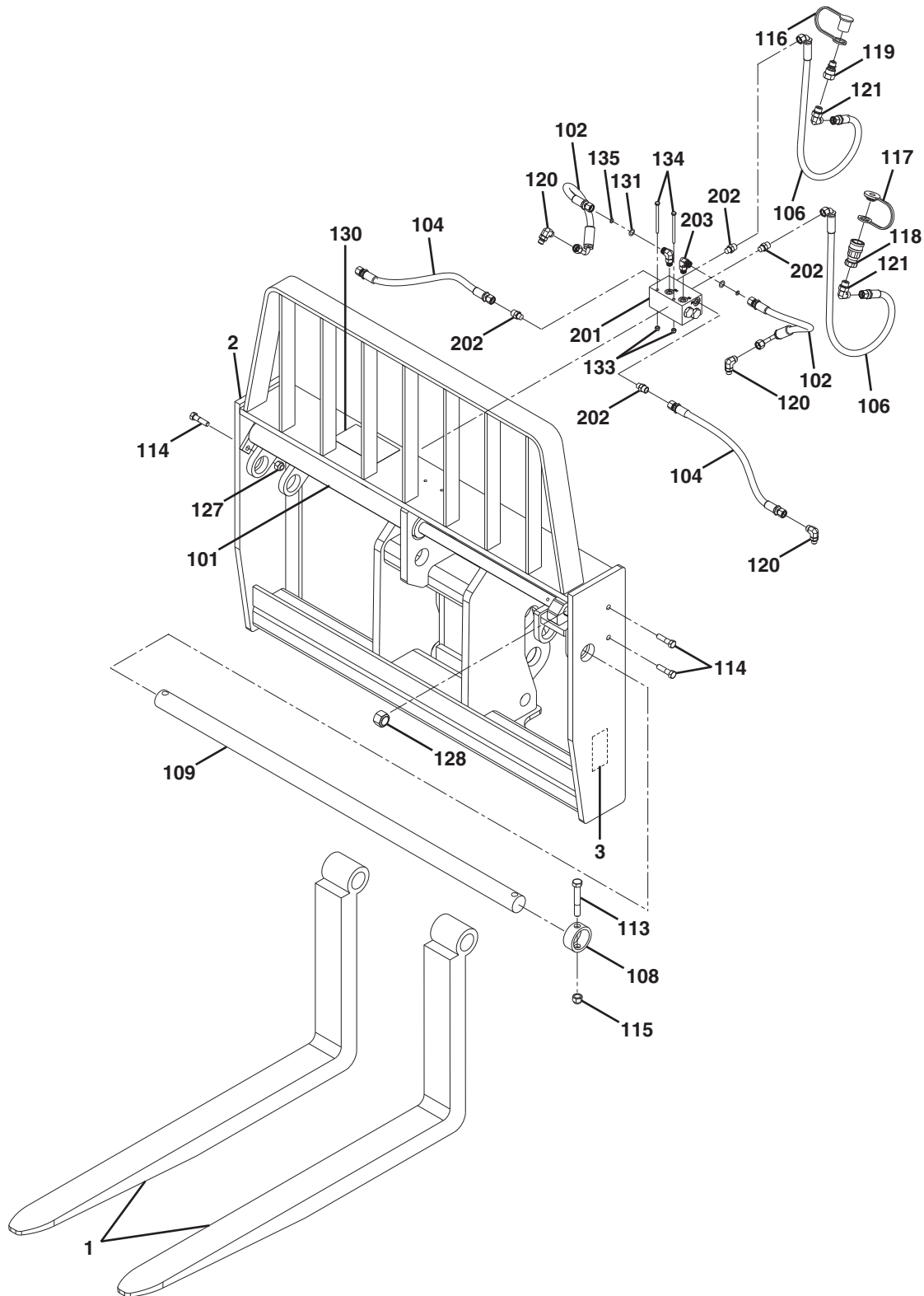
**Figure 3-15 Fork Pin Lock Installation**

Item	Part Number	Qty.	Description	Rev.
	1001093465	1	FORK PIN LOCK INSTALLATION, (includes all items)	
1	0240156	1	FORK PIN LOCK, LH	
2	1001093273	1	FORK PIN LOCK, RH	
3	1001093377	2	HITCH PIN	
4	1001094830	4	CLAMP	
5	1001094330	2	LANYARD	



ATTACHMENTS

Figure 3-16 Dual Fork Positioning Carriage Assembly



PH5130

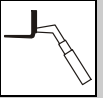
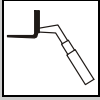


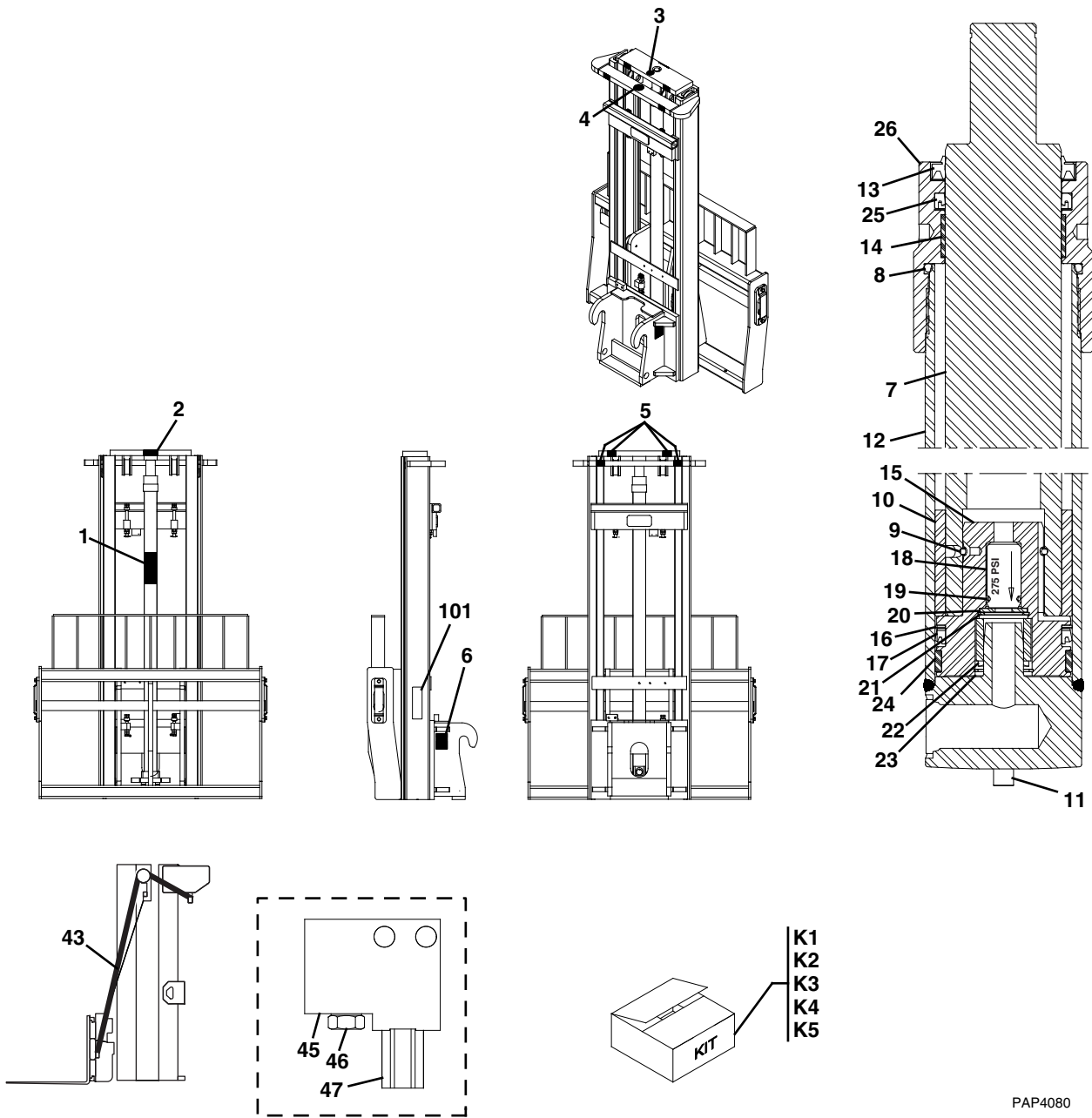
Figure 3-16 Dual Fork Positioning Carriage Assembly

Item	Part Number	Qty.	Description	Rev.
	7301295	1	50 IN DUAL FORK CARRIAGE ASSY, (includes items 1 thru 3)	D
1	7301408	2	PALLET FORK, (60X100X1220mm)	
2	7301568	1	50 IN CARRIAGE, (includes items 101 thru 135)	H
3	NSS	1	S/N PLATE	
101	2717283	2	FORK POSITIONING CYLINDER	
102	2717160	2	HOSE ASSY	
104	2717161	2	HOSE ASSY	
106	2717162	2	HOSE ASSY	
108	09020003	2	FORK PIN COLLAR	
109	90451058	1	FORK SHAFT	
113	8303634	2	HEX HD CAPSCREW, 5/8-11X4, GR5	
114	8303658	4	HEX HD CAPSCREW, 1/2-13X2, GR5	
115	8305643	2	HEX LOCKNUT, 5/8-11	
116	8420053	1	DUST CAP	
117	8420055	1	DUST PLUG	
118	91403413	1	CONNECTOR	
119	91403414	1	CONNECTOR	
120	2130606	4	ELBOW, 90 DEGREES, (includes o-ring)	
121	2130608	2	ELBOW, 90 DEGREES, (includes o-ring)	
127	8310302	4	HEX LOCKNUT, 1/2-13	
128	10705034	2	HEX LOCKNUT, 1-14	
130	4110473	1	HOSE ROUTING DECAL	
131	7139918	2	ORIFICE DISK	
132	4641502	1	VALVE ASSY, (includes items 201 thru 203)	B
133	8305624	2	HEX LOCKNUT, 1/4-20	
134	8310435	2	HEX HD CAPSCREW, 1/4-20X3-3/4, GR5	
135	8630003	2	O-RING	
201	4641501	1	FLOW DIVIDER VALVE	
202	2110606	4	CONNECTOR	
203	2130606	2	ELBOW, 90 DEGREES, (includes o-ring)	



ATTACHMENTS

Figure 3-17 8 Ft Standard Mast



PAP4080

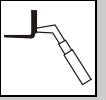
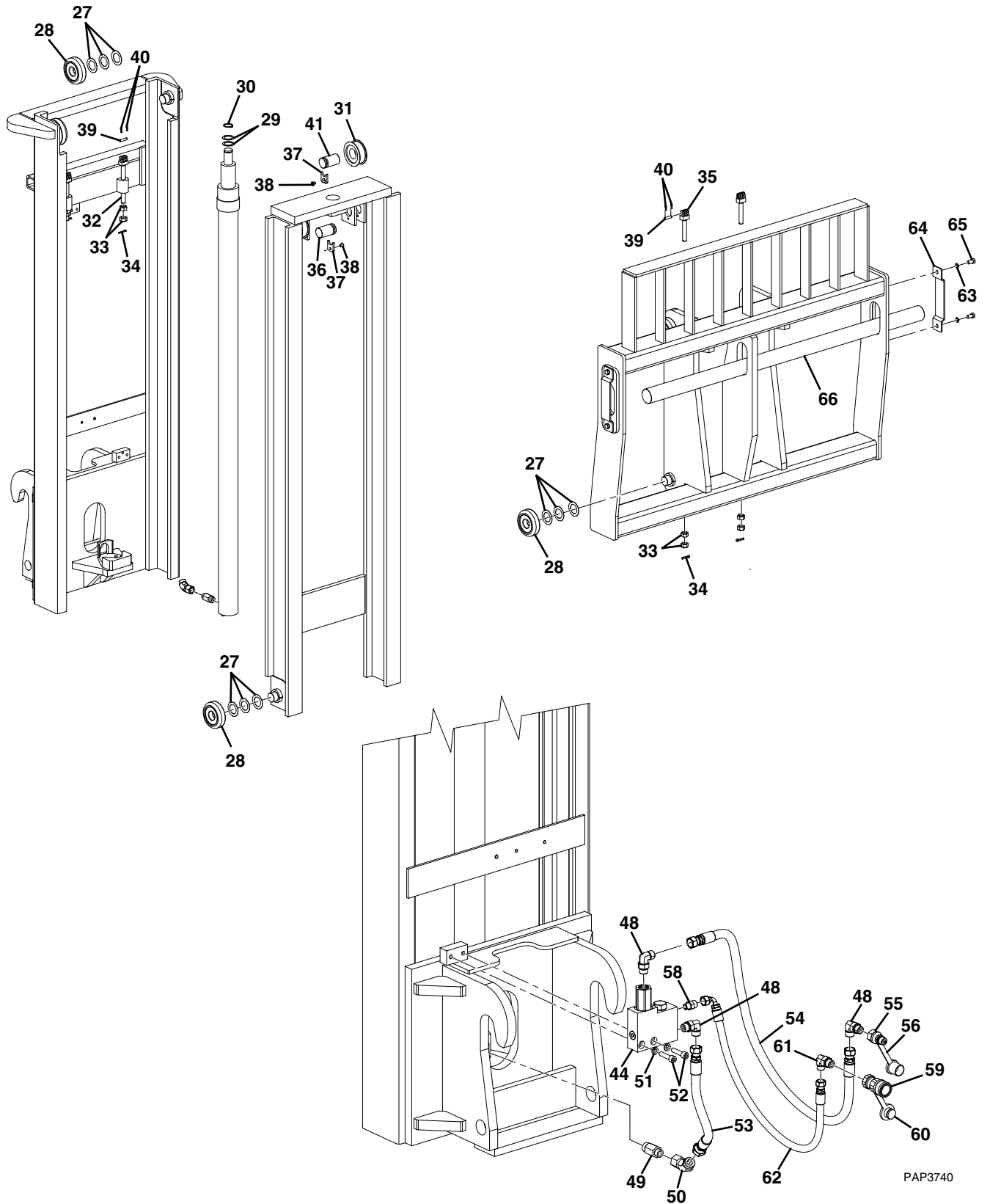
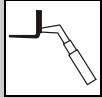


Figure 3-17 8 Ft Standard Mast (Continued)



PAP3740



ATTACHMENTS

Figure 3-17 8 Ft Standard Mast

Item	Part Number	Qty.	Description	Rev.
	1001108668	1	8 FT STANDARD MAST, (includes all items)	B
1	Use Kit K1	1	WARNING DECAL	
2	Use Kit K1	1	WARNING DECAL	
3	Use Kit K1	1	NO STEP DECAL	
4	Use Kit K1	1	NO STEP DECAL	
5	Use Kit K1	4	HANDS OFF DECAL	
6	1001111190	2	HOSE ROUTING	
	70023008	1	MAIN LIFT CYLINDER	
7	NSS	1	ROD/PLUNGER	
8	Use Kit K2	1	O-RING	
9	Use Kit K2	1	PULL WIRE	
10	NSS	1	SPACER	
11	NSS	2	ROLL PIN	
12	NSS	1	BARREL	
13	Use Kit K2	1	WIPER	
14	Use Kit K2	1	BUSHING	
15	NSS	1	PISTON	
16	Use Kit K2	1	NYLON RING	
17	Use Kit K2	1	PISTON SEAL	
18	Use Kit K3	1	CHECK VALVE	
19	Use Kit K2 or K3	1	O-RING	
20	Use Kit K3	1	WASHER	
21	Use Kit K2 or K3	1	CIRCLIP	
22	NSS	1	SLEEVE	
23	Use Kit K2 or K3	1	RETAINING RING	
24	Use Kit K2	1	WEAR RING	
25	Use Kit K2	1	ROD SEAL	
26	70023004	1	RETAINER/GLAND	
27	70023014	24	SHIM	
28	70022987	8	BALL BEARING	
29	Use Kit K5	2	WASHER SHIM	
30	70023016	1	SNAP RING	
31	70022969	2	SHEAVE ASSY	
32	70022960	2	CHAIN ANCHOR	
33	70022957	8	NUT, 0.625-18UNF	
34	70022993	4	COTTER PIN	
35	70022995	2	CHAIN ANCHOR	
36	70022984	1	SHEAVE SHAFT	
37	70022970	2	RETAINER BAR	
38	70023003	2	FLAT HD CAPSCREW	
39	70022994	4	CHAIN ANCHOR PIN	
40	70022992	8	COTTER PIN	
41	70022985	1	SHEAVE SHAFT	
43	70023009	2	LIFT CHAIN	
44	70022932	1	PO CHECK VALVE ASSY, (includes items 45, 46 & 47)	
45	NSS	1	MANIFOLD	
46	70022931	1	PO CHECK VALVE CARTRIDGE	
47	70023010	1	P.O. CHECK	
48	70022934	3	FITTING, 90 DEGREES	

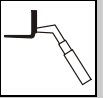
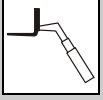


Figure 3-17 8 Ft Standard Mast (Continued)

Item	Part Number	Qty.	Description	Rev.
49	70022936	1	FLOW LIMITER	
50	70022937	1	FITTING, 45 DEGREES	
51	70022949	2	LOCKWASHER, M10	
52	70022950	2	HEX SOCKET CAPSCREW	
53	70022942	1	HOSE ASSY	
54	70022952	1	HOSE ASSY	
55	91403414	1	MALE QUICK DISCONNECT COUPLING	
56	91043126	1	DUST CAP	
58	70022939	1	STRAIGHT FITTING, #6	
59	91403413	1	FEMALE QUICK DISCONNECT COUPLING	
60	91043125	1	DUST PLUG	
61	70022935	1	ELBOW, STRAIGHT THREAD	
62	70022946	1	HOSE ASSY	
63	70022949	4	LOCKWASHER, M10	
64	70022980	2	FORK PIN KEEPER	
65	70022998	4	CAPSCREW, M10X20 LG	
66	70022990	1	FORK PIN	
101	NSS	1	S/N PLATE	
K1	70023925	1	DECAL KIT, (includes items 1 thru 6)	
K2	70023005	1	SEAL KIT, MAIN LIFT CYLINDER, (includes items 8, 9, 13, 14, 16, 17, 19, 21, 23, 24 & 25)	
K3	70023006	1	CHECK VALVE KIT, (includes items 18, 19, 20, 21 & 23)	
K4	70023007	1	SHIM KIT	
K5	70023015	1	MAST COMMON PARTS KIT, (includes items 27 thru 42)	

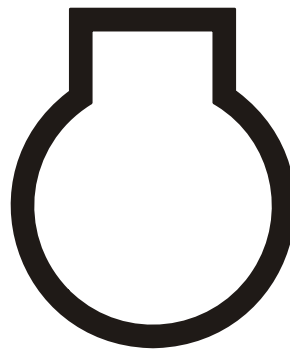


ATTACHMENTS

This Page Intentionally Left Blank

SECTION 4

ENGINE & ATTACHING PARTS

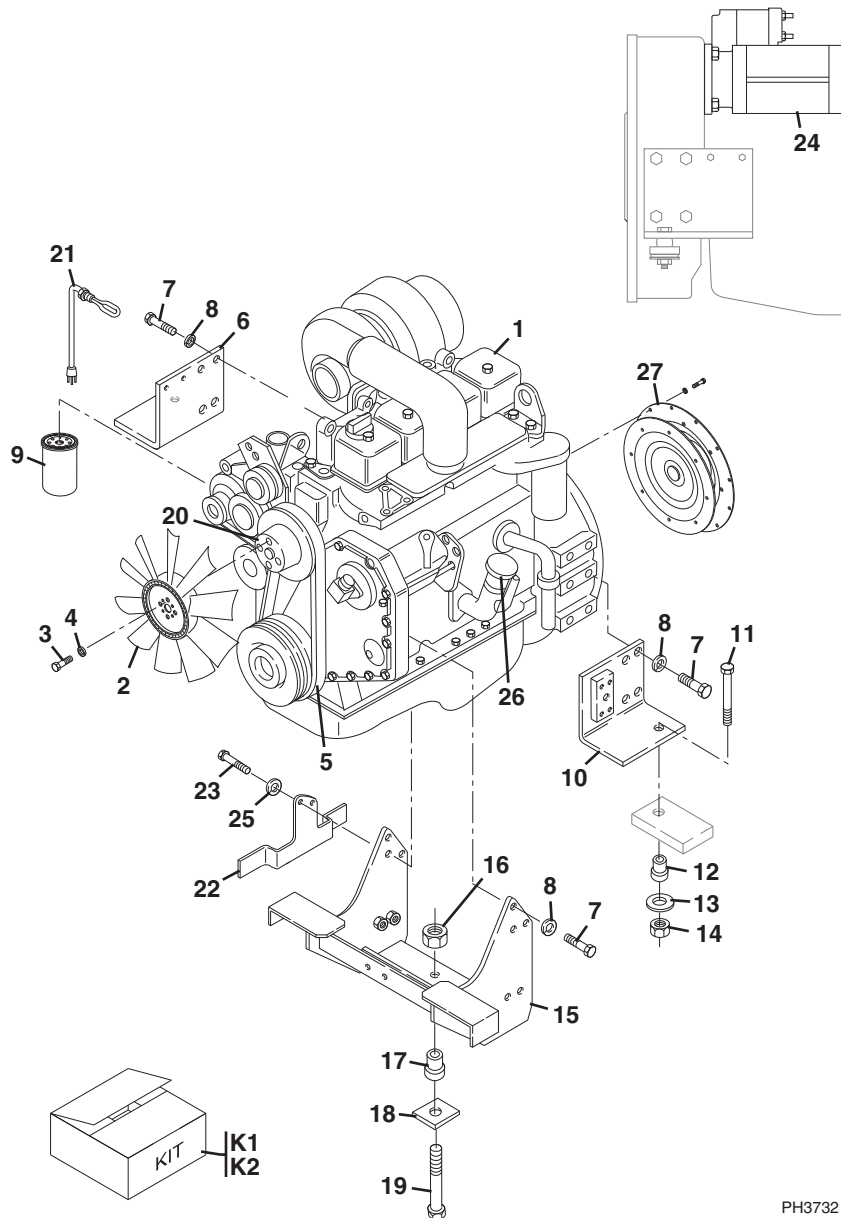




ENGINE & ATTACHING PARTS

8042 S/N 13198 thru 18990
10042 S/N 13198 thru 19030
10054 S/N 13198 thru 19079

Figure 4-1 Engine Mounting



PH3732

8042 S/N 13198 thru 18990
 10042 S/N 13198 thru 19030
 10054 S/N 13198 thru 19079

ENGINE & ATTACHING PARTS



Figure 4-1 Engine Mounting

Item	Part Number	Qty.	Description	Rev.
1	8262319	1	CUMMINS ENGINE, 4BT 3.9 TURBO, (8042)	
	8262320	1	CUMMINS ENGINE, 4BTA 3.9 AFTER COOLED TURBO, (10042 & 10054)	
2	8272017	1	FAN	
3	8310424	4	HEX HD CAPSCREW, M8X60mm	
4	8307222	4	FLAT WASHER, M8	
5	8080613	1	ENGINE FAN BELT	
6	7095272	1	ENGINE MOUNT, LH	
7	8303790	12	HEX HD CAPSCREW, M12X30mm	
8	8307025	12	LOCKWASHER, M12	
9	8320262	1	ENGINE OIL FILTER ELEMENT	
10	7138881	1	ENGINE MOUNT, RH	
11	8303702	2	HEX HD CAPSCREW, 1/2-13X3	
12	8278012	2	VIBRATION MOUNT	
13	7095831	2	REBOUND WASHER	
14	8305644	2	HEX LOCKNUT, 1/2-13	
15	7138813	1	ENGINE MOUNT	
16	8310067	1	HEX LOCKNUT, 3/4-10	
17	8278007	1	VIBRATION MOUNT	
18	7054351	1	REBOUND WASHER	
19	8303724	1	HEX HD CAPSCREW, 3/4-10X3-1/2	
20	8036544	1	FAN SPACER	
21	8277161	1	COOLANT HEATER	
22	7138318	1	MUFFLER BRACKET	
23	8303519	2	HEX HD CAPSCREW, M12X35mm	
24	8033340	1	STARTER, 12V, (includes solenoid)	
25	8307025	2	LOCKWASHER, M12	
26	83673130	1	OIL FILL CAP	
27		Ref	ISOLATION COUPLER, (see Figure 4-6 for details)	
K1	7138290	1	ENGINE FILTER KIT, 250 HOUR, (includes 3 filters: engine oil, primary fuel & in-line fuel)	
K2	8024000	1	ENGINE FILTER KIT, 1000 HOUR, (includes 7 filters: transmission oil, hydraulic oil, primary air, safety element air, engine oil, in-line fuel, primary fuel)	

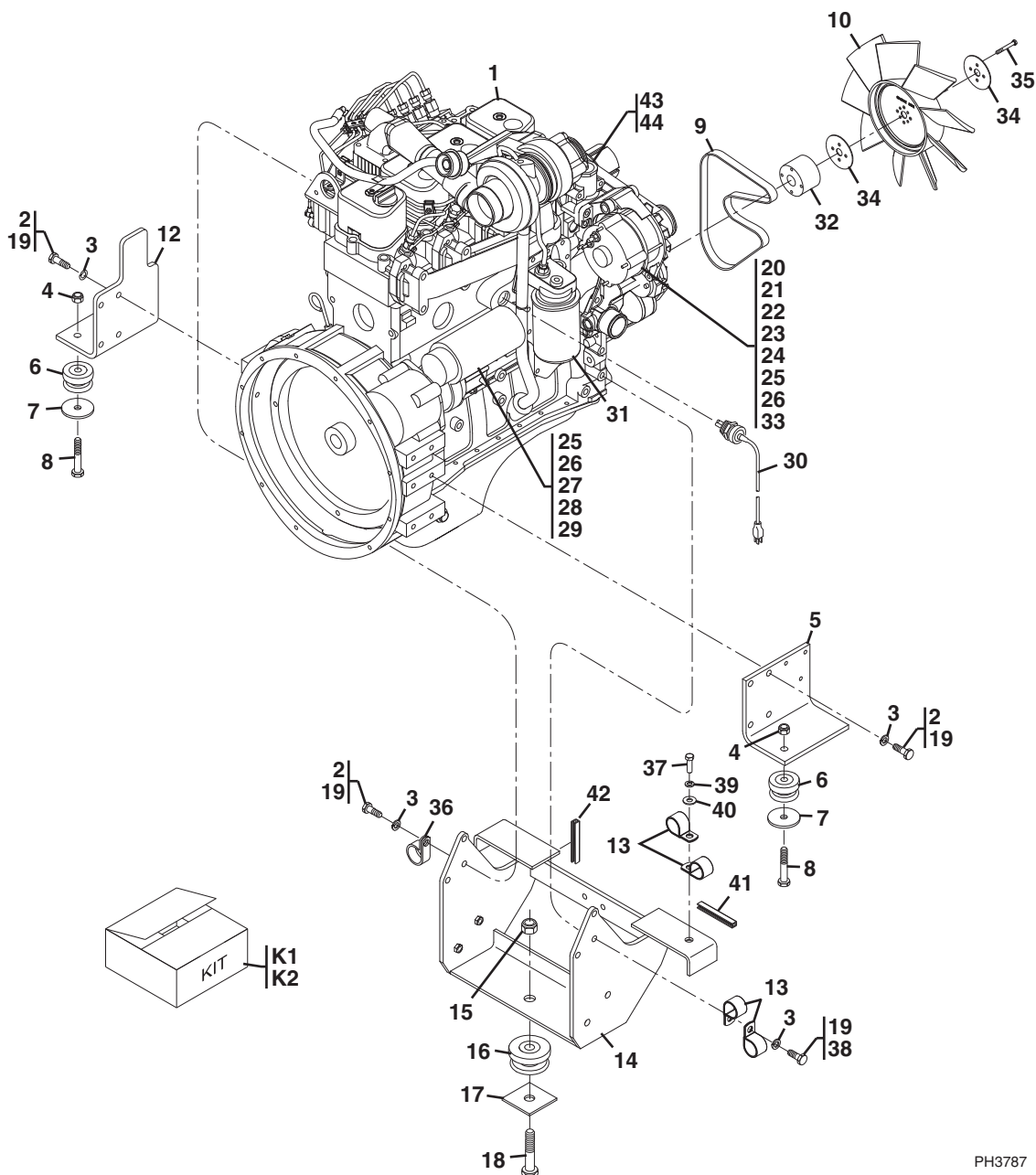
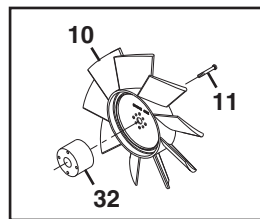


ENGINE & ATTACHING PARTS

8042 S/N 18991 thru 19987 & 0160002332 thru 0160029586
10042 S/N 19031 thru 19987 & 0160002332 thru 0160029586
10054 S/N 19080 thru 19987 & 0160002332 thru 0160029586

Figure 4-1 Engine Mounting

8042 S/N 18991 THRU 0160011357
10042 S/N 19031 THRU 0160011548
10054 S/N 19080 THRU 0160011944



PH3787



Figure 4-1 Engine Mounting

Item	Part Number	Qty.	Description	Rev.
1	8262162	1	CUMMINS ENGINE, QSB 4.5T, (8042 S/N 18991 thru 0160026167), (10042 S/N 19031 thru 0160026167), (10054 S/N 19080 thru 0160026167)	
	2000392	1	CUMMINS ENGINE, QSB 4.5T, (S/N 0160026196 thru 0160029586)	
	70020367	1	RELAY, 12V	
	7029829	1	ENGINE HEATER CABLE	
	7029830	1	ENGINE HEATER	
	7029831	1	TEMPERATURE SENDER	
	7029991	1	TRANSFER FUEL PUMP	
	1321797	1	GASKET, TRANSFER FUEL PUMP	
	7026666	1	STARTER	
	1321976	1	DIPSTICK TUBE, (shorter, one piece design), (Before S/N 0160026195)	
	1321968	1	DIPSTICK, (shorter, one piece design), (Before S/N 0160026195)	
	70021810	1	EXPANSION PLUG	
	91164113	1	OIL GAUGE TUBE END, (use with longer, two piece design)	
	91164114	1	SPRING HOSE CLAMP, (use with longer, two piece design)	
	70023625	1	OIL GAUGE TUBE, LONG, (use with longer, two piece design)	
	70023626	1	DIPSTICK, (use with longer, two piece design)	
	70023627	1	BRACE TUBE, (use with longer, two piece design)	
	70023628	1	OIL GAUGE TUBE, SHORT, (use with longer, two piece design)	
	70023296	1	DIPSTICK TUBE, (S/N 0160026196 thru 0160029586)	
	70023297	1	DIPSTICK, (S/N 0160026196 thru 0160029586)	
	70023790	1	FUEL INJECTION PUMP	
2	0701214	13	HEX HD CAPSCREW, 12X30mm, PC8.8, (apply Loctite® & torque to 126-135 Nm)	
3	8307025	14	LOCKWASHER, M12	
4	8305644	2	HEX LOCKNUT, 1/2-13	
5	7095272	1	ENGINE MOUNT, LH	
6	8278012	2	CENTER BONDED MOUNT	
7	7095831	2	REBOUND WASHER	
8	8310290	2	HEX HD CAPSCREW, 500-13 NC X 3.500, GR8, (torque to 80-90 lb-ft)	
9	8036605	1	FAN BELT, (8042 S/N 18991 thru 0160014865), (10042 S/N 19031 thru 0160014861), (10054 S/N 19080 thru 0160014864)	
	7029270	1	FAN BELT, (8042 S/N 0160014880 thru 0160029592), (10042 S/N 0160015021 thru 0160029606), (10054 S/N 0160014890 thru 0160029593)	
10	8272027	1	21 IN PUSHER FAN	
11	NSS	4	HEX HD CAPSCREW, M8-1.5X90mm, PC8.8, (8042 S/N 18991 thru 0160011357), (10042 S/N 19031 thru 0160011548), (10054 S/N 19080 thru 0160011944) , (no longer available, use items 34 & 35 for replacement)	
12	4341004	1	ENGINE MOUNT, RH	
13	8406302	4	HOSE CLAMP, 1-1/4 DIA	
14	7138813	1	ENGINE MOUNT	
15	8310067	1	HEX LOCKNUT, 3/4-10	
16	8278007	1	RUBBER MOUNT	
17	7054351	1	REBOUND WASHER	
18	8303724	1	HEX HD CAPSCREW, 3/4-10X3-1/2, GR5, (torque to 285-320 Nm)	
19	8526007	AR	LOCTITE® 242™, (apply to items 2 & 38)	
20		Ref	ALTERNATOR, (8042 S/N 18991 thru 0160014888), (10042 S/N 19031 thru 0160014861), (10054 S/N S/N 19080 thru 0160014890) , (no longer available, use following Kit, Cable Assy, Fan Belt 7029270 & Alternator 7029525 for replacement)	



ENGINE & ATTACHING PARTS

8042 S/N 18991 thru 19987 & 0160002332 thru 0160029586
10042 S/N 19031 thru 19987 & 0160002332 thru 0160029586
10054 S/N 19080 thru 19987 & 0160002332 thru 0160029586

Figure 4-1 Engine Mounting (Continued)

Item	Part Number	Qty.	Description	Rev.
	2915170	1	ALTERNATOR SERVICE KIT	
	7310012	1	CABLE ASSY	
	7029525	1	ALTERNATOR, (8042 S/N 0160014880 thru 0160029592), (10042 S/N 0160015021 thru 0160029606), (10054 S/N 0160014890 thru 0160029593)	
21	8270220	1	ALTERNATOR FAN, (8042 S/N 18991 thru 0160014865), (10042 S/N 19031 thru 0160014861), (10054 S/N 19080 thru 0160014864)	
22	80974028	1	ALTERNATOR PULLEY	
23	8307022	1	LOCKWASHER, M8	
24	8305043	1	HEX NUT, M8-1.25	
25	8310077	3	HEX JAM NUT, M5-0.8	
26	8310078	3	LOCKWASHER, M5	
27	7026666	1	STARTER, (includes starter solenoid)	
28	8307023	1	LOCKWASHER, M10	
29	8305438	1	HEX JAM NUT, M10	
30	8277161	1	COOLANT HEATER	
31	8320275	1	ENGINE OIL FILTER ELEMENT	
32	7028783	1	FAN SPACER	
33	80974033	1	SPLIT BUSHING	
34	3575947	2	FAN HUB PLATE, (8042 S/N 0160014880 thru 0160029592), (10042 S/N 0160015021 thru 0160029606), (10054 S/N 0160014890 thru 0160029593)	
35	8310354	4	HEX HD CAPSCREW, M10-1.5X80mm, PC8.8, (8042 S/N 0160014880 thru 0160029592), (10042 S/N 0160015021 thru 0160029606), (10054 S/N 0160014890 thru 0160029593)	
36	8406105	1	TUBE CLIP	
37	8303675	1	HEX HD CAPSCREW, 3-8-16X1-1/4, GR5	
38	0701215	1	HEX HD CAPSCREW, 12X35mm, (apply Loctite® & torque to 126-135 Nm)	
39	8307005	1	LOCKWASHER, 3/8	
40	8307204	1	WASHER, 3/8	
41	4060805	10 in	SHIELD FLEXIBLE TRIM, 1/4	
42	4060807	7 in	SHIELD FLEXIBLE TRIM, 3/8	
43	7029944	1	THERMOSTAT	
44	7029945	1	THERMOSTAT GASKET	
K1	8024049	1	250 HOUR FILTER KIT, (includes 5 filters: engine oil, primary fuel, in-line fuel, primary air filter & safety air filter)	
K2	8024050	1	1000 HOUR FILTER KIT, (includes 8 filters: transmission oil, hydraulic oil, primary air filter, safety air filter, engine oil, in-line fuel, primary fuel & filler breather)	

8042 S/N 18991 thru 19987 & 0160002332 thru 0160029586
10042 S/N 19031 thru 19987 & 0160002332 thru 0160029586
10054 S/N 19080 thru 19987 & 0160002332 thru 0160029586

ENGINE & ATTACHING PARTS



Figure 4-1 Engine Mounting (Continued)

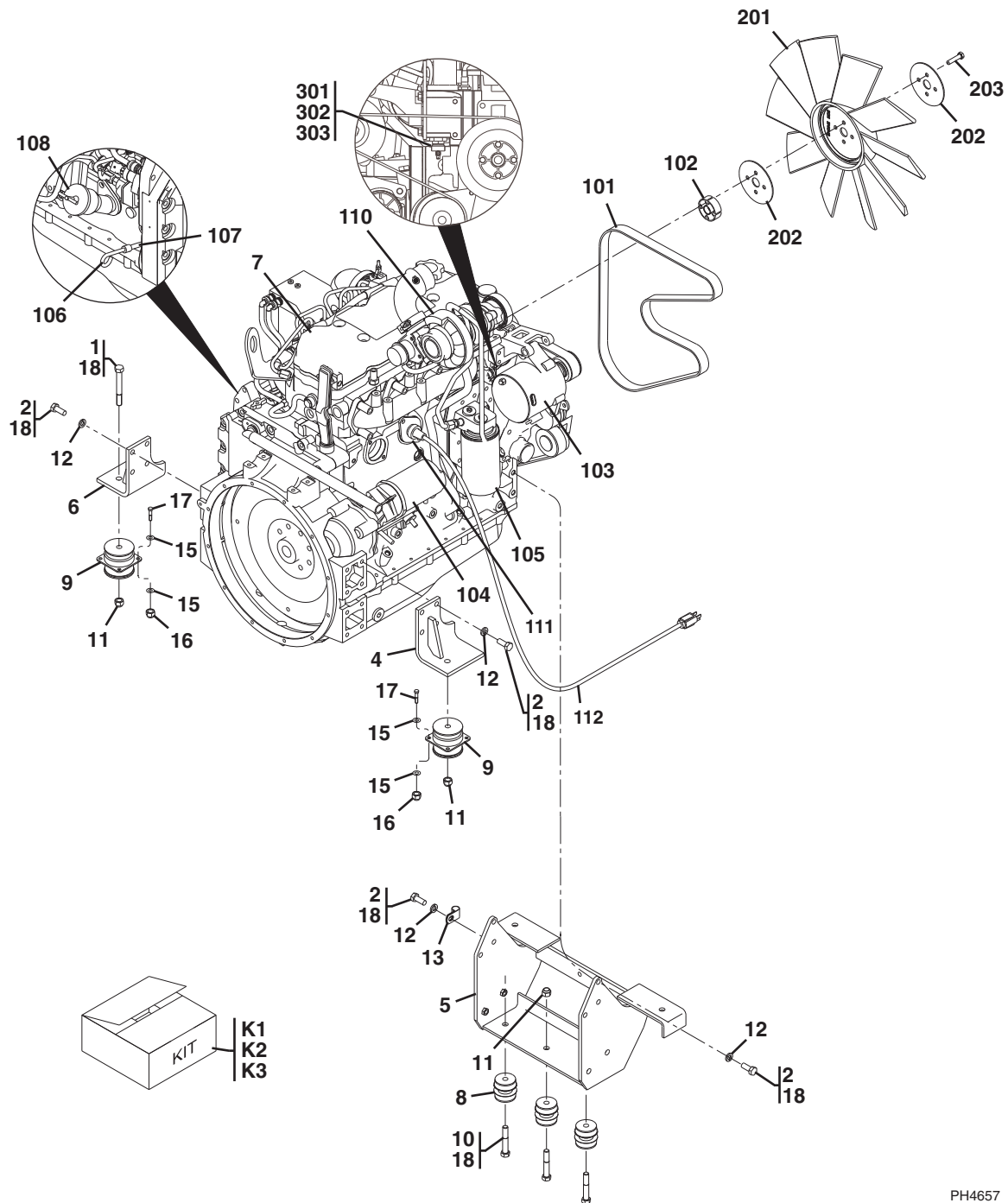
Item	Part Number	Qty.	Description	Rev.



ENGINE & ATTACHING PARTS

8042 & 10054 S/N 0160029593
thru 0160038983
10042 S/N 0160029593 thru 0160038370

Figure 4-1 Engine Mounting



PH4657



Figure 4-1 Engine Mounting

Item	Part Number	Qty.	Description	Rev.
	2000395	1	ENGINE ASSY, (includes items 1 thru 18)	H
1	0641832	2	HEX HD CAPSCREW, 1/2-13X4, (torque to 120 lb-ft)	
2	0701214	14	HEX HD CAPSCREW, M12X30, PC8.8, (torque to 97 Nm)	
4	0903642	1	ENGINE MOUNT, LH	
5	0903643	1	REAR ENGINE MOUNT	
6	0903677	1	ENGINE MOUNT, RH	
7	2000397	1	CUMMINS ENGINE, QSB4.5, (includes items 101 thru 114)	D
8	1001091082	3	ISOLATOR	
9	4341396	2	ISOLATOR	
10	8303702	3	HEX HD CAPSCREW, 1/2-13X3, GR5, (torque to 85 lb-ft)	
11	8305644	5	HEX LOCKNUT, 1/2-13, (torque to 59-66 lb-ft)	
12	8307025	14	LOCKWASHER, M12	
13	8406105	1	HOSE CLAMP	
15	4891500	16	WASHER, 5/16	
16	3311505	8	HEX LOCKNUT, 5/16-18, GR2	
17	0641510	8	HEX HD CAPSCREW, 5/16-18X1-1/4	
18	0100011	AR	LOCTITE® 242™, (apply to items 1, 2 & 10)	
101	70020357	1	FAN BELT	
102	70020347	1	FAN SPACER	
103	70023287	1	ALTERNATOR	
104	70020352	1	STARTER	
105	70020358	1	ENGINE OIL FILTER ELEMENT	
106	70020350	1	DIPSTICK	
107	70020351	1	DIPSTICK TUBE	
108	83673130	1	OIL FILL CAP	
109	70020356	1	THERMOSTAT, (not shown)	
110	70023194	1	TURBOCHARGER KIT, (includes turbocharger & mounting gaskets)	
111	70023443	1	BLOCK HEATER, (includes o-ring)	
112	70023444	1	CABLE, BLOCK HEATER	
113	70022634	1	FLYWHEEL, (includes item 114), (not shown)	
114	70023736	1	RING GEAR, (not shown)	
	2060046	1	FAN ASSY, (includes items 201 thru 203)	E
201	2060045	1	22 IN PUSHER FAN	
202	3575947	2	FAN HUB PLATE	
203	8310748	4	HEX HD CAPSCREW, M10X1.5X50, PC8.8, (torque to 25-45 lb-ft)	
	1001094010	1	SENSORS INSTALLATION, (includes items 301 thru 303)	B
301	8223244	1	WATER TEMPERATURE SWITCH	
302	8220073	1	TAB TERMINAL	
303	2221154	1	REDUCER, (8042 S/N 0160033553 & After), (10042 S/N 0160033550 & After), (10054 S/N 0160033552 & After)	
K1	1001101080	1	SENSOR KIT, (includes item 303 & plug), (8042 S/N 0160029593 thru 0160033552), (10042 S/N 0160029607 thru 0160033549), (10054 S/N 0160029594 thru 0160033551)	
K2	1001111849	1	250 HOUR FILTER KIT, (includes 5 filters: engine oil, primary fuel, in-line fuel, primary air filter & safety air filter)	

**ENGINE & ATTACHING PARTS**

8042 & 10054 S/N 0160029593
thru 0160038983
10042 S/N 0160029593 thru 0160038370

Figure 4-1 Engine Mounting (Continued)

Item	Part Number	Qty.	Description	Rev.
K3	1001111850	1	1000 HOUR FILTER KIT, (includes 8 filters: transmission oil, hydraulic oil, primary air filter, safety air filter, engine oil, in-line fuel, primary fuel & filler breather)	

8042 & 10054 S/N 0160029593
thru 0160038983
10042 S/N 0160029593 thru 0160038370

ENGINE & ATTACHING PARTS



Figure 4-1 Engine Mounting (Continued)

Item	Part Number	Qty.	Description	Rev.



Figure 4-1 Engine Mounting

Item	Part Number	Qty.	Description	Rev.
	1001106380	1	ENGINE ASSY, (includes items 1 thru 24)	C
1	0641826	2	HEX HD CAPSCREW, 1/2-13X3-1/4, GR5, (torque to 75 lb-ft)	
2	0701214	13	HEX HD CAPSCREW, M12X30, (torque to 97 Nm)	
3	8310067	1	HEX LOCKNUT, 3/4-10	
4	0903642	1	ENGINE MOUNT WELDMENT, LH	
5	1001106376	1	REAR ENGINE MOUNT	
6	0903677	1	ENGINE MOUNT WELDMENT, RH	
7	2000397	1	CUMMINS ENGINE, QSB 4.5, (includes items 101 thru 121)	D
8	8278007	1	RUBBER MOUNT	
9	8278012	2	CENTER BONDED MOUNT	
10	0642228	1	HEX HD CAPSCREW, 3/4-10X3-1/2, GR5, (torque to 260 lb-ft)	
11	8305644	2	HEX LOCKNUT, 1/2-13	
12	8307025	14	LOCKWASHER, M12	
13	7054351	1	REBOUND WASHER	
14	7095831	2	REBOUND WASHER	
15	8750027	1	CLAMP SET	
16	8769128	1	TWIN COVER PLATE	
17	0641522	1	HEX HD CAPSCREW, 5/16-18X2-3/4, GR5	
18	4761500	1	LOCKWASHER, 5/16	
19	0100011	AR	LOCTITE® 242™	
20	4751500	1	WASHER, 5/16	
21	3311505	1	HEX LOCKNUT, 5/16-18	
22	0701216	1	HEX HEAD CAP SCREW, GR8.8	
23	8275247	2	MUFFLER CLAMP, 3 IN	
24	1001120928	1	MUFFLER BRACKET	
101	70020357	1	FAN BELT	
102	70020347	1	FAN SPACER	
103	7029525	1	ALTERNATOR	
104	70020352	1	STARTER	
105	70020358	1	ENGINE OIL FILTER ELEMENT	
106	70020350	1	DIPSTICK	
107	70020351	1	DIPSTICK TUBE	
108	83673130	1	OIL FILL CAP	
109	70020356	1	THERMOSTAT KIT, (includes thermostat & thermostat seal), (not shown)	
110	70023194	1	TURBOCHARGER KIT, (includes turbocharger & mounting gaskets)	
111	70023443	1	BLOCK HEATER, (includes o-ring)	
112	70023444	1	CABLE, BLOCK HEATER	
113	1322073	1	FAN PULLEY, (not shown)	
114	70021794	1	FUEL INJECTION PUMP, (not shown)	
115	70021809	1	BELT TENSIONER, (not shown)	
116	70022634	1	FLYWHEEL KIT, (includes flywheel & flywheel ring gear), (not shown)	
117	70023736	1	FLYWHEEL RING GEAR, (not shown)	
118	80974028	1	ALTERNATOR PULLEY, (not shown)	
119	70023284	1	ALTERNATOR SUPPORT, (not shown)	
120	70023285	1	ALTERNATOR BRACE, (not shown)	
121	70023286	1	MOUNTING SPACER, (not shown)	
	1001105897	1	FAN ASSY, (includes items 201 thru 205)	B
201	1001105996	1	24 IN FAN	



ENGINE & ATTACHING PARTS

8042 & 10054 S/N 0160038984 thru 0160040218
 excluding 0160039850, 0160040126 thru 0160040129 & 0160040171
 10042 S/N 0160038371 thru 0160040218
 excluding 0160039850, 0160040126 thru 0160040129 & 0160040171

Figure 4-1 Engine Mounting (Continued)

Item	Part Number	Qty.	Description	Rev.
202	1001105991	1	FAN SPACER PLATE	
203	3575947	1	FAN HUB PLATE	
204	0701021	4	HEX HD CAPSCREW, 10X65mm, GR8.8	
205	0100011	AR	LOCTITE® 242™	
	1001094010	1	SENSORS INSTALLATION, (includes items 301 thru 303)	B
301	8223244	1	WATER TEMPERATURE SWITCH	
302	8220073	1	TAB TERMINAL	
303	2221154	1	REDUCER, (8042 S/N 0160033553 & After), (10042 S/N 0160033550 & After), (10054 S/N 0160033552 & After)	
K1	1001101080	1	SENSOR KIT, (includes item 303 & plug), (8042 S/N 0160029593 thru 0160033552), (10042 S/N 0160029607 thru 0160033549), (10054 S/N 0160029594 thru 0160033551)	
K2	1001111849	1	250 HOUR FILTER KIT, (includes 5 filters: engine oil, primary fuel, in-line fuel, primary air filter & safety air filter)	
K3	1001111850	1	1000 HOUR FILTER KIT, (includes 8 filters: transmission oil, hydraulic oil, primary air filter, safety air filter, engine oil, in-line fuel, primary fuel & filler breather)	

8042 & 10054 S/N 0160038984 thru 0160040218
excluding 0160039850, 0160040126 thru 0160040129 & 0160040171
10042 S/N 0160038371 thru 0160040218
excluding 0160039850, 0160040126 thru 0160040129 & 0160040171

ENGINE & ATTACHING PARTS



Figure 4-1 Engine Mounting (Continued)

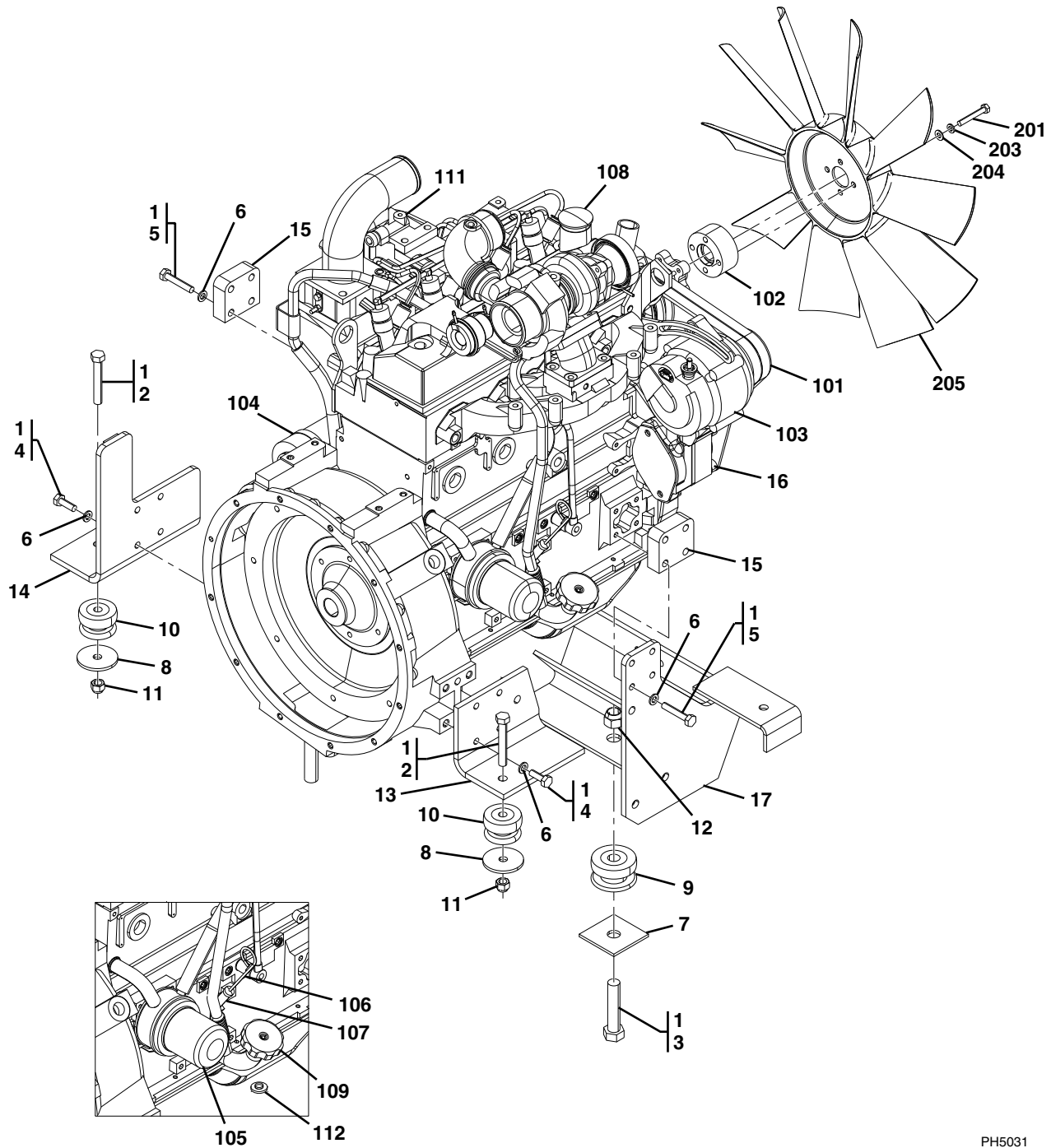
Item	Part Number	Qty.	Description	Rev.



ENGINE & ATTACHING PARTS

S/N 0160040220 & After
including 0160039850, 0160040126 thru 0160040129 &
0160040171

Figure 4-1 Engine Mounting



PH5031

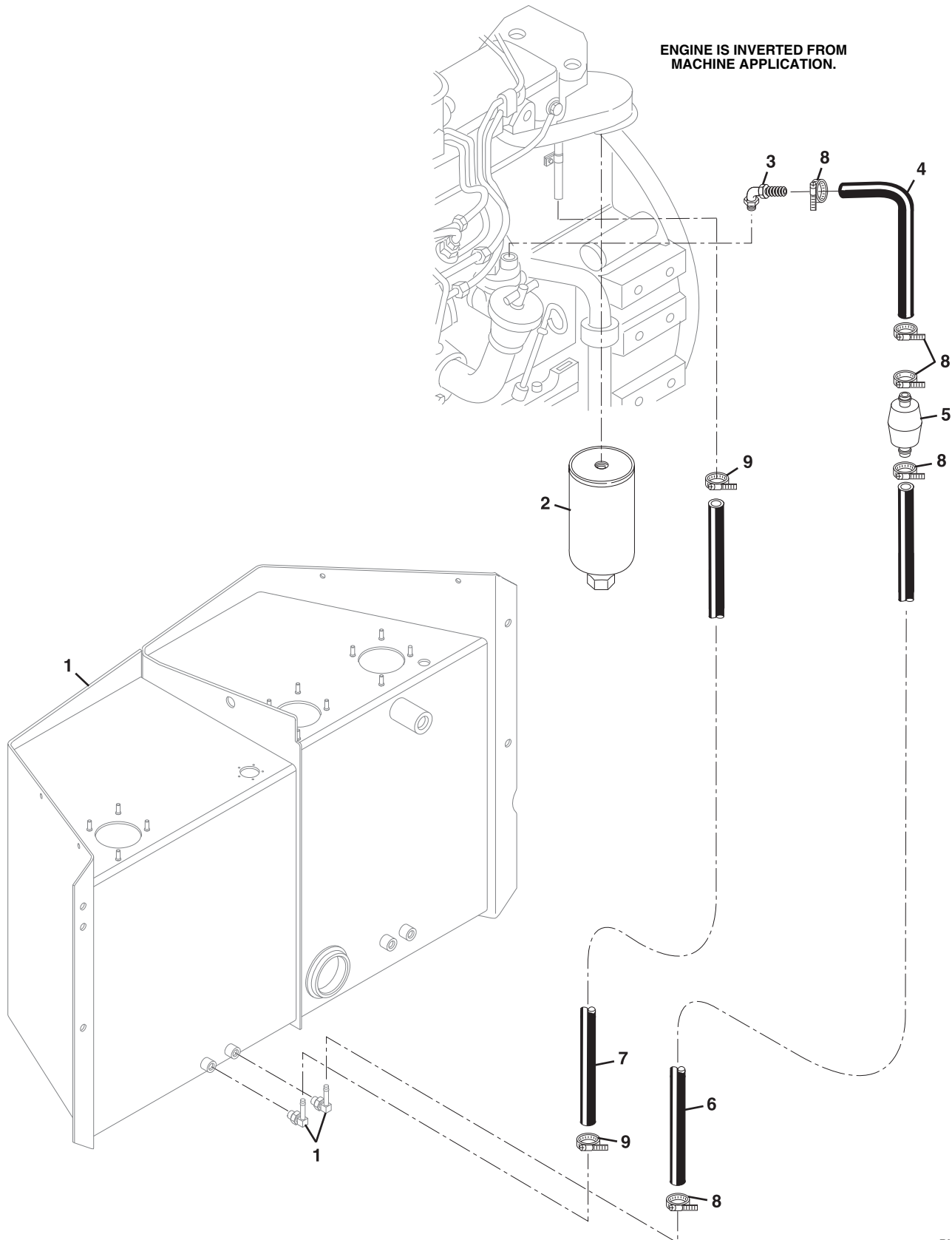


Figure 4-1 Engine Mounting

Item	Part Number	Qty.	Description	Rev.
	1001111559	Ref	ENGINE ASSY, (not available to order, see items 1 thru 17 for service)	B
1	0100011	AR	LOCTITE® 242™	
2	0681826	2	HEX HD CAPSCREW, 1/2-13X3-1/4, GR8, (torque to 95 lb-ft)	
3	0682228	1	HEX HD CAPSCREW, 3/4-10X3-1/2, GR8, (torque to 340 lb-ft)	
4	0711014	8	HEX HD CAPSCREW, 10X30mm, GR10.9, (torque to 62-68 Nm)	
5	0711019	8	HEX HD CAPSCREW, 10X55mm, GR10.9, (torque to 62-68 Nm)	
6	4832000	16	SPRING LOCKWASHER, 10mm	
7	7054351	1	REBOUND WASHER	
8	7095831	2	REBOUND WASHER	
9	8278007	1	RUBBER MOUNT	
10	8278012	2	CENTER BONDED MOUNT	
11	8305644	2	HEX LOCKNUT, 1/2-13	
12	8310067	1	HEX LOCKNUT, 3/4-10	
13	1001096459	1	ENGINE MOUNT PLATE, LH	
14	1001096462	1	ENGINE MOUNT WELD, RH	
15	1001097566	2	ENGINE MOUNT SPACER	
16	1001103291	1	CUMMINS ENGINE, QSB3.3, 110HP TIER III, (includes items 101 thru 111)	A
17	1001096479	1	REAR ENGINE BRACKET	
101	70021852	1	FAN BELT	
102	70023564	1	FAN SPACER	
103	70021849	1	ALTERNATOR	
104	70021850	1	STARTER	
105	8036204	1	ENGINE OIL FILTER ELEMENT	
106	70021854	1	DIPSTICK	
107	70023565	1	DIPSTICK TUBE	
108	70022842	1	OIL FILL CAP, UPPER	
109	70022843	1	OIL FILL CAP, LOWER	
110	70021847	1	THERMOSTAT KIT, (includes gasket), (not shown)	
111	70022846	1	SECONDARY FUEL FILTER	
112	70022844	1	OIL PAN PLUG	
	70022845	1	GASKET	
113	70023808	1	BLOCK HEATER WITH CORD, (not shown)	
114		Ref	PRIMARY FUEL FILTER ASSY, (not shown), (see Figure 4-2 for details)	
	1001096429	Ref	ENGINE FAN ASSY, (not available to order, see items 201 thru 205 for service)	B
201	0700812	4	HEX HD CAPSCREWS, 8X25mm, GR8.8	
203	4811900	4	WASHER, 8mm	
204	4831900	4	SPRING LOCKWASHER, 8mm	
205	1001098559	1	FAN	



Figure 4-2 Fuel System



8042 S/N 13198 thru 18990
 10042 S/N 13198 thru 19030
 10054 S/N 13198 thru 19079

ENGINE & ATTACHING PARTS



Figure 4-2 Fuel System

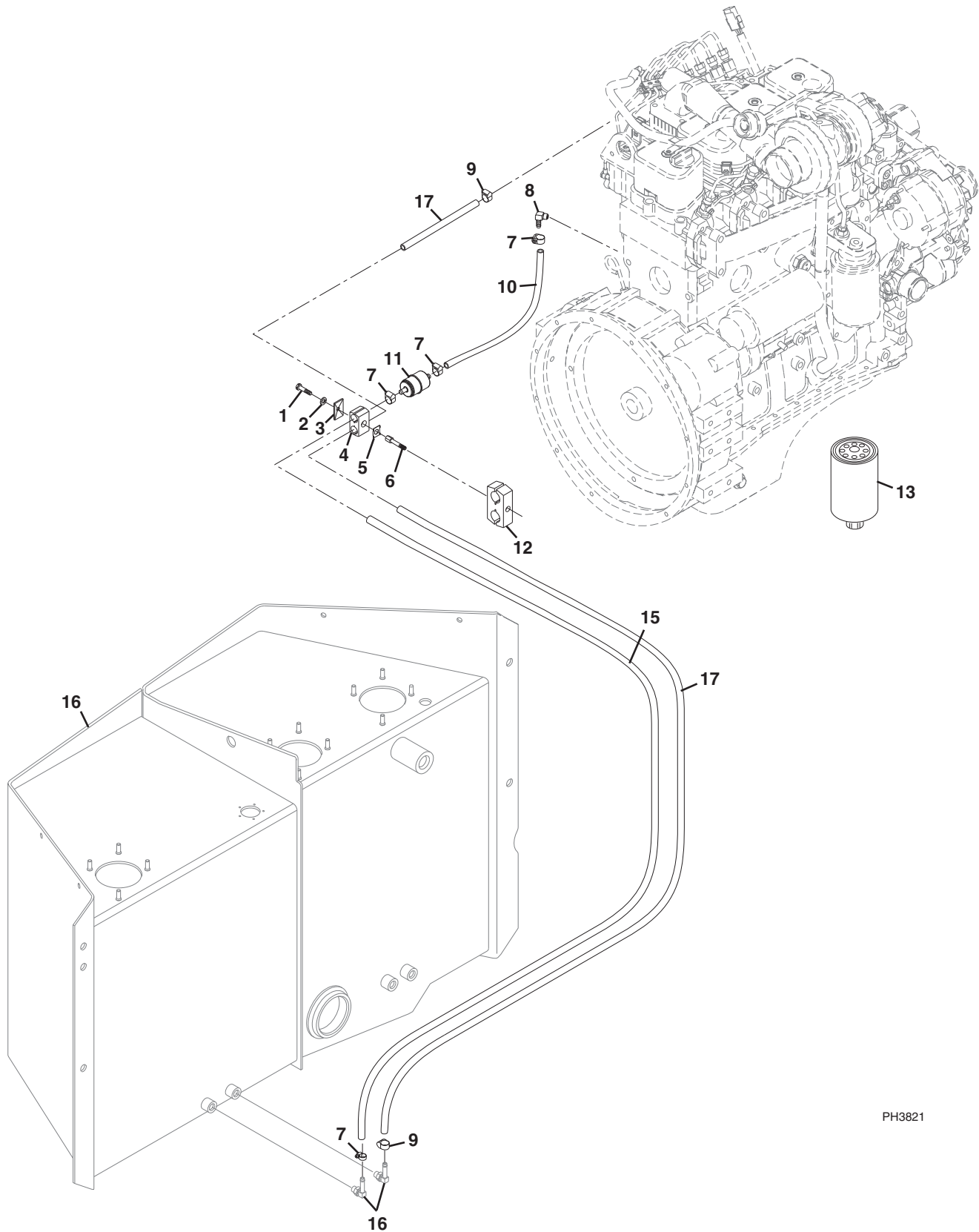
Item	Part Number	Qty.	Description	Rev.
1		Ref	FUEL & HYDRAULIC TANK, (see Figure 9-11 for details)	
2	8320270	1	FUEL FILTER ELEMENT	
3	8420229	1	HOSE BARB ELBOW, 90 DEGREES	
4	7127881	1	FUEL SUPPLY HOSE ASSY	
5	8274022	1	FUEL STRAINER	
6	7127871	1	FUEL SUPPLY HOSE ASSY	
7	7127081	1	FUEL RETURN HOSE ASSY	
8	8410013	5	GEAR CLAMP, 0.78 MAX DIA	
9	8405009	2	GEAR CLAMP, 0.62 MAX DIA	



ENGINE & ATTACHING PARTS

8042 S/N 18991 thru 19987 & 0160002332 thru 0160029592
10042 S/N 19031 thru 19987 & 0160002332 thru 0160029606
10054 S/N 19080 thru 19987 & 0160002332 thru 0160029593

Figure 4-2 Fuel System



PH3821



Figure 4-2 Fuel System

Item	Part Number	Qty.	Description	Rev.
1	8303715	1	HEX HD CAPSCREW, 5/16-18X1-1/2, GR5	
2	8307004	1	LOCKWASHER, 5/16	
3	8769123	1	TWIN COVER PLATE	
4	8750015	1	CLAMP SET, 0.67 DIA	
5	8750017	1	TWIN CLAMP LOCKING PLATE	
6	8750026	1	BOLT STACKING	
7	8410013	4	HOSE CLAMP, 0.78 DIA	
8	8420229	1	ELBOW, 90 DEGREES	
9	8405009	2	HOSE CLAMP, 0.62 DIA	
10	7300377	1	FUEL SUPPLY HOSE ASSY	
11	8274022	1	FUEL STRAINER	
12	8750024	1	TWIN CLAMP SET, 1.18 DIA	
13	8320278	1	FUEL FILTER	
15	7127871	1	FUEL SUPPLY HOSE ASSY, (S/N 13198 thru 19887)	
	2720551	1	FUEL SUPPLY HOSE ASSY, (8042 S/N 0160002332 thru 0160029592), (10042 S/N 0160002332 thru 0160029606), (10054 S/N 0160002332 thru 0160029593)	
16		Ref	FUEL & HYDRAULIC TANK, (see Figure 9-11 for details)	
17	7127081	1	FUEL RETURN HOSE ASSY, (S/N 13198 thru 19887)	
	7302085	1	FUEL RETURN HOSE ASSY, (8042 S/N 0160002332 thru 0160029592), (10042 S/N 0160002332 thru 0160029606), (10054 S/N 0160002332 thru 0160029593)	

8042 & 10054 S/N 0160029593 thru 0160040218
 excluding 0160039850, 0160040126 thru 0160040129 & 0160040171
 10042 S/N 0160029607 thru 0160040218
 excluding 0160039850, 0160040126 thru 0160040129 & 0160040171

ENGINE & ATTACHING PARTS



Figure 4-2 Fuel System

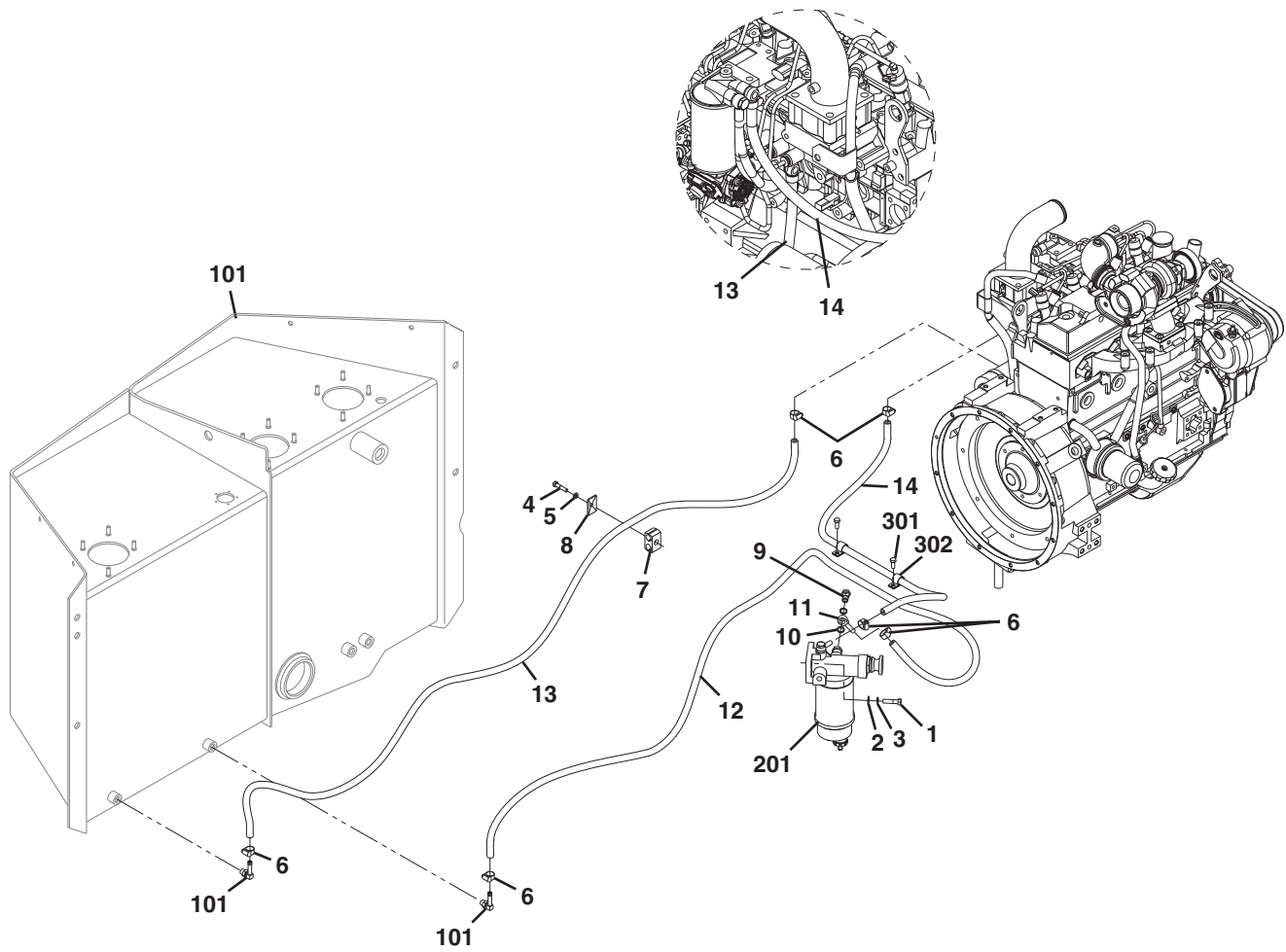
Item	Part Number	Qty.	Description	Rev.
	0275861	1	FUEL PUMP INSTALLATION, (includes items 1 thru 8)	C
1	2720643	1	FUEL SUPPLY HOSE ASSY	
2	7302085	1	FUEL RETURN HOSE ASSY	
3	8310200	2	WASHER, 3/8	
4	10700205	2	HEX HD CAPSCREW, 3/8-16X1-1/4	
5	1001093891	1	COUPLING	
6	1001093892	1	COUPLING	
7	1001093944	3	SEALING WASHER	
8	8410013	4	CLAMP, (torque to 16-20 lb-ft)	
9	70020353	1	FLEXIBLE FUEL HOSE	
10	70020349	1	PRIMARY FUEL FILTER	
11	70020348	1	SECONDARY FUEL FILTER	
12		Ref	FUEL & HYDRAULIC TANK, (see Figure 9-11 for details)	
13	70021410	1	PRIMARY FUEL FILTER HEAD	



ENGINE & ATTACHING PARTS

S/N 0160040220 & After
including 0160039850, 0160040126 thru 0160040129 &
0160040171

Figure 4-2 Fuel System



PH4910



Figure 4-2 Fuel System

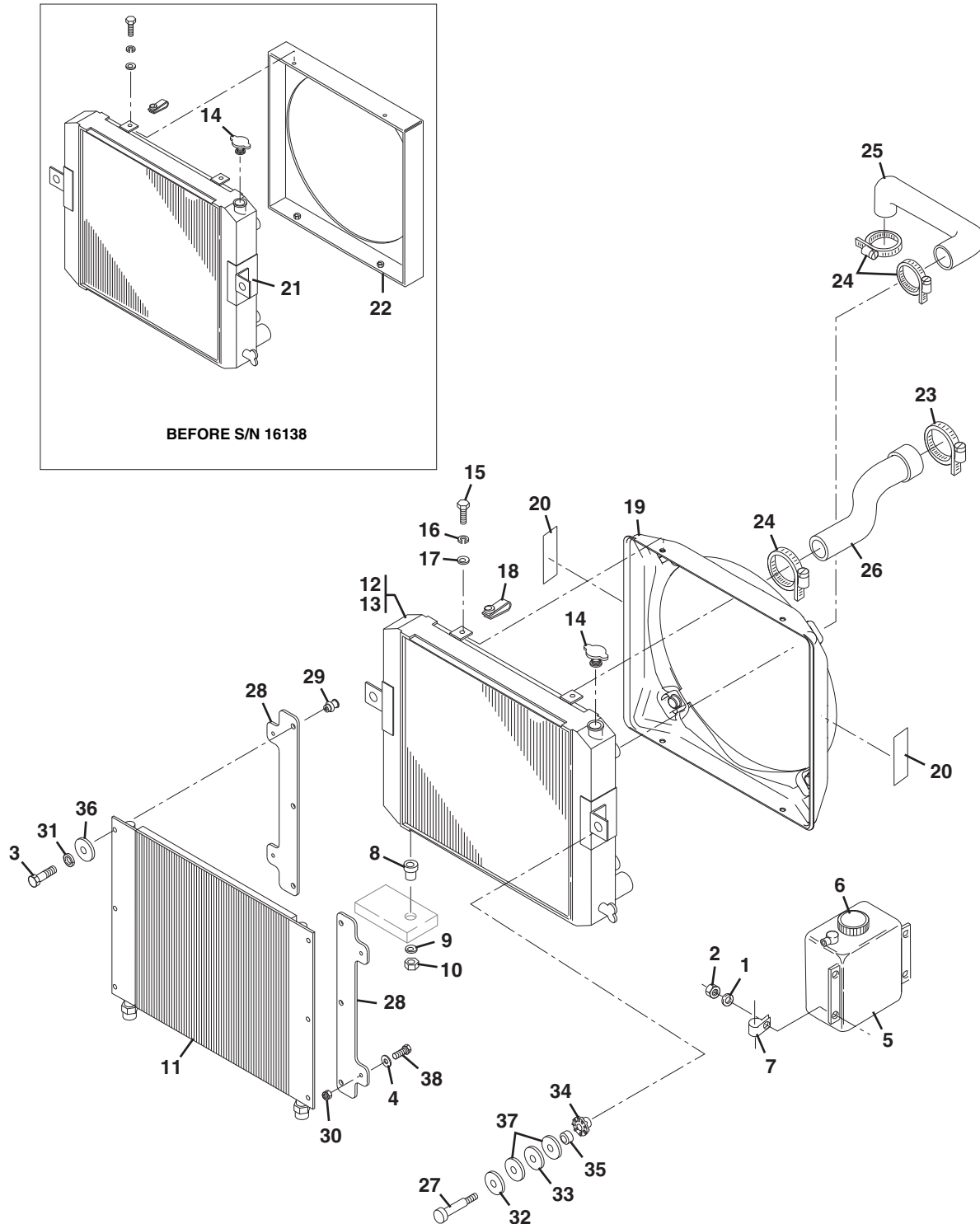
Item	Part Number	Qty.	Description	Rev.
	1001112749	Ref	FUEL PLUMBING INSTALLATION, (not available to order, see items 1 thru 14 for service)	A
1	0641612	2	HEX HD CAPSCREW, 3/8-16X1-1/2, GR5	
2	4711600	2	WASHER, 3/8	
3	4761600	2	LOCKWASHER, 3/8	
4	8303715	1	HEX HD CAPSCREW, 5/16-18X1-1/2, GR5	
5	8307004	1	LOCKWASHER, 5/16	
6	8410013	6	GEAR CLAMP	
7	8750015	1	CLAMP SET	
8	8769123	1	TWIN COVER PLATE	
9	1001102931	1	BANJO BOLT, 14mm	
10	1001102933	2	COPPER RING SEAL	
11	1001113511	1	BANJO BOLT ADAPTER, 14mmX3/8	
12	1001097568	1	FUEL HOSE	
13	1001097569	1	FUEL HOSE	
14	1001100217	1	FUEL HOSE	
101		Ref	FUEL AND HYDRAULIC TANK, (see Figure 9-11 for details)	
201	70023950	1	PRIMARY FUEL FILTER ASSY	
	70023947	1	PRIMARY FUEL FILTER SENSOR	
	70023948	1	PRIMARY FUEL FILTER BOWL	
	70021851	1	PRIMARY FUEL FILTER ELEMENT	
202	70023949	1	PRIMARY FUEL FILTER JUMPER HARNESS, (not shown)	
301	0760810	2	HEX HD CAPSCREW, 8-1.25X20mm, GR8.8	
302	91143122	2	SUPPORT CLAMP	



ENGINE & ATTACHING PARTS

8042 S/N 13198 thru 18990
10042 S/N 13198 thru 19030
10054 S/N 13198 thru 19079

Figure 4-3 Radiator & Oil Cooler Mounting



8042 S/N 13198 thru 18990
 10042 S/N 13198 thru 19030
 10054 S/N 13198 thru 19079

ENGINE & ATTACHING PARTS



Figure 4-3 Radiator & Oil Cooler Mounting

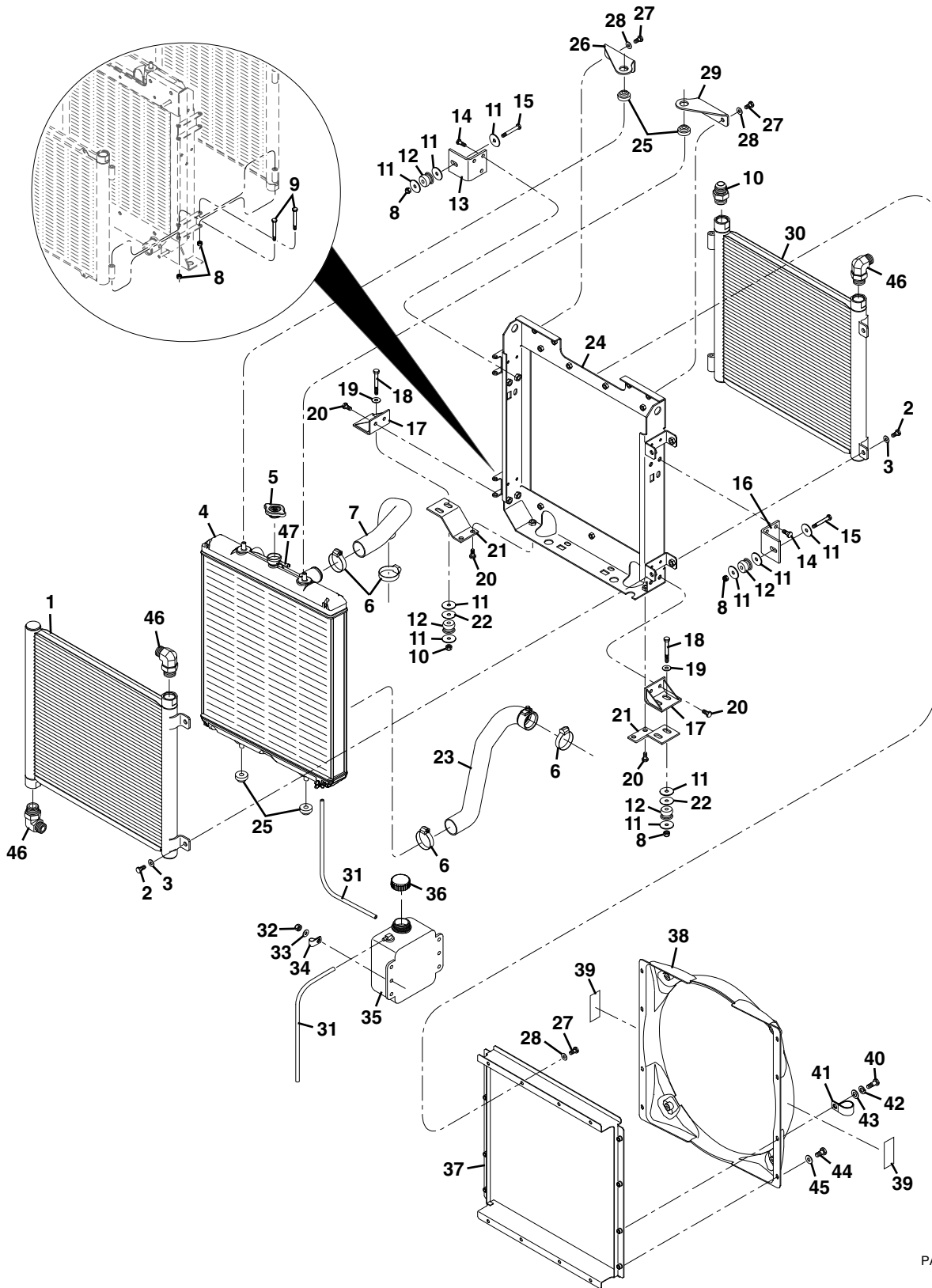
Item	Part Number	Qty.	Description	Rev.
1	8307109	2	FLAT WASHER, 1/4	
2	8305624	2	HEX LOCKNUT, 1/4-20	
3	8303615	6	HEX HD CAPSCREW, 1/4-20X1.25	
4	8307106	4	PLAIN WASHER, 5/13	
5	7085422	1	RADIATOR OVERFLOW TANK, (includes item 6)	
6	8866341	1	CAP WITH TETHER	
7	8406101	1	HOSE SUPPORT, 5/8	
8	8278008	2	VIBRATION MOUNT	
9	7057141	2	REBOUND WASHER	
10	8305645	2	HEX LOCKNUT, 3/8-16	
11	7129973	1	OIL COOLER	
12	8024030	1	RADIATOR ASSY KIT, (includes items 13 thru 20), (for first time orders S/N 13198 thru 16138 , item 20 on Figure 4-1 must also be ordered)	
13	NSS	1	RADIATOR, (not available to order, see item 12 for service)	
14	8180311	1	RADIATOR CAP	
15	8303697	4	HEX HD CAPSCREW, 5/16-18X3/4	
16	8307004	4	LOCKWASHER, 5/16	
17	8307106	4	PLAIN WASHER, 5/16	
18	8036546	4	SPEED NUT, 5/16-18	
19	8024031	1	RADIATOR SHROUD KIT, (includes item 20)	
20		Ref	DECAL, (see Figure 11-1 for details)	
21	NSS	1	RADIATOR, (S/N 13198 thru 16138), (not available to order, see item 12 for service)	
22	7131253	1	RADIATOR SHROUD, (S/N 13198 thru 16138)	
23	8405203	1	HOSE CLAMP, 3	
24	8405104	3	HOSE CLAMP, 2-1/4	
25	7126703	1	UPPER RADIATOR HOSE	
26	7138515	1	LOWER RADIATOR HOSE	
27	8310104	2	HEX SOCKET HD SHOULDER SCREW, 3/8X1-1/2X5/16-18	
28	7138712	2	COOLER MOUNT PLATE	
29	8580420	6	WELL NUT	
30	8310420	4	HEX FLANGE NUT, 5/16-18	
31	8307002	6	LOCKWASHER, 1/4	
32	8278023	2	RADIATOR BUSHING MOUNT	
33	8278024	2	RADIATOR MOUNT	
34	8305626	2	HEX LOCKNUT, 0.312-18	
35	7130131	2	SPACER, 1/2	
36	8307202	6	FLAT WASHER, 1/4	
37	7057141	4	FLAT WASHER	
38	8303670	4	HEX HD CAPSCREW, 5/16-18X1	



ENGINE & ATTACHING PARTS

8042 S/N 18991 thru 19987 & 0160002332 thru 0160010788
10042 S/N 19031 thru 19987 & 0160002332 thru 0160010788
10054 S/N 19080 thru 19987 & 0160002332 thru 0160010788

Figure 4-3 Radiator & Oil Cooler Mounting



PAP4040



Figure 4-3 Radiator & Oil Cooler Mounting

Item	Part Number	Qty.	Description	Rev.
	3620059	Ref	RADIATOR ASSY, (includes items 1 thru 5, qty 4 of item 8, 9, 10, 24 thru 31, 37, 38, 46 & 47)	
1	8180216	1	TRANSMISSION OIL COOLER	
2	8303798	8	HEX HD CAPSCREW, M10-1.5X25mm, PC8.8	
3	8307221	8	PLAIN WASHER, M10	
4	8036816	1	RADIATOR	
5	8180311	1	RADIATOR PRESSURE CAP, 13 PSI	
6	8405104	4	HOSE CLAMP, #28	
7	7301833	1	UPPER RADIATOR HOSE	
8	8305645	8	HEX NUT, 3/8-16	
9	8303107	4	HEX HD CAPSCREW, 3/8-16X3-1/4	
10	8770078	1	STRAIGHT CONNECTOR	
11	7057141	AR	FLAT REBOUND WASHER	
12	8278020	4	RUBBER ISOLATOR MOUNT	
13	7301649	1	UPPER LEFT RADIATOR SUPPORT BRACKET	
14	8303798	6	HEX HD CAPSCREW, M10-1.5X25mm, PC8.8	
15	8303106	2	HEX HD CAPSCREW, 3/6-16X2-1/5, GR5	
16	7301648	1	UPPER RIGHT RADIATOR SUPPORT BRACKET	
17	7301653	2	LOWER RADIATOR SUPPORT BRACKET	
18	8303704	2	HEX HD CAPSCREW, 3/8-16X3, GR5	
19	8310200	2	PLAIN WASHER, 3/8	
20	8303784	6	HEX HD CAPSCREW, M10-1.5X20mm, PC8.8	
21	7301651	2	LOWER RADIATOR MOUNT BRACKET	
22	8310246	AR	FENDER WASHER, 0.375X.048X1.5	
23	2720555	1	LOWER RADIATOR HOSE	
24	8036812	1	FRAME	
25	8180324	4	RUBBER CUSHION	
26	8180326	1	LEFT FRAME BRACKET	
27	8303606	12	HEX HD CAPSCREW, M8-1.25X22mm, PC8.8	
28	8307222	12	PLAIN WASHER, M8	
29	8180325	1	RIGHT FRAME BRACKET	
30	8180215	1	HYDRAULIC OIL COOLER	
31	8180335	1	OVERFLOW TANK HOSE, 75mm LG	
32	8305624	2	HEX LOCKNUT, 1/4-20	
33	8307109	2	PLAIN WASHER, 1/4	
34	8406101	1	TUBE CLIP, 5/8	
35	7085422	1	OVERFLOW TANK, (includes item 36)	
36	8866341	1	OVERFLOW TANK CAP	
37		Ref	SHROUD SPACER, (no longer available, use kit 2915054 on Figure 4-3 with S/N ranges 8042 - 0160010789 thru 0160029592, 10042 - 0160010789 thru 0160029606 & 10054 - 0160010789 thru 01600295593 for replacement)	
38		Ref	RADIATOR SHROUD, (no longer available, use kit 2915054 on Figure 4-3 with S/N ranges 8042 - 0160010789 thru 0160029592, 10042 - 0160010789 thru 0160029606 & 10054 - 0160010789 thru 01600295593 for replacement), (includes item 39)	
39		Ref	MOVING PARTS WARNING DECAL, (see Figure 11-1 for details)	
40	8303670	1	HEX HD CAPSCREW, 5/16-18X1, GR5	
41	8406302	1	HOSE CLAMP, 1-1/4 DIA	
42	8307004	1	LOCKWASHER, 5/16	
43	8307106	1	PLAIN WASHER, 5/16	



ENGINE & ATTACHING PARTS

8042 S/N 18991 thru 19987 & 0160002332 thru 0160010788
10042 S/N 19031 thru 19987 & 0160002332 thru 0160010788
10054 S/N 19080 thru 19987 & 0160002332 thru 0160010788

Figure 4-3 Radiator & Oil Cooler Mounting (Continued)

Item	Part Number	Qty.	Description	Rev.
44	8303656	7	HEX HD CAPSCREW, 5/16-18X7/8	
45	8307106	7	PLAIN WASHER, 0.312X0.344X0.688X0.065	
46	2131216	3	ELBOW, 90 DEGREES	
47	70023968	1	DRAIN HOSE	

8042 S/N 18991 thru 19987 & 0160002332 thru 0160010788
10042 S/N 19031 thru 19987 & 0160002332 thru 0160010788
10054 S/N 19080 thru 19987 & 0160002332 thru 0160010788

ENGINE & ATTACHING PARTS



Figure 4-3 Radiator & Oil Cooler Mounting (Continued)

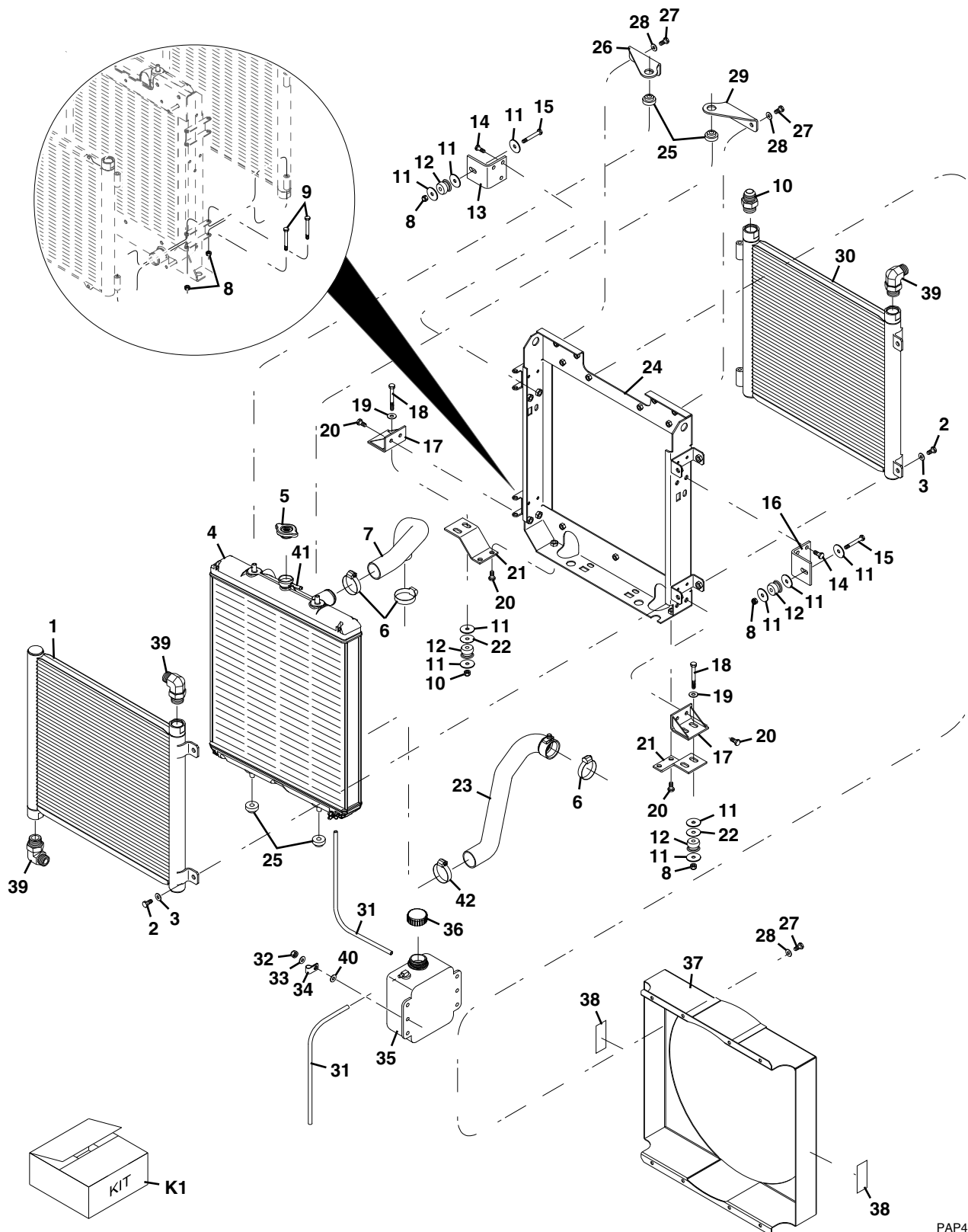
Item	Part Number	Qty.	Description	Rev.



ENGINE & ATTACHING PARTS

8042 S/N 0160010789 thru 0160029592
10042 S/N 0160010789 thru 0160029606
10054 S/N 0160010789 thru 0160029592

Figure 4-3 Radiator & Oil Cooler Mounting



PAP4050

8042 S/N 0160010789 thru 0160029592
 10042 S/N 0160010789 thru 0160029606
 10054 S/N 0160010789 thru 0160029592

ENGINE & ATTACHING PARTS



Figure 4-3 Radiator & Oil Cooler Mounting

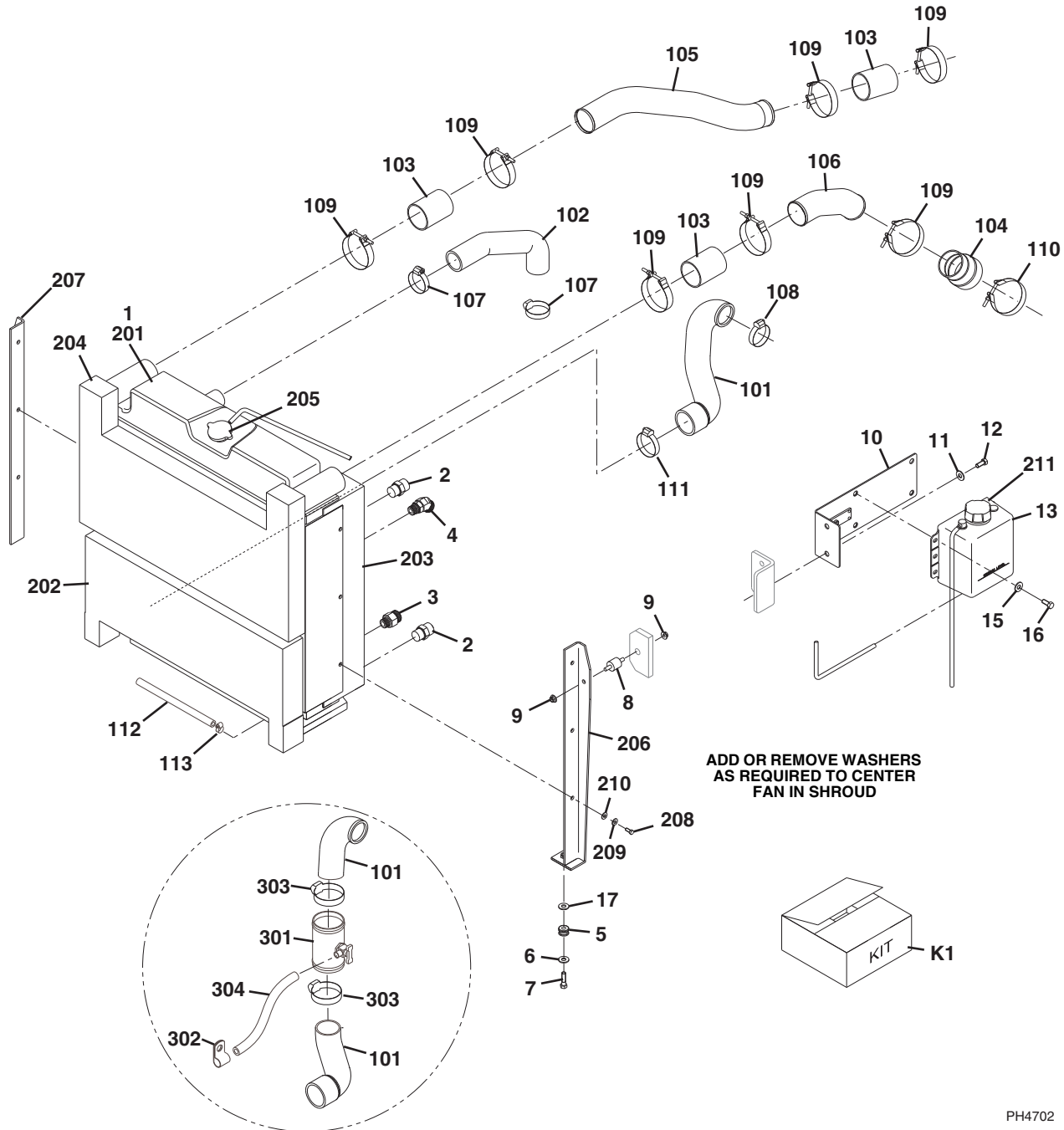
Item	Part Number	Qty.	Description	Rev.
	3620059	Ref	RADIATOR ASSY, (includes items 1 thru 5, qty 4 of item 8, 9, 10, 24 thru 31, 37, 39 & 40)	D
1	8180216	1	TRANSMISSION OIL COOLER ASSY	
2	8303798	4	HEX HD CAPSCREW, M10-1.5X25mm, PC8.8, (torque to 25-45 lb-ft)	
3	8307221	4	PLAIN WASHER, M10	
4	8036816	1	RADIATOR ASSY	
5	8180311	1	RADIATOR PRESSURE CAP, 13 PSI	
6	8405104	3	HOSE CLAMP, #28	
7	7301833	1	UPPER RADIATOR HOSE	
8	8305645	8	HEX NUT, 3/8-16	
9	8303107	4	HEX HD CAPSCREW, 3/8-16X3-1/4, (torque to 13-23 lb-ft)	
10	8770078	1	STRAIGHT CONNECTOR	
11	7057141	AR	FLAT REBOUND WASHER	
12	8278020	4	RUBBER ISOLATOR MOUNT	
13	7301649	1	UPPER LEFT RADIATOR SUPPORT BRACKET	
14	8303798	6	HEX HD CAPSCREW, M10-1.5X25mm, PC8.8	
15	8303106	2	HEX HD CAPSCREW, 3/6-16X2-1/5, GR5	
16	7301648	1	UPPER RIGHT RADIATOR SUPPORT BRACKET	
17	7301653	2	LOWER RADIATOR SUPPORT BRACKET	
18	8303704	2	HEX HD CAPSCREW, 3/8-16X3, GR5	
19	8310200	2	PLAIN WASHER, 3/8	
20	8303784	6	HEX HD CAPSCREW, M10-1.5X20mm, PC8.8	
21	7301651	2	LOWER RADIATOR MOUNT BRACKET	
22	8310246	AR	FENDER WASHER, 0.375X.048X1.5	
23	2720555	1	LOWER RADIATOR HOSE	
24	8036812	1	FRAME ASSY	
25	8180324	4	RUBBER CUSHION	
26	8180326	1	LEFT FRAME BRACKET	
27	8303606	12	HEX HD CAPSCREW, M8-1.25X22mm, PC8.8	
28	8307222	12	PLAIN WASHER, M8	
29	8180325	1	RIGHT FRAME BRACKET	
30	8180215	1	HYDRAULIC OIL COOLER ASSY	
31	8180335	1	OVERFLOW TANK HOSE, 75mm LG	
32	8305004	2	HEX NUT, 1/4-20	
33	8307024	2	LOCKWASHER, M6	
34	8406101	1	TUBE CLIP, 5/8	
35	7085422	1	OVERFLOW TANK, (includes item 36)	
36	8866341	1	OVERFLOW TANK CAP	
37	7029005	1	RADIATOR SHROUD	
38		Ref	MOVING PARTS WARNING DECAL, (see Figure 11-1 for details)	
39	2131216	3	ELBOW, 90 DEGREES	
40	4711400	2	WASHER, 1/4	
41	70023968	1	DRAIN HOSE	
42	8405202	1	GEAR CLAMP, 2.75 MAX DIA	
K1	2915054	1	FAN SHROUD KIT, (includes items 6, 23, 27, 28 & 37)	



ENGINE & ATTACHING PARTS

8042 & 10054 S/N 0160029593 thru 0160038983
10042 S/N 0160029607 thru 0160038370

Figure 4-3 Radiator & Oil Cooler Mounting



8042 S/N 0160029593 THRU 0160030947
10042 S/N 0160029607 THRU 0160030949
10054 S/N 0160029594 THRU 0160030956



Figure 4-3 Radiator & Oil Cooler Mounting

Item	Part Number	Qty.	Description	Rev.
	0275819	1	COOLING INSTALLATION, (includes items 1 thru 17)	F
1	3620081	1	RADIATOR ASSY, (includes items 201 thru 210)	E
2	2111212	2	STRAIGHT ADAPTOR, 12-12	
3	2111210	1	STRAIGHT ADAPTOR, 12-10	
4	2151210	1	45 DEGREE ADAPTOR, 12-10	
5	83683308	2	MOUNTING PAD	
6	7057141	2	FLAT WASHER, REBOUND	
7	0641611	2	HEX HD CAPSCREW, 3/8-16X1-3/8	
8	91033137	2	SHOCK MOUNT	
9	77143006	4	LOCKNUT, 5/16-18	
10	1001091992	1	MOUNTING PLATE	
11	88561004	2	FLAT WASHER, 3/8	
12	0641607	2	HEX HD CAPSCREW, 3/8-16X7/8	
13	1001001413	1	OVERFLOW TANK, (includes item 211)	
15	4711400	2	NARROW WASHER, 1/4	
16	0641406	2	HEX HD CAPSCREW, 1/4-20X3/4	
17	8310246	AR	FENDER WASHER, 3/8	
	0275810	1	COOLANT PLUMBING INSTALLATION, (8042 S/N 0160029593 thru 0160030947), (10042 S/N 0160029607 thru 0160030949), (10054 S/N 0160029594 thru 0160030956), (includes items 101 thru 112, 301 & 302)	E
	1001096328	1	COOLANT PLUMBING INSTALLATION, (8042 S/N 0160030948 thru 0160038983), (10042 S/N 0160030950 & 0160038370), (10054 S/N 0160030957 thru 0160038983), (includes items 101 thru 113)	D
101	2720634	1	LOWER RADIATOR HOSE	
102	2720635	1	UPPER RADIATOR HOSE	
103	1001114495	3	HUMP HOSE	
104	2720645	1	REDUCER HOSE	
105	3460591	1	TURBO TO CHARGE AIR COOLER HOSE	
106	3460592	1	CHARGE AIR COOLER TO INTAKE HOSE, (torque to 60 lb-in)	
107	8405104	2	GEAR CLAMP, 2.25" MAX DIA	
108	8405201	1	GEAR CLAMP, 2.50" MAX DIA	
109	1001001853	7	BAND CLAMP	
110	91163129	1	HEAVY DUTY BAND CLAMP	
111	1320016	1	CLAMP, 2.5 DIA	
112	7132131	1	COOLANT DRAIN HOSE	
113	8405009	1	CLAMP, 0.65 DIA	
201	70020359	1	RADIATOR/TRANSMISSION COOLER	
202	70020360	1	HYDRAULIC OIL COOLER	
203	70020361	1	FAN SHROUD	
204	70020362	1	CHARGE AIR COOLER	
205	70020363	1	RADIATOR CAP	
206	70020364	1	MOUNTING BRACKET, RH	
207	70020365	1	MOUNTING BRACKET, LH	
208	0641506	24	HEX HD CAPSCREW, 5/16-18-3/4	
209	4761500	24	LOCKWASHER, 5/16	
210	4711500	24	FLAT WASHER, 5/16	
211	7026726	1	OVERFLOW TANK CAP	
301	1001096333	1	DRAIN TUBE ASSY	

**ENGINE & ATTACHING PARTS**8042 & 10054 S/N 0160029593 thru 0160038983
10042 S/N 0160029607 thru 0160038370**Figure 4-3 Radiator & Oil Cooler Mounting (Continued)**

Item	Part Number	Qty.	Description	Rev.
302	8406105	1	CLIP 3/4	
303	8405201	2	GEAR CLAMP, 2.50 IN MAX DIA	
304	7132131	1	COOLANT DRAIN HOSE	
K1	1001096452	1	DRAIN TUBE ASSY KIT, (8042 S/N 0160029593 thru 0160030947), (10042 S/N 0160029607 thru 0160030949), (10054 S/N 0160029594 thru 0160030956), (includes items 301 thru 304), (for field installation when radiator has no petcock)	



Figure 4-3 Radiator & Oil Cooler Mounting (Continued)

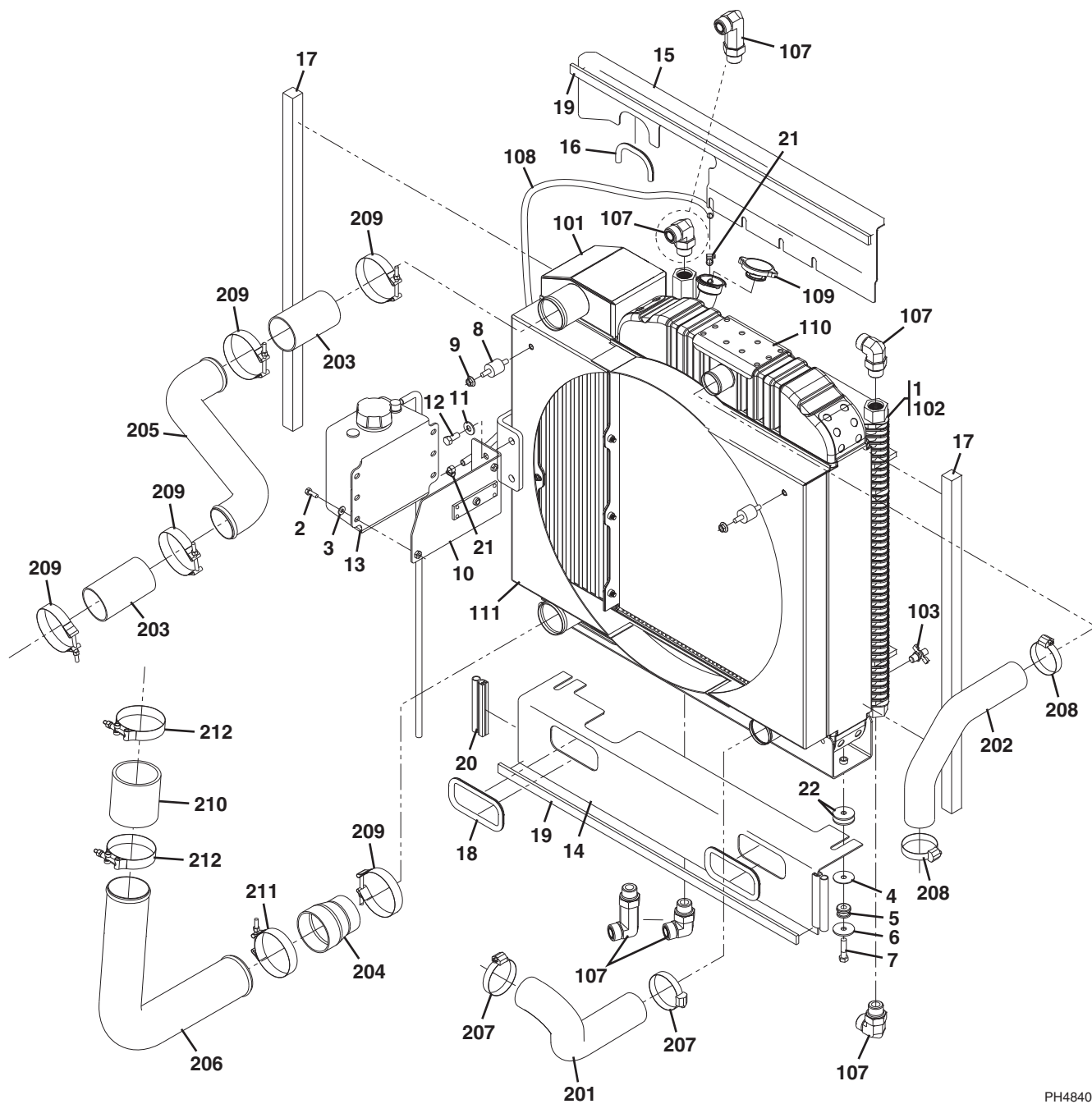
Item	Part Number	Qty.	Description	Rev.



ENGINE & ATTACHING PARTS

8042 & 10054 S/N 0160038984 thru 0160040218
excluding 0160039850, 0160040126 thru 0160040129 & 0160040171
10042 S/N 0160038371 thru 0160040218
excluding 0160039850, 0160040126 thru 0160040129 & 0160040171

Figure 4-3 Radiator & Oil Cooler Mounting



PH4840



Figure 4-3 Radiator & Oil Cooler Mounting

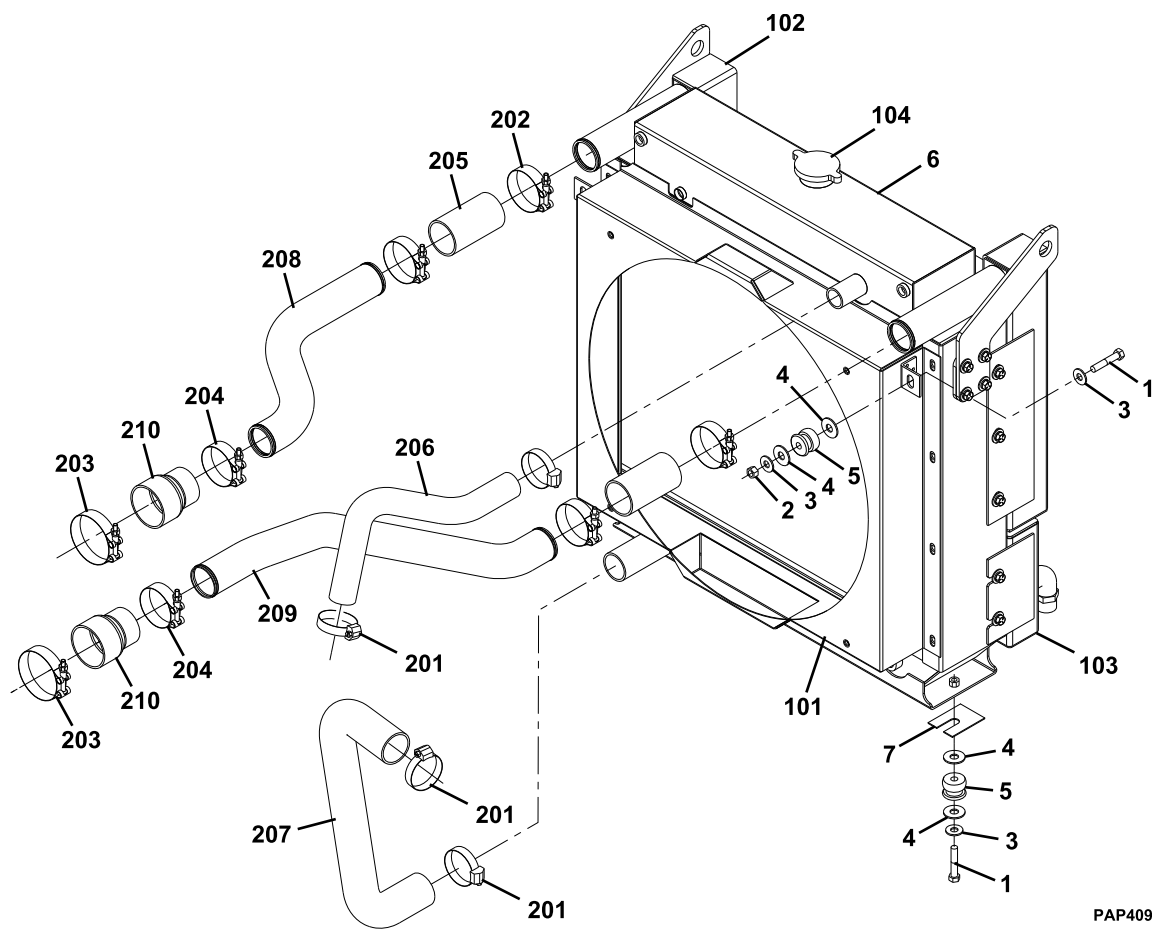
Item	Part Number	Qty.	Description	Rev.
	0275912	Ref	COOLING INSTALLATION, (not available to order, see items 1 thru 22 for service)	D
1	3620083	1	RADIATOR ASSY, (includes items 101 thru 111)	C
2	0641406	2	HEX HD CAPSCREW, 1/4-20X3/4, GR5	
3	4711400	2	WASHER, 1/4	
4	8310246	2	FENDER WASHER, 3/8	
5	83683308	2	MOUNTING PAD	
6	7057141	2	FLAT WASHER	
7	0641612	2	HEX HD CAPSCREW, 3/8-16X1-1/2, GR5	
8	91033137	2	SHOCK MOUNT	
9	77143006	2	WHIZ-LOCK NUT, 5/16-18	
10	1001105976	1	MOUNTING PLATE	
11	4751600	2	WASHER, 3/8	
12	0641607	2	HEX HD CAPSCREW, 3/8-16X7/8, GR5	
13	1001001413	1	COOLANT RECOVERY TANK	
14	1001109010	1	AIR DAM PLATE, (bottom)	
15	1001109011	1	AIR DAM PLATE, (top)	
16	6620551	1	CONDUIT	
17	1001109230	2	FOAM GASKET	
18	6620561	2	CONDUIT	
19	90200755	AR	GASKA-TAPE	
20	91513197	AR	BULB SEAL	
21	1320022	2	BAND CLAMP	
22	1001114780	2	SHIM, (as required)	
101	70023054	1	CHARGE AIR COOLER	
102	70023055	1	TRANSMISSION COOLER	
103	70023056	1	PET COCK	
107	2131212	4	ADAPTER, 90 DEGREES, SHORT, (includes o-ring)	
	2170212	2	ADAPTER, 90 DEGREES, LONG, (includes o-ring)	
108	70023057	1	OVERFLOW HOSE	
109	70023058	1	RADIATOR CAP, 15 PSI	
110	70023059	1	RADIATOR	
111	70023060	1	FAN SHROUD	
	0275913	Ref	ENGINE COOLANT PLUMBING INSTALLATION, (not available to order, see items 201 thru 212 for service)	C
201	2720648	1	COOLANT HOSE, LOWER	
202	2720649	1	COOLANT HOSE, UPPER	
203	1001114495	2	HOSE	
204	2720645	1	REDUCER HOSE	
205	3460595	1	TURBO PIPE	
206	3460596	1	INTAKE PIPE	
207	8405202	2	GEAR CLAMP, (torque to 40 lb-in)	
208	8405201	2	GEAR CLAMP, (torque to 40 lb-in)	
209	1001001853	5	BAND CLAMP	
210	2720650	1	HUMP HOSE	
211	91163129	1	HEAVY DUTY BAND CLAMP, (torque to 75 lb-in)	
212	90028488	2	T-BOLT CLAMP, (torque to 75 lb-in)	



ENGINE & ATTACHING PARTS

S/N 0160040220 & After
including 0160039850, 0160040126 thru 0160040129 &
0160040171

Figure 4-3 Radiator & Oil Cooler Mounting



PAP4090



Figure 4-3 Radiator & Oil Cooler Mounting

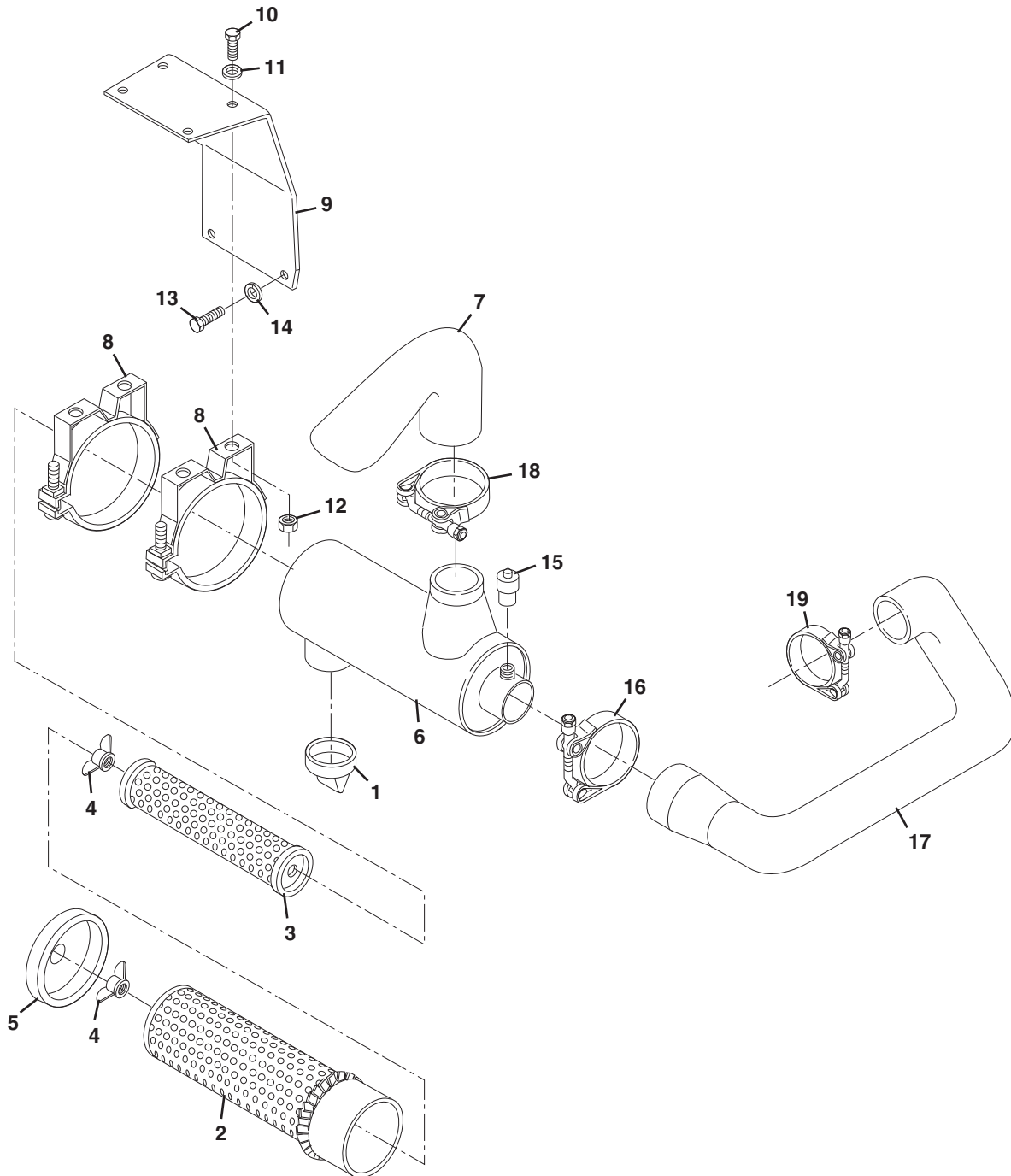
Item	Part Number	Qty.	Description	Rev.
	1001111562	Ref	COOLING INSTALLATION, (not available to order, see items 1 thru 7 for service)	B
1	0691616	4	HEX HD CAPSCREW, 3/8-24X2, GR8	
2	3281605	2	HEX LOCKNUT, 3/8-24	
3	4751600	6	WASHER, 3/8	
4	4751700	8	WASHER, 7/16	
5	8278020	4	RUBBER-ISOLATOR MOUNT	
6	1001111821	1	RADIATOR ASSY, (includes item 101 thru 104)	B
7	1001114780	2	SHIM	
101	70022694	1	SHROUD	
102	NSS	1	CHARGE AIR COOLER	
103	70023601	1	HYDRAULIC OIL COOLER	
104	70022695	1	CAP	
	1001112774	Ref	COOLING PLUMBING INSTALLATION, (not available to order, see items 201 thru 210 for service)	B
201	8405104	4	GEAR CLAMP	
202	8405209	4	T-BOLT CLAMP	
203	8405212	2	T-BOLT CLAMP	
204	8410012	2	T-BOLT CLAMP	
205	91563070	2	RUBBER HOSE COUPLING, 2 IN	
206	1001096435	1	UPPER RADIATOR HOSE	
207	1001096436	1	LOWER RADIATOR HOSE	
208	1001097565	1	PIPE	
209	1001112775	1	PIPE	
210	1001117244	2	REDUCER COUPLING	



ENGINE & ATTACHING PARTS

8042 S/N 13198 thru 18990
10042 S/N 13198 thru 19030
10054 S/N 13198 thru 19079

Figure 4-4 Air Cleaner Assembly



8042 S/N 13198 thru 18990
 10042 S/N 13198 thru 19030
 10054 S/N 13198 thru 19079

ENGINE & ATTACHING PARTS



Figure 4-4 Air Cleaner Assembly

Item	Part Number	Qty.	Description	Rev.
	8273013	1	AIR CLEANER ASSY, (includes items 1 thru 6)	
1	8032764	1	VACUATOR VALVE	
2	8273237	1	PRIMARY FILTER ELEMENT	
3	8273238	1	SECONDARY FILTER ELEMENT	
4	8273272	2	ASSY NUT	
5	8032762	1	END COVER	
6	NSS	1	AIR CLEANER BODY	
7	7097323	1	AIR INTAKE SCOOP	
8	8273240	2	AIR CLEANER MOUNTING BAND	
9	7095302	1	AIR CLEANER MOUNTING BRACKET	
10	8303697	4	HEX HD CAPSCREW, 0.31X0.75	
11	8307203	4	FLAT WASHER, 5/16	
12	8305626	4	HEX LOCKNUT, 5/16	
13	8303618	2	HEX HD CAPSCREW, M12X25mm	
14	8307025	2	LOCKWASHER, M12	
15	8273241	1	25 IN SERVICE INDICATOR	
16	8405307	1	T-BOLT CLAMP, 3-13/16 ID	
17	7095393	1	AIR INTAKE HOSE	
18	8405404	1	T-BOLT BAND CLAMP, 4.38 ID	
19	8405305	1	T-BOLT BAND CLAMP, 3.38 ID	



ENGINE & ATTACHING PARTS

8042 S/N 18991 thru 19987 & 0160002332 thru 0160029592
10042 S/N 19031 thru 19987 & 0160002332 thru 0160029606
10054 S/N 19080 thru 19987 & 0160002332 thru 0160029592

Figure 4-4 Air Cleaner Assembly

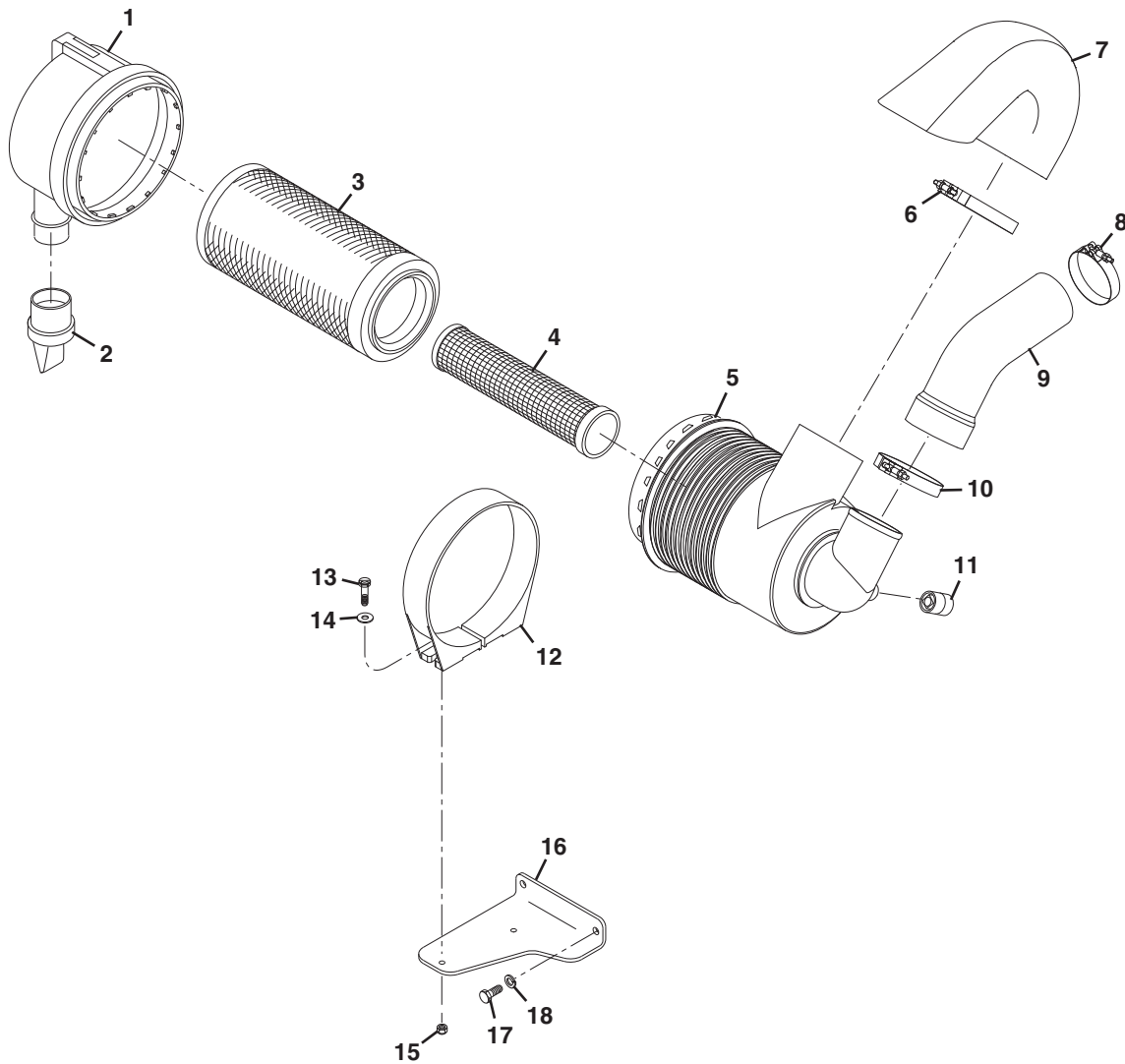




Figure 4-4 Air Cleaner Assembly

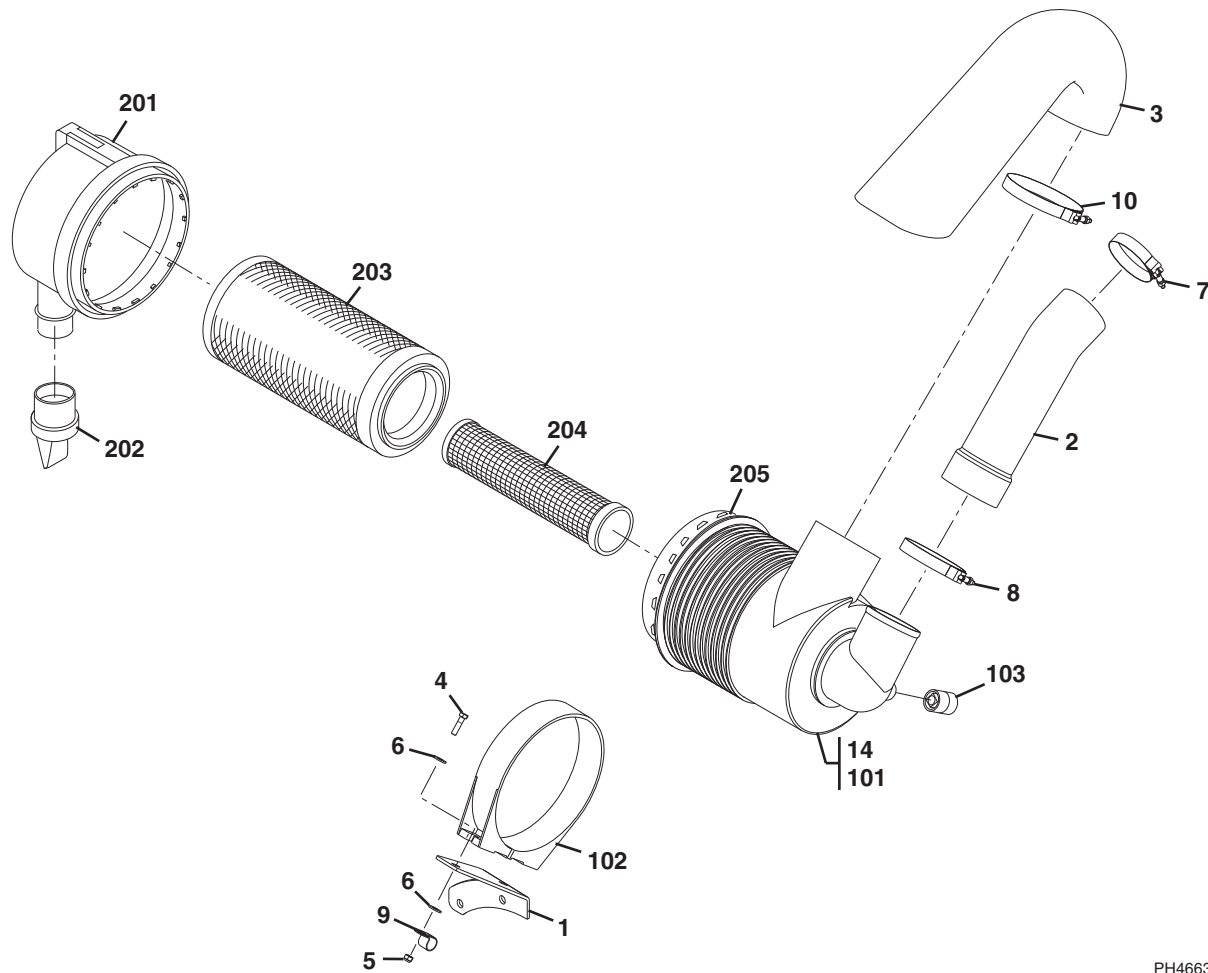
Item	Part Number	Qty.	Description	Rev.
	10268515	1	AIR CLEANER ASSY, (includes items 1 thru 5)	
1	91364023	1	COVER ASSY	
2	10733183	1	VACUATOR VALVE	
3	1101312	1	PRIMARY FILTER ELEMENT	
4	1101313	1	SECONDARY FILTER ELEMENT	
5	NSS	1	AIR CLEANER BODY	
6	8410021	1	T-BOLT BAND CLAMP, 5 ID	
7	7300972	1	AIR INTAKE SCOOP	
8	8405305	1	T-BOLT BAND CLAMP, 3.38 ID	
9	2720549	1	AIR CLEANER HOSE	
10	8405505	1	T-BOLT BAND CLAMP	
11	8273241	1	AIR INTAKE RESTRICTION INDICATOR	
12	10268516	1	AIR CLEANER MOUNTING BAND	
13	8303739	2	HEX HD CAPSCREW, 5/16-18X1-1/4	
14	8307203	2	PLAIN WASHER, 5/16	
15	8305626	2	HEX LOCKNUT, 5/16-18	
16	4341012	1	AIR CLEANER BRACKET	
17	8303618	2	HEX HD CAPSCREW, M12-1.75X25mm, PC8.8	
18	8307025	2	LOCKWASHER, M12	



ENGINE & ATTACHING PARTS

8042 & 10054 S/N 0160029593 thru 0160040218
excluding 0160039850, 0160040126 thru 0160040129 & 0160040171
10042 S/N 0160029607 thru 0160040218
excluding 0160039850, 0160040126 thru 0160040129 & 0160040171

Figure 4-4 Air Cleaner Assembly



PH4663

8042 & 10054 S/N 0160029593 thru 0160040218
 excluding 0160039850, 0160040126 thru 0160040129 & 0160040171
 10042 S/N 0160029607 thru 0160040218
 excluding 0160039850, 0160040126 thru 0160040129 & 0160040171

ENGINE & ATTACHING PARTS

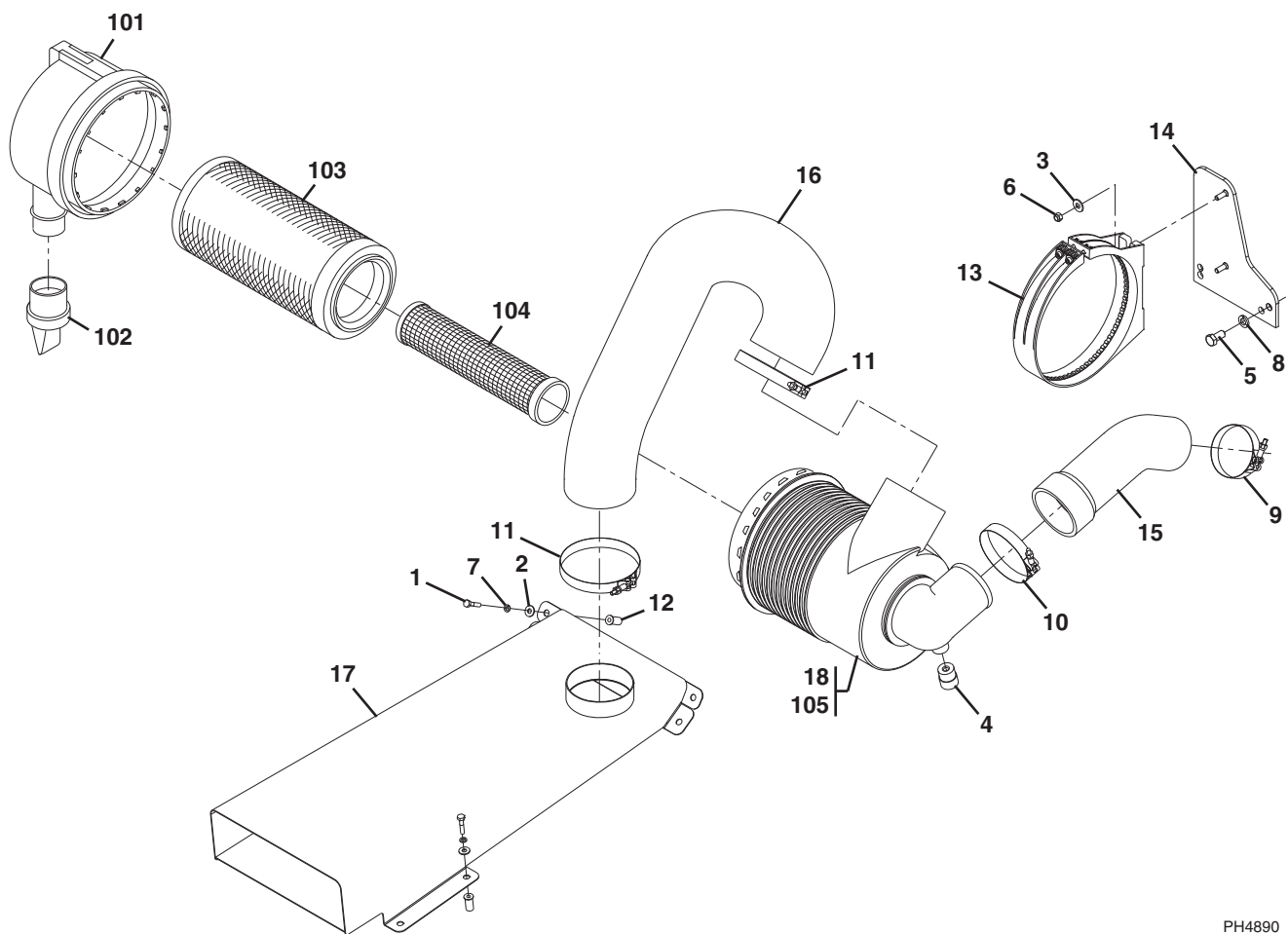


Figure 4-4 Air Cleaner Assembly

Item	Part Number	Qty.	Description	Rev.
	2120223	1	AIR CLEANER ASSY, (includes items 1 thru 14)	D
1	0903638	1	AIR CLEANER BRACKET	
2	2720636	1	AIR CLEANER HOSE	
3	2720637	1	AIR INTAKE SCOOP	
4	0641510	2	HEX HD CAPSCREW, 5/16-18X1-1/4	
5	8305626	2	HEX LOCKNUT, 5/16-18	
6	4751500	2	PLAIN WASHER, 5/16	
7	8405305	1	T-BOLT BAND CLAMP, 3.38 ID	
8	8405505	1	T-BOLT BAND CLAMP	
9	8406102	1	WIRE CLIP	
10	8410021	1	T-BOLT BAND CLAMP, 5 ID	
14	1001097585	1	AIR CLEANER ASSY, (includes items 101 thru 103)	A
101	10268515	1	AIR CLEANER, (includes items 201 thru 205)	C
102	10268516	1	AIR CLEANER MOUNTING BAND	
103	8273241	1	AIR RESTRICTION INDICATOR	
201	91364023	1	COVER ASSY	
202	10733183	1	VACUATOR VALVE	
203	1101312	1	PRIMARY FILTER ELEMENT	
204	1101313	1	SECONDARY FILTER ELEMENT	
205	NSS	1	AIR CLEANER BODY	



Figure 4-4 Air Cleaner Assembly



PH4890



Figure 4-4 Air Cleaner Assembly

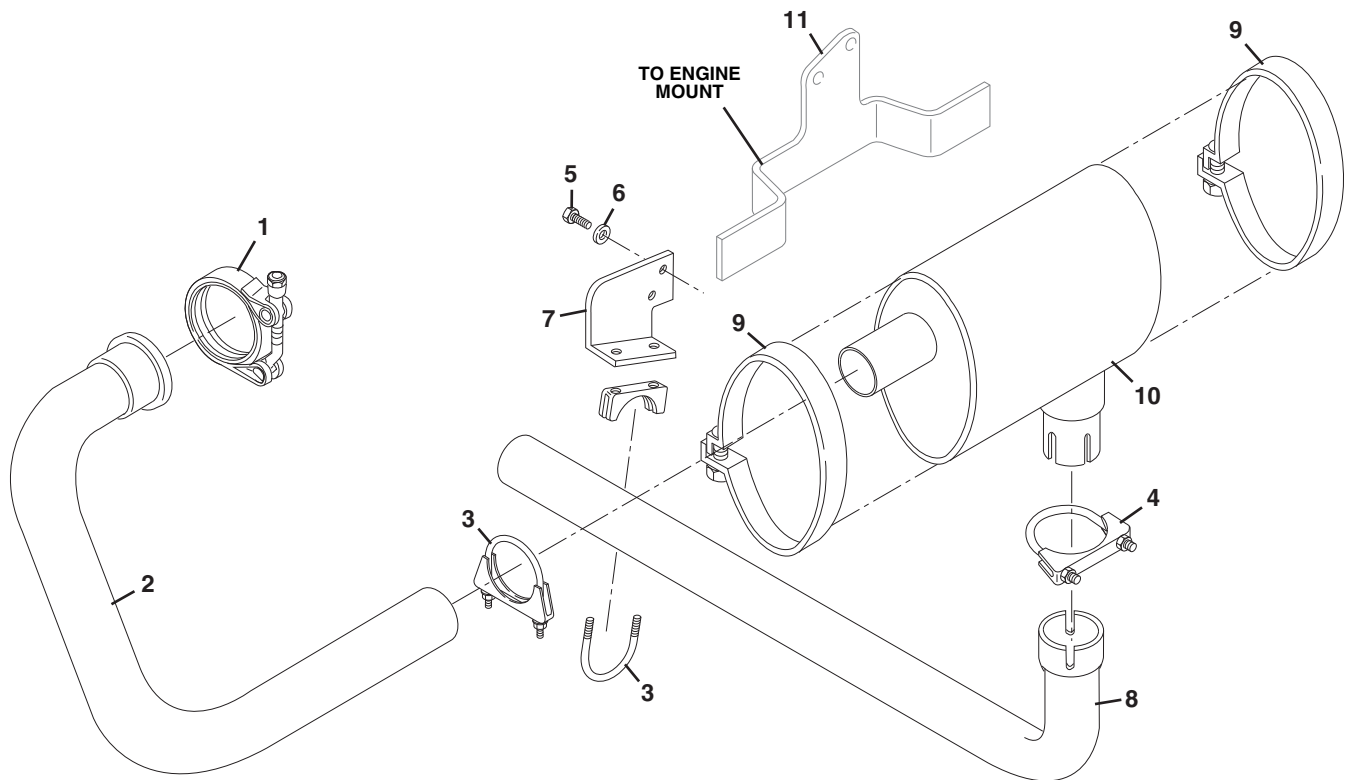
Item	Part Number	Qty.	Description	Rev.
	1001111556	Ref	AIR INTAKE INSTALLATION, (not available to order, see items 1 thru 18 for service)	A
1	0641410	4	HEX HD CAPSCREW, 1/4-20X1-1/4, GR5	
2	4751400	4	WASHER, 1/4	
3	4751500	2	WASHER, 5/16	
4	8273241	1	AIR INTAKE RESTRICTION INDICATOR	
5	8303618	2	HEX HD CAPSCREW, 12X1-3/4X25mm	
6	8305626	2	HEX LOCKNUT, 5/16-18	
7	8307002	4	LOCKWASHER, 1/4	
8	8307025	2	LOCKWASHER, 12mm	
9	84055305	1	T-BOLT CLAMP	
10	8405505	1	T-BOLT CLAMP	
11	8410021	2	T-BOLT CLAMP	
12	8580420	4	WELL NUT	
13	10268516	1	MOUNTING BAND	
14	1001096484	1	AIR CLEANER SUPPORT	
15	1001098977	1	AIR INTAKE PIPE	
16	1001111557	1	INTAKE HOSE	
17	1001112747	1	AIR INTAKE DUCT WELDMENT	
18	10268515	1	AIR CLEANER, (includes items 101 thru 105)	C
101	91364023	1	COVER ASSY	
102	80373094	1	VACUATOR VALVE	
103	1101312	1	PRIMARY FILTER ELEMENT	
104	1101313	1	SECONDARY FILTER ELEMENT	
105	NSS	1	AIR CLEANER BODY	



ENGINE & ATTACHING PARTS

8042 S/N 13198 thru 18990
10042 S/N 13198 thru 19030
10054 S/N 13198 thru 19079

Figure 4-5 Exhaust System



8042 S/N 13198 thru 18990
 10042 S/N 13198 thru 19030
 10054 S/N 13198 thru 19079

ENGINE & ATTACHING PARTS



Figure 4-5 Exhaust System

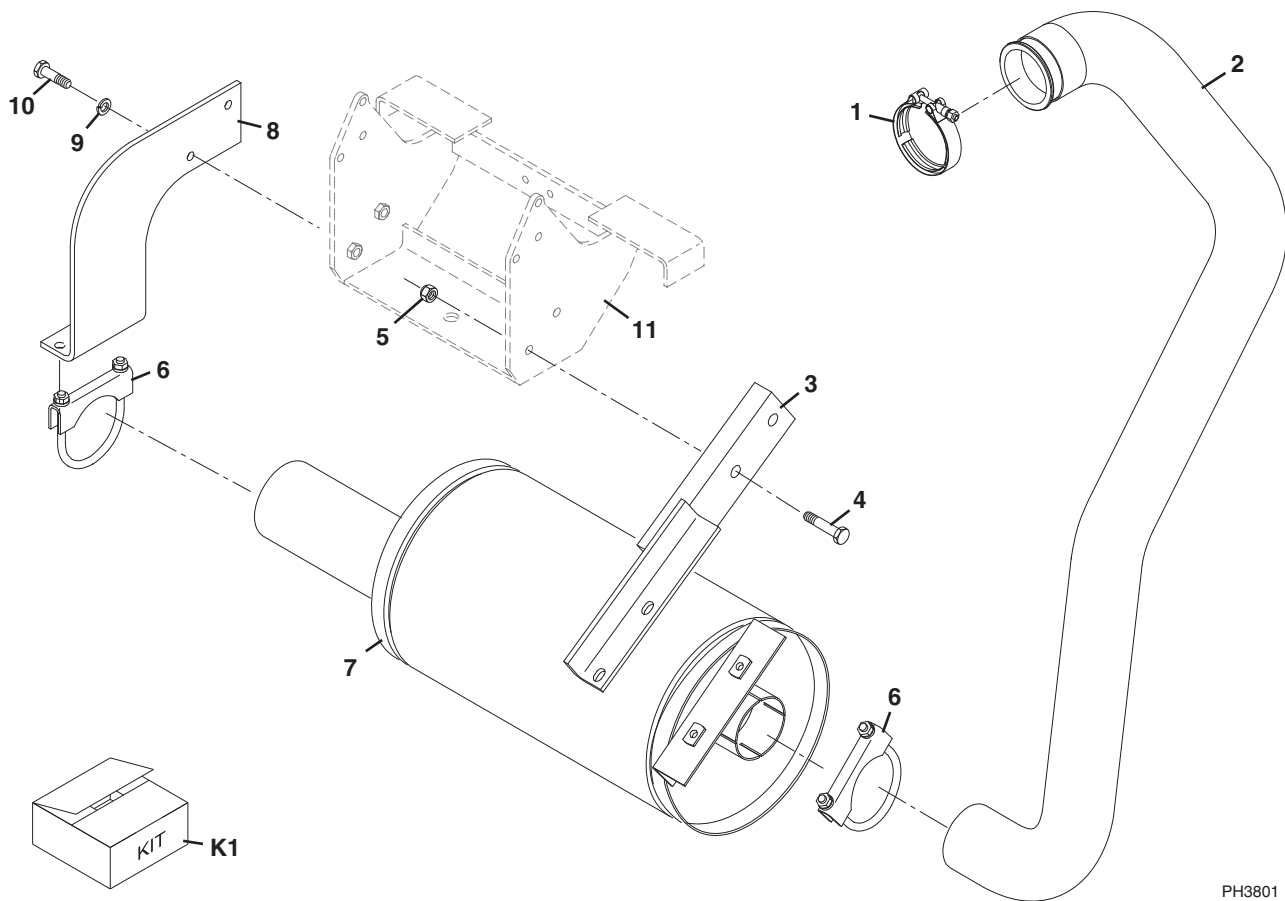
Item	Part Number	Qty.	Description	Rev.
	7301498	Ref	EXHAUST INSTALLATION, (includes items 1 thru 10)	I
1	8275240	1	V-BAND CLAMP	
2	7138871	1	EXHAUST PIPE	
3	8275247	2	MUFFLER CLAMP, 3	
4	0641718	2	HEX HD CAPSCREW, 7/16-14X2-1/4	
5	8310109	2	HEX LOCKNUT, 7/16-14	
6	8307005	2	LOCKWASHER, 3/8	
7	7138815	1	EXHAUST PIPE SUPPORT	
8	7138587	1	TAIL PIPE	
9	7126992	2	BAND CLAMP	
10	7150642	1	MUFFLER	
11		Ref	MUFFLER BRACKET, (see Figure 4-1 for details)	



ENGINE & ATTACHING PARTS

8042 S/N 18991 thru 19987 & 0160002332 thru 0160029592
10042 S/N 19031 thru 19987 & 0160002332 thru 0160029606
10054 S/N 19080 thru 19987 & 0160002332 thru 0160029592

Figure 4-5 Exhaust System



PH3801



Figure 4-5 Exhaust System

Item	Part Number	Qty.	Description	Rev.
	7301498	Ref	EXHAUST INSTALLATION, (includes items 1 thru 10)	I
1	8275240	1	V BAND CLAMP	
2	7301505	1	EXHAUST PIPE	
3	7301506	1	EXHAUST MUFFLER MOUNTING BRACKET	
4	8303622	2	HEX HD CAPSCREW, 3/8-16X2	
5	8305645	2	HEX LOCKNUT, 3/8-16	
6	8275247	2	MUFFLER CLAMP, 3	
7	8275045	1	ROUND MUFFLER	
8	7138815	1	EXHAUST PIPE BRACKET	
9	8307005	2	LOCKWASHER, 3/8	
10	8303675	2	HEX HD CAPSCREW, 3/8-16X1-1/4	
11		Ref	ENGINE MOUNT, (see Figure 4-1 for details)	
K1	1001102305	1	EXHAUST UPGRADE KIT, (see Figure 12-10 for details)	

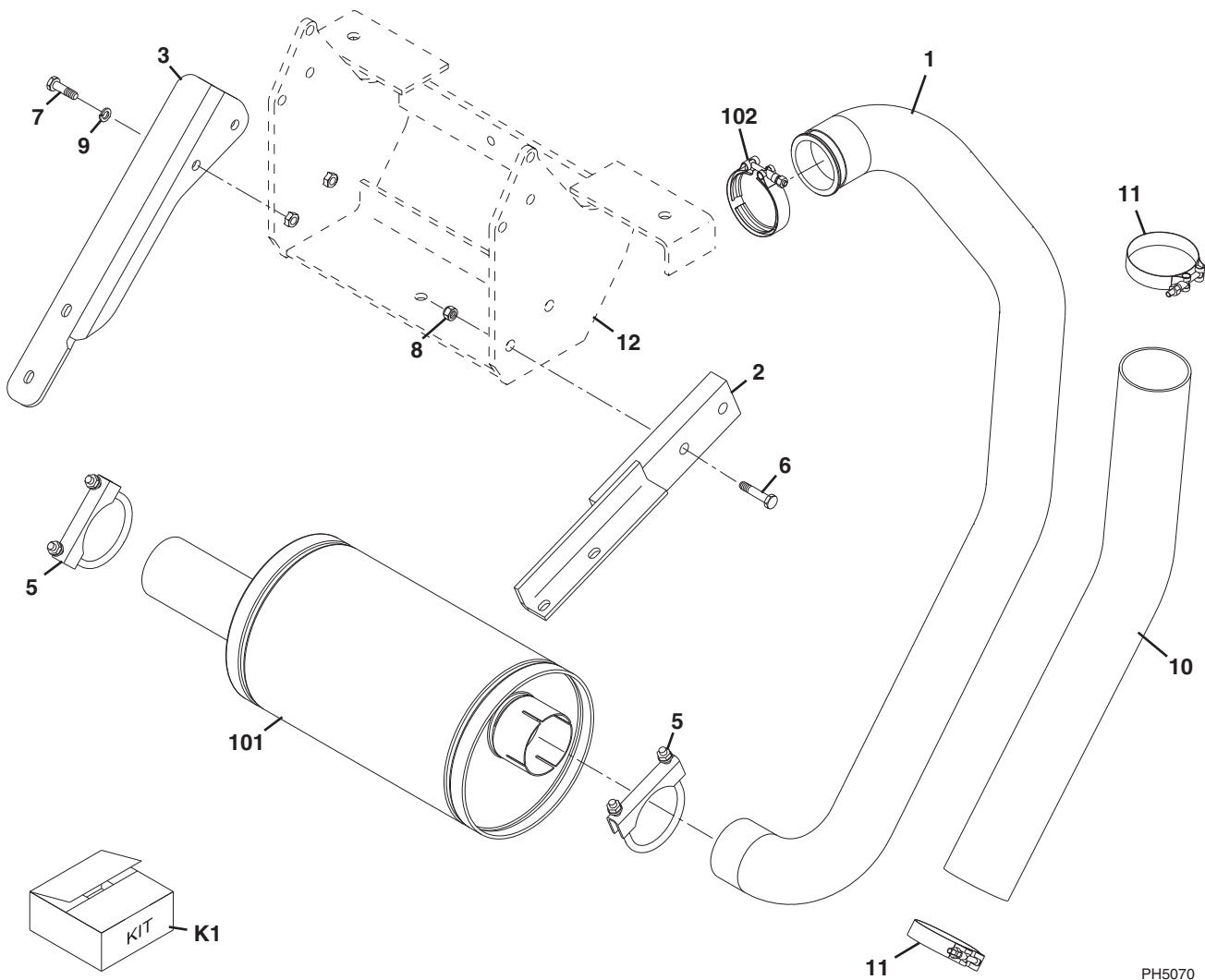


ENGINE & ATTACHING PARTS

8042 S/N 0160029593 thru 0160035236
10042 S/N 0160029607 thru 0160035245
10054 S/N 0160029594 thru 0160035235

Figure 4-5 Exhaust System

MACHINE MAY HAVE UPGRADE KIT INSTALLED. IDENTIFY THE SYSTEM ON MACHINE BY VISUAL INSPECTION OF MOUNTING BRACKETS BEFORE ORDERING PARTS.



PH5070

8042 S/N 0160029593 thru 0160035236
 10042 S/N 0160029607 thru 0160035245
 10054 S/N 0160029594 thru 0160035235

ENGINE & ATTACHING PARTS



Figure 4-5 Exhaust System

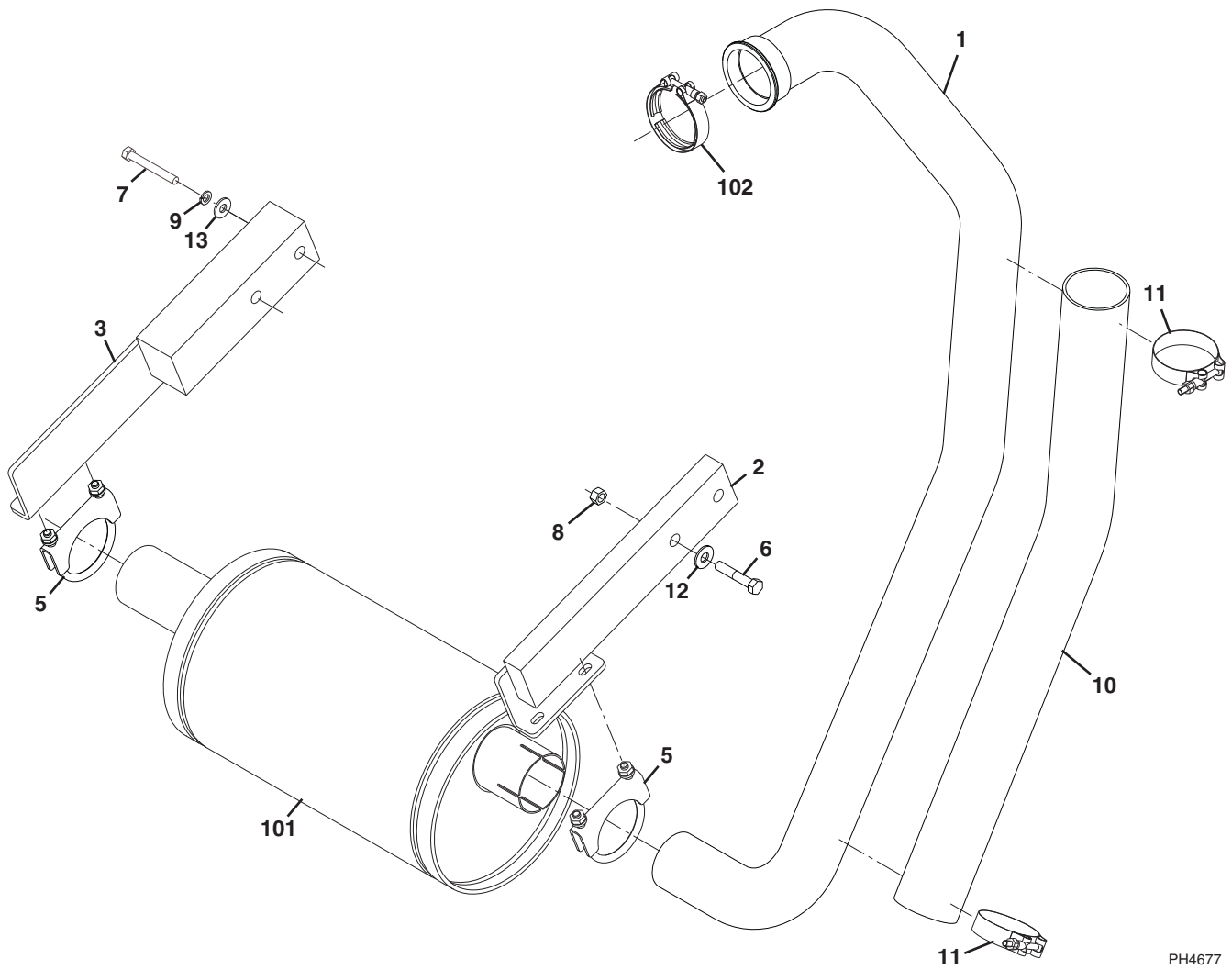
Item	Part Number	Qty.	Description	Rev.
	1001093303	Ref	EXHAUST INSTALLATION, (includes items 1 thru 11)	D
1	4569499	1	EXHAUST PIPE	
2	1001094357	1	EXHAUST BRACKET	
3	7302304	1	EXHAUST BRACKET	
5	8275247	2	CLAMP, 3 IN	
6	0641712	2	HEX HD CAPSCREW, 7/16-14X1-1/2, (torque to 35-45 lb-ft)	
7	8303675	2	HEX HD CAPSCREW, 7/16-14X1-1/4, GR5, (torque to 23-28 lb-ft)	
8	8310109	2	HEX LOCKNUT, 7/16-14	
9	8307005	2	LOCKWASHER	
10	4100109	1	FIBERGLASS SLEEVE, 3 IN DIA	
11	90028488	2	CLAMP, T-BOLT	
12		Ref	ENGINE MOUNT, (see Figure 4-1 for details)	
101	8275045	1	MUFFLER	
102	8275240	1	V BAND CLAMP	
K1	1001102306	1	EXHAUST UPGRADE KIT	



ENGINE & ATTACHING PARTS

8042 & 10054 S/N 0160035236 thru 0160040218
excluding 0160039850, 0160040126 thru 0160040129 & 0160040171
10042 S/N 0160035246 thru 0160040218
excluding 0160039850, 0160040126 thru 0160040129 & 0160040171

Figure 4-5 Exhaust System



PH4677

8042 & 10054 S/N 0160035236 thru 0160040218
 excluding 0160039850, 0160040126 thru 0160040129 & 0160040171
 10042 S/N 0160035246 thru 0160040218
 excluding 0160039850, 0160040126 thru 0160040129 & 0160040171

ENGINE & ATTACHING PARTS

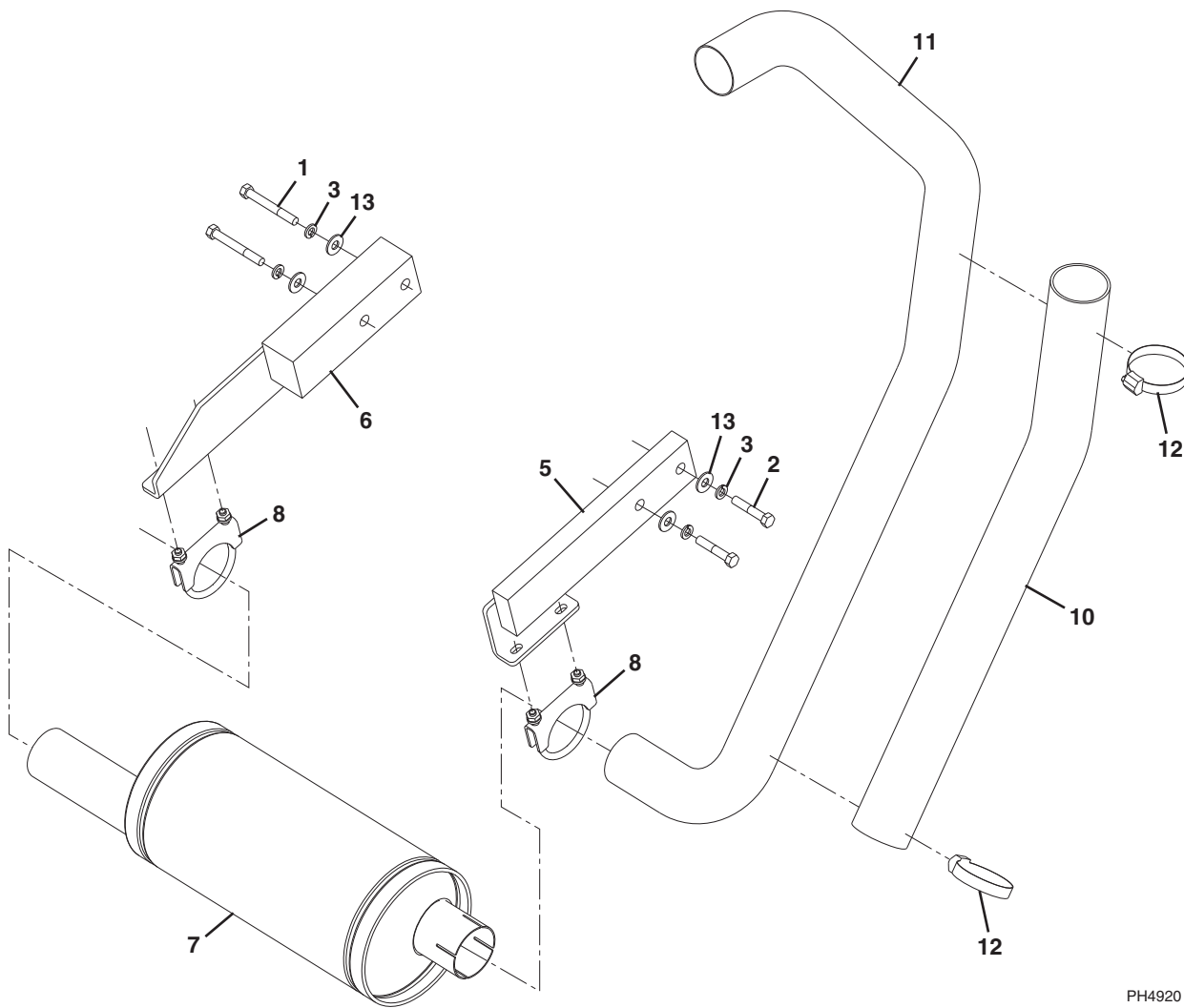


Figure 4-5 Exhaust System

Item	Part Number	Qty.	Description	Rev.
	1001093303	Ref	EXHAUST INSTALLATION, (includes items 1 thru 13)	G
1	1001100296	1	EXHAUST PIPE	
2	1001100257	1	EXHAUST BRACKET	
3	1001100258	1	EXHAUST BRACKET	
5	83683175	2	CLAMP, 2-1/2 IN	
6	0641718	2	HEX HD CAPSCREW, 7/16-14X2-1/4, GR5, (torque to 35-45 lb-ft)	
7	0641624	2	HEX HD CAPSCREW, 3/8-16X3, GR5, (torque to 23-28 lb-ft)	
8	8310109	2	HEX LOCKNUT, 7/16-14	
9	8307005	2	LOCKWASHER	
10	1001101193	2 ft	FIBERGLASS SLEEVE, 2-1/2 IN DIA	
11	8405209	2	CLAMP, T-BOLT	
12	4751700	2	WASHER, 7/16	
13	4751600	2	WASHER, 3/8	
101	1001100978	1	MUFFLER	
102	8275240	1	V BAND CLAMP	



Figure 4-5 Exhaust System



PH4920

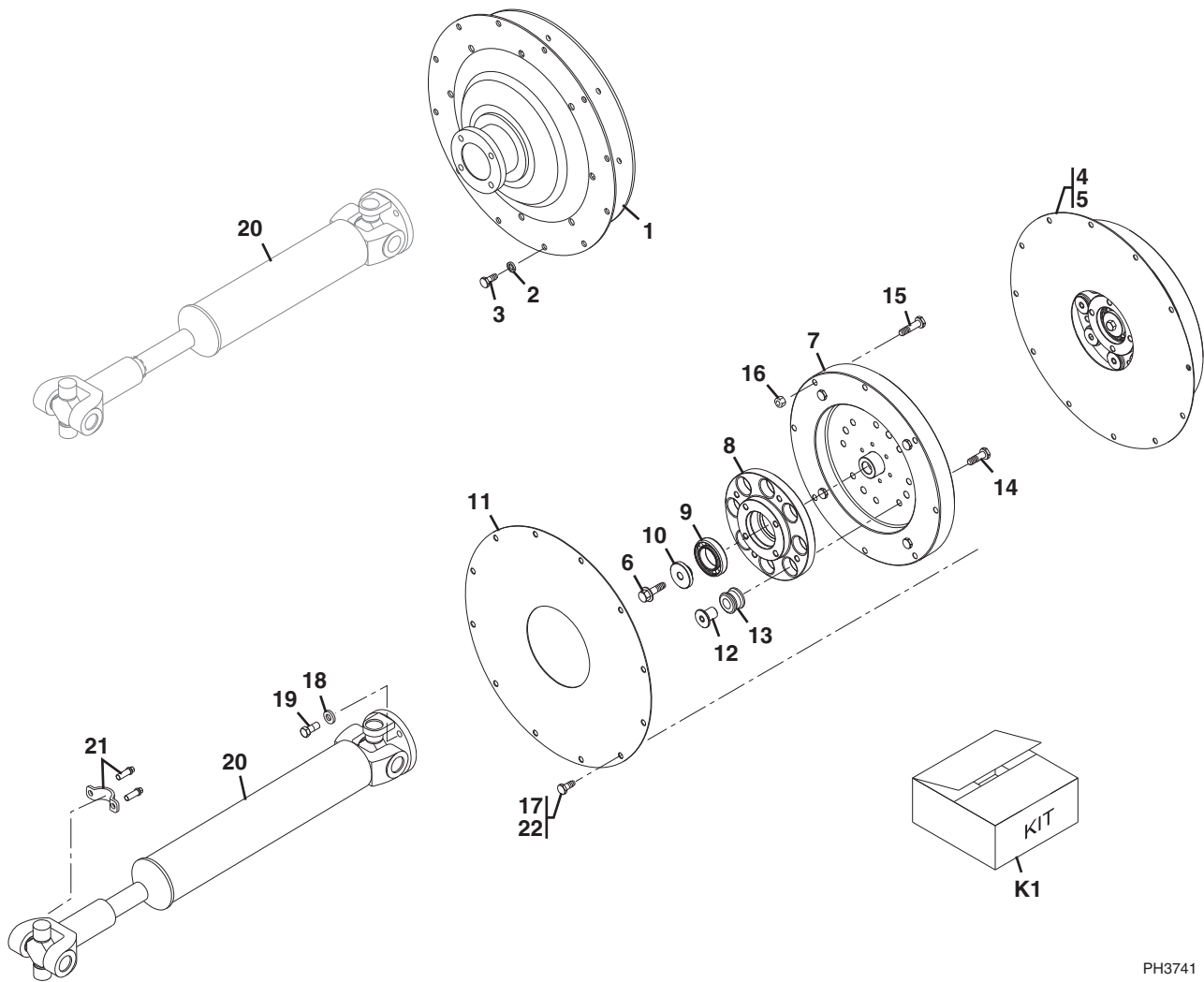


Figure 4-5 Exhaust System

Item	Part Number	Qty.	Description	Rev.
	1001096425	Ref	EXHAUST INSTALL, (not available to order, see items 1 thru 13 for service)	E
1	0641624	2	HEX HD CAPSCREW, 3/8-16X3, GR5, (torque to 25-30 lb-ft)	
2	0641616	2	HEX HD CAPSCREW, 3/8-16X2, GR5, (torque to 25-30 lb-ft)	
3	8307005	4	LOCKWASHER, 3/8	
5	1001114012	1	EXHAUST BRACKET, INLET	
6	1001114013	1	EXHAUST BRACKET, OUTLET	
7	1001100978	1	MUFFLER	
8	83683175	2	CLAMP	
10	1001101193	AR	FIBERGLASS SLEEVE	
11	1001114040	1	EXHAUST PIPE	
12	8405202	2	GEAR CLAMP	
13	4751600	4	WASHER, 3/8	



Figure 4-6 Isolation Coupler



PH3741

8042 S/N 13198 thru 18990
 10042 S/N 13198 thru 19030
 10054 S/N 13198 thru 19079

ENGINE & ATTACHING PARTS



Figure 4-6 Isolation Coupler

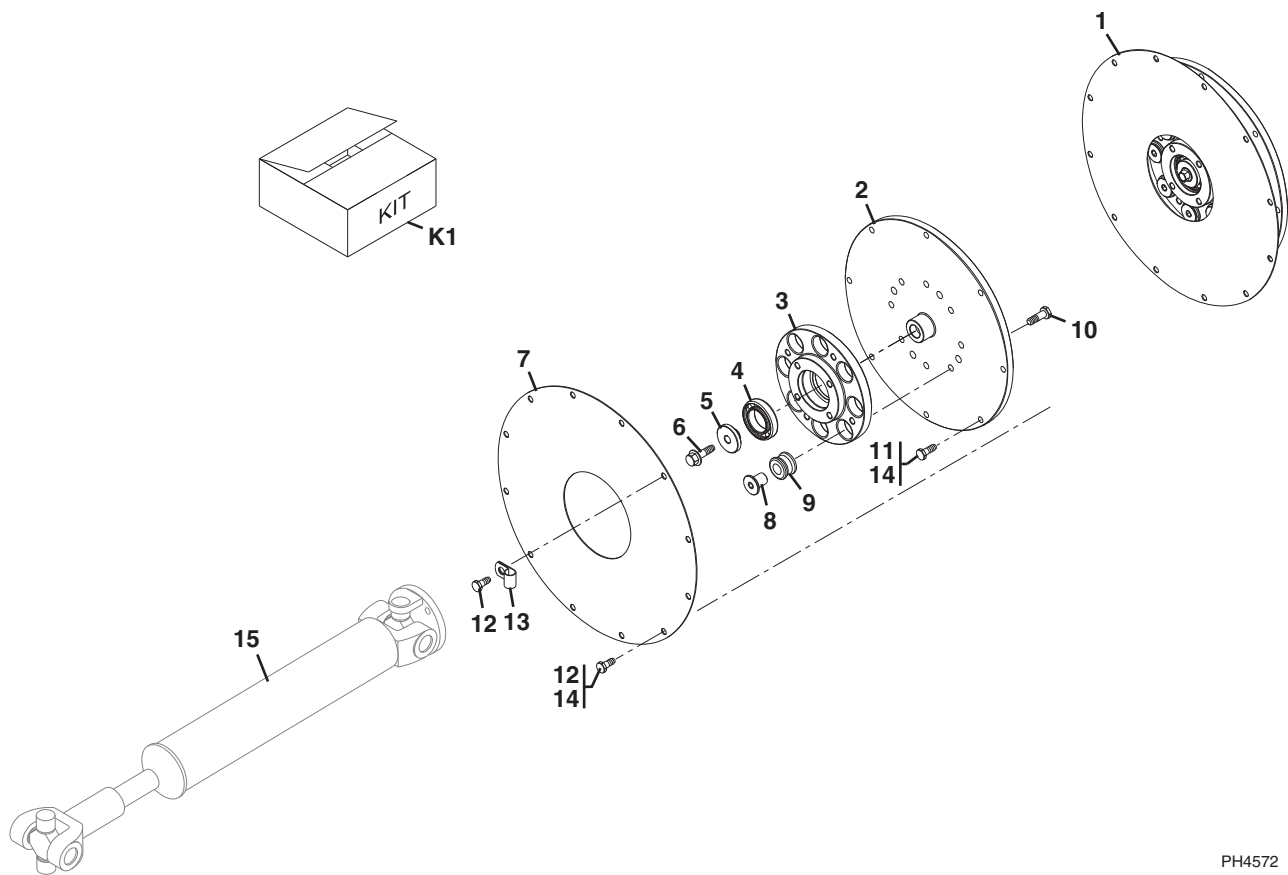
Item	Part Number	Qty.	Description	Rev.
1	NSS	1	ISOLATION COUPLER ASSY, (not available to order, use 7302031 for replacement)	
2	8307023	12	LOCKWASHER, M10	
3	8303784	12	HEX HD CAPSCREW, M10X20mm	
4	7302031	1	ISOLATION COUPLER REPLACEMENT KIT, (includes items 5 thru 22)	
5	8841318	1	ISOLATION COUPLER ASSY, (includes items 6 thru 14)	
6	Use Kit K1	1	HEX HD CAPSCREW, 7/16-20X1-1/2, GR8	
7	NSS	1	FLYWHEEL PLATE, (not available to order, use 8841318 for replacement)	
8	7029264	1	COUPLING HUB	
9	NSS	1	BALL BEARING, (not available to order, use 8841318 for replacement)	
10	Use Kit K1	1	THRU BUSHING	
11	7029265	1	COVER PLATE	
12	Use Kit K1	8	THREADED BUSHING	
13	Use Kit K1	8	NEOPRENE INSERT	
14	Use Kit K1	8	HEX HD CAPSCREW, 7/16-20X1-1/4, GR8	
15	0761015	4	HEX HD BOLT, M10X1.5X35mm	
16	8305630	8	HEX LOCKNUT, M10X1.50	
17	8303784	12	HEX HD CAPSCREW, M10-1.5X20mm, PC8	
18	8307006	4	SPRING LOCKWASHER, 7/16	
19	8310425	4	HEX HD CAPSCREW, 7/16 -20X1.25, GR8	
20		Ref	DRIVE SHAFT, (engine input), (see Figure 5-33 for details)	
21	8880219	1	STRAP KIT, (includes 2 straps with hardware)	
22	8526036	1	LOCTITE® 242™, (apply to items 17, 33 & 34)	
K1	70020228	1	ISOLATION COUPLER SERVICE KIT, (includes items 6, 10, 12, 13 & 14)	



ENGINE & ATTACHING PARTS

8042 S/N 18991 thru 19987 & 0160002332 & After
10042 S/N 19031 thru 19987 & 0160002332 & After
10054 S/N 19080 thru 19987 & 0160002332 & After

Figure 4-6 Isolation Coupler



PH4572



Figure 4-6 Isolation Coupler

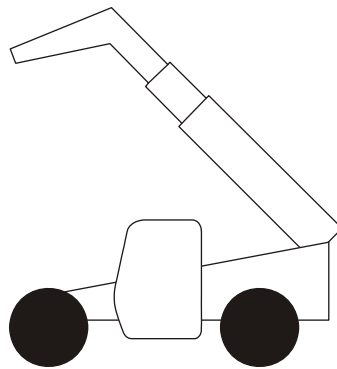
Item	Part Number	Qty.	Description	Rev.
1	8841319	1	ISOLATION COUPLER ASSY, (includes items 2 thru 10)	
2	NSS	1	FLYWHEEL PLATE, (not available to order, use 8841319 for replacement)	
3	7029264	1	COUPLING HUB	
4	NSS	1	BALL BEARING, (not available to order, use 8841319 for replacement)	
5	Use Kit K1	1	THRU BUSHING	
6	Use Kit K1	5	HEX HD CAPSCREW, 7/16-20X1-1/2, GR8	
7	7029265	1	COVER PLATE	
8	Use Kit K1	8	THREADED BUSHING	
9	Use Kit K1	8	NEOPRENE INSERT	
10	Use Kit K1	8	HEX HD CAPSCREW, 7/16-20X1-1/4, GR8	
11	8303755	8	HEX HD CAPSCREW, M10-1.5X30mm, PC8.8, (torque to 54-61 Nm)	
12	8303784	12	HEX HD CAPSCREW, M10-1.5X20mm, PC8, (torque to 54-61 Nm)	
13	8406105	1	TUBE CLIP, 3/4 DIA	
14	8526007	AR	LOCTITE® 242™, (apply to items 11 & 12)	
15		Ref	DRIVE SHAFT, (engine input), (see Figure 5-33 for details)	
K1	70020228	1	ISOLATION COUPLER SERVICE KIT, (includes items 5, 6, 8, 9 & 10)	

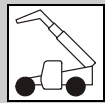


ENGINE & ATTACHING PARTS

This Page Intentionally Left Blank

SECTION 5 DRIVE TRAIN





DRIVE TRAIN

Figure 5-1 Drive Train Components

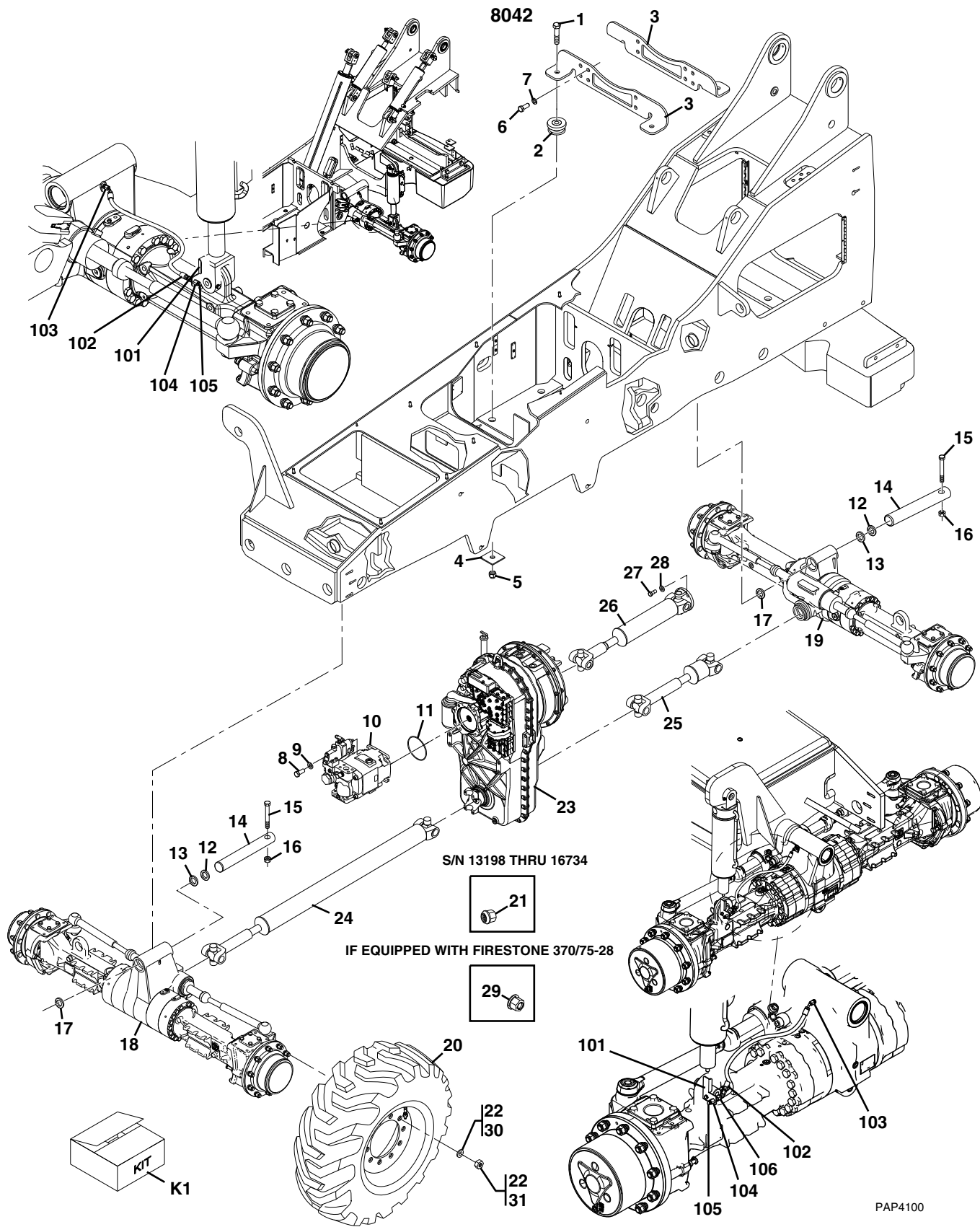




Figure 5-1 Drive Train Components

Item	Part Number	Qty.	Description	Rev.
1	8303724	4	HEX HD CAPSCREW, 0.75-10X3.5, (torque to 180-320 lb-ft)	
2	8278007	4	RUBBER MOUNT	
3	7138634	2	TRANSMISSION MOUNT BRACKET	
4	7054351	4	REBOUND WASHER	
5	8310067	4	LOCK NUT, 0.75-10	
6	8310215	8	HEX HD CAPSCREW, M16X2X40mm, PC8.8, (torque to 145-260 Nm)	
7	8307049	8	LOCKWASHER, M16	
8	8303519	4	HEX HD CAPSCREW, M12X1.75X35mm, PC8.8	
9	8310356	4	HARDENED WASHER, 12mm	
10		Ref	MAIN PUMP ASSY, (see Figure 9-8 for details)	
11	8630019	1	O-RING	
12	8307913	AR	SPACER, WASHER 0.12	
13	8307912	AR	SPACER, WASHER 0.06	
14	7079442	2	AXLE PIVOT PIN, (S/N 13198 thru 19987 & 0160002332 thru 0160018373)	
	3423254	2	AXLE PIVOT PIN, (S/N 0160018381 & After)	
15	0682036	2	HEX HD CAPSCREW, 5/8-11X4-1/2, (S/N 13198 thru 19987 & 0160002332 thru 0160018373)	
	0642640	2	HEX HD CAPSCREW, 1-8X5, (S/N 0160018381 & After)	
16	8305643	2	HEX LOCKNUT, 5/8-11, (S/N 13198 thru 19987 & 0160002332 thru 0160018373)	
	8310116	2	HEX LOCKNUT, 1-8, (S/N 0160018381 & After)	
17	8310259	AR	SPACER, WASHER 0.09	
18		Ref	FRONT AXLE, (see Figure 5-2 for details)	
19		Ref	REAR AXLE, (see Figure 5-10 for details)	
20		Ref	TIRE & RIM ASSY, (see Figure 5-34 for details)	
21	Use Kit K1	Ref	SPHERICAL COLLAR WHEEL NUT, (S/N 13198 thru 16734), (no longer available, first time order use kit 7301738 to replace all one piece wheel nuts)	
22	8024035	40	FLANGE WHEEL NUT & SPHERICAL WASHER SERVICE KIT, (not required with Firestone 370/75-28), (S/N 16735 thru 19987 & 0160002332 thru 0160039921)	
23		Ref	ZF TRANSMISSION, (see Figure 5-18 for details)	
24		Ref	DRIVE SHAFT, (front axle), (see Figure 5-33 for details)	
25		Ref	DRIVE SHAFT, (rear axle), (see Figure 5-33 for details)	
26		Ref	DRIVE SHAFT, (engine to transmission), (see Figure 5-33 for details)	
27	8310425	4	HEX HD CAPSCREW, 0.438-20X2.25	
28	8307006	4	LOCKWASHER, 0.438	
29	91403193	40	WHEEL NUT, (torque to 430-470 lb-ft), (if equipped with Firestone 370/75-28)	
30	8786573	40	WASHER, (not required with Firestone 370/75-28), (S/N 0160039932 & After)	
31	8786572	40	WHEEL NUT, (torque to 430-470 lb-ft), (not required with Firestone 370/75-28), (S/N 0160039932 & After)	
	1001107525	Ref	AXLE PIN LUBE KIT INSTALLATION, (not available to order, see items 101 thru 106 for service)	B
101	1001099687	2	BRACKET	
102	1001099688	2	HOSE	
103	1001107589	2	ADAPTER	
104	80623016	2	BULKHEAD ADAPTER	
105	88671022	2	LUBE FITTING, 90 DEGREES	
106	2220677	1	ADAPTER, 45 DEGREES	



DRIVE TRAIN

Figure 5-1 Drive Train Components (Continued)

Item	Part Number	Qty.	Description	Rev.
K1	7301738	4	WHEEL NUT KIT, (single wheel replacement), (includes 10 flange wheel nuts & 10 spherical washers)	

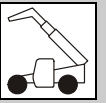
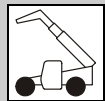


Figure 5-1 Drive Train Components (Continued)

Item	Part Number	Qty.	Description	Rev.



DRIVE TRAIN

Figure 5-1 Drive Train Components

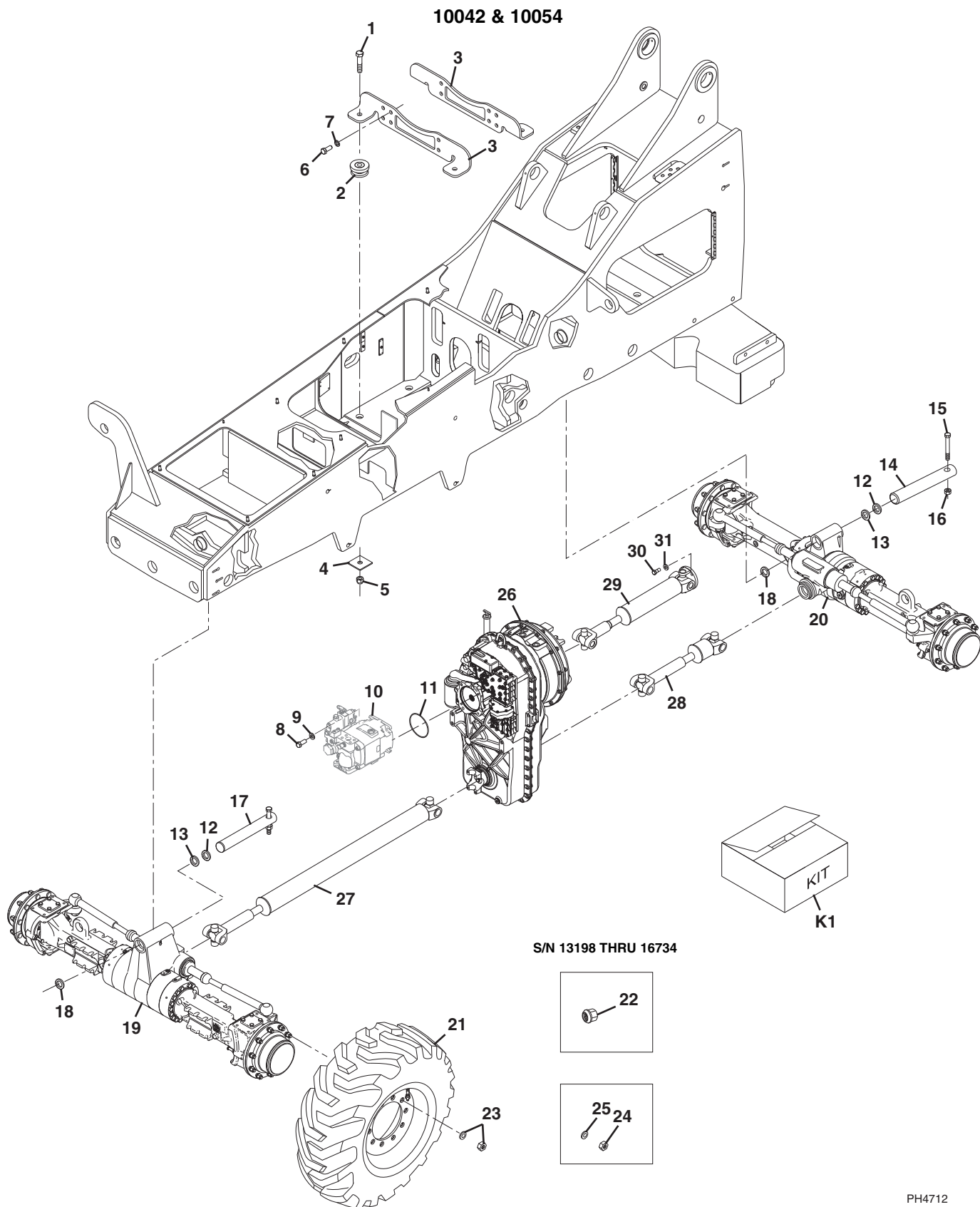




Figure 5-1 Drive Train Components

Item	Part Number	Qty.	Description	Rev.
1	8303724	4	HEX HD CAPSCREW, 0.75-10X3.5, (torque to 180-320 lb-ft)	
2	8278007	4	RUBBER MOUNT	
3	7138634	2	TRANSMISSION MOUNT BRACKET	
4	7054351	4	REBOUND WASHER	
5	8310067	4	LOCK NUT, 0.75-10	
6	8310215	8	HEX HD CAPSCREW, M16X2X40mm, PC8.8, (torque to 145-260 Nm)	
7	8307049	8	LOCKWASHER, M16	
8	8303519	4	HEX HD CAPSCREW, M12X1.75X35mm, PC8.8	
9	8310356	4	HARDENED WASHER, 12mm	
10		Ref	MAIN PUMP ASSY, (see Figure 9-8 for details)	
11	8630019	1	O-RING	
12	8307913	AR	SPACER, WASHER 0.12	
13	8307912	AR	SPACER, WASHER 0.06	
14	7079442	1	REAR AXLE PIVOT PIN, (see Figure 1-3 for Front Axle Pivot Pin), (10042 S/N 13198 thru 19987 & 0160002332 thru 0160018244), (10054 S/N 13198 thru 19987 & 0160002332 thru 0160018374)	
	3423254	1	REAR AXLE PIVOT PIN, (10042 S/N 0160018395 & After), (10054 S/N 0160018382 & After)	
15	0682036	1	HEX HD CAPSCREW, 5/8-11X4-1/2, (10042 S/N 13198 thru 19987 & 0160002332 thru 0160018244), (10054 S/N 13198 thru 19987 & 0160002332 thru 0160018374)	
	0642640	1	HEX HD CAPSCREW, 1-8X5, (10042 S/N 0160018395 & After), (10054 S/N 0160018382 & After)	
16	8305643	1	LOCKNUT, 5/8-11, (10042 S/N 13198 thru 19987 & 0160002332 thru 0160018244), (10054 S/N 13198 thru 19987 & 0160002332 thru 0160018374)	
	8310116	1	LOCKNUT, 1-8, (10042 S/N 0160018395 & After), (10054 S/N 0160018382 & After)	
17		Ref	FRONT AXLE PIVOT PIN, (see Figure 1-3 for details)	
18	8310259	AR	SPACER, WASHER 0.09	
19		Ref	FRONT AXLE, (see Figure 5-2 for details)	
20		Ref	REAR AXLE, (see Figure 5-10 for details)	
21		Ref	TIRE & RIM ASSY, (see Figure 5-34 for details)	
22	Use Kit K1	Ref	SPHERICAL COLLAR WHEEL NUT, (S/N 13198 thru 16734) , (no longer available, first time order use kit 7301738 to replace all one piece wheel nuts)	
23	8024035	40	FLANGE WHEEL NUT & SPHERICAL WASHER SERVICE KIT, (S/N 16735 thru 19987 & 0160002332 thru 0160038967)	
24	8786572	40	WHEEL NUT, (not required with Firestone 400/75-28), (10042 S/N 0160038368 & After excluding 0160038375, 0160038378, 0160038379, 0160038381, & 0160038383), (10054 S/N 0160038740 & After including 0160021270, 0160036713, 0160036715, 0160036721 & 0160036723)	
	91403193	40	WHEEL NUT, (if equipped with Firestone 400/75-28), (10042 S/N 0160038368 & After excluding 0160038375, 0160038378, 0160038379, 0160038381, & 0160038383), (10054 S/N 0160038740 & After including 0160021270, 0160036713, 0160036715, 0160036721 & 0160036723)	
25	8786573	40	SPRING WASHER, (not required with Firestone 400/75-28), (10042 S/N 0160038368 & After excluding 0160038375, 0160038378, 0160038379, 0160038381, & 0160038383), (10054 S/N 0160038740 & After including 0160021270, 0160036713, 0160036715, 0160036721 & 0160036723)	
26		Ref	ZF TRANSMISSION, (see Figure 5-18 for details)	
27		Ref	DRIVE SHAFT, (front axle), (see Figure 5-33 for details)	
28		Ref	DRIVE SHAFT, (rear axle), (see Figure 5-33 for details)	



DRIVE TRAIN

Figure 5-1 Drive Train Components (Continued)

Item	Part Number	Qty.	Description	Rev.
29		Ref	DRIVE SHAFT, (engine to transmission), (see Figure 5-33 for details)	
30	8310425	4	HEX HD CAPSCREW, 0.438-20X2.25	
31	8307006	4	LOCKWASHER, 0.438	
K1	7301738	4	WHEEL NUT KIT, (S/N 16735 thru 19987 & 0160002332 thru 0160038967), (single wheel replacement), (includes 10 flange wheel nuts & 10 spherical washers)	

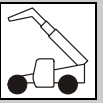


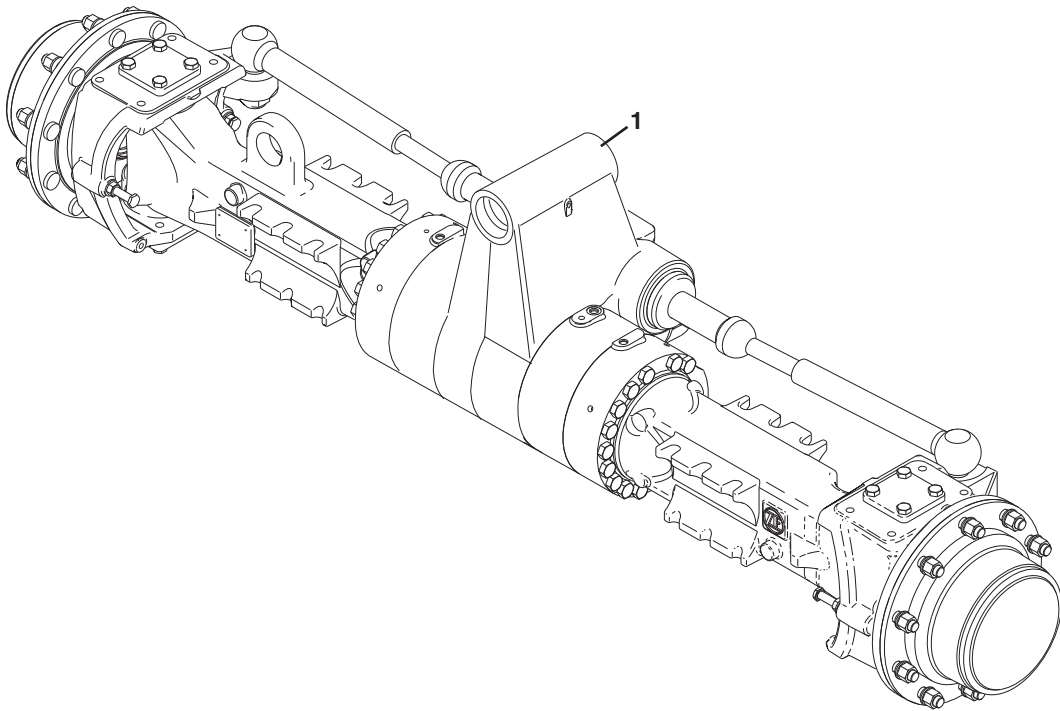
Figure 5-1 Drive Train Components (Continued)

Item	Part Number	Qty.	Description	Rev.



DRIVE TRAIN

Figure 5-2 Front Axle



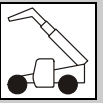


Figure 5-2 Front Axle

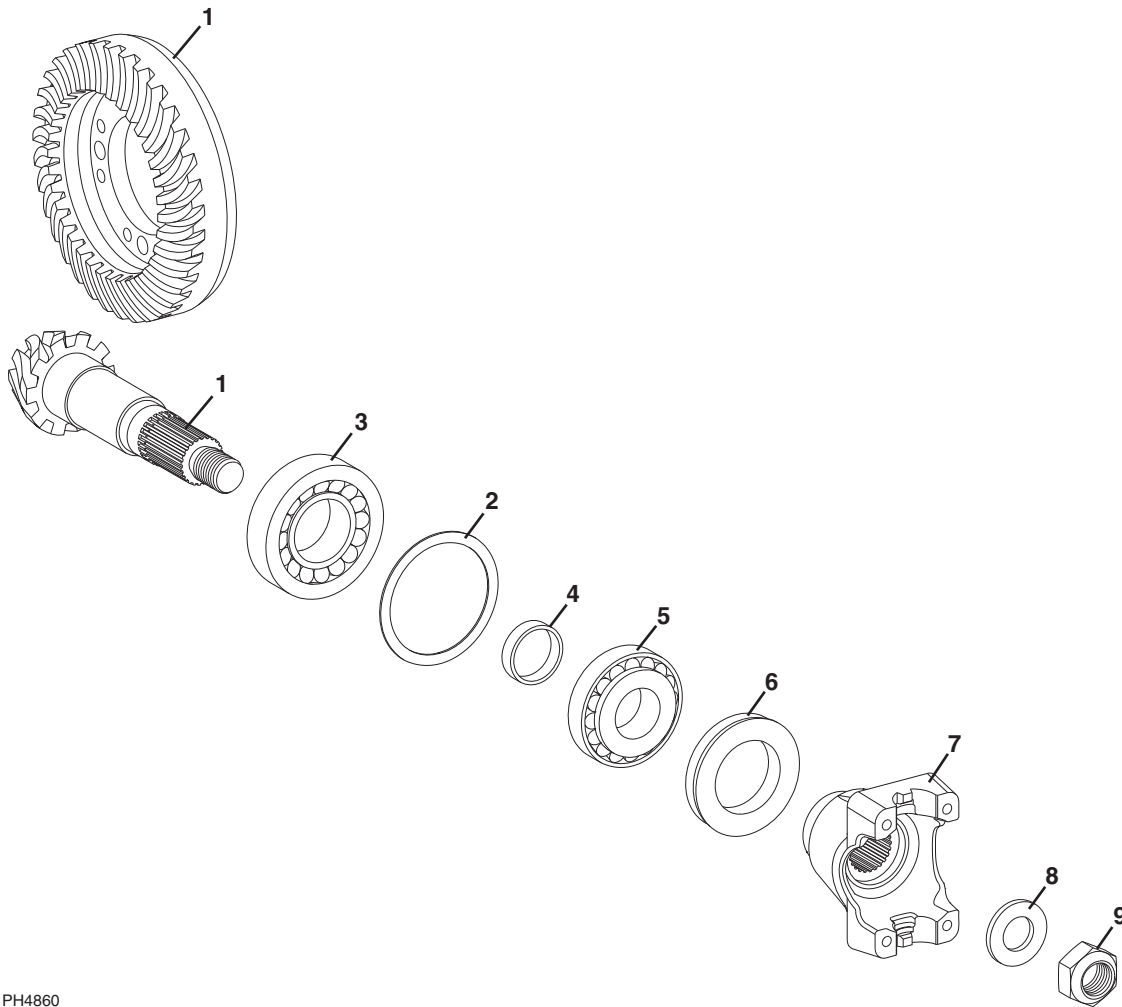
Item	Part Number	Qty.	Description	Rev.
1	8040263	1	FRONT AXLE, (8042 Before S/N 0160038967 including 0160038971 & 0160038984)	
	1001103628	1	FRONT AXLE, (8042 S/N 0160038967 & After excluding 0160038971 & 0160038984)	
	8040271	1	FRONT AXLE, (10042 Before S/N 0160038368 including 0160038375, 0160038378, 0160038379, 0160038381 & 0160038383), (10054 Before S/N 0160038740 excluding 0160021270, 0160036713, 0160036715, 0160036721 & 0160036723)	
	1001103629	1	FRONT AXLE, (10042 S/N 0160038368 & After excluding 0160038375, 0160038378, 0160038379, 0160038381 & 0160038383), (10054 S/N 0160038740 & After including 0160021270, 0160036713, 0160036715, 0160036721 & 0160036723)	
		Ref	INPUT, (see Figure 5-3 for details)	
		Ref	LIMITED SLIP DIFFERENTIAL, (see Figure 5-4 for details)	
		Ref	AXLE CASING, (see Figure 5-5 for details)	
		Ref	M-DISC BRAKE, (see Figure 5-6 for details)	
		Ref	BRAKE, (see Figure 5-7 for details)	
		Ref	JOINT HOUSING, (see Figure 5-8 for details)	
		Ref	PLANETARY DRIVE, (see Figure 5-9 for details)	



DRIVE TRAIN

8042 Before S/N 0160038967 including 0160038971 & 0160038984
10042 Before S/N 0160038368 including 0160038375, 0160038378,
0160038379, 0160038381 & 0160038383
10054 Before S/N 0160038740 excluding 0160021270, 0160036713,
0160036715, 0160036721 & 0160036723

Figure 5-3 Front Axle - Input



PH4860

8042 Before S/N 0160038967 including 0160038971 & 0160038984
 10042 Before S/N 0160038368 including 0160038375, 0160038378,
 0160038379, 0160038381 & 0160038383
 10054 Before S/N 0160038740 excluding 0160021270, 0160036713,
 0160036715, 0160036721 & 0160036723

DRIVE TRAIN

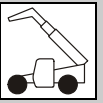


Figure 5-3 Front Axle - Input

Item	Part Number	Qty.	Description	Rev.
1	1321230	1	BEVEL GEAR SET	
2	1321187	1	SHIM, S=1.5	
	8035871	1	SHIM, S=0.9	
	8035872	1	SHIM, S=0.95	
	8035873	1	SHIM, S=1.0	
	1321186	1	SHIM, S=1.05	
	8035874	1	SHIM, S=1.1	
	8035875	1	SHIM, S=1.15	
	1321185	1	SHIM, S=1.2	
	8035876	1	SHIM, S=1.25	
	8035877	1	SHIM, S=1.3	
	1321189	1	SHIM, S=0.7	
	8035878	1	SHIM, S=0.75	
	8035879	1	SHIM, S=0.8	
	1321190	1	SHIM, S=0.85	
3	1321213	1	ROLLER BEARING	
4	8035881	1	RING, S=11.30	
	8035882	1	RING, S=11.33	
	8035883	1	RING, S=11.36	
	8035884	1	RING, S=11.39	
	8035885	1	RING, S=11.42	
	8035886	1	RING, S=11.45	
	1321196	1	RING, S=11.48	
	8035887	1	RING, S=11.51	
	8035888	1	RING, S=11.54	
	8035889	1	RING, S=11.57	
	8035890	1	RING, S=11.60	
	8035891	1	RING, S=11.63	
	1321197	1	RING, S=11.66	
	8035892	1	RING, S=11.69	
	8035893	1	RING, S=11.72	
	8035894	1	RING, S=11.75	
	8035895	1	RING, S=11.78	
	8035896	1	RING, S=11.81	
	1321198	1	RING, S=11.84	
	8035897	1	RING, S=11.87	
	8035898	1	RING, S=11.90	
	8035899	1	RING, S=11.93	
	8035900	1	RING, S=11.96	
	8035901	1	RING, S=11.99	
	8035902	1	RING, S=12.02	
	1321199	1	RING, S=12.05	
	8035903	1	RING, S=12.08	
	8035904	1	RING, S=12.11	
	8035905	1	RING, S=12.14	
	8035906	1	RING, S=12.17	
	8036841	1	RING, S=12.20	
	8035907	1	RING, S=12.23	
	8035908	1	RING, S=12.26	



DRIVE TRAIN

8042 Before S/N 0160038967 including 0160038971 & 0160038984
 10042 Before S/N 0160038368 including 0160038375, 0160038378,
 0160038379, 0160038381 & 0160038383
 10054 Before S/N 0160038740 excluding 0160021270, 0160036713,
 0160036715, 0160036721 & 0160036723

Figure 5-3 Front Axle - Input (Continued)

Item	Part Number	Qty.	Description	Rev.
	8035909	1	RING, S=12.29	
	8035910	1	RING, S=12.32	
	8035911	1	RING, S=12.35	
	1321201	1	RING, S=12.38	
	8035912	1	RING, S=11.27	
	1321204	1	RING, S=11.24	
	8035913	1	RING, S=11.21	
	8035914	1	RING, S=11.18	
	8035915	1	RING, S=11.15	
	8035916	1	RING, S=11.12	
	1321203	1	RING, S=11.09	
	8035917	1	RING, S=11.06	
	8035918	1	RING, S=11.03	
	8035919	1	RING, S=11.00	
	8035920	1	RING, S=10.97	
	1321202	1	RING, S=10.94	
5	1321212	1	ROLLER BEARING	
6	1321210	1	COMBINATION RING	
7	1321248	1	END YOKE	
8	1321194	1	WASHER	
9	8035921	1	HEX NUT	

8042 Before S/N 0160038967 including 0160038971 & 0160038984
 10042 Before S/N 0160038368 including 0160038375, 0160038378,
 0160038379, 0160038381 & 0160038383
 10054 Before S/N 0160038740 excluding 0160021270, 0160036713,
 0160036715, 0160036721 & 0160036723

DRIVE TRAIN

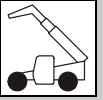


Figure 5-3 Front Axle - Input (Continued)

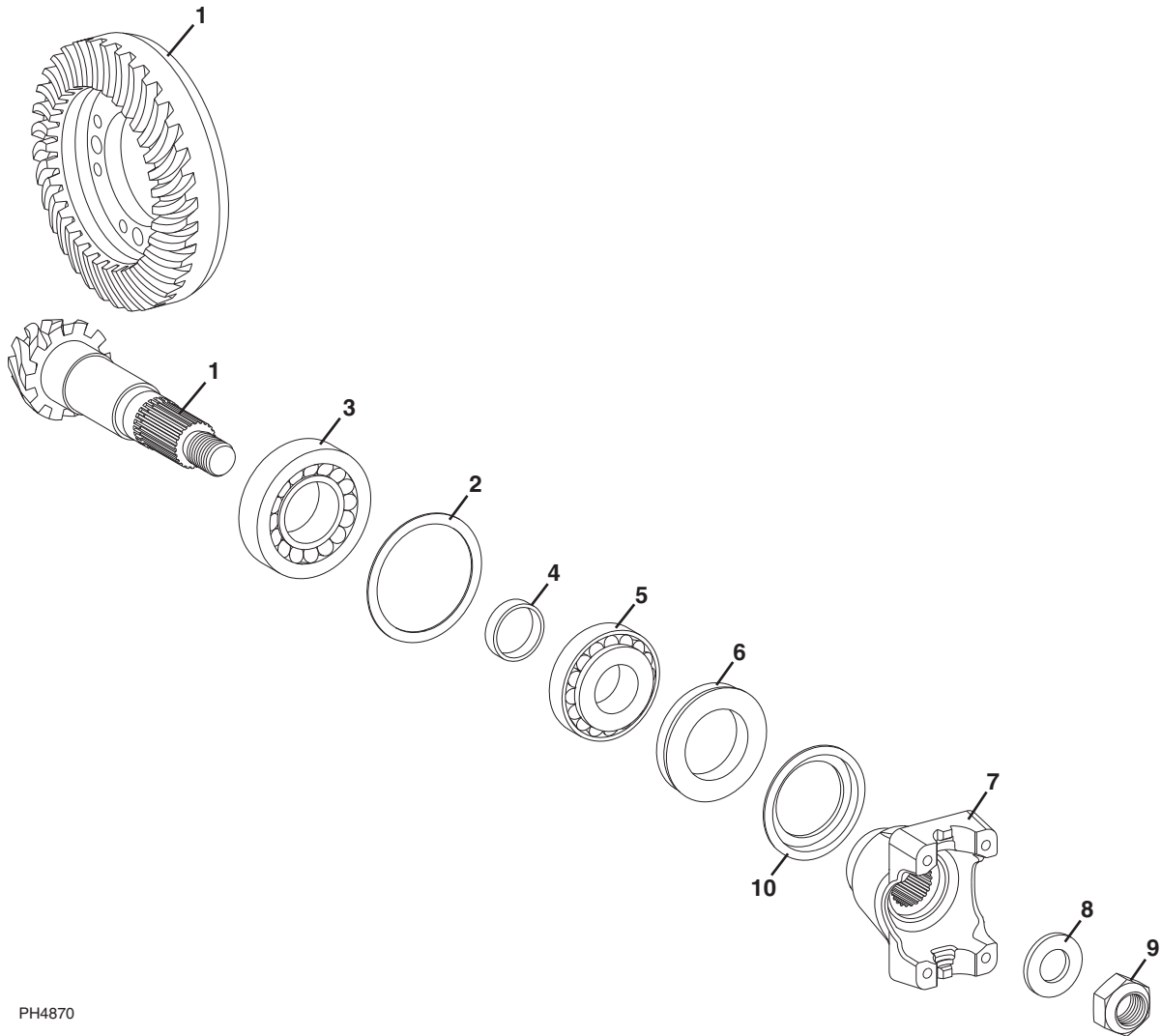
Item	Part Number	Qty.	Description	Rev.



DRIVE TRAIN

8042 S/N 0160038967 & After excluding 0160038971 & 0160038984
10042 S/N 0160038368 & After excluding 0160038375, 0160038378,
0160038379, 0160038381 & 0160038383
10054 S/N 0160038740 & After including 0160021270, 0160036713,
0160036715, 0160036721 & 0160036723

Figure 5-3 Front Axle - Input



PH4870

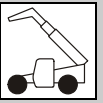


Figure 5-3 Front Axle - Input

Item	Part Number	Qty.	Description	Rev.
1	70022232	1	BEVEL GEAR SET, (8042 only)	
	70022272	1	BEVEL GEAR SET, (10042 & 10054 only)	
2	80304160	1	SHIM, S=0.1	
	80304159	1	SHIM, S=0.2	
	80304158	1	SHIM, S=0.3	
	80304157	1	SHIM, S=0.5	
	80304156	1	SHIM, S=0.6	
	80304162	1	SHIM, S=0.65	
	80304155	1	SHIM, S=0.7	
	80304161	1	SHIM, S=0.75	
	80304154	1	SHIM, S=0.8	
	80304153	1	SHIM, S=0.9	
	80304152	1	SHIM, S=1.0	
	80304146	1	SHIM, S=1.2	
	80304163	1	SHIM, S=1.25	
	80304151	1	SHIM, S=1.3	
	80304164	1	SHIM, S=1.35	
	80304150	1	SHIM, S=1.4	
	80304165	1	SHIM, S=1.45	
	80304145	1	SHIM, S=1.5	
	80304166	1	SHIM, S=1.55	
	80304149	1	SHIM, S=1.6	
	80304167	1	SHIM, S=1.65	
	80304148	1	SHIM, S=1.7	
	80304168	1	SHIM, S=1.75	
	80304144	1	SHIM, S=1.8	
	80304169	1	SHIM, S=1.85	
	80304147	1	SHIM, S=1.9	
80304143	1	SHIM, S=2.0		
3	70022231	1	ROLLER BEARING	
4	80304088	1	RING, S=16.0	
	80304089	1	RING, S=16.1	
	80304090	1	RING, S=16.2	
	80304091	1	RING, S=16.3	
	80304092	1	RING, S=16.4	
	80304093	1	RING, S=16.5	
	80304110	1	RING, S=16.56	
	80304094	1	RING, S=16.6	
	80304111	1	RING, S=16.62	
	80304112	1	RING, S=16.64	
	80304124	1	RING, S=16.66	
	80304113	1	RING, S=16.68	
	80304095	1	RING, S=16.7	
	70022216	1	RING, S=16.72	
	80304115	1	RING, S=16.74	
	80304117	1	RING, S=16.76	
80304118	1	RING, S=16.78		
80304096	1	RING, S=16.8		
80304119	1	RING, S=16.82		



DRIVE TRAIN

8042 S/N 0160038967 & After excluding 0160038971 & 0160038984
 10042 S/N 0160038368 & After excluding 0160038375, 0160038378,
 0160038379, 0160038381 & 0160038383
 10054 S/N 0160038740 & After including 0160021270, 0160036713,
 0160036715, 0160036721 & 0160036723

Figure 5-3 Front Axle - Input (Continued)

Item	Part Number	Qty.	Description	Rev.
	80304120	1	RING, S=16.84	
	80304104	1	RING, S=16.86	
	80304121	1	RING, S=16.88	
	80304122	1	RING, S=16.9	
	80304097	1	RING, S=16.92	
	80304123	1	RING, S=16.94	
	80304125	1	RING, S=16.96	
	80304107	1	RING, S=16.98	
	80304126	1	RING, S=17.0	
	80304127	1	RING, S=17.02	
	80304108	1	RING, S=17.04	
	80304128	1	RING, S=17.06	
	80304129	1	RING, S=17.08	
	80304099	1	RING, S=17.10	
	80304130	1	RING, S=17.12	
	80304131	1	RING, S=17.14	
	80304132	1	RING, S=17.16	
	80304133	1	RING, S=17.18	
	80304100	1	RING, S=17.2	
	80304134	1	RING, S=17.22	
	80304135	1	RING, S=17.24	
	80304136	1	RING, S=17.26	
	80304137	1	RING, S=17.28	
	80304101	1	RING, S=17.3	
	80304102	1	RING, S=17.4	
5	1319353	1	ROLLER BEARING	
6	70022220	1	SHAFT SEAL	
7	70022245	1	END YOKE	
8	80304082	1	WASHER	
9	70022213	1	HEX NUT	
10	70022244	1	SCREEN SHEET	

8042 S/N 0160038967 & After excluding 0160038971 & 0160038984
10042 S/N 0160038368 & After excluding 0160038375, 0160038378,
0160038379, 0160038381 & 0160038383
10054 S/N 0160038740 & After including 0160021270, 0160036713,
0160036715, 0160036721 & 0160036723

DRIVE TRAIN

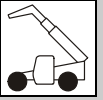
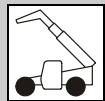


Figure 5-3 Front Axle - Input (Continued)

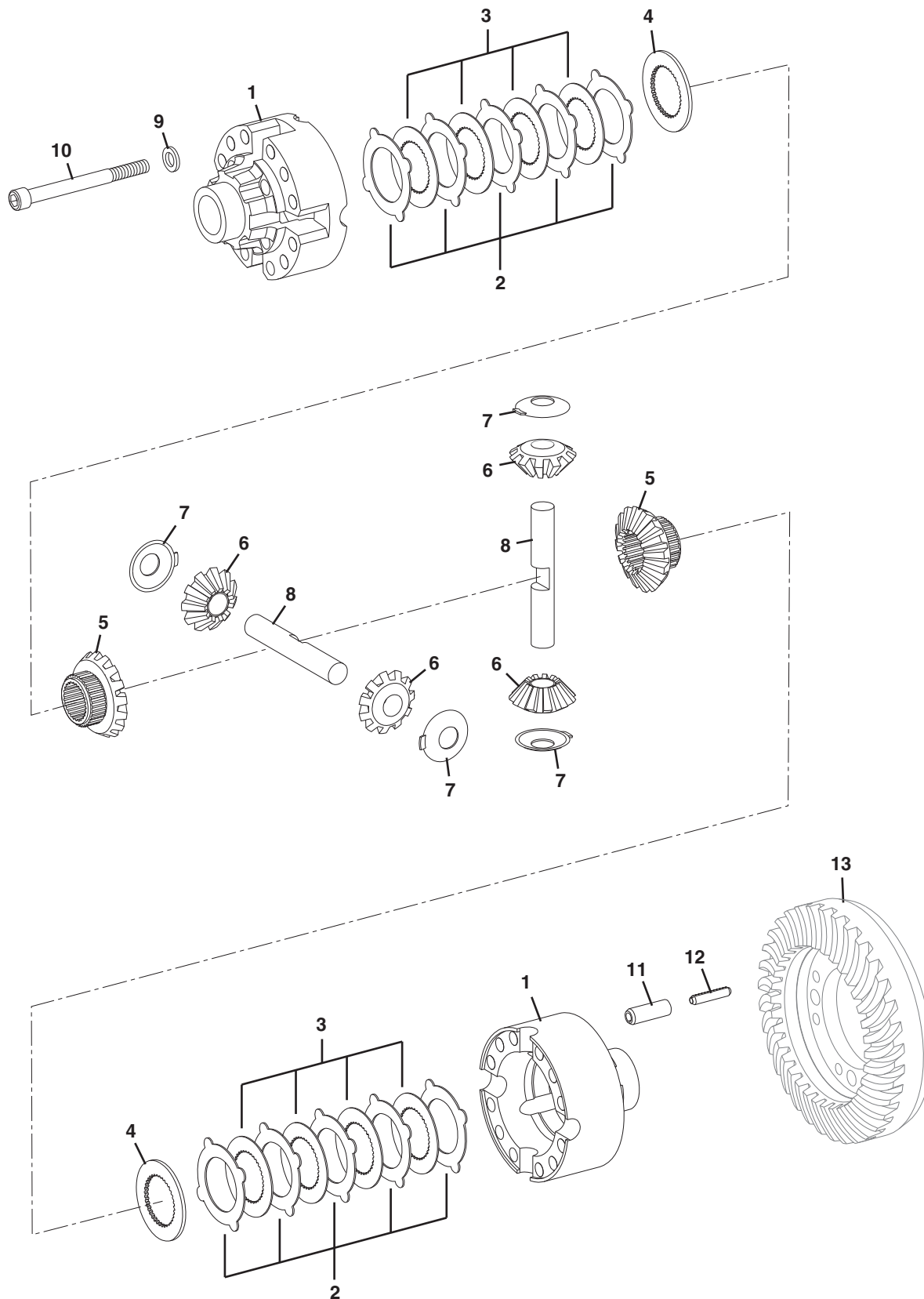
Item	Part Number	Qty.	Description	Rev.



DRIVE TRAIN

8042 Before S/N 0160038967 including 0160038971 & 0160038984
10042 Before S/N 0160038368 including 0160038375, 0160038378,
0160038379, 0160038381 & 0160038383
10054 Before S/N 0160038740 excluding 0160021270, 0160036713,
0160036715, 0160036721 & 0160036723

Figure 5-4 Front Axle - Limited Slip Differential



8042 Before S/N 0160038967 including 0160038971 & 0160038984
 10042 Before S/N 0160038368 including 0160038375, 0160038378,
 0160038379, 0160038381 & 0160038383
 10054 Before S/N 0160038740 excluding 0160021270, 0160036713,
 0160036715, 0160036721 & 0160036723

DRIVE TRAIN

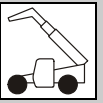


Figure 5-4 Front Axle - Limited Slip Differential

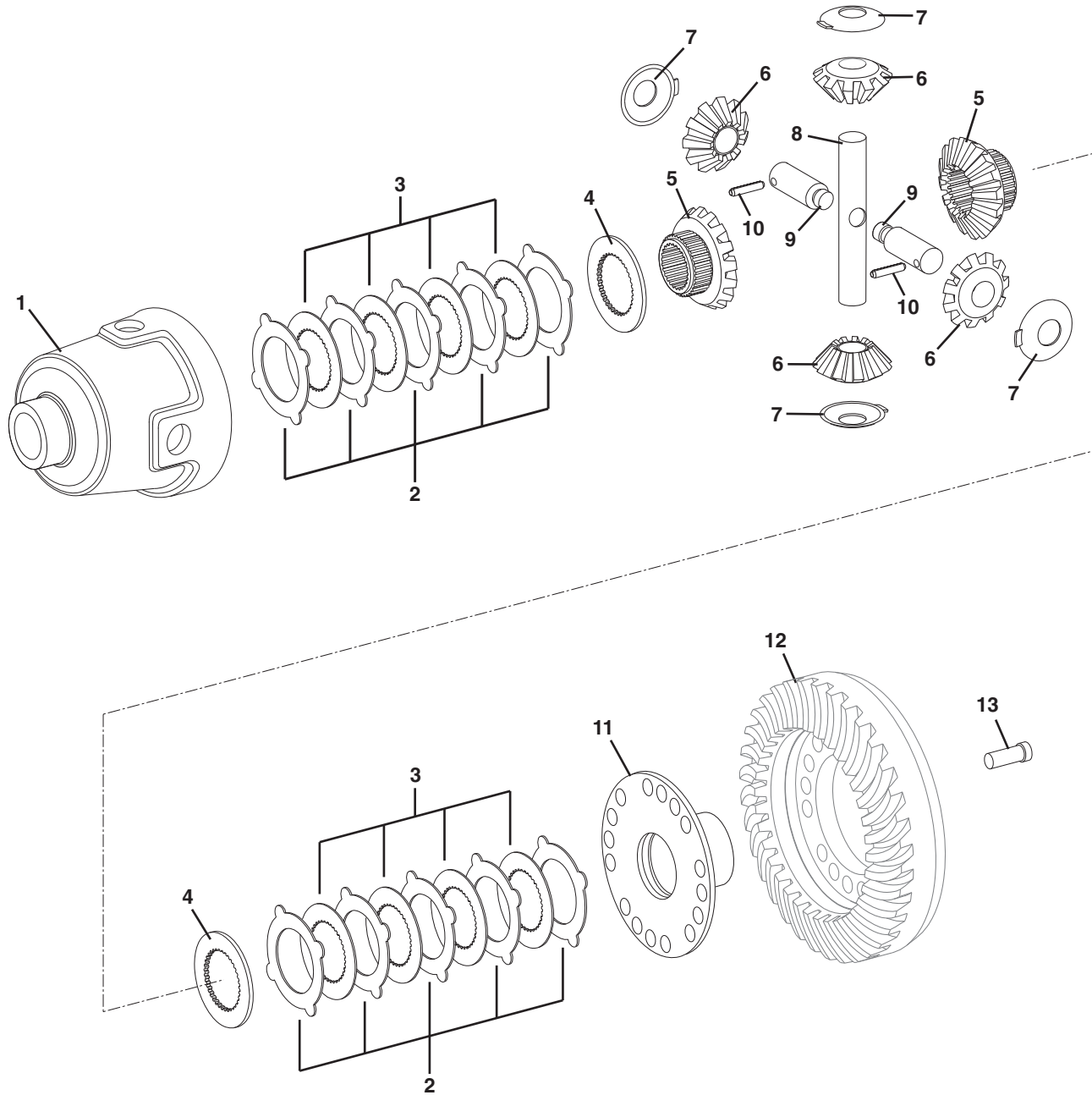
Item	Part Number	Qty.	Description	Rev.
1	1321215	1	DIFFERENTIAL CASE	
2	1321219	10	O. CLUTCH DISC, A=1.2	
	1321220	10	O. CLUTCH DISC, A=1.3	
	1321221	10	O. CLUTCH DISC, A=1.4	
3	1321218	8	I. CLUTCH DISC	
4	1321217	2	PRESSURE DISC	
5	8036842	2	AXLE BEVEL GEAR	
6	1319414	4	DIFFERENTIAL BEVEL GEAR	
7	1319415	4	THRUST WASHER	
8	1321225	2	DIFFERENTIAL AXLE	
9	1321184	12	WASHER	
10	8035923	12	CAPSCREW	
11	1321153	4	SLOTTED PIN	
12	1321154	4	LOCK PIN	
13		Ref	BEVEL GEAR SET, (see Figure 5-3 for details)	



DRIVE TRAIN

8042 S/N 0160038967 & After excluding 0160038971 & 0160038984
10042 S/N 0160038368 & After excluding 0160038375, 0160038378,
0160038379, 0160038381 & 0160038383
10054 S/N 0160038740 & After including 0160021270, 0160036713,
0160036715, 0160036721 & 0160036723

Figure 5-4 Front Axle - Limited Slip Differential



PA3301

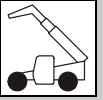
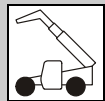


Figure 5-4 Front Axle - Limited Slip Differential

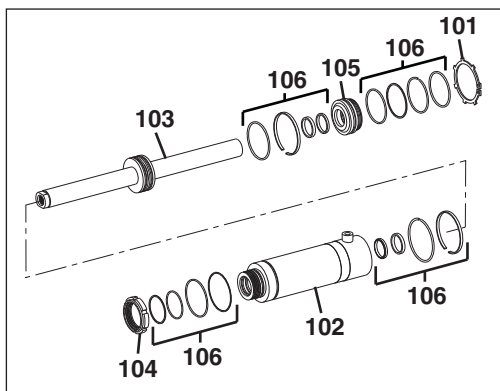
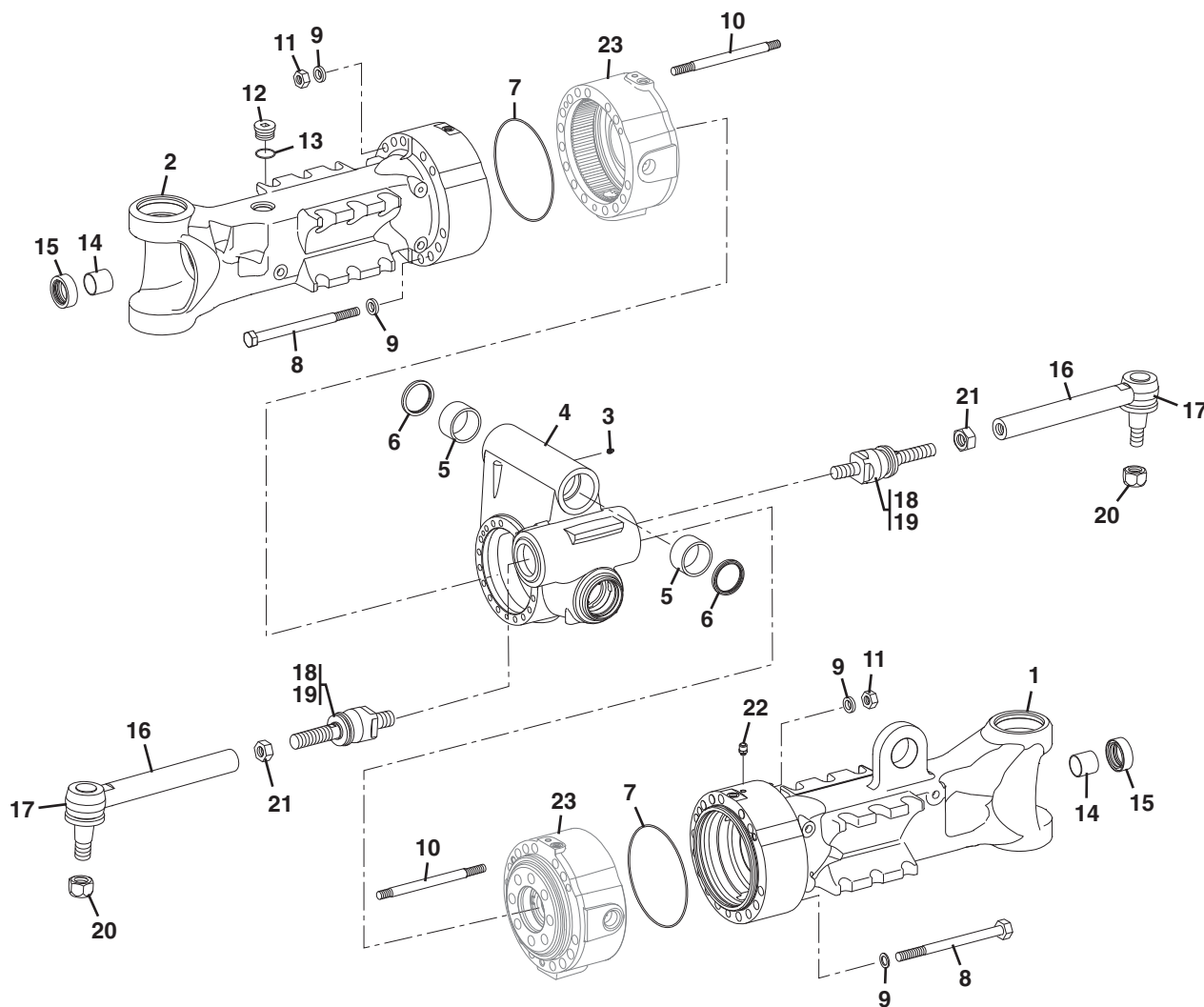
Item	Part Number	Qty.	Description	Rev.
1	70022226	Ref	DIFFERENTIAL CASE, (no longer available, Before Axle S/N 2022732 must replace with both 70023910 differential case and qty 2 of 70023904 slotted pins)	
	70023910	1	DIFFERENTIAL CASE, (Axle S/N 2022732 & After)	
2	70022263	10	O.CLUTCH DISC, A=1.2	
	70022264	10	O.CLUTCH DISC, A=1.3	
3	70022260	8	I.CLUTCH DISC	
4	70022261	2	PRESSURE DISC	
5	70022225	2	AXLE BEVEL GEAR	
6	70022185	4	DIFFERENTIAL BEVEL GEAR	
7	70022262	4	THRUST WASHER	
8	70022227	1	DIFFERENTIAL AXLE	
9	70022228	2	DIFFERENTIAL AXLE	
10	70022200	2	SLOTTED PIN, (no longer available, Before Axle S/N 2022732 must replace with both 70023910 differential case and qty 2 of 70023904 slotted pins)	
	70023904	2	SLOTTED PIN, (Axle S/N 2022732 & After)	
11	70022229	1	COVER	
12		Ref	BEVEL GEAR SET, (see Figure 5-3 for details)	
13	70022211	16	CAP SCREW, M12X1.5X35	



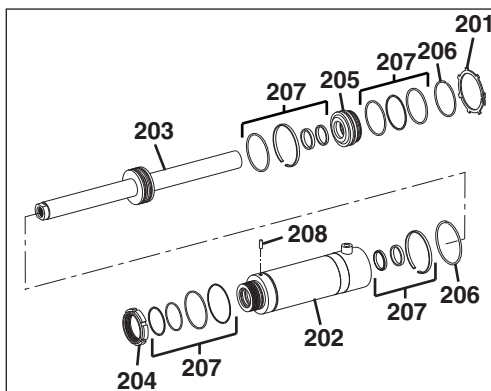
DRIVE TRAIN

8042 Before S/N 0160038967 including 0160038971 & 0160038984
 10042 Before S/N 0160038368 including 0160038375, 0160038378,
 0160038379, 0160038381 & 0160038383
 10054 Before S/N 0160038740 excluding 0160021270, 0160036713,
 0160036715, 0160036721 & 0160036723

Figure 5-5 Front Axle - Axle Casing



8042 BEFORE AXLE S/N 828785
 10042 BEFORE AXLE S/N 1285172
 10054 BEFORE AXLE S/N 1285172



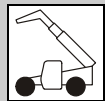
8042 AXLE S/N 828785 & AFTER
 10042 AXLE S/N 1285172 & AFTER
 10054 AXLE S/N 1285172 & AFTER

PH3573



Figure 5-5 Front Axle - Axle Casing

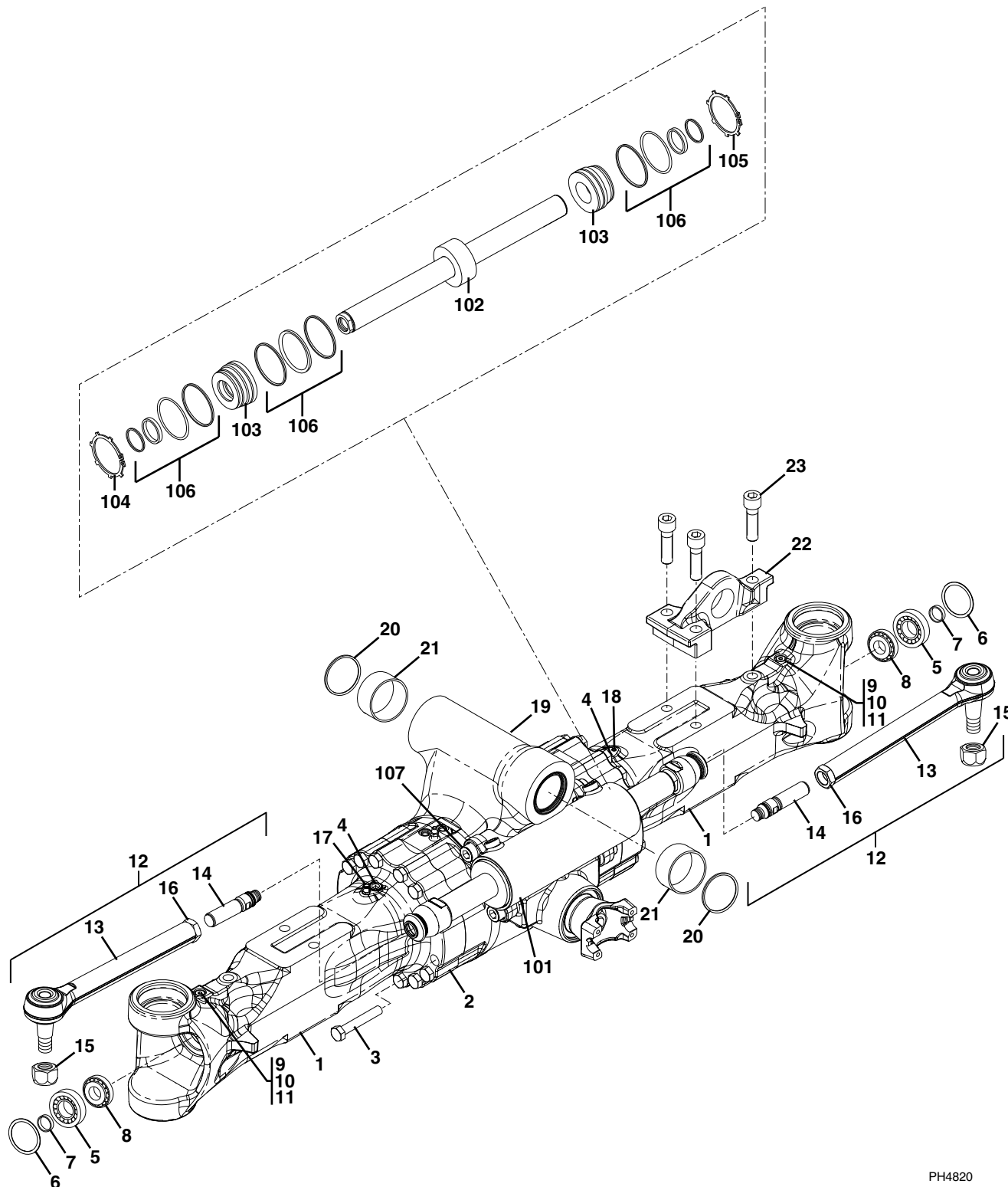
Item	Part Number	Qty.	Description	Rev.
1	8035924	1	RIGHT AXLE CASING	
2	8035925	1	LEFT AXLE CASING	
3	1319423	1	LUBRICATION NIPPLE	
4	1321253	1	AXLE DRIVE HOUSING	
5	1321234	2	BUSHING	
6	1321209	2	SEAL	
7	1319425	2	O-RING	
8	8035927	22	HEX SCREW	
9	8036312	30	WASHER	
10	8036313	6	STUD	
11	1319429	6	HEX NUT	
12	1319506	1	SCREW PLUG	
13	8036331	2	O-RING	
14	1319433	2	BUSHING	
15	7027211	2	SHAFT SEAL	
16	1321148	2	ROD TRACK, (including items 17 thru 21)	
17	8036756	2	BALL JOINT	
18	8036757	2	AXLE JOINT, (includes item 19)	
19	7029418	2	SEAL	
20	8036758	2	LOCKNUT	
21	8036759	2	HEX NUT	
22	1319436	1	BREATHER	
23		Ref	BRAKE HOUSING, (see Figure 5-6 for details)	
	1321149	Ref	STEERING CYLINDER, (8042 Axle Before S/N 828785, 10042 Axle Before S/N 1285172, 10054 Axle Before S/N 1285172), (includes items 101 thru 106), (no longer available, use 70021617 for replacement)	
	70021617	1	STEERING CYLINDER, (8042 Axle S/N 828785 & After, 10042 Axle S/N 1285172 & After, 10054 Axle S/N 1285172 & After), (includes items 201 thru 208)	
101	8035978	Ref	L-RING, (no longer available, use 70021617 for replacement)	
102	8036440	Ref	TUBE WELDMENT, (no longer available, use 70021617 for replacement)	
103	8036439	Ref	PISTON ROD, (no longer available, use 70021617 for replacement)	
104	8035998	1	SLOTTED NUT	
105	8035980	Ref	GUIDE PIECE, (no longer available, use 70021617 for replacement)	
106	8035981	1	SEAL KIT	
201	70021571	1	L-RING	
202	NSS	1	CYLINDER TUBE	
203	70021568	1	PISTON ROD	
204	70021570	1	SLOTTED NUT	
205	70021569	1	GUIDE PIECE	
206	70021726	2	RETAINING RING	
207	70021495	1	SEAL KIT	
208	70022610	1	SLOTTED PIN	



DRIVE TRAIN

8042 S/N 0160038967 & After excluding 0160038971 & 0160038984
10042 S/N 0160038368 & After excluding 0160038375, 0160038378,
0160038379, 0160038381 & 0160038383
10054 S/N 0160038740 & After including 0160021270, 0160036713,
0160036715, 0160036721 & 0160036723

Figure 5-5 Front Axle - Axle Casing



PH4820

8042 S/N 0160038967 & After excluding 0160038971 & 0160038984
 10042 S/N 0160038368 & After excluding 0160038375, 0160038378,
 0160038379, 0160038381 & 0160038383
 10054 S/N 0160038740 & After including 0160021270, 0160036713,
 0160036715, 0160036721 & 0160036723

DRIVE TRAIN

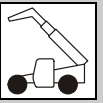


Figure 5-5 Front Axle - Axle Casing

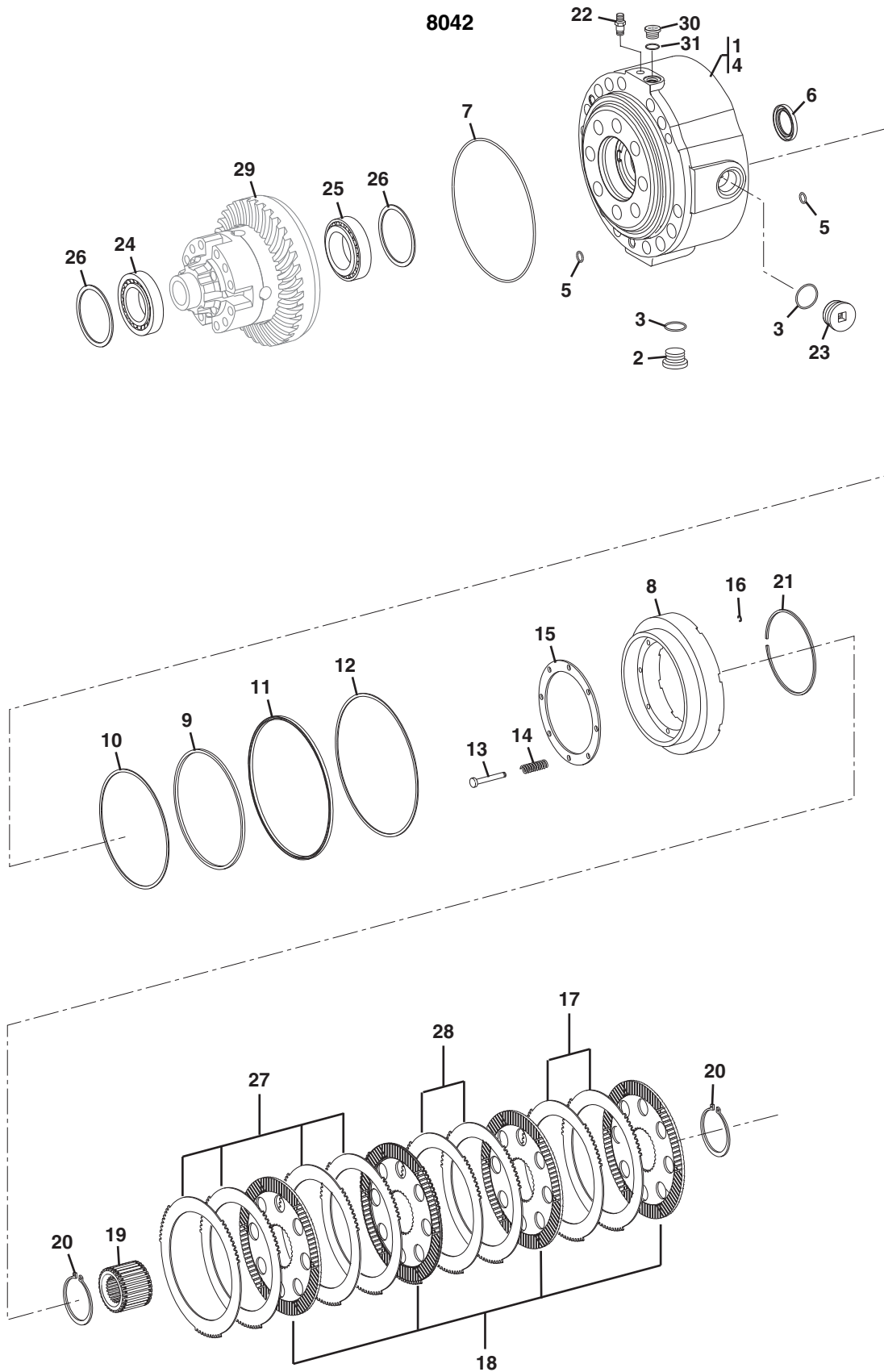
Item	Part Number	Qty.	Description	Rev.
1	70022255	2	AXLE CASING	
2	70022277	1	AXLE DRIVE HOUSING	
3	70022206	28	HEX HD CAPSCREW, M18X180	
4	1319578	4	SCREW PLUG	
5	70022241	2	BUSHING	
6	70022204	2	O-RING	
7	70022217	2	RING	
8	10731790	2	BEARING	
9	70022201	2	SET SCREW, M10X1X16	
10	1319666	2	SCREW PLUG	
11	7027217	2	O-RING	
12	70022174	2	TIE ROD, (includes items 13 thru 16)	
13	70022175	1	BALL JOINT	
14	70022172	1	AXIAL JOINT	
15	8036758	1	LOCKNUT	
16	8036759	1	HEX NUT	
17	1319436	1	BREATHER	
18	8036418	1	SCREW PLUG	
19	1319423	1	GREASE FITTING	
20	1321234	2	BUSHING	
21	1321209	2	SHAFT SEAL	
22	70022254	1	BRACKET	
23	1001103619	3	HEX HD CAPSCREW, M22X1.5X80	
101	70022173	1	STEERING CYLINDER, (includes items 102 thru 106)	
102	70022177	1	PISTON ROD	
103	70022184	2	BREAK HEAD	
104	70022181	2	RETAINING RING	
105	70022180	2	RETAINING RING	
106	70022178	1	SEAL KIT	
107	70022210	4	CAPSCREW, M22X1.5X55	



DRIVE TRAIN

8042 Before S/N 0160038967 including 0160038971 & 0160038984

Figure 5-6 Front Axle - M-Disc Brake



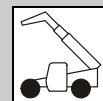


Figure 5-6 Front Axle - M-Disc Brake

Item	Part Number	Qty.	Description	Rev.
1	NLA	Ref	BRAKE HOUSING, (right side), (Before Axle S/N 675668) , (see note N1)	
	70020483	1	BRAKE HOUSING, (right side), (Axle S/N 675668 & After)	
2	1319431	2	SCREW PLUG	
3	8036331	4	O-RING	
4	NLA	Ref	BRAKE HOUSING, (left side), (Before Axle S/N 675668) , (see note N1)	
	70020484	1	BRAKE HOUSING, (left side), (Axle S/N 675668 & After)	
5	1319491	12	O-RING	
6	8036444	2	SHAFT SEAL	
7	1319425	2	O-RING	
8	8036304	2	PISTON	
9	1321162	2	U-RING	
10	1321151	2	SUPPORT RING	
11	1321163	2	U-RING	
12	1321152	2	SUPPORT RING	
13	1319496	16	PIN	
14	1319497	16	COMPRESSION SPRING	
15	8036305	2	WASHER	
16	1319499	16	CRESCENT RING	
17	1319500	4	O. CLUTCH DISC, S=2, (Before Axle S/N 675668)	
	70020485	4	O. CLUTCH DISC, S=2, (Axle S/N 675668 & After)	
	1319501	4	O. CLUTCH DISC, S=2.5, (Before Axle S/N 675668)	
	70020486	4	O. CLUTCH DISC, S=2.5, (Axle S/N 675668 & After)	
	1319502	4	O. CLUTCH DISC, S=3, (Before Axle S/N 675668)	
	70020487	4	O. CLUTCH DISC, S=3, (Axle S/N 675668 & After)	
18	1321150	8	I. CLUTCH DISC, (Before Axle S/N 823842)	
	70020408	3	I. CLUTCH DISC, (Axle S/N 823842 & After)	
19	1321174	2	DISC CARRIER, (Before Axle S/N 823842)	
	70020409	1	DISC CARRIER, (Axle S/N 823842 & After)	
20	10731949	4	RETAINING RING	
21	1319504	2	SNAP RING	
22	1319505	2	BREATHER	
23	1319506	2	SCREW PLUG	
24	8036445	1	TA ROLLER BEARING	
25	8036447	1	ROLLER BEARING	
26	1319531	2	SHIM, A=0.10	
	8035945	2	SHIM, A=0.15	
	1319530	2	SHIM, A=0.20	
	8035946	2	SHIM, A=0.25	
	1319529	2	SHIM, A=0.30	
	8035947	2	SHIM, A=0.35	
	8035951	2	SHIM, A=0.40	
	1319543	2	SHIM, A=0.45	
	1319527	2	SHIM, A=0.50	
	1321158	2	SHIM, A=0.55	
	1319526	2	SHIM, A=0.60	
	1319532	2	SHIM, A=0.65	
	1319533	2	SHIM, A=0.70	
	1319534	2	SHIM, A=0.75	
	1319525	2	SHIM, A=0.80	



DRIVE TRAIN

8042 Before S/N 0160038967 including 0160038971 &
0160038984

Figure 5-6 Front Axle - M-Disc Brake (Continued)

Item	Part Number	Qty.	Description	Rev.
	1319535	2	SHIM, A=0.85	
	1319536	2	SHIM, A=0.90	
	1319537	2	SHIM, A=0.95	
	1319524	2	SHIM, A=1.00	
	1319545	2	SHIM, A=1.05	
	1319538	2	SHIM, A=1.10	
	1319539	2	SHIM, A=1.15	
	1319523	2	SHIM, A=1.20	
	1319540	2	SHIM, A=1.25	
	1319541	2	SHIM, A=1.30	
	1319542	2	SHIM, A=1.35	
	1319522	2	SHIM, A=1.40	
	1319521	2	SHIM, A=1.45	
	1319520	2	SHIM, A=1.50	
	1319519	2	SHIM, A=1.55	
	1319518	2	SHIM, A=1.60	
	1319517	2	SHIM, A=1.65	
	1319510	2	SHIM, A=2.00	
	1321159	2	SHIM, A=1.47	
	8035948	2	SHIM, A=1.63	
	1319516	2	SHIM, A=1.70	
	1319515	2	SHIM, A=1.75	
	1319514	2	SHIM, A=1.80	
	1319513	2	SHIM, A=1.85	
	1319512	2	SHIM, A=1.90	
	1319511	2	SHIM, A=1.95	
27	1319502	8	O. CLUTCH DISC, S=3, (Before Axle S/N 675668)	
	70020487	8	O. CLUTCH DISC, S=3, (Axle S/N 675668 & After)	
28	1319501	4	O. CLUTCH DISC, S=2.5, (Before Axle S/N 675668)	
	70020486	4	O. CLUTCH DISC, S=2.5, (Axle S/N 675668 & After)	
29		Ref	BEVEL GEAR SET, (see Figure 5-3 for details)	
30	1319666	2	SCREW PLUG	
31	7027217	2	O-RING	
N1	Note	Ref	PARTS ARE NO LONGER AVAILABLE; ORDER BRAKE HOUSINGS 70020483 & 70020484, QUANTITY REQUIRED OF OUTER DISCS 70020485, 70020486 & 70020487, QUANTITY 2 OF 70020413 END PLATES	

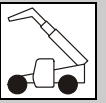


Figure 5-6 Front Axle - M-Disc Brake (Continued)

Item	Part Number	Qty.	Description	Rev.



DRIVE TRAIN

10042 Before S/N 0160038368 including 0160038375, 0160038378, 0160038379, 0160038381 & 0160038383
10054 Before S/N 0160038740 excluding 0160021270, 0160036713, 0160036715, 0160036721 & 0160036723

Figure 5-6 Front Axle - M-Disc Brake

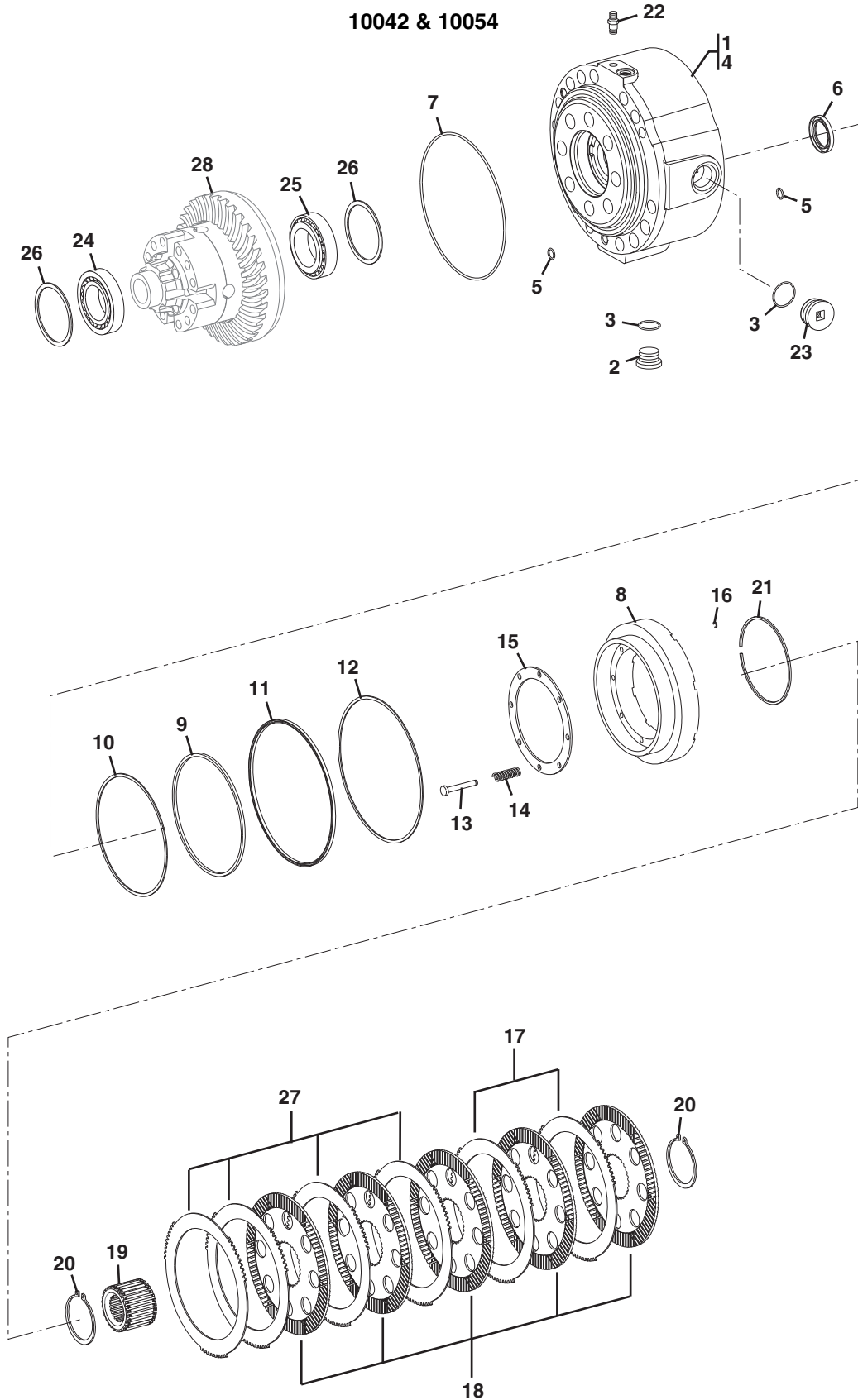




Figure 5-6 Front Axle - M-Disc Brake

Item	Part Number	Qty.	Description	Rev.
1	NLA	Ref	BRAKE HOUSING, (right side), (Before Axle S/N 679304) , (see note N1)	
	70020483	1	BRAKE HOUSING, (right side), (Axle S/N 679304 & After)	
2	1319431	2	SCREW PLUG	
3	8036331	4	O-RING	
4	NLA	Ref	BRAKE HOUSING, (left side), (Before Axle S/N 679304) , (see note N1)	
	70020484	1	BRAKE HOUSING, (left side), (Axle S/N 679304 & After)	
5	1319491	12	O-RING	
6	8036444	2	SHAFT SEAL	
7	1319425	2	O-RING	
8	8036304	2	PISTON	
9	1321162	2	U-RING	
10	1321151	2	SUPPORT RING	
11	1321163	2	U-RING	
12	1321152	2	SUPPORT RING	
13	1319496	16	PIN	
14	1319497	16	COMPRESSION SPRING	
15	8036305	2	WASHER	
16	1319499	16	CRESCENT RING	
17	1319500	4	O. CLUTCH DISC, S=2.0, (Before Axle S/N 679304)	
	70020485	4	O. CLUTCH DISC, S=2.0, (Axle S/N 679304 & After)	
	1319501	4	O. CLUTCH DISC, S=2.5, (Before Axle S/N 679304)	
	70020486	4	O. CLUTCH DISC, S=2.5, (Axle S/N 679304 & After)	
	1319502	4	O. CLUTCH DISC, S=3.0, (Before Axle S/N 679304)	
	70020487	4	O. CLUTCH DISC, S=3.0, (Axle S/N 6794304 & After)	
18	1321150	10	I. CLUTCH DISC, (Before Axle S/N 823842)	
	70020408	10	I. CLUTCH DISC, (Axle S/N 823842 & After)	
19	1321174	2	DISC CARRIER, (Before Axle S/N 823842)	
	70020409	2	DISC CARRIER, (Axle S/N 823842 & After)	
20	10731949	4	RETAINING RING	
21	1319504	2	SNAP RING	
22	1319505	2	BREATHER	
23	1319506	2	SCREW PLUG	
24	8036445	1	TA ROLLER BEARING	
25	8036447	1	ROLLER BEARING	
26	1319531	2	SHIM, A=0.10	
	8035945	2	SHIM, A=0.15	
	1319530	2	SHIM, A=0.20	
	8035946	2	SHIM, A=0.25	
	1319529	2	SHIM, A=0.30	
	8035947	2	SHIM, A=0.35	
	8035951	2	SHIM, A=0.40	
	1319543	2	SHIM, A=0.45	
	1319527	2	SHIM, A=0.50	
	1321158	2	SHIM, A=0.55	
	1319526	2	SHIM, A=0.60	
	1319532	2	SHIM, A=0.65	
	1319533	2	SHIM, A=0.70	
	1319534	2	SHIM, A=0.75	
1319525	2	SHIM, A=0.80		



DRIVE TRAIN

10042 Before S/N 0160038368 including 0160038375, 0160038378,
0160038379, 0160038381 & 0160038383
10054 Before S/N 0160038740 excluding 0160021270, 0160036713,
0160036715, 0160036721 & 0160036723

Figure 5-6 Front Axle - M-Disc Brake (Continued)

Item	Part Number	Qty.	Description	Rev.
	1319535	2	SHIM, A=0.85	
	1319536	2	SHIM, A=0.90	
	1319537	2	SHIM, A=0.95	
	1319524	2	SHIM, A=1.00	
	1319545	2	SHIM, A=1.05	
	1319538	2	SHIM, A=1.10	
	1319539	2	SHIM, A=1.15	
	1319523	2	SHIM, A=1.20	
	1319540	2	SHIM, A=1.25	
	1319541	2	SHIM, A=1.30	
	1319542	2	SHIM, A=1.35	
	1319522	2	SHIM, A=1.40	
	1319521	2	SHIM, A=1.45	
	1319520	2	SHIM, A=1.50	
	1319519	2	SHIM, A=1.55	
	1319518	2	SHIM, A=1.60	
	1319517	2	SHIM, A=1.65	
	1319510	2	SHIM, A=2.00	
	1321159	2	SHIM, A=1.47	
	8035948	2	SHIM, A=1.63	
	1319515	2	SHIM, A=1.75	
	1319516	2	SHIM, A=1.70	
	1319514	2	SHIM, A=1.80	
	1319513	2	SHIM, A=1.85	
	1319512	2	SHIM, A=1.90	
	1319511	2	SHIM, A=1.95	
27	1319502	8	O. CLUTCH DISC, S=3.0, (Before Axle S/N 679304)	
	70020487	8	O. CLUTCH DISC, S=3.0, (Axle S/N 679304 & After)	
28		Ref	BEVEL GEAR SET, (see Figure 5-3 for details)	
N1	Note	Ref	PARTS ARE NO LONGER AVAILABLE; ORDER BRAKE HOUSINGS 70020483 & 70020484, QUANTITY REQUIRED OF OUTER DISCS 70020485, 70020486 & 70020487, QUANTITY 2 OF 70020413 END PLATES	

10042 Before S/N 0160038368 including 0160038375, 0160038378,
0160038379, 0160038381 & 0160038383
10054 Before S/N 0160038740 excluding 0160021270, 0160036713,
0160036715, 0160036721 & 0160036723

DRIVE TRAIN

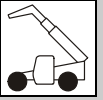


Figure 5-6 Front Axle - M-Disc Brake (Continued)

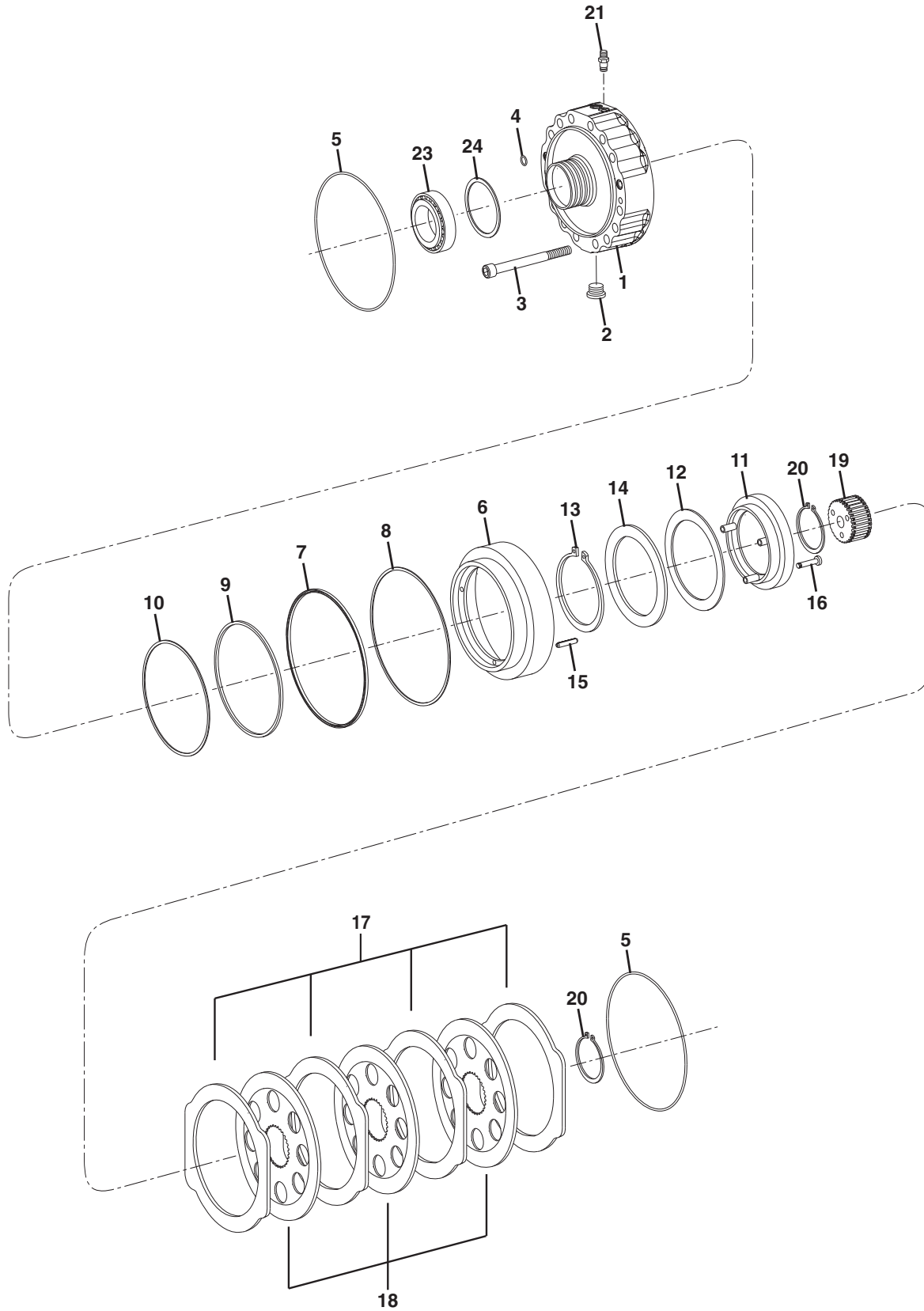
Item	Part Number	Qty.	Description	Rev.



DRIVE TRAIN

8042 S/N 0160038967 & After excluding 0160038971 & 0160038984
10042 S/N 0160038368 & After excluding 0160038375, 0160038378,
0160038379, 0160038381 & 0160038383
10054 S/N 0160038740 & After including 0160021270, 0160036713,
0160036715, 0160036721 & 0160036723

Figure 5-6 Front Axle - M-Disc Brake



PA3321

8042 S/N 0160038967 & After excluding 0160038971 & 0160038984
 10042 S/N 0160038368 & After excluding 0160038375, 0160038378,
 0160038379, 0160038381 & 0160038383
 10054 S/N 0160038740 & After including 0160021270, 0160036713,
 0160036715, 0160036721 & 0160036723

DRIVE TRAIN

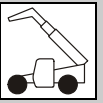


Figure 5-6 Front Axle - M-Disc Brake

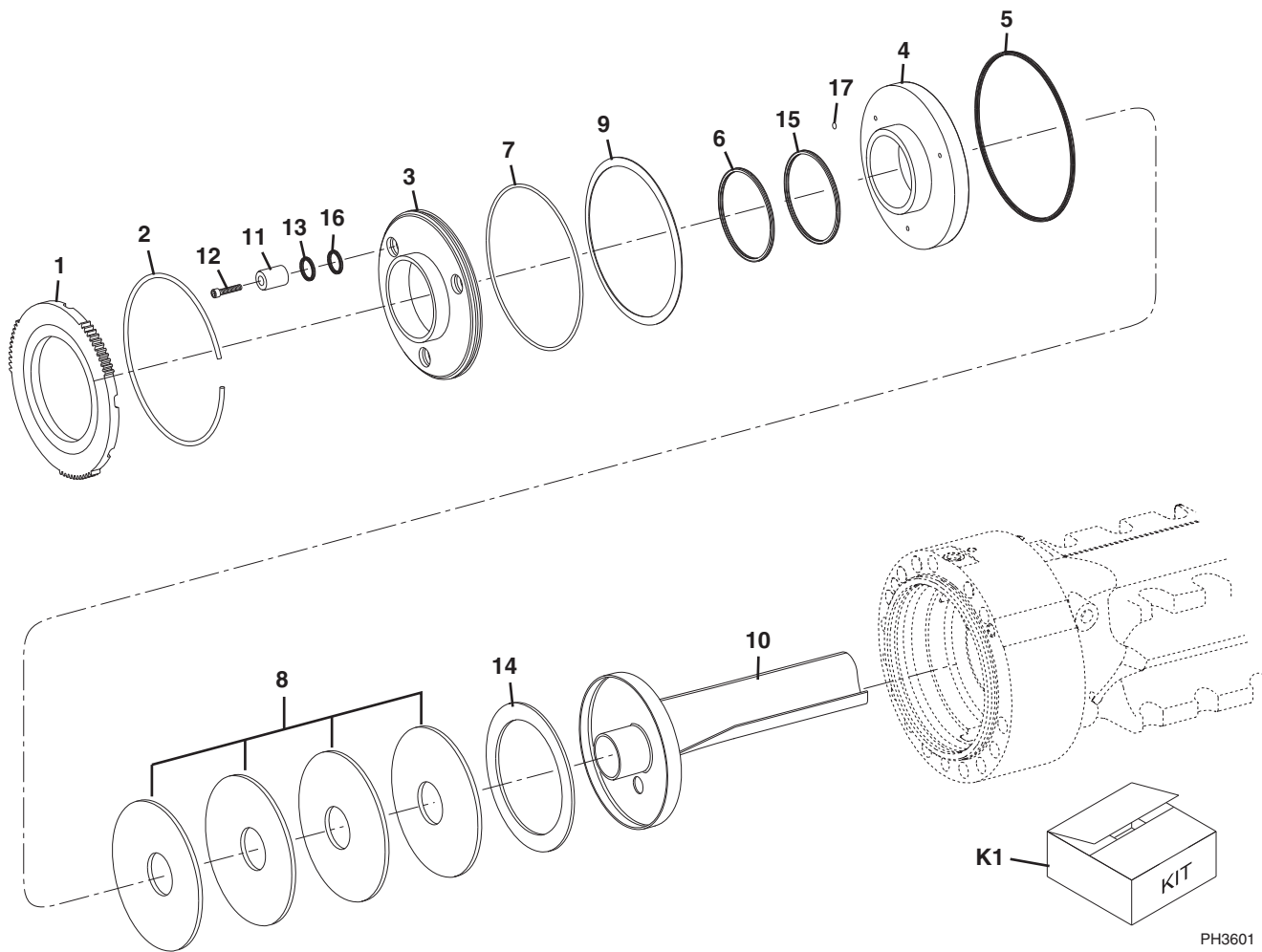
Item	Part Number	Qty.	Description	Rev.
1	70022258	2	BRAKE HOUSING	
2	1319578	2	SCREW PLUG	
3	70022209	6	CAP SCREW, M12X105	
4	8036847	10	O-RING	
5	80304462	4	O-RING	
6	70022275	2	PISTON	
7	70022190	2	PISTON PACKING	
8	70022193	2	BACK-UP RING	
9	70022189	2	PISTON PACKING	
10	70022194	2	BACK-UP RING	
11	70022236	2	RING	
12	70022183	2	CUP SPRING	
13	70022198	2	RETAINING RING	
14	70022235	2	WASHER	
15	70022186	6	SLOT PIN	
16	1319214	6	CAP SCREW, M8X40	
17	70022196	10	O.CLUTCH DISC	
18	70022176	8	I.CLUTCH DISC	
19	70022253	2	DISC CARRIER	
20	10731949	4	RETAINING RING	
21	70022171	2	BREATHER	
22	70022215	2	SCREW PLUG, (not shown)	
23	8036447	2	BEARING	
24	1319537	2	SHIM, A=0.95	
	1319545	2	SHIM, A=1.05	
	1319539	2	SHIM, A=1.15	
	1319540	2	SHIM, A=1.25	
	1319542	2	SHIM, A=1.35	



DRIVE TRAIN

8042 Before S/N 0160038967 including 0160038971 & 0160038984
10042 Before S/N 0160038368 including 0160038375, 0160038378,
0160038379, 0160038381 & 0160038383
10054 Before S/N 0160038740 excluding 0160021270, 0160036713,
0160036715, 0160036721 & 0160036723

Figure 5-7 Front Axle - Brake



PH3601



Figure 5-7 Front Axle - Brake

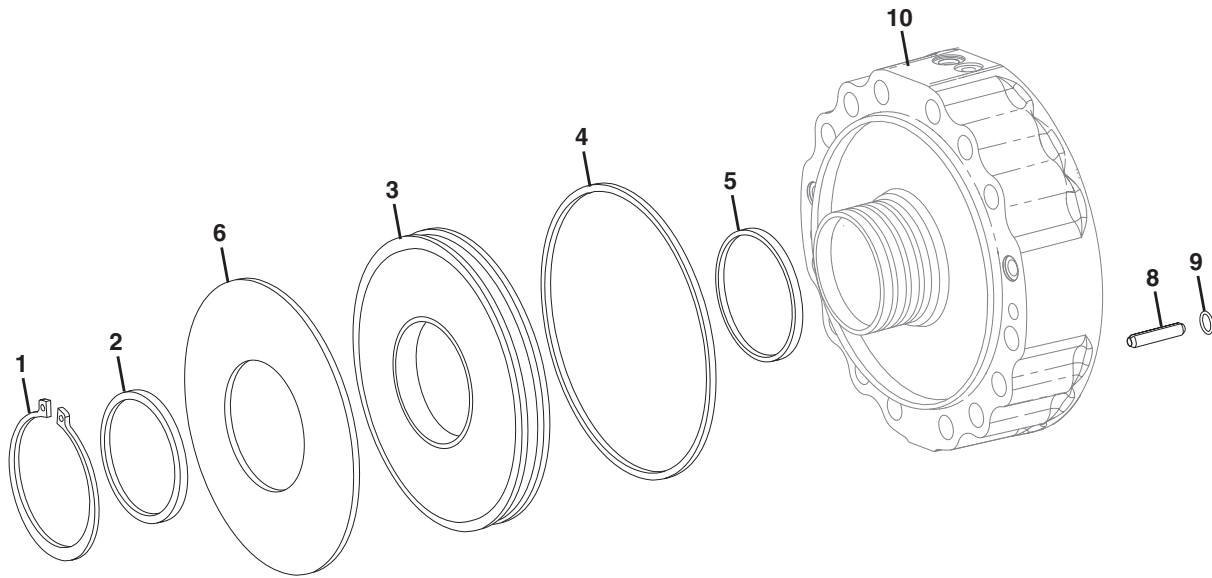
Item	Part Number	Qty.	Description	Rev.
1	Use Kit K1	Ref	END SHIM, (Before Axle S/N 336083) , (no longer available, use 7029104 kit for replacement)	
	8036848	2	END SHIM, (8042 Axle S/N 336083 thru Axle S/N 675668), (10042 Axle S/N 336083 thru Axle S/N 679304), (10054 Axle S/N 336083 thru Axle S/N 679304)	
	70020413	2	END SHIM, (8042 Axle S/N 675668 & After), (10042 Axle S/N 679304 & After), (10054 Axle S/N 679304 & After)	
2	1321206	2	SNAP RING	
3	Use Kit K1	Ref	SEALING WASHER, (Before Axle S/N 336083) , (no longer available, use 7029104 kit for replacement)	
	8036849	2	SEALING WASHER, (Axle S/N 336083 & After)	
4	Use Kit K1	Ref	PISTON, (Before Axle S/N 336083) , (no longer available, use 7029104 kit for replacement)	
	7027212	2	PISTON, (Axle S/N 336083 & After)	
5	Use Kit K1	Ref	FOUR-LIP RING, (Before Axle S/N 336083) , (no longer available, use 7029104 kit for replacement)	
	8036852	2	U-RING, (Axle S/N 336083 & After)	
6	Use Kit K1	Ref	SUPPORT RING, (Before Axle S/N 336083) , (no longer available, use 7029104 kit for replacement)	
	8036855	2	BACK-UP RING, (Axle S/N 336083 & After)	
7	8036320	2	O-RING	
8	1321207	8	CUP SPRING	
9	1321208	2	CUP SPRING	
10	Use Kit K1	2	OIL DAM, (Before Axle S/N 336083) , (no longer available, use 7029104 kit for replacement)	
	8036856	2	OIL DAM, (Axle S/N 336083 & After)	
11	Use Kit K1	Ref	PRESSURE PIN, (Before Axle S/N 336083) , (no longer available, use 7029104 kit for replacement)	
	1321244	6	PRESSURE PIN, (Axle S/N 336083 & After)	
12	8036321	6	CAPSCREW	
13	8036859	6	O-RING	
14	8035958	2	SPACING WASHER	
15	Use Kit K1	Ref	FOUR-LIP RING, (Before Axle S/N 336083) , (no longer available, use 7029104 kit for replacement)	
	8036854	2	U-RING, (Axle S/N 336083 & After)	
16	Use Kit K1	Ref	FOUR-LIP RING, (Before Axle S/N 336083) , (no longer available, use 7029104 kit for replacement)	
	8036861	6	U-RING, (Axle S/N 336083 & After)	
17	Use Kit K1	Ref	SUPPORT RING, (Before Axle S/N 336083) , (no longer available, use 7029104 kit for replacement)	
	8036862	6	BACK-UP RING, (Axle S/N 336083 & After)	
K1	7029104	AR	BRAKE SEAL KIT, (8042 Before Axle S/N 675668), (10042 Before Axle S/N 679304), (10054 Before Axle S/N 679304) , (contains quantity of 1 each of items 1 thru 7, 9, 10, 15; quantity of 3 each of items 11, 12, 13, 16, 17 and quantity of 1 of 1319425 o-ring)	



DRIVE TRAIN

8042 S/N 0160038967 & After excluding 0160038971 & 0160038984
10042 S/N 0160038368 & After excluding 0160038375, 0160038378,
0160038379, 0160038381 & 0160038383
10054 S/N 0160038740 & After including 0160021270, 0160036713,
0160036715, 0160036721 & 0160036723

Figure 5-7 Front Axle - Brake



PA3331

8042 S/N 0160038967 & After excluding 0160038971 & 0160038984
 10042 S/N 0160038368 & After excluding 0160038375, 0160038378,
 0160038379, 0160038381 & 0160038383
 10054 S/N 0160038740 & After including 0160021270, 0160036713,
 0160036715, 0160036721 & 0160036723

DRIVE TRAIN

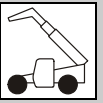


Figure 5-7 Front Axle - Brake

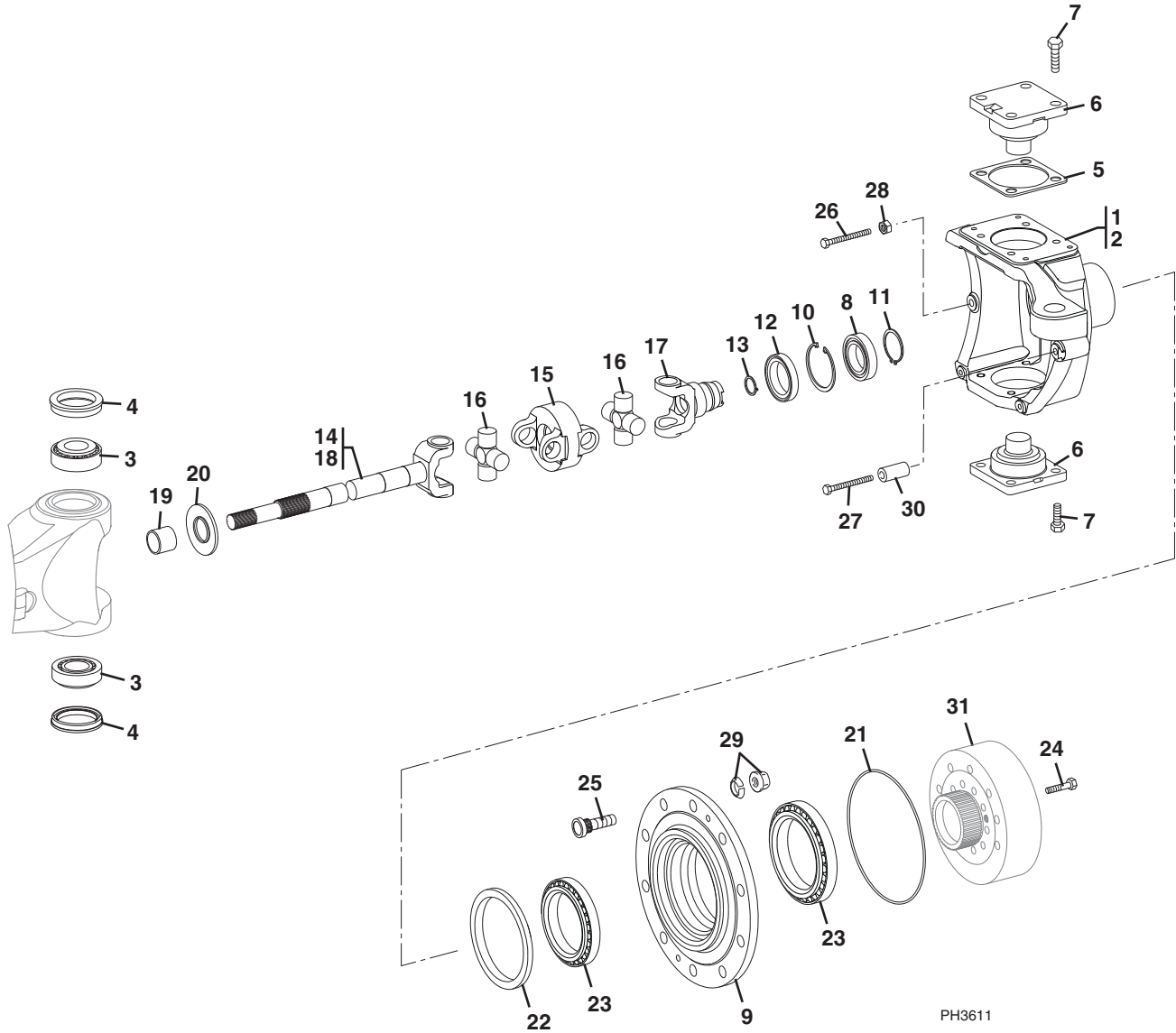
Item	Part Number	Qty.	Description	Rev.
1	70022199	2	SNAP RING	
2	70022252	2	WASHER	
3	70022251	2	PISTON	
4	70022191	2	PISTON PACKING	
5	70022192	2	ROD SEAL	
6	70022195	2	CUP SPRING	
7	70022215	2	SCREW PLUG, (not shown)	
8	70022248	14	PRESSURE PIN	
9	70022202	14	O-RING	
10		Ref	BRAKE HOUSING, (see Figure 5-6 for details)	



DRIVE TRAIN

8042 Before S/N 0160038967 including 0160038971 & 0160038984
10042 Before S/N 0160038368 including 0160038375, 0160038378,
0160038379, 0160038381 & 0160038383
10054 Before S/N 0160038740 excluding 0160021270, 0160036713,
0160036715, 0160036721 & 0160036723

Figure 5-8 Front Axle - Joint Housing



8042 Before S/N 0160038967 including 0160038971 & 0160038984
 10042 Before S/N 0160038368 including 0160038375, 0160038378,
 0160038379, 0160038381 & 0160038383
 10054 Before S/N 0160038740 excluding 0160021270, 0160036713,
 0160036715, 0160036721 & 0160036723

DRIVE TRAIN

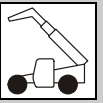


Figure 5-8 Front Axle - Joint Housing

Item	Part Number	Qty.	Description	Rev.	
1	1321256	1	JOINT HOUSING, (right side)		
2	1321257	1	JOINT HOUSING, (left side)		
3	1319445	4	ROLLER BEARING		
4	1319447	4	SHAFT SEAL		
5	1321249	2	SHIM, A=0.2		
	8035959	2	SHIM, A=0.3		
	8035960	2	SHIM, A=0.4		
	8035961	2	SHIM, A=0.5		
	8035962	2	SHIM, A=0.6		
	1321250	2	SHIM, A=0.7		
	8035963	2	SHIM, A=0.8		
	8035964	2	SHIM, A=1.0		
	8035965	2	SHIM, A=1.2		
	8035966	2	SHIM, A=1.4		
	1321251	2	SHIM, A=1.6		
	8035967	2	SHIM, A=1.8		
	8035968	2	SHIM, A=2.0		
	6	1319462	4	BEARING PIN	
	7	1319464	16	HEX SCREW	
8	1321157	2	BALL BEARING		
9	1321254	2	HUB		
10	1319210	2	RETAINING RING		
11	80304405	2	RETAINING RING		
12	7028977	2	SHAFT SEAL		
13	1321228	2	RETAINING RING		
14	1321175	2	UNIVERSAL COUPLING DRIVE SHAFT, (includes items 15 thru 20)		
15	8035969	2	CENTRAL PIECE, (Before 8042 Axle S/N 758640), (Before 10042 & 10054 Axle S/N 758670)		
	70021789	2	CENTRAL PIECE, (8042 Axle S/N 758670 & After), (10042 & 10054 Axle S/N 758670 & After)		
16	8035970	4	JOINT CROSS, (Before 8042 Axle S/N 758640), (Before 10042 & 10054 Axle S/N 758670)		
	70021790	4	JOINT CROSS, (8042 Axle S/N 758670 & After), (10042 & 10054 Axle S/N 758670 & After)		
17	8035971	2	JOINT FORK		
18	8035972	2	JOINT COUPLING FORK		
19	8035973	2	BUSHING		
20	8035974	2	SCREEN SHEET		
21	1321155	2	O-RING		
22	80304173	2	SHAFT SEAL		
23	1319472	4	ROLLER BEARING		
24	8036866	20	HEX SCREW		
25	1101056	20	WHEEL BOLT		
26	1319475	2	STOP SCREW		
27	1319476	2	STOP SCREW		
28	1319477	2	HEX NUT		
29		Ref	FLANGE WHEEL NUT & SPHERICAL WASHER SERVICE KIT, (see Figure 5-1 for details)		
30	7139743	2	SPACER TUBE, (8042 only), (used with rock tires only)		



DRIVE TRAIN

8042 Before S/N 0160038967 including 0160038971 & 0160038984
10042 Before S/N 0160038368 including 0160038375, 0160038378,
0160038379, 0160038381 & 0160038383
10054 Before S/N 0160038740 excluding 0160021270, 0160036713,
0160036715, 0160036721 & 0160036723

Figure 5-8 Front Axle - Joint Housing (Continued)

Item	Part Number	Qty.	Description	Rev.
31	7026664	2 Ref	SPACER TUBE, (10042 & 10054 only) , (used with rock tires only) RING GEAR, (see Figure 5-9 for details)	

8042 Before S/N 0160038967 including 0160038971 & 0160038984
10042 Before S/N 0160038368 including 0160038375, 0160038378,
0160038379, 0160038381 & 0160038383
10054 Before S/N 0160038740 excluding 0160021270, 0160036713,
0160036715, 0160036721 & 0160036723

DRIVE TRAIN

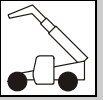


Figure 5-8 Front Axle - Joint Housing (Continued)

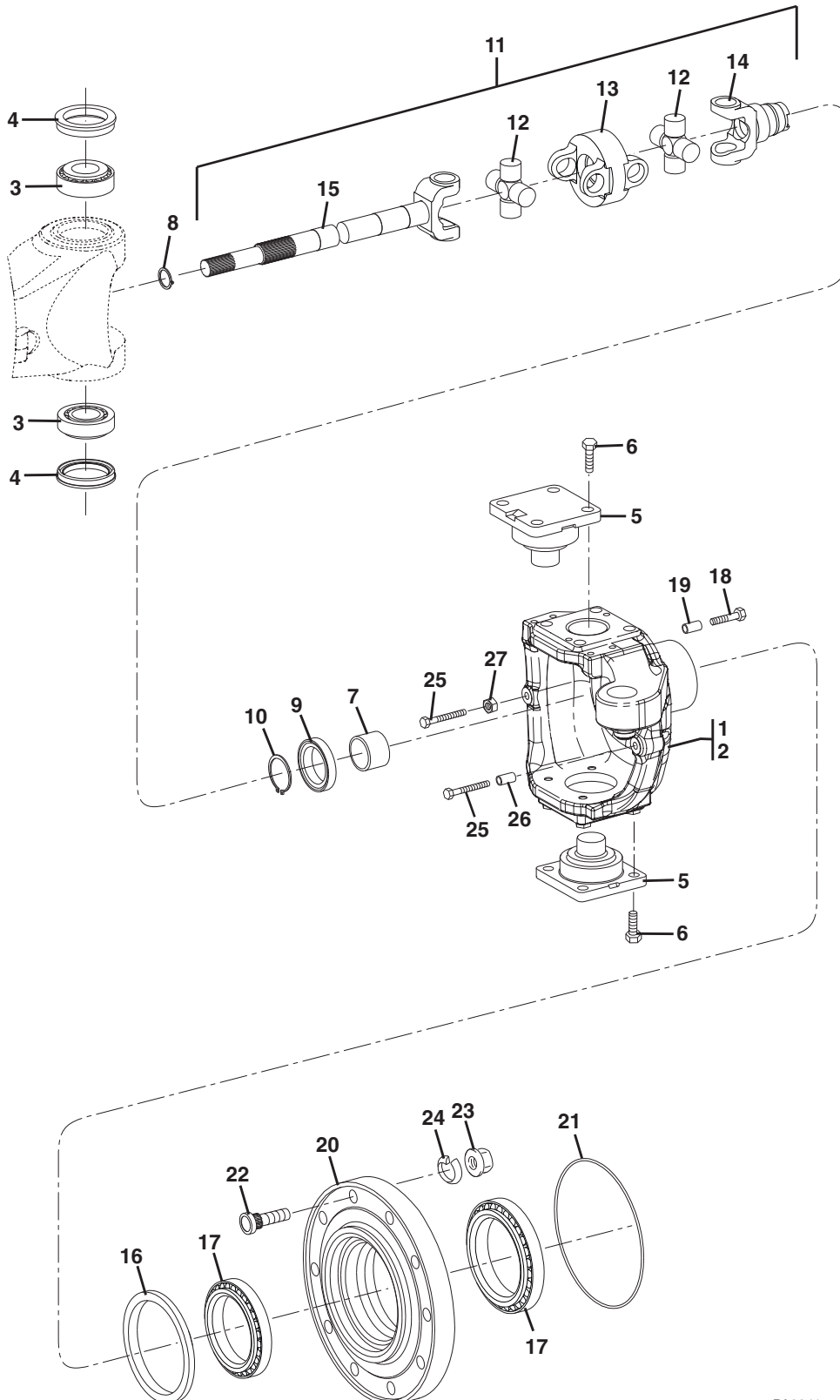
Item	Part Number	Qty.	Description	Rev.



DRIVE TRAIN

8042 S/N 0160038967 & After excluding 0160038971 & 0160038984
10042 S/N 0160038368 & After excluding 0160038375, 0160038378,
0160038379, 0160038381 & 0160038383
10054 S/N 0160038740 & After including 0160021270, 0160036713,
0160036715, 0160036721 & 0160036723

Figure 5-8 Front Axle - Joint Housing



PA3341

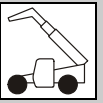


Figure 5-8 Front Axle - Joint Housing

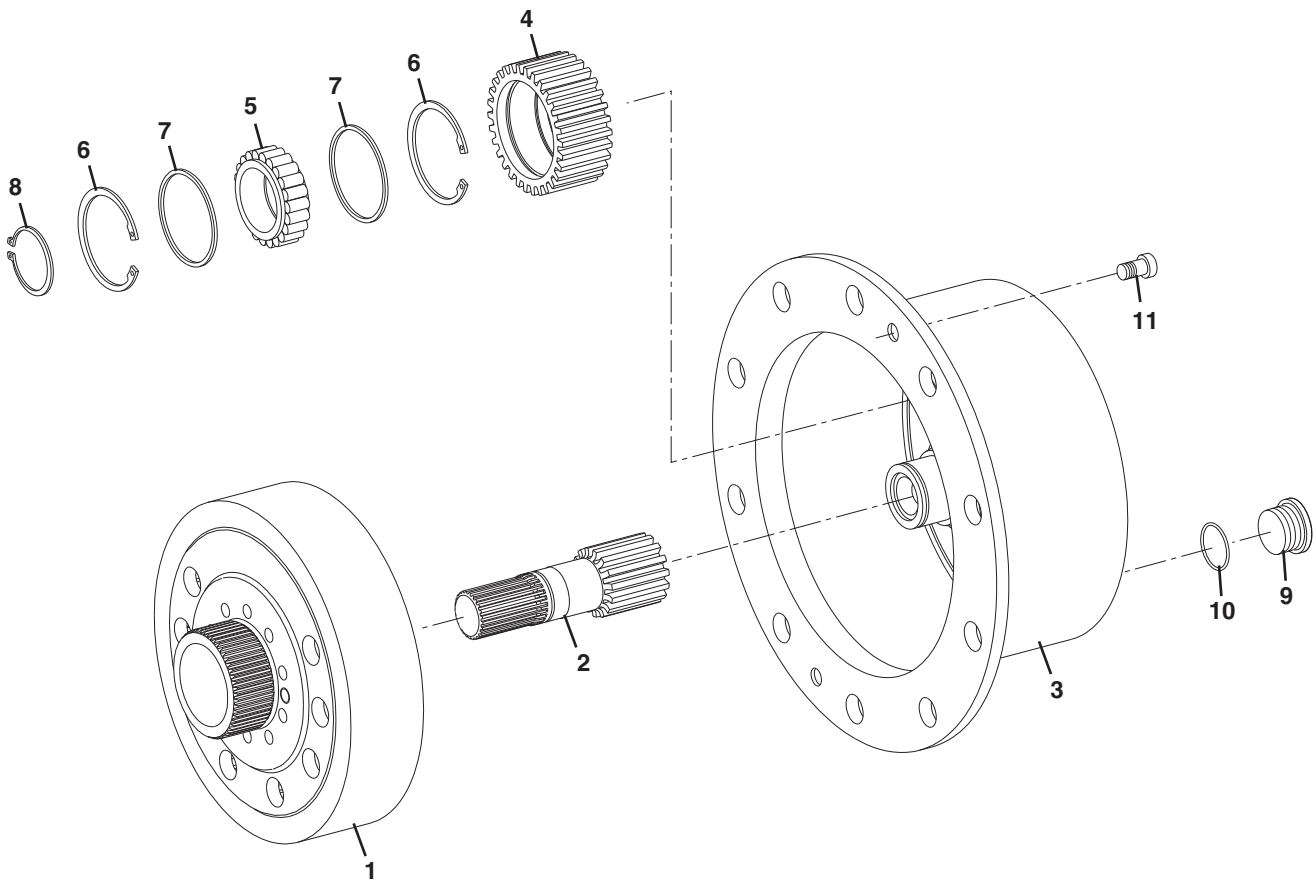
Item	Part Number	Qty.	Description	Rev.
1	70022237	1	JOINT HOUSING, (right side)	
2	70022238	1	JOINT HOUSING, (left side)	
3	70022223	4	ROLLER BEARING	
4	1319447	4	SHAFT SEAL	
5	70022240	4	BEARING PIN	
6	1319464	16	HEX SCREW, M16X40	
7	70022179	2	BUSHING	
8	10731789	2	RETAINING RING	
9	70022218	2	SHAFT SEAL	
10	1321226	2	RETAINING RING, (8042 only)	
	1321228	2	RETAINING RING, (10042 & 10054 only)	
11	70022170	2	UNIVERSAL COUPLING DRIVE SHAFT ASSY, (8042 only), (includes items 12 thru 15)	
	70022265	2	UNIVERSAL COUPLING DRIVE SHAFT ASSY, (10042 & 10054 only), (includes items 12 thru 15)	
12	70021554	2	JOINT CROSS, (8042 only)	
	70021790	2	JOINT CROSS, (10042 & 10054 only)	
13	70021553		CENTRAL PIECE, (8042 only)	
	70022268	1	CENTRAL PIECE, (10042 & 10054 only)	
14	70022187	1	FORK SHAFT, (8042 only)	
	NSS	1	FORK SHAFT, (10042 & 10054 only)	
15	70022188	1	FORK SHAFT, (8042 only)	
	NSS	1	FORK SHAFT, (10042 & 10054 only)	
16	80304173	2	SHAFT SEAL	
17	1319472	4	ROLLER BEARING	
18	70022208	16	HEX SCREW, M14X70	
19	70022234	16	CENTERING BUSHING	
20	70022249	2	HUB	
21	70022203	2	O-RING	
22	70022230	20	WHEEL BOLT	
23		Ref	WHEEL NUT, (see Figure 5-1 for details)	
24		Ref	SPRING WASHER, (see Figure 5-1 for details)	
25	8036330	4	STOP SCREW, M14X1.5	
26	70022257	2	SPACER TUBE	
27	1319477	2	HEX NUT, M14X1.5	



DRIVE TRAIN

8042 Before S/N 0160038967 including 0160038971 & 0160038984
10042 Before S/N 0160038368 including 0160038375, 0160038378,
0160038379, 0160038381 & 0160038383
10054 Before S/N 0160038740 excluding 0160021270, 0160036713,
0160036715, 0160036721 & 0160036723

Figure 5-9 Front Axle - Planetary Drive



8042 Before S/N 0160038967 including 0160038971 & 0160038984
 10042 Before S/N 0160038368 including 0160038375, 0160038378,
 0160038379, 0160038381 & 0160038383
 10054 Before S/N 0160038740 excluding 0160021270, 0160036713,
 0160036715, 0160036721 & 0160036723

DRIVE TRAIN

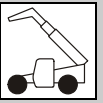


Figure 5-9 Front Axle - Planetary Drive

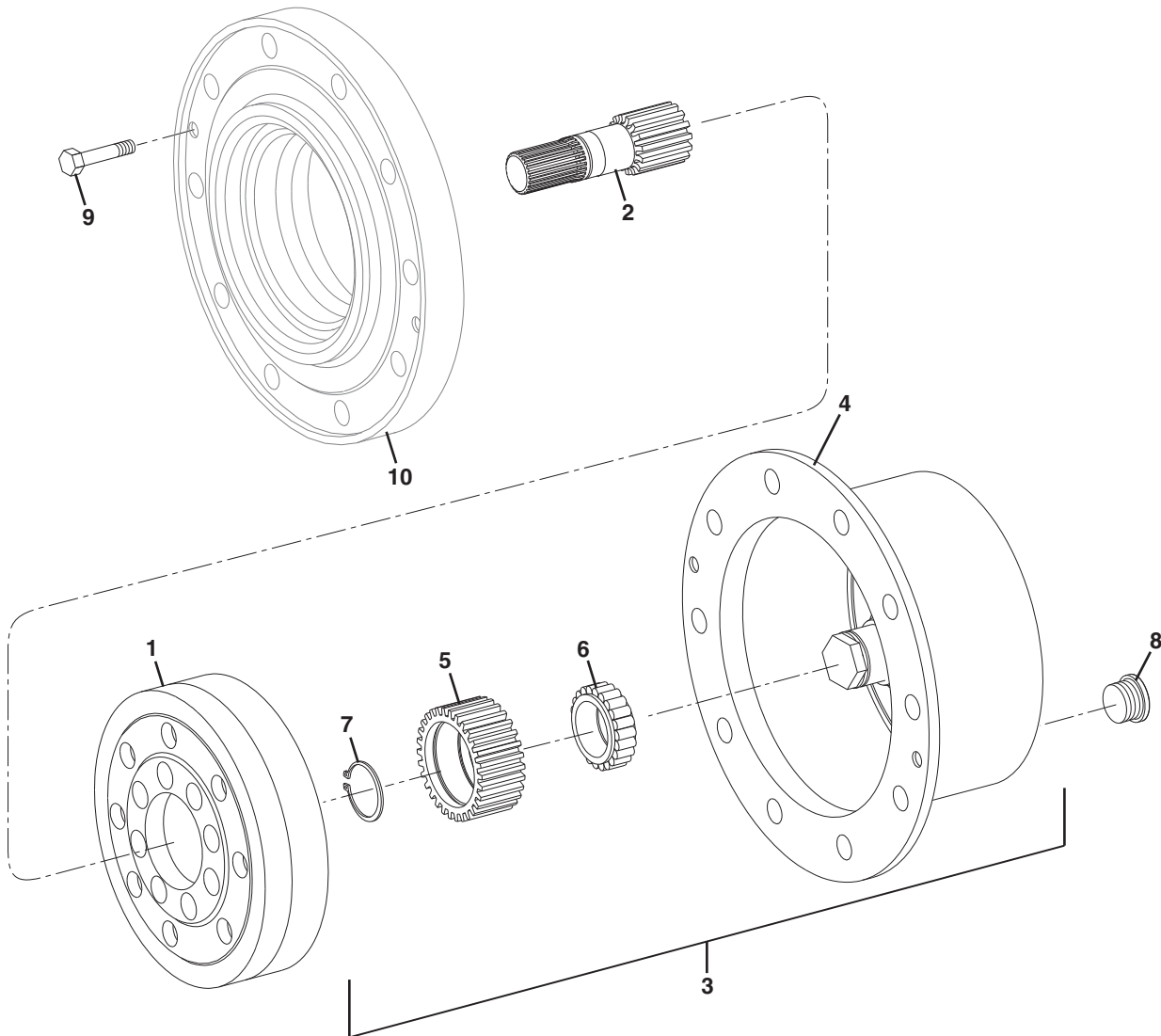
Item	Part Number	Qty.	Description	Rev.
1	1321258	2	RING GEAR	
2	1321255	2	SUN GEAR SHAFT	
3	1321232	2	PLANETARY CARRIER, (8042 Before Axle S/N 1723450), (10042 & 10054 Before Axle S/N 1723382)	
	70023261	2	PLANETARY CARRIER, (8042 Axle S/N 1723450 & After), (10042 & 10054 Axle S/N 1723382 & After)	
4	1321233	6	PLANETARY GEAR, (8042 Before Axle S/N 1723450), (10042 & 10054 Before Axle S/N 1723382)	
	70022271	3	PLANETARY GEAR, (8042 Axle S/N 1723450 & After), (10042 & 10054 Axle S/N 1723382 & After)	
5	1321214	6	TAPERED ROLLER BEARING, (8042 Before Axle S/N 1723450), (10042 & 10054 Before Axle S/N 1723382)	
	70023330	3	CYLINDRICAL ROLLER BEARING, (8042 Axle S/N 1723450 & After), (10042 & 10054 Axle S/N 1723382 & After)	
6	1321205	12	SNAP RING, (8042 Before Axle S/N 1723450), (10042 & 10054 Before Axle S/N 1723382)	
7	1321191	12	WASHER, (8042 Before Axle S/N 1723450), (10042 & 10054 Before Axle S/N 1723382)	
8	80304227	3	RETAINING RING	
9	1319506	2	SCREW PLUG	
10	8036331	2	O-RING	
11	8035977	4	CAPSCREW	



DRIVE TRAIN

8042 S/N 0160038967 & After excluding 0160038971 & 0160038984
10042 S/N 0160038368 & After excluding 0160038375, 0160038378,
0160038379, 0160038381 & 0160038383
10054 S/N 0160038740 & After including 0160021270, 0160036713,
0160036715, 0160036721 & 0160036723

Figure 5-9 Front Axle - Planetary Drive



PA3351

8042 S/N 0160038967 & After excluding 0160038971 & 0160038984
 10042 S/N 0160038368 & After excluding 0160038375, 0160038378,
 0160038379, 0160038381 & 0160038383
 10054 S/N 0160038740 & After including 0160021270, 0160036713,
 0160036715, 0160036721 & 0160036723

DRIVE TRAIN

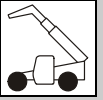


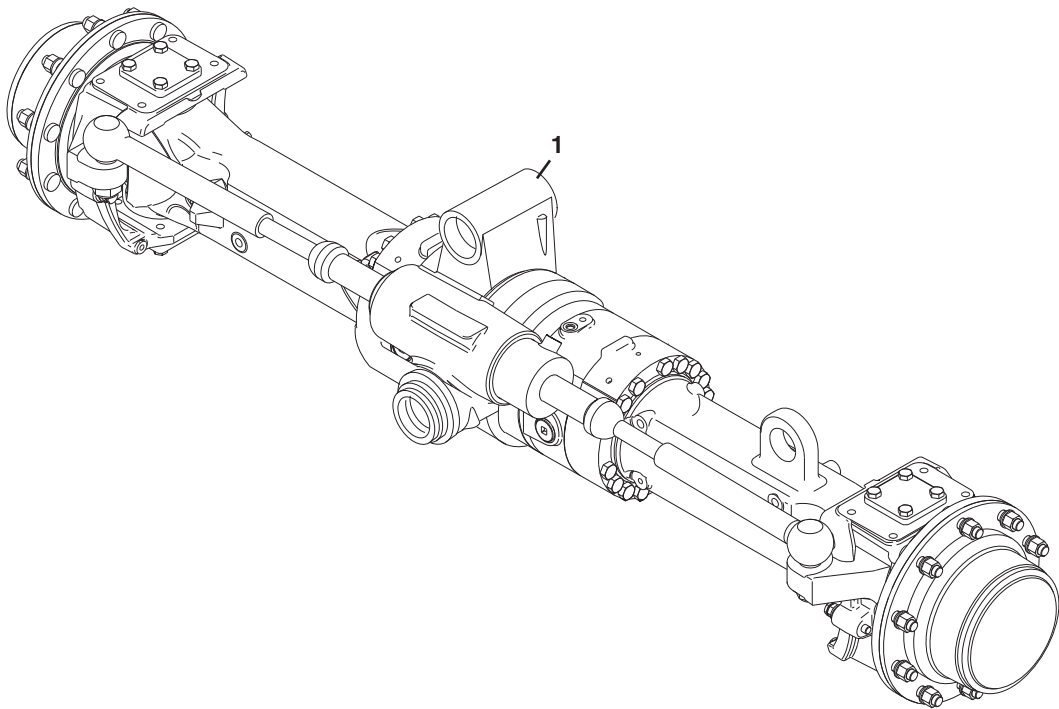
Figure 5-9 Front Axle - Planetary Drive

Item	Part Number	Qty.	Description	Rev.
1	70022242	1	RING GEAR, (8042 only)	
	70022274	1	RING GEAR, (10042 & 10054 only)	
2	70022239	2	SUN GEAR SHAFT, (8042 only)	
	70022278	2	SUN GEAR SHAFT, (10042 & 10054 only)	
3	70022281	2	PLANETARY CARRIER ASSY, (8042 only), (includes items 4 thru 7)	
	70022273	2	PLANETARY CARRIER ASSY, (10042 & 10054 only), (includes items 4 thru 7)	
4	70022283	1	PLANETARY CARRIER, (8042 only)	
	70022279	1	PLANETARY CARRIER, (10042 & 10054 only)	
5	70022243	4	PLANETARY GEAR, (8042 only)	
	70022271	3	PLANETARY GEAR, (10042 & 10054 only)	
6	70022221	4	CYL. ROLLER BEARING, (8042 only)	
	70022270	3	CYL. ROLLER BEARING, (10042 & 10054 only)	
7	70022197	4	RETAINING RING, (8042 only)	
	80304227	3	RETAINING RING, (10042 & 10054 only)	
8	1319578	2	SCREW PLUG	
9	70022207	4	HEX SCREW, M12X30	
10		Ref	HUB, (see Figure 5-8 for details)	



DRIVE TRAIN

Figure 5-10 Rear Axle



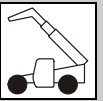


Figure 5-10 Rear Axle

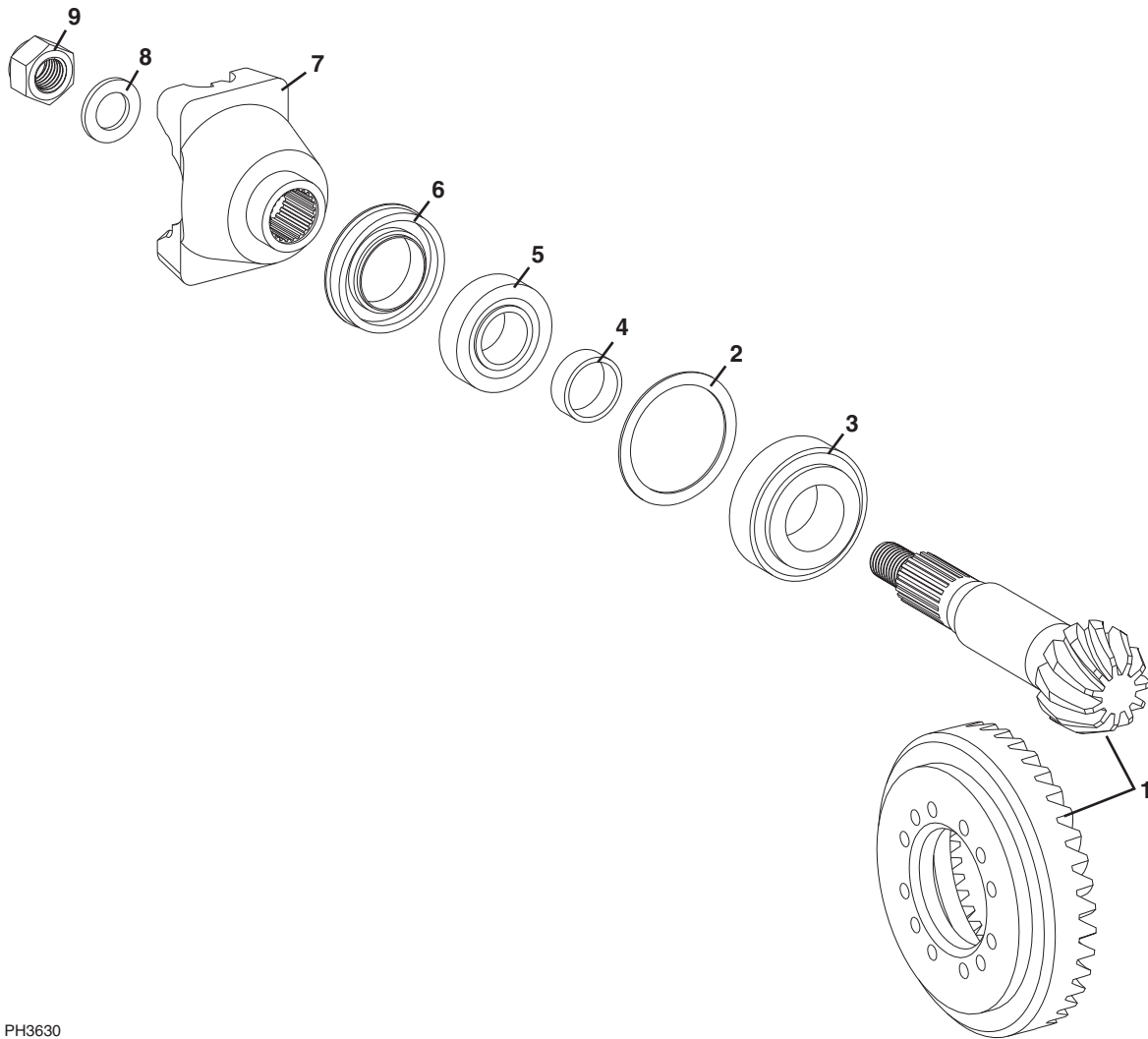
Item	Part Number	Qty.	Description	Rev.
1	8040264	1	REAR AXLE, (8042 Before S/N 0160038967 including 0160038971 & 0160038984)	
	8040272	1	REAR AXLE, (10042 Before S/N 17978)	
	8040272	1	REAR AXLE, (10054 Before S/N 17975)	
	1001116838	1	REAR AXLE, (8042 S/N 0160038967 & After excluding 0160038971 & 0160038984)	
	8040285	1	REAR AXLE, (10042 S/N 17978 thru 19987 & 0160002332 thru 0160038367 including 0160038375, 0160038378, 0160038379, 0160038381 & 0160038383)	
	8040285	1	REAR AXLE, (10054 S/N 17975 thru 19987 & 0160002332 thru 0160038739 excluding 0160021270, 0160036713, 0160036715, 0160036721 & 0160036723)	
	1001103633	1	REAR AXLE, (10042 S/N 0160038368 & After excluding 0160038375, 0160038378, 0160038379, 0160038381 & 0160038383), (10054 S/N 0160038740 & After including 0160021270, 0160036713, 0160036715, 0160036721 & 0160036723)	
		Ref	INPUT, (see Figure 5-11 for details)	
		Ref	DIFFERENTIAL, (see Figure 5-12 for details)	
		Ref	AXLE CASING, (see Figure 5-13 for details)	
		Ref	M-DISC BRAKE, (see Figure 5-14 for details)	
		Ref	BRAKE, (see Figure 5-15 for details)	
		Ref	JOINT HOUSING, (see Figure 5-16 for details)	
		Ref	PLANETARY DRIVE, (see Figure 5-17 for details)	



DRIVE TRAIN

8042 Before S/N 0160038967 including 0160038971 & 0160038984
10042 Before S/N 0160038368 including 0160038375, 0160038378,
0160038379, 0160038381 & 0160038383
10054 Before S/N 0160038740 excluding 0160021270, 0160036713,
0160036715, 0160036721 & 0160036723

Figure 5-11 Rear Axle - Input



PH3630

8042 Before S/N 0160038967 including 0160038971 & 0160038984
 10042 Before S/N 0160038368 including 0160038375, 0160038378,
 0160038379, 0160038381 & 0160038383
 10054 Before S/N 0160038740 excluding 0160021270, 0160036713,
 0160036715, 0160036721 & 0160036723

DRIVE TRAIN

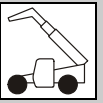


Figure 5-11 Rear Axle - Input

Item	Part Number	Qty.	Description	Rev.
1	1321229	1	BEVEL GEAR SET, (Before S/N 17975)	
	8036751	1	BEVEL GEAR SET, (8042 S/N 17975 thru 19987 & 016002332 & After), (10042 S/N 17978 thru 19987 & 0160002332 & After), (10054 S/N 17975 thru 19987 & 0160002332 & After)	
2	1319333	1	SHIM, S=1.0	
	1319334	1	SHIM, S=1.05	
	1319335	1	SHIM, S=1.1	
	1319336	1	SHIM, S=1.15	
	1319337	1	SHIM, S=1.2	
	1319338	1	SHIM, S=1.25	
	1319339	1	SHIM, S=1.3	
	1319340	1	SHIM, S=1.35	
	1319341	1	SHIM, S=1.4	
	1319342	1	SHIM, S=1.45	
	1319343	1	SHIM, S=1.5	
	1319344	1	SHIM, S=1.55	
	1319345	1	SHIM, S=1.6	
	1319346	1	SHIM, S=0.9	
	1319347	1	SHIM, S=0.95	
	1319348	1	SHIM, S=0.65	
	1319349	1	SHIM, S=0.7	
	1319350	1	SHIM, S=0.75	
1319351	1	SHIM, S=0.85		
1319352	1	SHIM, S=0.8		
3	1319353	1	ROLLER BEARING	
4	1319354	1	RING, S=15.1	
	1319355	1	RING, S=15.2	
	1319356	1	RING, S=15.3	
	1319357	1	RING, S=15.4	
	1319358	1	RING, S=15.5	
	1319359	1	RING, S=15.6	
	1319360	1	RING, S=15.7	
	1319361	1	RING, S=15.8	
	1319362	1	RING, S=15.9	
	1319363	1	RING, S=16.0	
	1319364	1	RING, S=16.1	
	1319365	1	RING, S=16.2	
	1319366	1	RING, S=16.3	
	1319367	1	RING, S=16.4	
	8035982	1	RING, S=16.26	
1319369	1	RING, S=16.23		
1319370	1	RING, S=16.16		
1319371	1	RING, S=16.13		
1319372	1	RING, S=16.06		
1319373	1	RING, S=16.03		
1319374	1	RING, S=15.96		
1319375	1	RING, S=15.93		
1319376	1	RING, S=15.86		
1319377	1	RING, S=15.83		



DRIVE TRAIN

8042 Before S/N 0160038967 including 0160038971 & 0160038984
10042 Before S/N 0160038368 including 0160038375, 0160038378,
0160038379, 0160038381 & 0160038383
10054 Before S/N 0160038740 excluding 0160021270, 0160036713,
0160036715, 0160036721 & 0160036723

Figure 5-11 Rear Axle - Input (Continued)

Item	Part Number	Qty.	Description	Rev.
	1319378	1	RING, S=15.76	
	1319379	1	RING, S=15.73	
	1319380	1	RING, S=15.66	
	1319381	1	RING, S=15.63	
	1319382	1	RING, S=15.56	
	1319383	1	RING, S=15.53	
	1319384	1	RING, S=15.46	
	1319385	1	RING, S=15.43	
	1319386	1	RING, S=15.36	
	1319387	1	RING, S=15.33	
	1319388	1	RING, S=15.26	
	1319389	1	RING, S=15.38	
	1319390	1	RING, S=15.48	
	1319391	1	RING, S=15.58	
	1313932	1	RING, S=15.68	
	1319393	1	RING, S=15.69	
	1319394	1	RING, S=15.72	
	1319395	1	RING, S=15.78	
	1319396	1	RING, S=15.81	
	1319397	1	RING, S=15.84	
	1319398	1	RING, S=15.88	
	1319399	1	RING, S=15.89	
	1319400	1	RING, S=15.91	
	1319401	1	RING, S=15.94	
	1319402	1	RING, S=15.97	
5	1319444	1	ROLLER BEARING	
6	1321211	1	SHAFT SEAL	
7	1321237	1	END YOKE	
8	1319406	1	WASHER	
9	8035983	1	HEX NUT	

8042 Before S/N 0160038967 including 0160038971 & 0160038984
10042 Before S/N 0160038368 including 0160038375, 0160038378,
0160038379, 0160038381 & 0160038383
10054 Before S/N 0160038740 excluding 0160021270, 0160036713,
0160036715, 0160036721 & 0160036723

DRIVE TRAIN

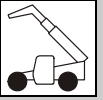


Figure 5-11 Rear Axle - Input (Continued)

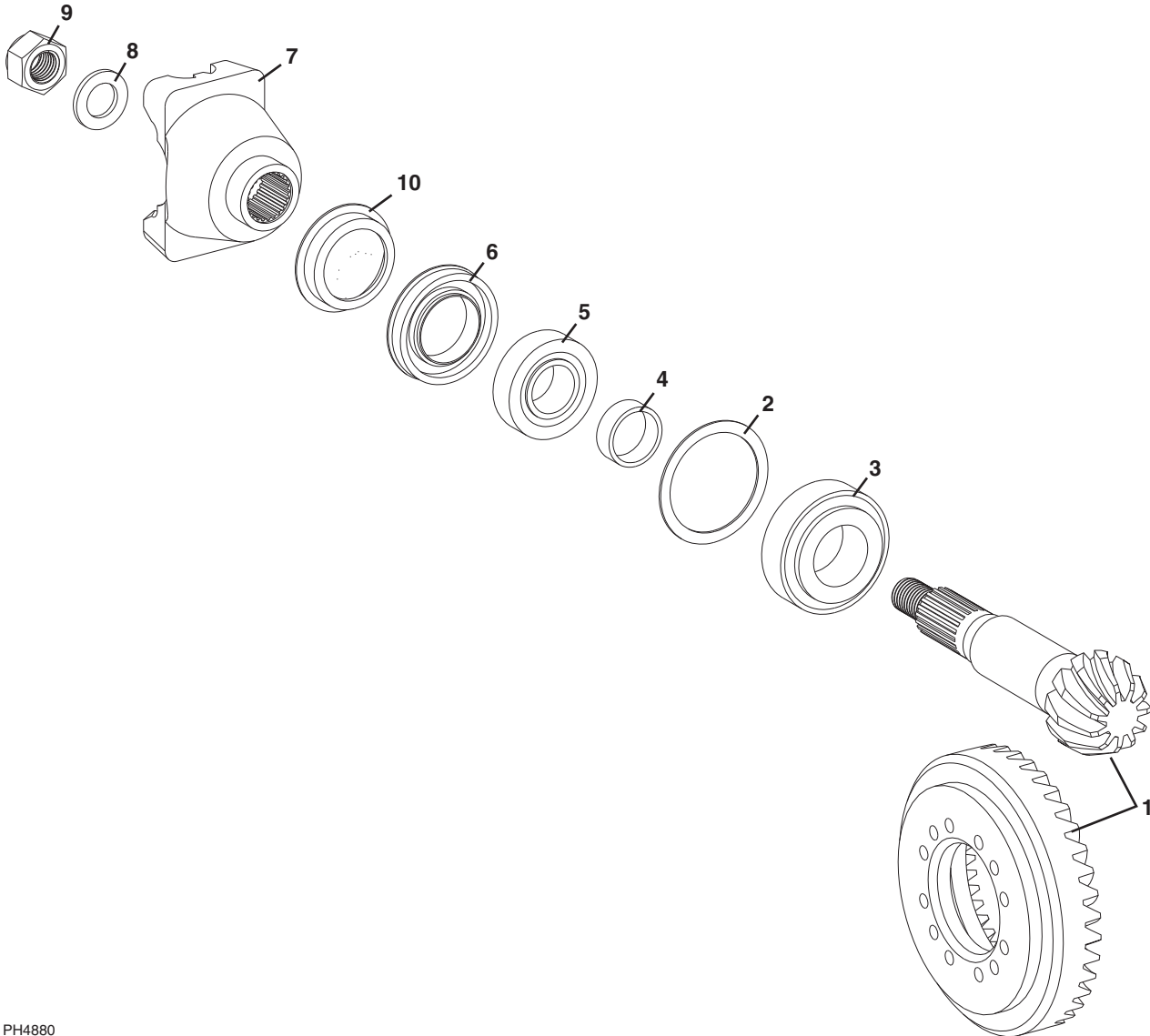
Item	Part Number	Qty.	Description	Rev.



DRIVE TRAIN

8042 S/N 0160038967 & After excluding 0160038971 & 0160038984
10042 S/N 0160038368 & After excluding 0160038375, 0160038378,
0160038379, 0160038381 & 0160038383
10054 S/N 0160038740 & After including 0160021270, 0160036713,
0160036715, 0160036721 & 0160036723

Figure 5-11 Rear Axle - Input



PH4880

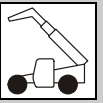


Figure 5-11 Rear Axle - Input

Item	Part Number	Qty.	Description	Rev.
1	70022786	1	BEVEL GEAR, (8042)	
	70022787	1	PINION, (8042)	
	70022280	1	BEVEL GEAR SET, (10042 & 10054)	
2	80304160	1	SHIM, S=0.1	
	80304159	1	SHIM, S=0.2	
	80304158	1	SHIM, S=0.3	
	80304157	1	SHIM, S=0.5	
	80304156	1	SHIM, S=0.6	
	80304162	1	SHIM, S=0.65	
	80304155	1	SHIM, S=0.7	
	80304161	1	SHIM, S=0.75	
	80304154	1	SHIM, S=0.8	
	80304153	1	SHIM, S=0.9	
	80304152	1	SHIM, S=1.0	
	80304146	1	SHIM, S=1.2	
	80304163	1	SHIM, S=1.25	
	80304151	1	SHIM, S=1.3	
	80304164	1	SHIM, S=1.35	
	80304150	1	SHIM, S=1.4	
	80304165	1	SHIM, S=1.45	
	80304145	1	SHIM, S=1.5	
	80304166	1	SHIM, S=1.55	
	80304149	1	SHIM, S=1.6	
	80304167	1	SHIM, S=1.65	
	80304148	1	SHIM, S=1.7	
	80304168	1	SHIM, S=1.75	
	80304144	1	SHIM, S=1.8	
	80304169	1	SHIM, S=1.85	
	80304147	1	SHIM, S=1.9	
	80304143	1	SHIM, S=2.0	
3	70023400	1	TAPERED ROLLER BEARING, (8042)	
	70022231	1	TAPERED ROLLER BEARING, (10042 & 10054)	
4	80304088	1	RING, S=16.0	
	80304089	1	RING, S=16.1	
	80304090	1	RING, S=16.2	
	80304091	1	RING, S=16.3	
	80304092	1	RING, S=16.4	
	80304093	1	RING, S=16.5	
	80304110	1	RING, S=16.56	
	80304094	1	RING, S=16.6	
	80304111	1	RING, S=16.62	
	80304112	1	RING, S=16.64	
	80304124	1	RING, S=16.66	
	80304113	1	RING, S=16.68	
	80304095	1	RING, S=16.7	
	70022216	1	RING, S=16.72	
	80304115	1	RING, S=16.74	
80304117	1	RING, S=16.76		
80304118	1	RING, S=16.78		



DRIVE TRAIN

8042 S/N 0160038967 & After excluding 0160038971 & 0160038984
10042 S/N 0160038368 & After excluding 0160038375, 0160038378,
0160038379, 0160038381 & 0160038383
10054 S/N 0160038740 & After including 0160021270, 0160036713,
0160036715, 0160036721 & 0160036723

Figure 5-11 Rear Axle - Input (Continued)

Item	Part Number	Qty.	Description	Rev.
	80304096	1	RING, S=16.8	
	80304119	1	RING, S=16.82	
	80304120	1	RING, S=16.84	
	80304104	1	RING, S=16.86	
	80304121	1	RING, S=16.88	
	80304122	1	RING, S=16.9	
	80304097	1	RING, S=16.92	
	80304123	1	RING, S=16.94	
	80304125	1	RING, S=16.96	
	80304107	1	RING, S=16.98	
	80304126	1	RING, S=17.0	
	80304127	1	RING, S=17.02	
	80304108	1	RING, S=17.04	
	80304128	1	RING, S=17.06	
	80304129	1	RING, S=17.08	
	80304099	1	RING, S=17.10	
	80304130	1	RING, S=17.12	
	80304131	1	RING, S=17.14	
	80304132	1	RING, S=17.16	
	80304133	1	RING, S=17.18	
	80304100	1	RING, S=17.2	
	80304134	1	RING, S=17.22	
	80304135	1	RING, S=17.24	
	80304136	1	RING, S=17.26	
	80304137	1	RING, S=17.28	
	80304101	1	RING, S=17.3	
	80304102	1	RING, S=17.4	
5	1319353	1	ROLLER BEARING	
6	70022220	1	SHAFT SEAL	
7	70022245	1	END YOKE	
8	80304082	1	WASHER	
9	70022213	1	HEX NUT	
10	70022244	1	SCREEN SHEET	

8042 S/N 0160038967 & After excluding 0160038971 & 0160038984
10042 S/N 0160038368 & After excluding 0160038375, 0160038378,
0160038379, 0160038381 & 0160038383
10054 S/N 0160038740 & After including 0160021270, 0160036713,
0160036715, 0160036721 & 0160036723

DRIVE TRAIN

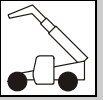


Figure 5-11 Rear Axle - Input (Continued)

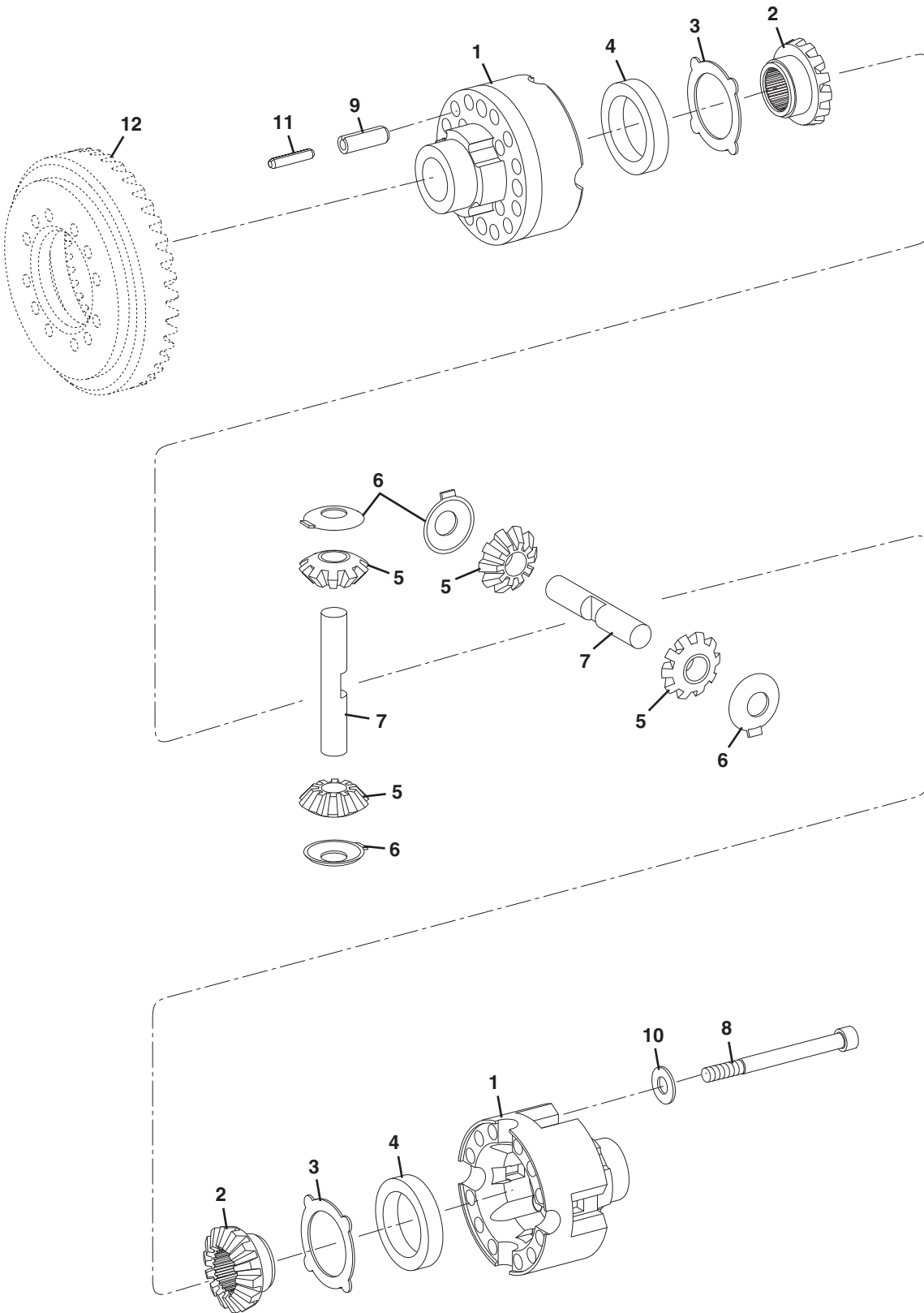
Item	Part Number	Qty.	Description	Rev.



DRIVE TRAIN

8042 Before S/N 0160038967 including 0160038971 & 0160038984
10042 Before S/N 0160038368 including 0160038375, 0160038378,
0160038379, 0160038381 & 0160038383
10054 Before S/N 0160038740 excluding 0160021270, 0160036713,
0160036715, 0160036721 & 0160036723

Figure 5-12 Rear Axle - Differential



8042 Before S/N 0160038967 including 0160038971 & 0160038984
 10042 Before S/N 0160038368 including 0160038375, 0160038378,
 0160038379, 0160038381 & 0160038383
 10054 Before S/N 0160038740 excluding 0160021270, 0160036713,
 0160036715, 0160036721 & 0160036723

DRIVE TRAIN

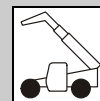


Figure 5-12 Rear Axle - Differential

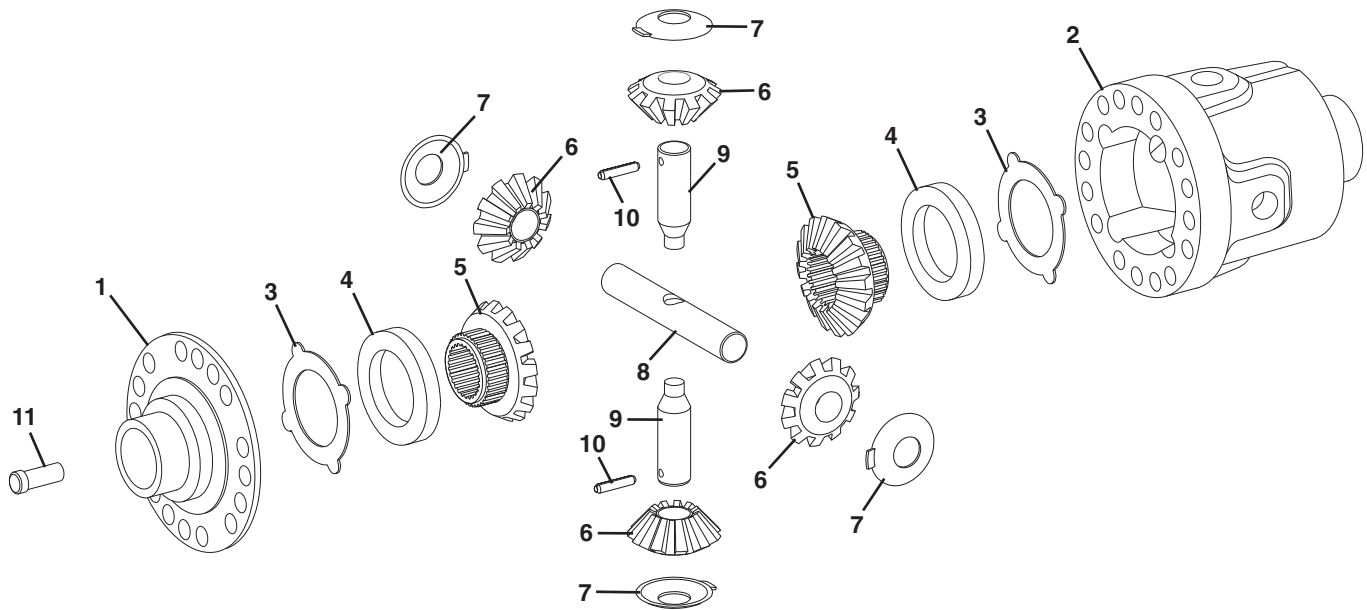
Item	Part Number	Qty.	Description	Rev.
1	1321215	1	DIFFERENTIAL CASE	
2	8036752	2	AXLE BEVEL GEAR	
3	1319412	2	THRUST WASHER,	
4	1321260	2	DIFFERENTIAL RING, A=13.7	
	8035984	2	DIFFERENTIAL RING, A=13.6	
	1321259	2	DIFFERENTIAL RING, A=13.5	
5	8036753	4	DIFFERENTIAL BEVEL GEAR, (Before Axle S/N 708692)	
	1319414	4	DIFFERENTIAL BEVEL GEAR, (Axle S/N 708692 & After)	
6	1319415	4	THRUST WASHER	
7	1321225	2	DIFFERENTIAL AXLE	
8	8035923	12	CAP SCREW	
9	1321153	4	SLOT PIN	
10	1321184	12	WASHER	
11	1321154	4	SLOT PIN	
12		Ref	BEVEL GEAR SET, (see Figure 5-11 for details)	



DRIVE TRAIN

8042 S/N 0160038967 & After excluding 0160038971 & 0160038984
10042 S/N 0160038368 & After excluding 0160038375, 0160038378,
0160038379, 0160038381 & 0160038383
10054 S/N 0160038740 & After including 0160021270, 0160036713,
0160036715, 0160036721 & 0160036723

Figure 5-12 Rear Axle - Differential



PA4700

8042 S/N 0160038967 & After excluding 0160038971 & 0160038984
 10042 S/N 0160038368 & After excluding 0160038375, 0160038378,
 0160038379, 0160038381 & 0160038383
 10054 S/N 0160038740 & After including 0160021270, 0160036713,
 0160036715, 0160036721 & 0160036723

DRIVE TRAIN

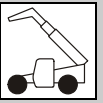
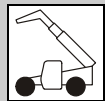


Figure 5-12 Rear Axle - Differential

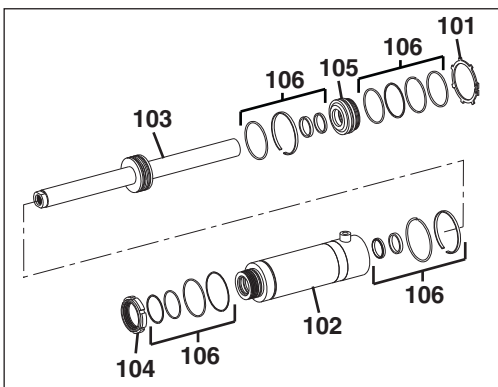
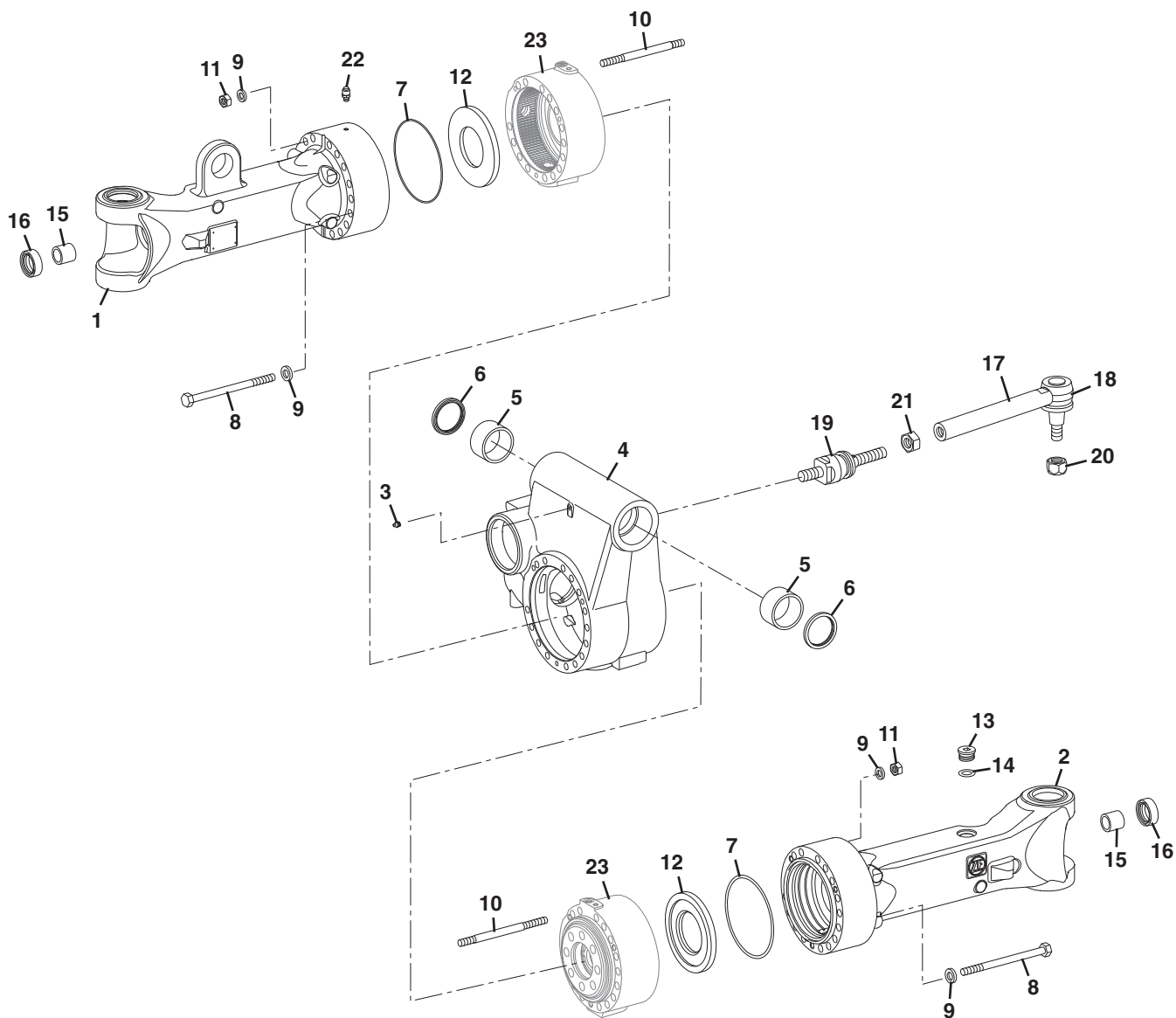
Item	Part Number	Qty.	Description	Rev.
1	70022229	1	COVER	
2	70022226	Ref	DIFFERENTIAL CASE, (no longer available, Before Axle S/N 2022732 must replace with both 70023910 differential case and qty 2 of 70023904 slotted pins)	
	70023910	1	DIFFERENTIAL CASE, (Axle S/N 2022732 & After)	
3	70022284	2	THRUST WASHER	
4	70023401	2	COMPENSATING RING, (8042)	
	70022285	2	COMPENSATING RING, (10042 & 10054)	
5	70023402	2	AXLE BEVEL GEAR, (8042)	
	70022225	2	AXLE BEVEL GEAR, (10042 & 10054)	
6	70023403	4	DIFFERENTIAL BEVEL GEAR, (8042)	
	70022185	4	DIFFERENTIAL BEVEL GEAR, (10042 & 10054)	
7	70022262	4	THRUST WASHER	
8	70022227	1	DIFFERENTIAL AXLE	
9	70022228	2	DIFFERENTIAL AXLE	
10	70022200	Ref	SLOT PIN, (no longer available, Before Axle S/N 2022732 must replace with both 70023910 differential case and qty 2 of 70023904 slotted pins)	
	70023904	2	SLOTTED PIN, (Axle S/N 2022732 & After)	
11	70022211	16	CAPSCREW	



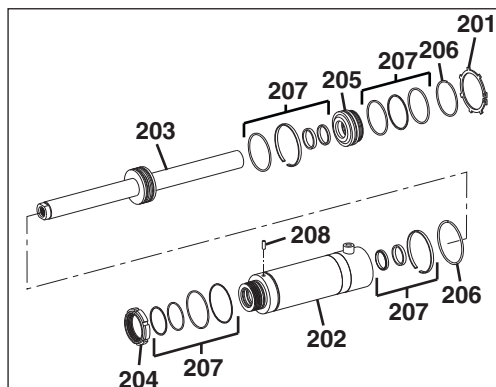
DRIVE TRAIN

8042 Before S/N 0160038967 including 0160038971 & 0160038984
 10042 Before S/N 0160038368 including 0160038375, 0160038378,
 0160038379, 0160038381 & 0160038383
 10054 Before S/N 0160038740 excluding 0160021270, 0160036713,
 0160036715, 0160036721 & 0160036723

Figure 5-13 Rear Axle - Axle Casing



8042 BEFORE AXLE S/N 955403
 10042 BEFORE AXLE S/N 949494
 10054 BEFORE AXLE S/N 949494



8042 AXLE S/N 955403 & AFTER
 10042 AXLE S/N 949494 & AFTER
 10054 AXLE S/N 949494 & AFTER

PH3652

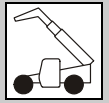


Figure 5-13 Rear Axle - Axle Casing

Item	Part Number	Qty.	Description	Rev.
1	8035986	1	AXLE CASING	
2	8035987	1	AXLE CASING	
3	1319423	1	LUBRICATION NIPPLE	
4	7026663	1	AXLE DRIVE HOUSING, (15 screw joints; completely interchangeable with 14 screw joints)	
	70021111	1	AXLE DRIVE HOUSING, (14 screw joints)	
5	1321234	2	BUSHING	
6	1321209	2	SEAL	
7	1319425	2	O-RING	
8	8035027	30	HEX SCREW	
	8035927	28	HEX SCREW	
9	8036312	30	WASHER, (only used on 7026663)	
10	8036313	8	STUD	
11	1319429	8	HEX NUT	
12	8036606	2	END SHIM, (Before Axle S/N 679469)	
	70020413	2	END SHIM, (Axle S/N 679469 & After)	
13	1319506	1	SCREW PLUG	
14	8036331	1	O-RING	
15	1319433	2	BUSHING	
16	7027211	2	SHAFT SEAL	
17	1321148	2	AXLE JOINT, (includes items 18 thru 21)	
18	8036756	2	BALL JOINT	
19	8036757	2	AXLE JOINT	
20	8036758	2	LOCKNUT	
21	8036759	2	HEX NUT	
22	1319436	1	BREATHER	
23		Ref	BRAKE HOUSING, (see Figure 5-14 for details)	
	1321149	Ref	STEERING CYLINDER, (8042 Axle Before S/N 828785, 10042 Axle Before S/N 1285172, 10054 Axle Before S/N 1285172), (includes items 101 thru 106), (no longer available, use 70021617 for replacement)	
	70021617	1	STEERING CYLINDER, (8042 Axle S/N 828785 & After, 10042 Axle S/N 1285172 & After, 10054 Axle S/N 1285172 & After), (includes items 201 thru 208)	
101	8035978	Ref	L-RING, (no longer available, use 70021617 for replacement)	
102	8036440	Ref	TUBE WELDMENT, (no longer available, use 70021617 for replacement)	
103	8036439	Ref	PISTON ROD, (no longer available, use 70021617 for replacement)	
104	8035998	1	SLOTTED NUT	
105	8035980	Ref	GUIDE PIECE, (no longer available, use 70021617 for replacement)	
106	8035981	1	SEAL KIT	
201	70021571	1	L-RING	
202	NSS	1	CYLINDER TUBE	
203	70021568	1	PISTON ROD	
204	70021570	1	SLOTTED NUT	
205	70021569	1	GUIDE PIECE	
206	70021726	2	RETAINING RING	
207	70021495	1	SEAL KIT	
208	70022610	1	SLOTTED PIN	

8042 S/N 0160038967 & After excluding 0160038971 & 0160038984
 10042 S/N 0160038368 & After excluding 0160038375, 0160038378,
 0160038379, 0160038381 & 0160038383
 10054 S/N 0160038740 & After including 0160021270, 0160036713,
 0160036715, 0160036721 & 0160036723

DRIVE TRAIN

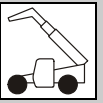


Figure 5-13 Rear Axle - Axle Casing

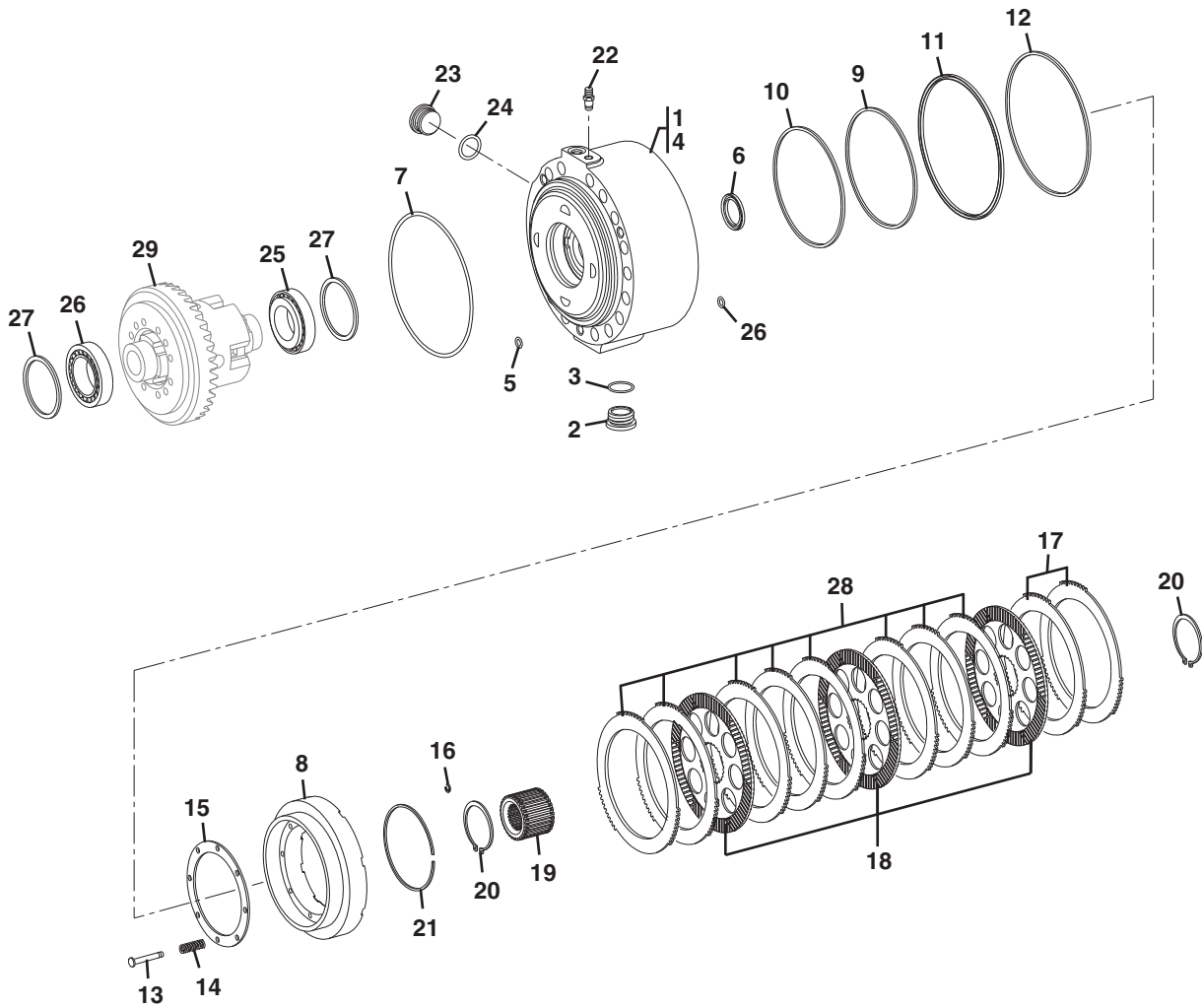
Item	Part Number	Qty.	Description	Rev.
1	70022255	2	AXLE CASING	
2	70022277	1	AXLE DRIVE HOUSING	
3	70022206	28	HEX HD CAPSCREW, M18X180	
4	70023404	4	SCREW PLUG, (8042)	
	1319578	4	SCREW PLUG, (10042 & 10054)	
5	70022241	2	BUSHING	
6	70022204	2	O-RING	
7	70022217	2	RING	
8	10731790	2	BEARING	
9	70022201	2	SET SCREW, M10X1X16	
10	70022777	2	SCREW PLUG, (8042)	
	1319666	2	SCREW PLUG, (10042 & 10054)	
11	7027217	2	O-RING	
12	70022174	2	TIE ROD, (includes items 13 thru 16)	
13	70022175	1	BALL JOINT	
14	70022172	1	AXIAL JOINT	
15	8036758	1	LOCKNUT	
16	8036759	1	HEX NUT	
17	1319436	1	BREATHER	
18	8036418	1	SCREW PLUG	
19	1321209	2	SHAFT SEAL	
20	1321234	2	BUSHING	
21	70022254	1	BRACKET	
22	1001103619	3	HEX HD CAPSCREW, M22X1.5X80	
23	1319423	1	GREASE FITTING	
101	70022173	1	STEERING CYLINDER, (includes items 102 thru 106)	
102	70022177	1	PISTON ROD	
103	70022184	2	BREAK HEAD	
104	70022181	2	RETAINING RING	
105	70022180	2	RETAINING RING	
106	70022178	1	SEAL KIT	
107	70022789	4	CAPSCREW, M22X1.5X55, (8042)	
	70022210	4	CAPSCREW, M22X1.5X55, (10042 & 10054)	



DRIVE TRAIN

8042 Before S/N 0160038967 including 0160038971 & 0160038984
10042 Before S/N 0160038368 including 0160038375, 0160038378,
0160038379, 0160038381 & 0160038383
10054 Before S/N 0160038740 excluding 0160021270, 0160036713,
0160036715, 0160036721 & 0160036723

Figure 5-14 Rear Axle - M-Disc Brake



8042 Before S/N 0160038967 including 0160038971 & 0160038984
 10042 Before S/N 0160038368 including 0160038375, 0160038378,
 0160038379, 0160038381 & 0160038383
 10054 Before S/N 0160038740 excluding 0160021270, 0160036713,
 0160036715, 0160036721 & 0160036723

DRIVE TRAIN

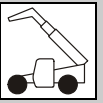


Figure 5-14 Rear Axle - M-Disc Brake

Item	Part Number	Qty.	Description	Rev.
1	NLA	1	BRAKE HOUSING, (left side), (Before Axle S/N 679469) , (see note N1)	
	70020483	1	BRAKE HOUSING, (left side), (Axle S/N 679469 & After)	
2	1319431	2	SCREW PLUG	
3	8036331	2	O-RING	
4	NLA	1	BRAKE HOUSING, (right side), (Before Axle S/N 679469) , (see note N1)	
	70020484	1	BRAKE HOUSING, (right side), (Axle S/N 679469 & After)	
5	1319491	12	O-RING	
6	8036444	2	SHAFT SEAL	
7	1319425	2	O-RING	
8	8036304	2	PISTON	
9	1321162	2	U-RING	
10	1321151	2	SUPPORT RING	
11	1321163	2	U-RING	
12	1321152	2	SUPPORT RING	
13	1319496	16	PIN	
14	1319497	16	COMPRESSION SPRING	
15	8036305	2	WASHER	
16	1319499	16	CRESCENT RING	
17	1319500	4	O. CLUTCH DISC, S=2.0, (Before Axle S/N 679469)	
	70020485	4	O. CLUTCH DISC, S=2.0, (Axle S/N 679469 & After)	
	1319501	4	O. CLUTCH DISC, S=2.5, (Before Axle S/N 679469)	
	70020486	4	O. CLUTCH DISC, S=2.5, (Axle S/N 679469 & After)	
	1319502	4	O. CLUTCH DISC, S=3.0, (Before Axle S/N 679469)	
	70020487	4	O. CLUTCH DISC, S=3.0, (Axle S/N 679469 & After)	
18	1321150	6	I. CLUTCH DISC, (Before Axle S/N 824742)	
	70020408	6	I. CLUTCH DISC, (Axle S/N 824742 & After)	
19	1321174	2	DISC CARRIER, (Before Axle S/N 824742)	
	70020409	2	DISC CARRIER, (Axle S/N 824742 & After)	
20	10731949	4	RETAINING RING	
21	1319504	2	SNAP RING	
22	1319505	2	BREATHER	
23	1319506	2	SCREW PLUG	
24	8036331	2	O-RING	
25	8036445	1	ROLLER BEARING	
26	8036447	1	ROLLER BEARING	
27	1319531	2	SHIM, A=0.1	
	8035945	2	SHIM, A=0.15	
	1319530	2	SHIM, A=0.2	
	8035946	2	SHIM, A=0.25	
	1319529	2	SHIM, A=0.3	
	8035947	2	SHIM, A=0.35	
	8035951	2	SHIM, A=0.4	
	1319543	2	SHIM, A=0.45	
	1319527	2	SHIM, A=0.5	
	1321158	2	SHIM, A=0.55	
	1319526	2	SHIM, A=0.6	
	1319532	2	SHIM, A=0.65	
	1319533	2	SHIM, A=0.7	
	1319534	2	SHIM, A=0.75	



DRIVE TRAIN

8042 Before S/N 0160038967 including 0160038971 & 0160038984
 10042 Before S/N 0160038368 including 0160038375, 0160038378,
 0160038379, 0160038381 & 0160038383
 10054 Before S/N 0160038740 excluding 0160021270, 0160036713,
 0160036715, 0160036721 & 0160036723

Figure 5-14 Rear Axle - M-Disc Brake (Continued)

Item	Part Number	Qty.	Description	Rev.
	1319525	2	SHIM, A=0.8	
	1319535	2	SHIM, A=0.85	
	1319536	2	SHIM, A=0.9	
	1319537	2	SHIM, A=0.95	
	1319524	2	SHIM, A=1.0	
	1319545	2	SHIM, A=1.05	
	1319538	2	SHIM, A=1.1	
	1319539	2	SHIM, A=1.15	
	1319523	2	SHIM, A=1.2	
	1319540	2	SHIM, A=1.25	
	1319541	2	SHIM, A=1.3	
	1319542	2	SHIM, A=1.35	
	1319522	2	SHIM, A=1.4	
	1319521	2	SHIM, A=1.45	
	1319520	2	SHIM, A=1.5	
	1319519	2	SHIM, A=1.55	
	1319518	2	SHIM, A=1.6	
	1319517	2	SHIM, A=1.65	
	1319510	2	SHIM, A=2.0	
	1321159	2	SHIM, A=1.47	
	8035948	2	SHIM, A=1.63	
	1319515	2	SHIM, A=1.75	
	1319516	2	SHIM, A=1.7	
	1319514	2	SHIM, A=1.8	
	1319513	2	SHIM, A=1.85	
	1319512	2	SHIM, A=1.9	
	1319511	2	SHIM, A=1.95	
28	1319502	16	O. CLUTCH DISC, S=3.0, (Before Axle S/N 679469)	
	70020486	8	O. CLUTCH DISC, S=2.5, (Axle S/N 679469 & After)	
	70020487	8	O. CLUTCH DISC, S=3.0, (Axle S/N 679469 & After)	
29		Ref	DIFFERENTIAL, (see Figure 5-12 for details)	
N1	Note	Ref	PARTS ARE NO LONGER AVAILABLE; ORDER BRAKE HOUSINGS 70020483 & 70020484, QUANTITY REQUIRED OF OUTER DISCS 70020485, 70020486 & 70020487, QUANTITY 2 OF 70020413 END PLATES	

8042 Before S/N 0160038967 including 0160038971 & 0160038984
 10042 Before S/N 0160038368 including 0160038375, 0160038378,
 0160038379, 0160038381 & 0160038383
 10054 Before S/N 0160038740 excluding 0160021270, 0160036713,
 0160036715, 0160036721 & 0160036723

DRIVE TRAIN

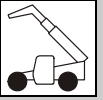


Figure 5-14 Rear Axle - M-Disc Brake (Continued)

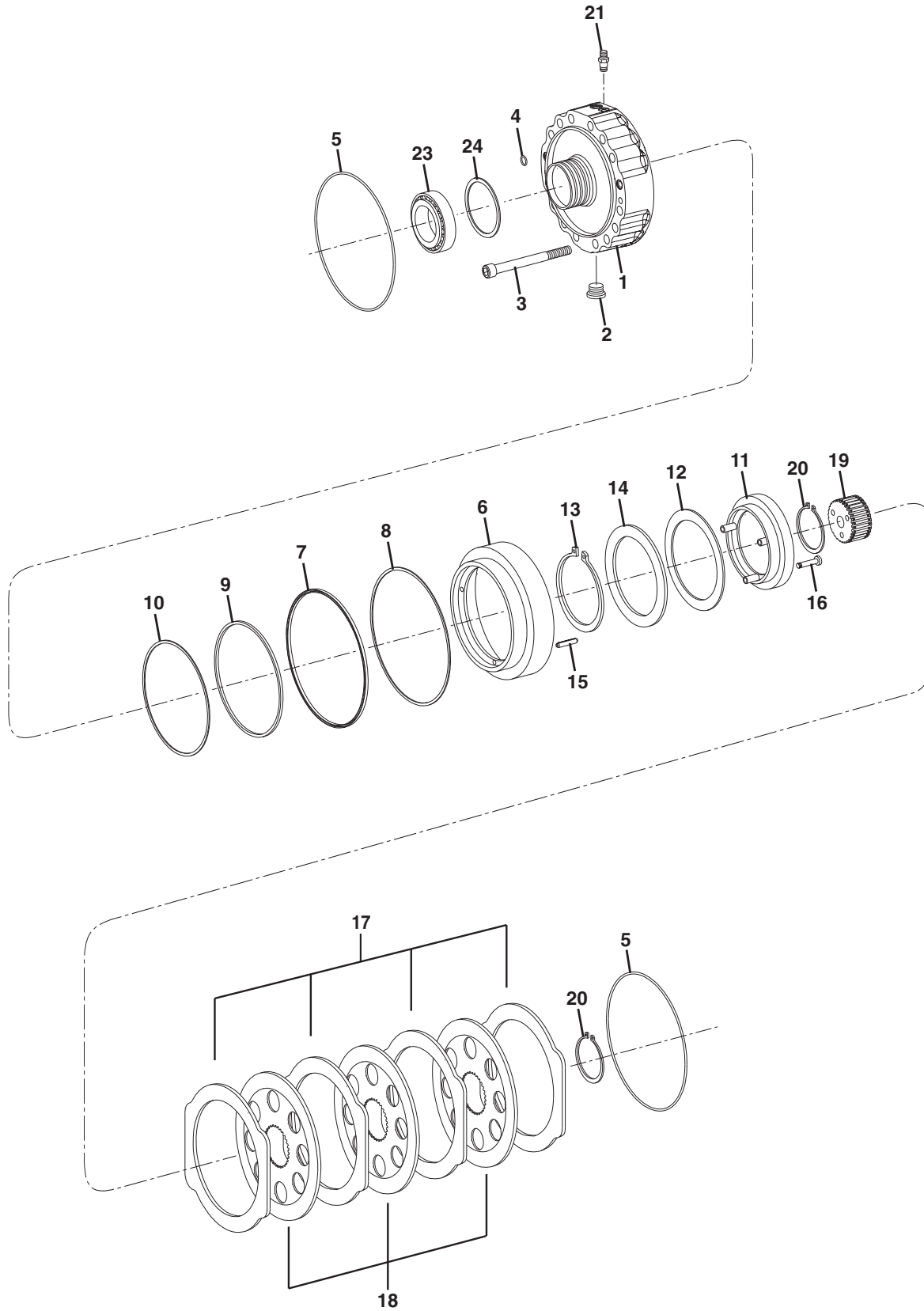
Item	Part Number	Qty.	Description	Rev.



DRIVE TRAIN

8042 S/N 0160038967 & After excluding 0160038971 & 0160038984
10042 S/N 0160038368 & After excluding 0160038375, 0160038378,
0160038379, 0160038381 & 0160038383
10054 S/N 0160038740 & After including 0160021270, 0160036713,
0160036715, 0160036721 & 0160036723

Figure 5-14 Rear Axle - M-Disc Brake



PA3321

8042 S/N 0160038967 & After excluding 0160038971 & 0160038984
 10042 S/N 0160038368 & After excluding 0160038375, 0160038378,
 0160038379, 0160038381 & 0160038383
 10054 S/N 0160038740 & After including 0160021270, 0160036713,
 0160036715, 0160036721 & 0160036723

DRIVE TRAIN

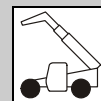


Figure 5-14 Rear Axle - M-Disc Brake

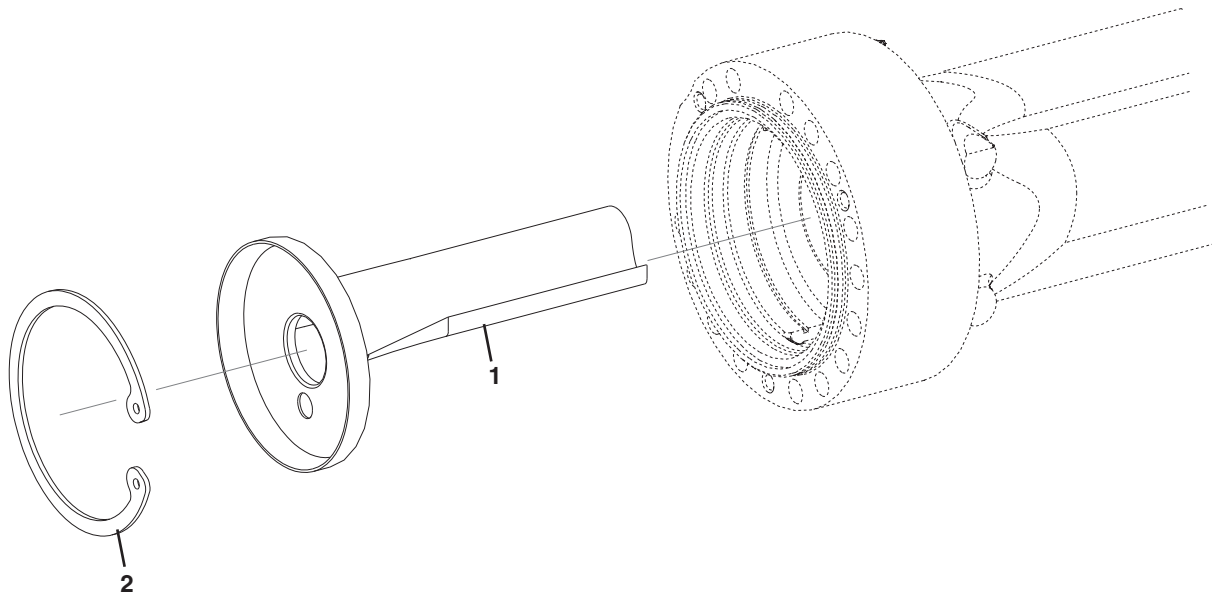
Item	Part Number	Qty.	Description	Rev.
1	70022282	2	BRAKE HOUSING	
2	70023404	2	SCREW PLUG, (8042)	
	1319578	2	SCREW PLUG, (10042 & 10054)	
3	70022209	6	CAP SCREW, M12X105	
4	8036847	10	O-RING	
5	80304462	4	O-RING	
6	70022250	2	PISTON	
7	70022190	2	PISTON PACKING	
8	70022193	2	BACK-UP RING	
9	70022189	2	PISTON PACKING	
10	70022194	2	BACK-UP RING	
11	70022236	2	RING	
12	70022183	2	CUP SPRING	
13	70022198	2	RETAINING RING	
14	70022235	2	WASHER	
15	70022186	8	SLOT PIN	
16	1319214	6	CAP SCREW, M8X40	
17	70022196	8	O.CLUTCH DISC	
18	70022176	6	I.CLUTCH DISC	
19	70022253	2	DISC CARRIER	
20	10731949	4	RETAINING RING	
21	70022171	2	BREATHER	
22	70022215	2	SCREW PLUG, (10042 & 10054), (not shown)	
23	8036447	2	BEARING	
24	1319537	AR	SHIM, A=0.95	
	1319545	AR	SHIM, A=1.05	
	1319539	AR	SHIM, A=1.15	
	1319540	AR	SHIM, A=1.25	
	1319542	AR	SHIM, A=1.35	



DRIVE TRAIN

8042 Before S/N 0160038967 including 0160038971 & 0160038984
10042 Before S/N 0160038368 including 0160038375, 0160038378,
0160038379, 0160038381 & 0160038383
10054 Before S/N 0160038740 excluding 0160021270, 0160036713,
0160036715, 0160036721 & 0160036723

Figure 5-15 Rear Axle - Brake



8042 Before S/N 0160038967 including 0160038971 & 0160038984
 10042 Before S/N 0160038368 including 0160038375, 0160038378,
 0160038379, 0160038381 & 0160038383
 10054 Before S/N 0160038740 excluding 0160021270, 0160036713,
 0160036715, 0160036721 & 0160036723

DRIVE TRAIN

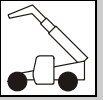


Figure 5-15 Rear Axle - Brake

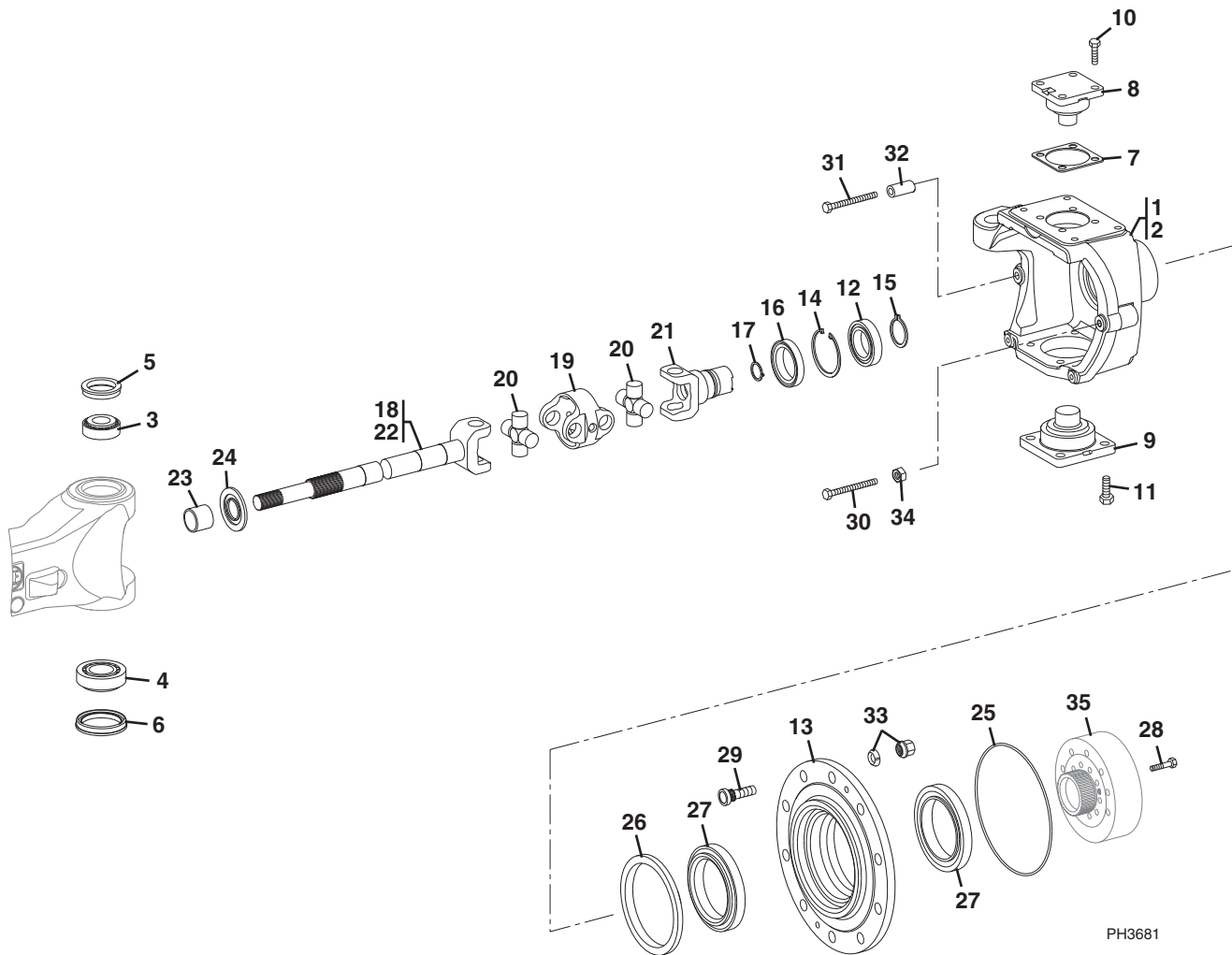
Item	Part Number	Qty.	Description	Rev.
1	1321172	2	PIN CARRIER	
2	1321178	2	RETAINING RING	



DRIVE TRAIN

8042 Before S/N 0160038967 including 0160038971 & 0160038984
10042 Before S/N 0160038368 including 0160038375, 0160038378,
0160038379, 0160038381 & 0160038383
10054 Before S/N 0160038740 excluding 0160021270, 0160036713,
0160036715, 0160036721 & 0160036723

Figure 5-16 Rear Axle - Joint Housing



PH3681

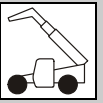


Figure 5-16 Rear Axle - Joint Housing

Item	Part Number	Qty.	Description	Rev.
1	1321245	1	JOINT HOUSING, (left side)	
2	1321246	1	JOINT HOUSING, (right side)	
3	1319444	2	ROLLER BEARING	
4	1319445	2	ROLLER BEARING	
5	8036338	2	MULTI SEAL RING	
6	1319447	2	SHAFT SEAL	
7	1319448	2	SHIM, S=0.2	
	1319449	2	SHIM, S=0.3	
	1319450	2	SHIM, S=0.4	
	1319451	2	SHIM, S=0.6	
	1319452	2	SHIM, S=0.8	
	1319453	2	SHIM, S=1.0	
	1319454	2	SHIM, S=1.2	
	1319455	2	SHIM, S=1.4	
	1319456	2	SHIM, S=1.6	
	1319457	2	SHIM, S=1.8	
	1319458	2	SHIM, S=2.0	
	1319459	2	SHIM, S=0.7	
	1319460	2	SHIM, S=0.5	
8	1319461	2	BEARING PIN	
9	1319462	2	BEARING PIN	
10	1319463	8	HEX SCREW	
11	1319464	8	HEX SCREW	
12	1321157	2	BALL BEARING	
13	1321239	2	HUB	
14	1319210	2	RETAINING RING	
15	80304405	2	RETAINING RING	
16	7028977	2	SHAFT SEAL	
17	1321226	2	RETAINING RING	
18	7028979	Ref	UNIVERSAL COUPLING DRIVE SHAFT, (not maintenance free), (Before Axle S/N 720124) , (no longer available, use 70022052 for replacement), (includes items 19 thru 24)	
	70022052	2	UNIVERSAL COUPLING DRIVE SHAFT, (maintenance free), (Axle S/N 720125 & After) , (includes items 19 thru 24)	
19	8035992	2	CENTRAL PIECE, (Before Axle S/N 720124) , (see note N1)	
	70021553	2	CENTRAL PIECE, (Axle S/N 720125 & After)	
20	8035993	4	JOINT CROSS, (Before Axle S/N 720124) , (see note N1)	
	70021554	4	JOINT CROSS, (Axle S/N 720125 & After)	
21	8035994	2	JOINT FORK	
22	8035995	2	JOINT COUPLING FORK	
23	8035973	2	BUSHING	
24	8035996	2	SCREEN SHEET	
25	1321155	2	O-RING	
26	80304173	2	SHAFT SEAL	
27	1319472	4	ROLLER BEARING	
28	8035997	20	HEX SCREW	
29	1101056	20	WHEEL BOLT	
30	1319476	2	STOP SCREW	
31	8036330	2	STOP SCREW	



DRIVE TRAIN

8042 Before S/N 0160038967 including 0160038971 & 0160038984
10042 Before S/N 0160038368 including 0160038375, 0160038378,
0160038379, 0160038381 & 0160038383
10054 Before S/N 0160038740 excluding 0160021270, 0160036713,
0160036715, 0160036721 & 0160036723

Figure 5-16 Rear Axle - Joint Housing (Continued)

Item	Part Number	Qty.	Description	Rev.
32	7139743	2	SPACER TUBE, (8042 only) , (used with rock tires only)	
	7026664	2	SPACER TUBE, (10042 & 10054 only) , (used with rock tires only)	
33		Ref	FLANGE WHEEL NUT & SPHERICAL WASHER SERVICE KIT, (see Figure 5-1 for details)	
34	1319477	2	HEX NUT	
35		Ref	RING GEAR, (see Figure 5-17 for details)	
N1	Note	Ref	IF REPLACING BOTH 8035992 CENTRAL PIECE 8035993 JOINT CROSS (NOT MAINTENANCE FREE) CAN REPLACE WITH 70021553 CENTRAL PIECE & 70021554 JOINT CROSS (MAINTENANCE FREE).	

8042 Before S/N 0160038967 including 0160038971 & 0160038984
 10042 Before S/N 0160038368 including 0160038375, 0160038378,
 0160038379, 0160038381 & 0160038383
 10054 Before S/N 0160038740 excluding 0160021270, 0160036713,
 0160036715, 0160036721 & 0160036723

DRIVE TRAIN

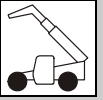


Figure 5-16 Rear Axle - Joint Housing (Continued)

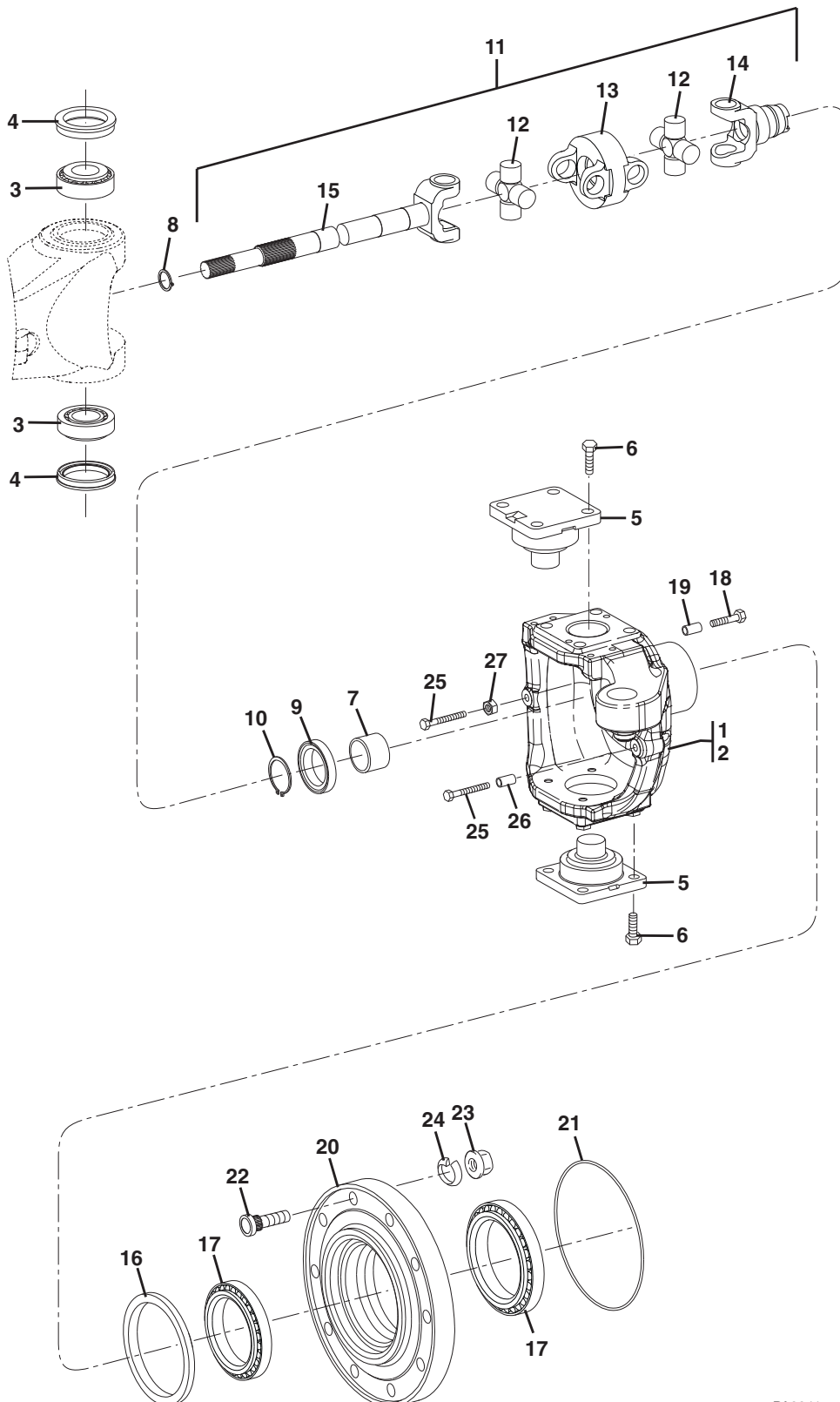
Item	Part Number	Qty.	Description	Rev.



DRIVE TRAIN

8042 S/N 0160038967 & After excluding 0160038971 & 0160038984
10042 S/N 0160038368 & After excluding 0160038375, 0160038378,
0160038379, 0160038381 & 0160038383
10054 S/N 0160038740 & After including 0160021270, 0160036713,
0160036715, 0160036721 & 0160036723

Figure 5-16 Rear Axle - Joint Housing



PA3341

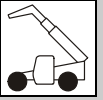


Figure 5-16 Rear Axle - Joint Housing

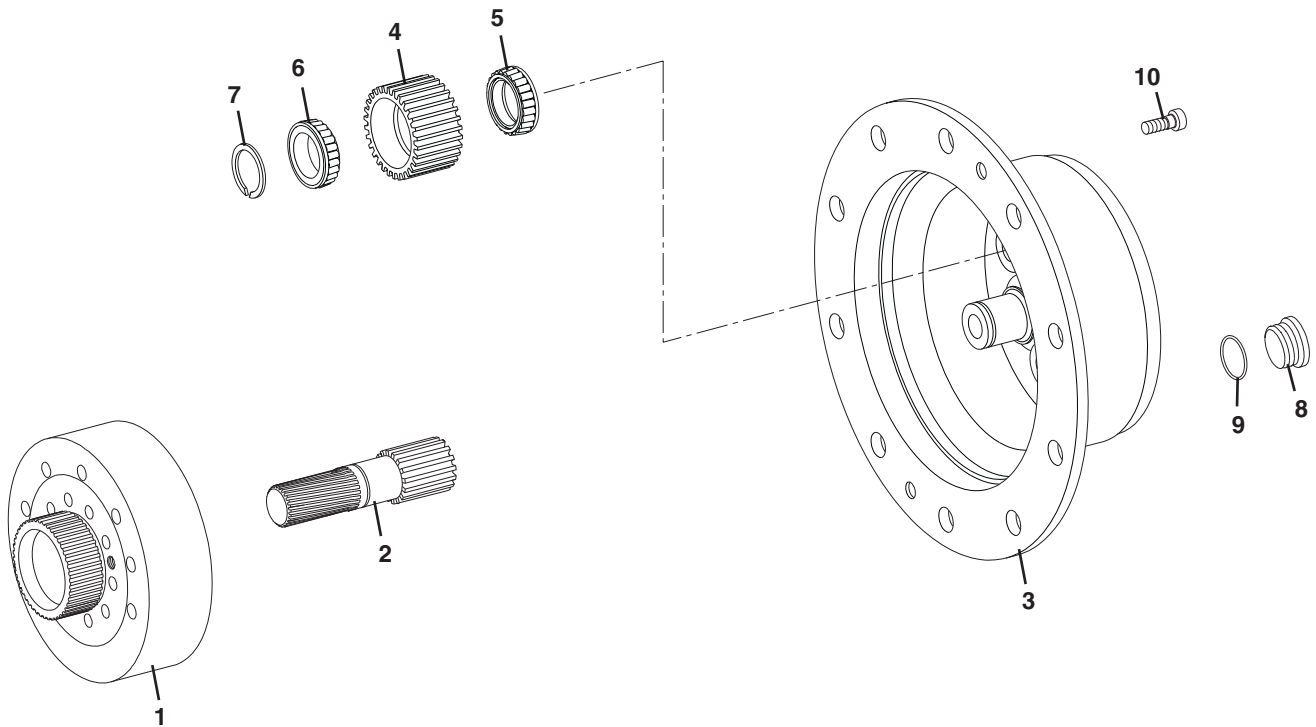
Item	Part Number	Qty.	Description	Rev.
1	70022237	1	JOINT HOUSING, (right side)	
2	70022238	1	JOINT HOUSING, (left side)	
3	70022223	4	ROLLER BEARING	
4	1319447	4	SHAFT SEAL	
5	70022240	4	BEARING PIN	
6	1319464	16	HEX SCREW, M16X40	
7	70022179	2	BUSHING	
8	10731789	2	RETAINING RING	
9	70022218	2	SHAFT SEAL	
10	1321226	2	RETAINING RING	
11	70022781	2	UNIVERSAL COUPLING DRIVE SHAFT ASSY, (8042) , (includes items 12 thru 15)	
	70022170	2	UNIVERSAL COUPLING DRIVE SHAFT ASSY, (10042 & 10054) , (includes items 12 thru 15)	
12	70021554	2	JOINT CROSS	
13	70022782	1	CENTRAL PIECE, (8042)	
	70021553	1	CENTRAL PIECE, (10042 & 10054)	
14	70022187	1	FORK SHAFT	
15	70022188	1	FORK SHAFT	
16	80304173	2	SHAFT SEAL	
17	1319472	4	ROLLER BEARING	
18	70023405	16	HEX SCREW, (8042)	
	70022208	16	HEX SCREW, M14X70, (10042 & 10054)	
19	70022234	16	CENTERING BUSHING	
20	70022249	2	HUB	
21	70022203	2	O-RING	
22	70022230	20	WHEEL BOLT	
23		Ref	WHEEL NUT, (see Figure 5-1 for details)	
24		Ref	SPRING WASHER, (see Figure 5-1 for details)	
25	8036330	4	STOP SCREW, M14X1.5	
26	70022257	2	SPACER TUBE, (8042)	
	70022276	2	SPACER TUBE, (10042 & 10054)	
27	1319477	2	HEX NUT, M14X1.5	



DRIVE TRAIN

8042 Before S/N 0160038967 including 0160038971 & 0160038984
10042 Before S/N 0160038368 including 0160038375, 0160038378,
0160038379, 0160038381 & 0160038383
10054 Before S/N 0160038740 excluding 0160021270, 0160036713,
0160036715, 0160036721 & 0160036723

Figure 5-17 Rear Axle - Planetary Drive



8042 Before S/N 0160038967 including 0160038971 & 0160038984
 10042 Before S/N 0160038368 including 0160038375, 0160038378,
 0160038379, 0160038381 & 0160038383
 10054 Before S/N 0160038740 excluding 0160021270, 0160036713,
 0160036715, 0160036721 & 0160036723

DRIVE TRAIN

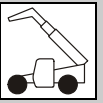


Figure 5-17 Rear Axle - Planetary Drive

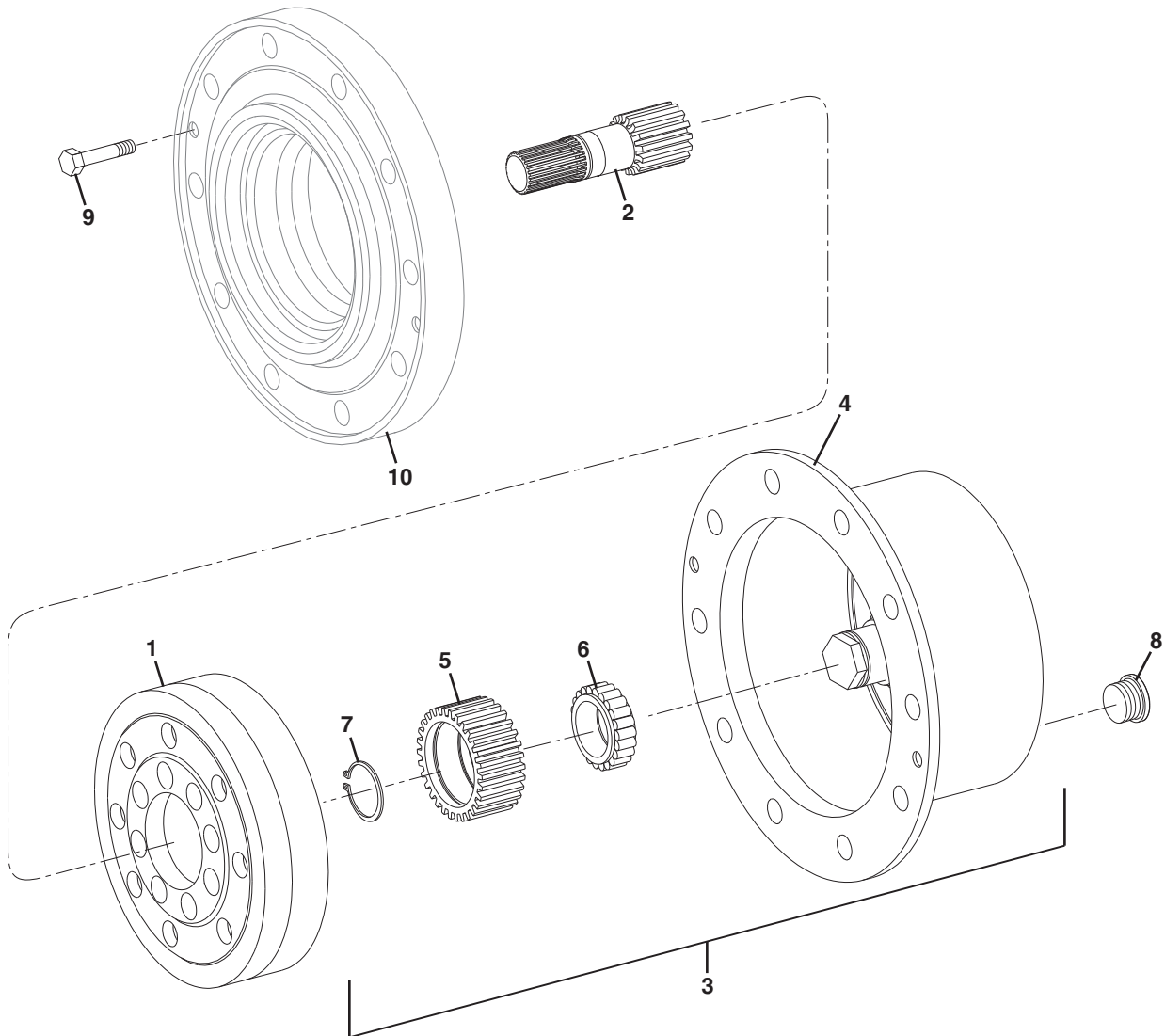
Item	Part Number	Qty.	Description	Rev.
1	1321247	2	RING GEAR	
2	1321242	2	SUN GEAR SHAFT	
3	1321238	2	PLANETARY CARRIER, (8042 S/N 13198 thru 19987 & 0160002332 thru 0160038966), (10042 S/N 13198 thru 17977), (10054 S/N 13204 thru 17974)	
	8036414	2	PLANETARY CARRIER, (10042 S/N 17978 thru 19987 & 0160002332 & After), (10054 S/N 17975 thru 19987 & 0160002332 & After)	
4	1321231	6	PLANETARY GEAR, (for planetary carrier, 1321238)	
	1321231	8	PLANETARY GEAR, (for planetary carrier, 8036414)	
5	1319483	6	BEARING INNER RING, (for planetary carrier, 1321238)	
	1319483	8	BEARING INNER RING, (for planetary carrier, 8036414)	
6	1319484	6	BEARING INNER RING, (for planetary carrier, 1321238)	
	1319484	8	BEARING INNER RING, (for planetary carrier, 8036414)	
7	1319485	6	SNAP RING, (for planetary carrier, 1321238)	
	1319485	8	SNAP RING, (for planetary carrier, 8036414)	
8	1319506	2	SCREW PLUG	
9	8036331	2	O-RING	
10	8035977	4	CAPSCREW	



DRIVE TRAIN

8042 S/N 0160038967 & After excluding 0160038971 & 0160038984
10042 S/N 0160038368 & After excluding 0160038375, 0160038378,
0160038379, 0160038381 & 0160038383
10054 S/N 0160038740 & After including 0160021270, 0160036713,
0160036715, 0160036721 & 0160036723

Figure 5-17 Rear Axle - Planetary Drive



PA3351

8042 S/N 0160038967 & After excluding 0160038971 & 0160038984
 10042 S/N 0160038368 & After excluding 0160038375, 0160038378,
 0160038379, 0160038381 & 0160038383
 10054 S/N 0160038740 & After including 0160021270, 0160036713,
 0160036715, 0160036721 & 0160036723

DRIVE TRAIN

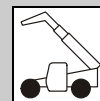


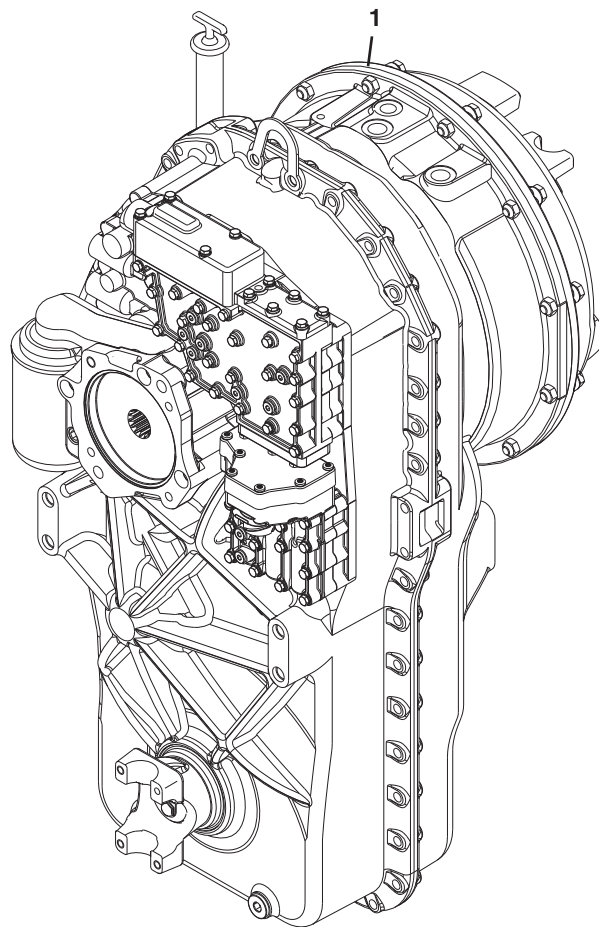
Figure 5-17 Rear Axle - Planetary Drive

Item	Part Number	Qty.	Description	Rev.
1	70022242	1	RING GEAR	
2	70022784	2	SUN GEAR SHAFT, (8042)	
	70022239	2	SUN GEAR SHAFT, (10042 & 10054)	
3	70022281	2	PLANETARY CARRIER ASSY, (includes items 4 thru 7)	
4	70022283	1	PLANETARY CARRIER	
5	70022243	3	PLANETARY GEAR	
6	70022785	4	CYL. ROLLER BEARING, (8042)	
	70022221	4	CYL. ROLLER BEARING, (10042 & 10054)	
7	70022197	4	RETAINING RING	
8	70023404	2	SCREW PLUG, (8042)	
	1319578	2	SCREW PLUG, (10042 & 10054)	
9	70022207	4	HEX SCREW, M12X30	
10		Ref	HUB, (see Figure 5-16 for details)	



DRIVE TRAIN

Figure 5-18 ZF Transmission



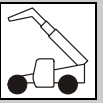


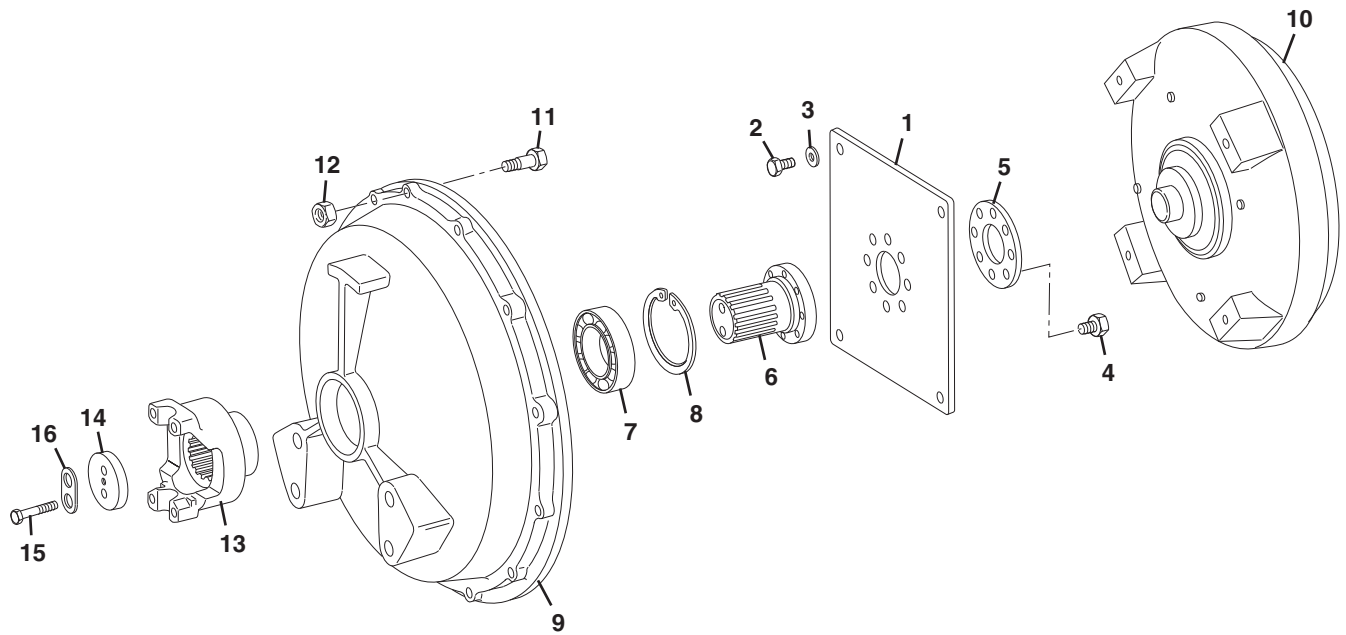
Figure 5-18 ZF Transmission

Item	Part Number	Qty.	Description	Rev.
1	8841036	1	TRANSMISSION, 4WG98-TC Ref ENGINE CONNECTION & CONVERTER, (see Figure 5-19 for details) Ref INPUT SHAFTS, (see Figure 5-20 for details) Ref GEARBOX HOUSING, (see Figure 5-21 for details) Ref COUPLING GROUP 1, (see Figure 5-22 for details) Ref COUPLING GROUP 2, (see Figure 5-23 for details) Ref COUPLING GROUP 3, (see Figure 5-24 for details) Ref COUPLING GROUP 4, (see Figure 5-25 for details) Ref REVERSING GEAR GROUP 1, (see Figure 5-26 for details) Ref REVERSING GEAR GROUP 2, (see Figure 5-27 for details) Ref OUTPUT, (see Figure 5-28 for details) Ref CONTROL UNIT, (see Figure 5-29 for details) Ref VALVE HOUSING ASSY, (see Figure 5-30 for details) Ref VALVE BLOCK ASSY, (see Figure 5-31 for details) Ref OIL PUMP & FILTER, (see Figure 5-32 for details)	



DRIVE TRAIN

Figure 5-19 ZF Transmission - Engine Connection & Converter



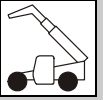
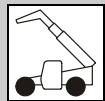


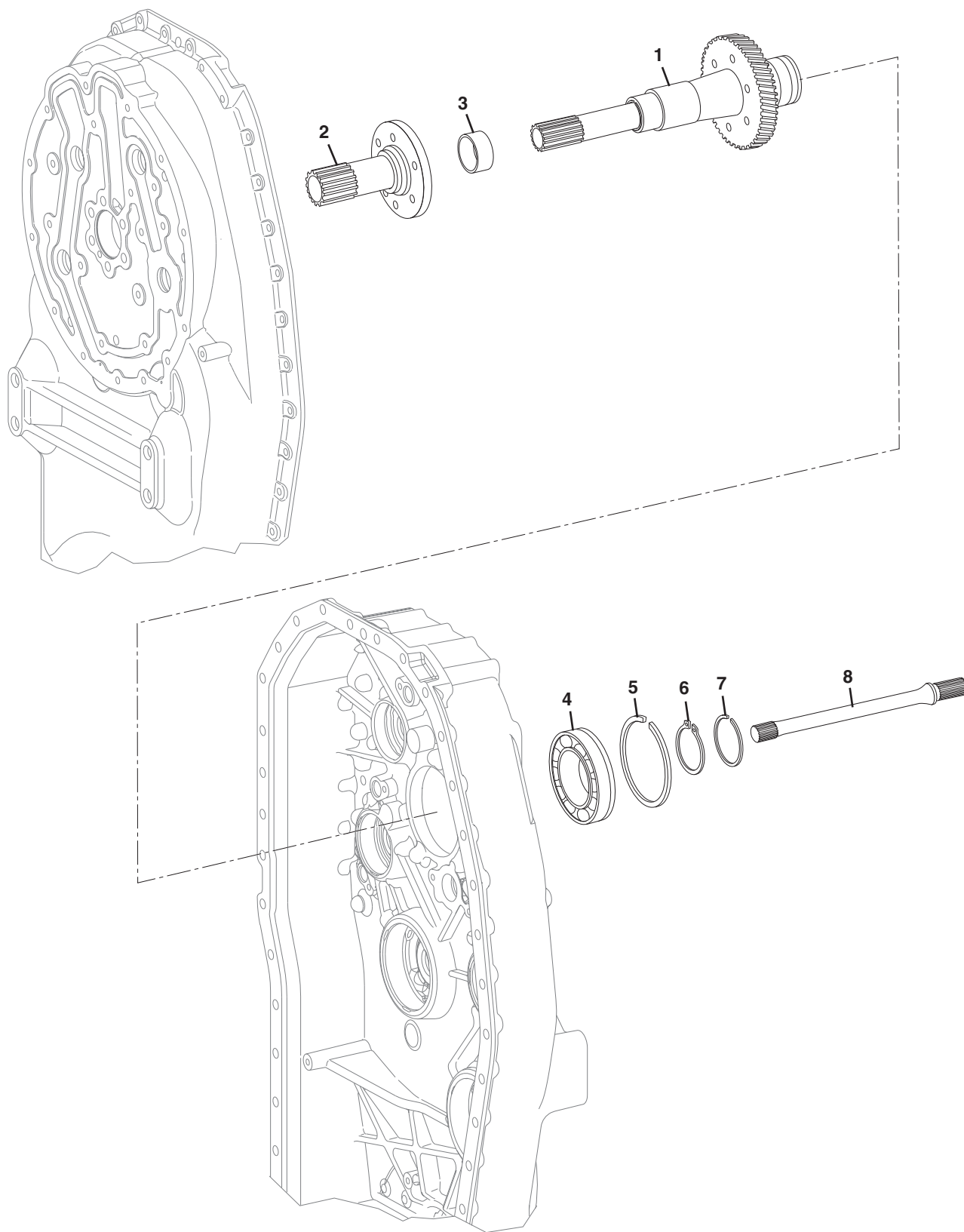
Figure 5-19 ZF Transmission - Engine Connection & Converter

Item	Part Number	Qty.	Description	Rev.
1	1319203	1	DIAPHRAGM	
2	1319204	4	HEX HD CAPSCREW, M10X18mm	
3	10732095	4	WASHER, 10.5	
4	10731702	8	HEX HD CAPSCREW, M10X16mm	
5	1319213	1	WASHER	
6	1319212	1	INPUT SHAFT, (Before Transmission S/N 152496)	
	70023482	1	INPUT SHAFT, (Transmission S/N 152496 & After)	
7	1319209	1	BALL BEARING	
8	1319210	1	RETAINING RING	
9	8036021	1	COVER	
10	8036022	1	CONVERTER	
11	10731748	12	HEX HD CAPSCREW, M10X45mm	
12	10731751	12	HEX NUT, M10	
13	1319211	1	END YOKE	
14	1319205	1	WASHER	
15	1319206	2	HEX HD CAPSCREW, M8X50mm, (Before Transmission S/N 152496)	
	70023483	2	HEX HD CAPSCREW, (Transmission S/N 152496 & After)	
16	1319207	1	TAB WASHER, (Before Transmission S/N 152496)	



DRIVE TRAIN

Figure 5-20 ZF Transmission - Input Shafts



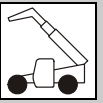
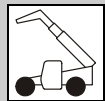


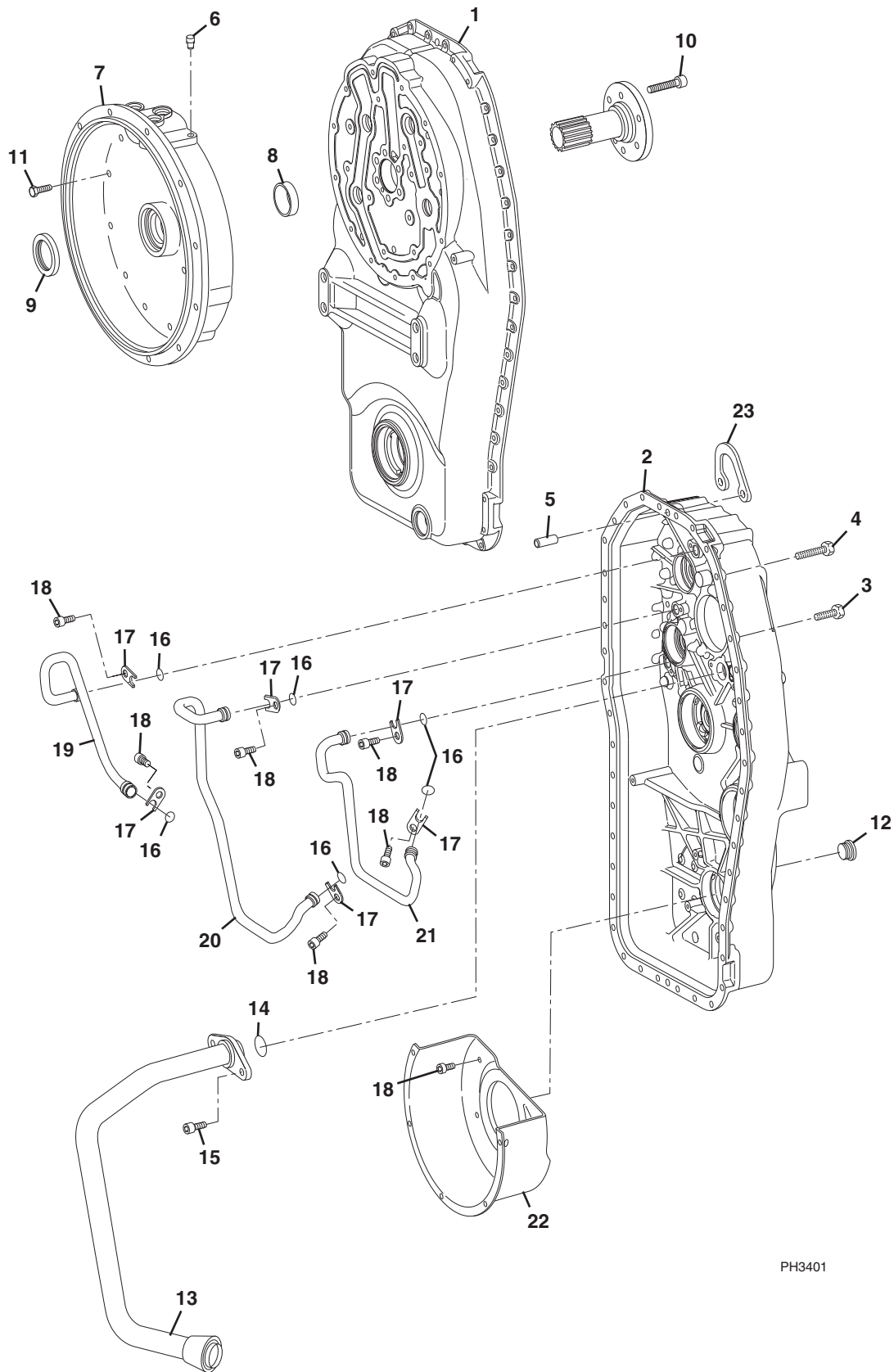
Figure 5-20 ZF Transmission - Input Shafts

Item	Part Number	Qty.	Description	Rev.
1	8036023	1	TURBINE SHAFT	
2	1319557	1	STATOR SHAFT	
3	1319558	1	BEARING BUSHING	
4	1319563	1	BALL BEARING	
5	10731913	1	SNAP RING	
6	80304405	1	RETAINING RING, 55X2	
7	1319565	1	PISTON RING, 55X3	
8	1319566	1	CENTRAL SHAFT	



DRIVE TRAIN

Figure 5-21 ZF Transmission - Gearbox Housing



PH3401

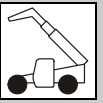
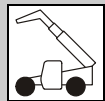


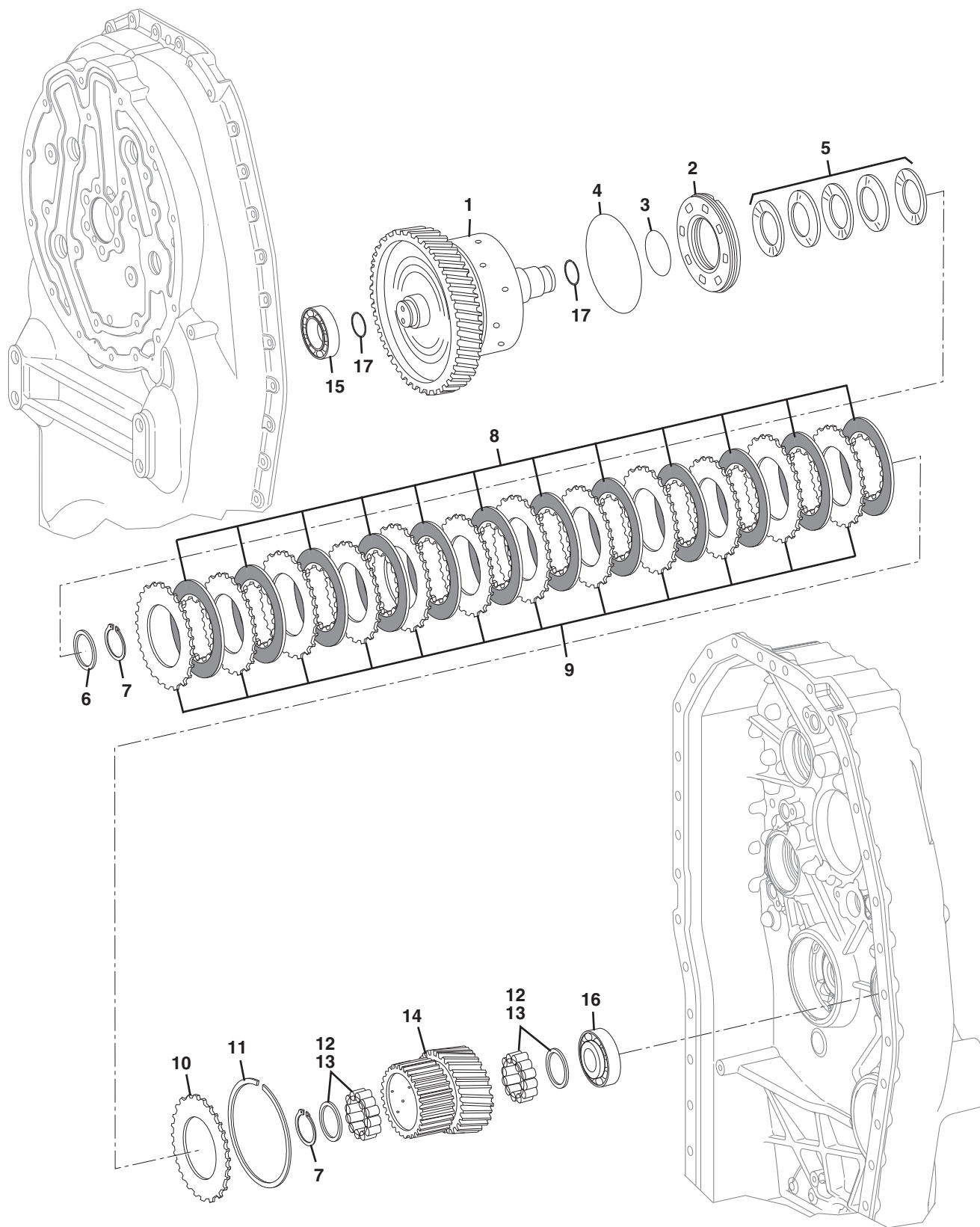
Figure 5-21 ZF Transmission - Gearbox Housing

Item	Part Number	Qty.	Description	Rev.
1	8036024	1	HOUSING I	
2	8036025	1	HOUSING II	
3	1319569	36	HEX HD CAPSCREW, M10X30mm	
4	1319570	6	HEX HD CAPSCREW, M10X50mm	
5	1319571	2	CYLINDRICAL PIN, M6X24mm	
6	10731744	1	BREATHER	
7	1319574	1	CONVERTER BELL	
8	1319575	1	BEARING BUSHING	
9	1319576	1	SHAFT SEAL	
10	1319577	6	SOCKET HD CAPSCREW, M10X50mm	
11	1319569	23	HEX HD CAPSCREW, M10X30mm	
12	1319578	1	DRAIN PLUG, 7/8-14	
13	8036026	1	OIL SUCTION PIPE	
14	70023885	1	O-RING	
15	1319582	2	SOCKET HD CAPSCREW, M8X20mm	
16	1319583	6	O-RING	
17	1319584	6	FIXING PLATE	
18	1319585	11	SOCKET HD CAPSCREW, M8X16mm	
19	1319586	1	PIPE	
20	1319587	1	PIPE	
21	8036027	1	PIPE	
22	8036028	1	SCREEN SHEET	
23	1319590	1	BRACKET	



DRIVE TRAIN

Figure 5-22 ZF Transmission - Coupling Group 1



PH3410

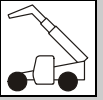


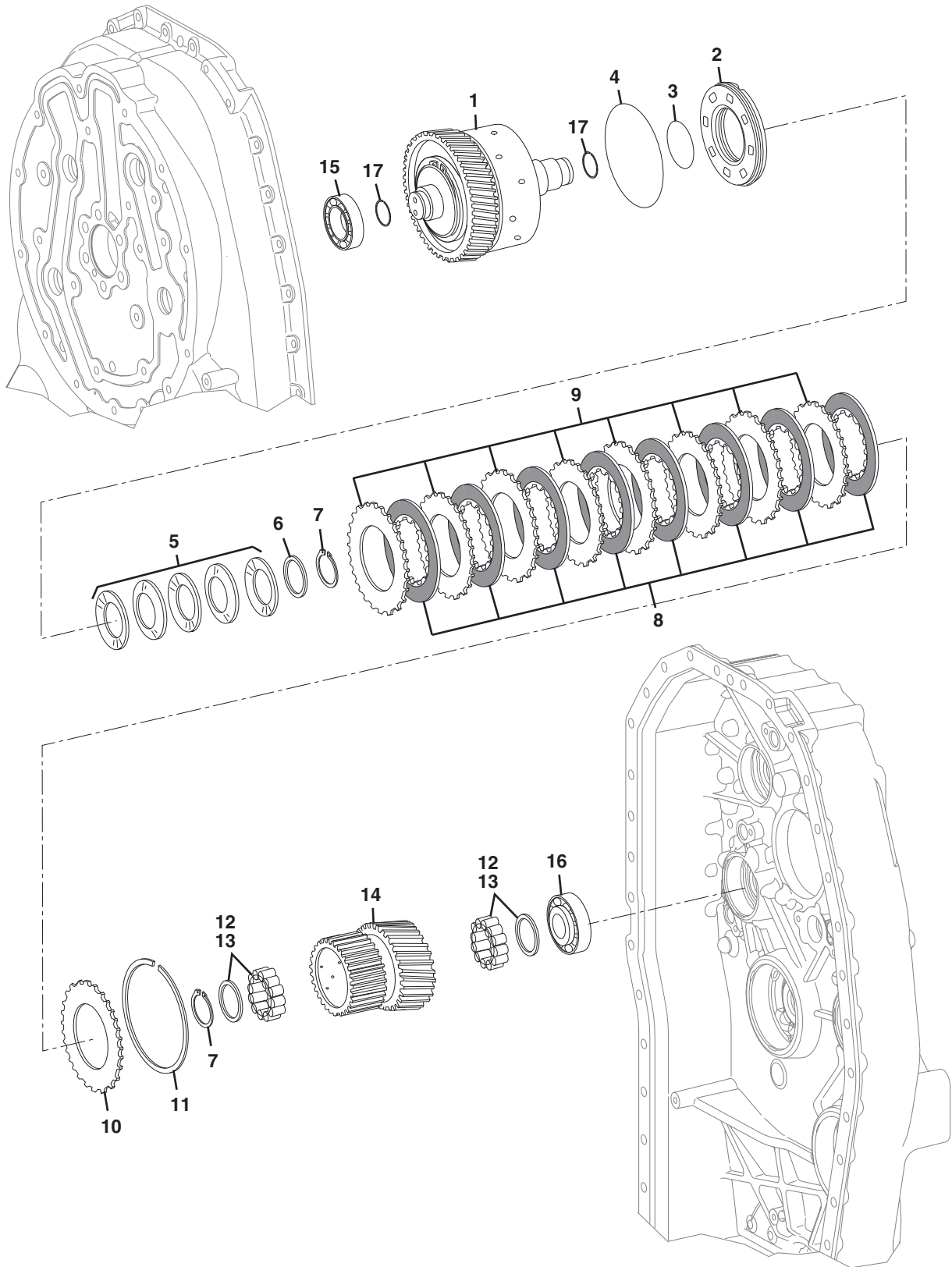
Figure 5-22 ZF Transmission - Coupling Group 1

Item	Part Number	Qty.	Description	Rev.
1	1319591	1	COUPLING	
2	1319592	1	PISTON	
3	1319593	1	O-RING	
4	1319594	1	O-RING	
5	1319595	5	CUP SPRING	
6	1319596	1	SHIM, 2	
7	10731845	2	RETAINING RING	
8	7026758	12	LIN. CLUTCH DISC	
9	7026759	12	O. CLUTCH DISC	
10	7026760	1	END SHIM	
11	1319600	1	SNAP RING, 4	
	1319601	1	SNAP RING, 3.5	
	1319602	1	SNAP RING, 3	
	1319603	1	SNAP RING, 2.5	
	1319604	1	SNAP RING, 2	
12	1319605	2	ROLLER CAGE	
13	1319606	2	ROLLER CAGE	
14	1319607	1	DISC CARRIER	
15	1319608	1	ROLLER BEARING	
16	1319609	1	ROLLER BEARING	
	1319610	1	ROLLER BEARING	
	1319611	1	ROLLER BEARING	
17	1319612	2	PISTON RING, 30X2	



DRIVE TRAIN

Figure 5-23 ZF Transmission - Coupling Group 2



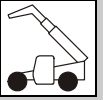


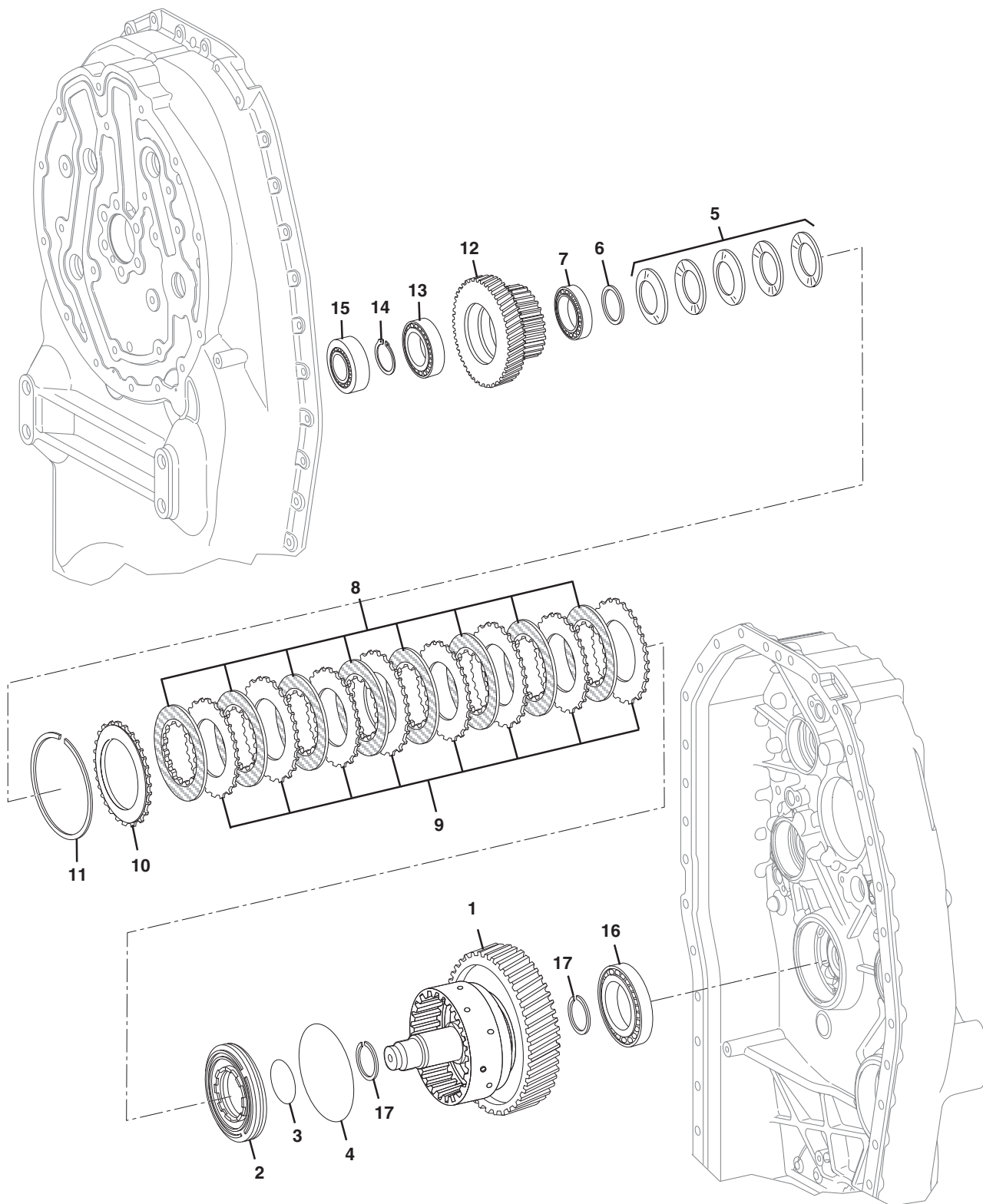
Figure 5-23 ZF Transmission - Coupling Group 2

Item	Part Number	Qty.	Description	Rev.
1	1319613	1	COUPLING	
2	8036029	1	PISTON	
3	1319593	1	O-RING	
4	1319594	1	O-RING	
5	1319595	5	CUP SPRING	
6	1319596	1	SHIM, 2	
7	10731845	2	RETAINING RING, 40X1.75	
8	7026758	8	LIN. CLUTCH DISC	
9	7026759	8	O. CLUTCH DISC	
10	7026760	1	END SHIM	
11	1319600	1	SNAP RING, 4	
	1319601	1	SNAP RING, 3.5	
	1319602	1	SNAP RING, 3	
	1319603	1	SNAP RING, 2.5	
	1319604	1	SNAP RING, 2	
12	1319605	2	ROLLER CAGE	
13	1319606	2	ROLLER CAGE	
14	1319614	1	DISC CARRIER	
15	1319615	1	ROLLER BEARING	
16	8036190	1	ROLLER BEARING ASSY	
	7029532	1	OUTER RING	
	7029533	1	INNER RING	
17	1319612	2	PISTON RING, 30X2	



DRIVE TRAIN

Figure 5-24 ZF Transmission - Coupling Group 3



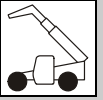


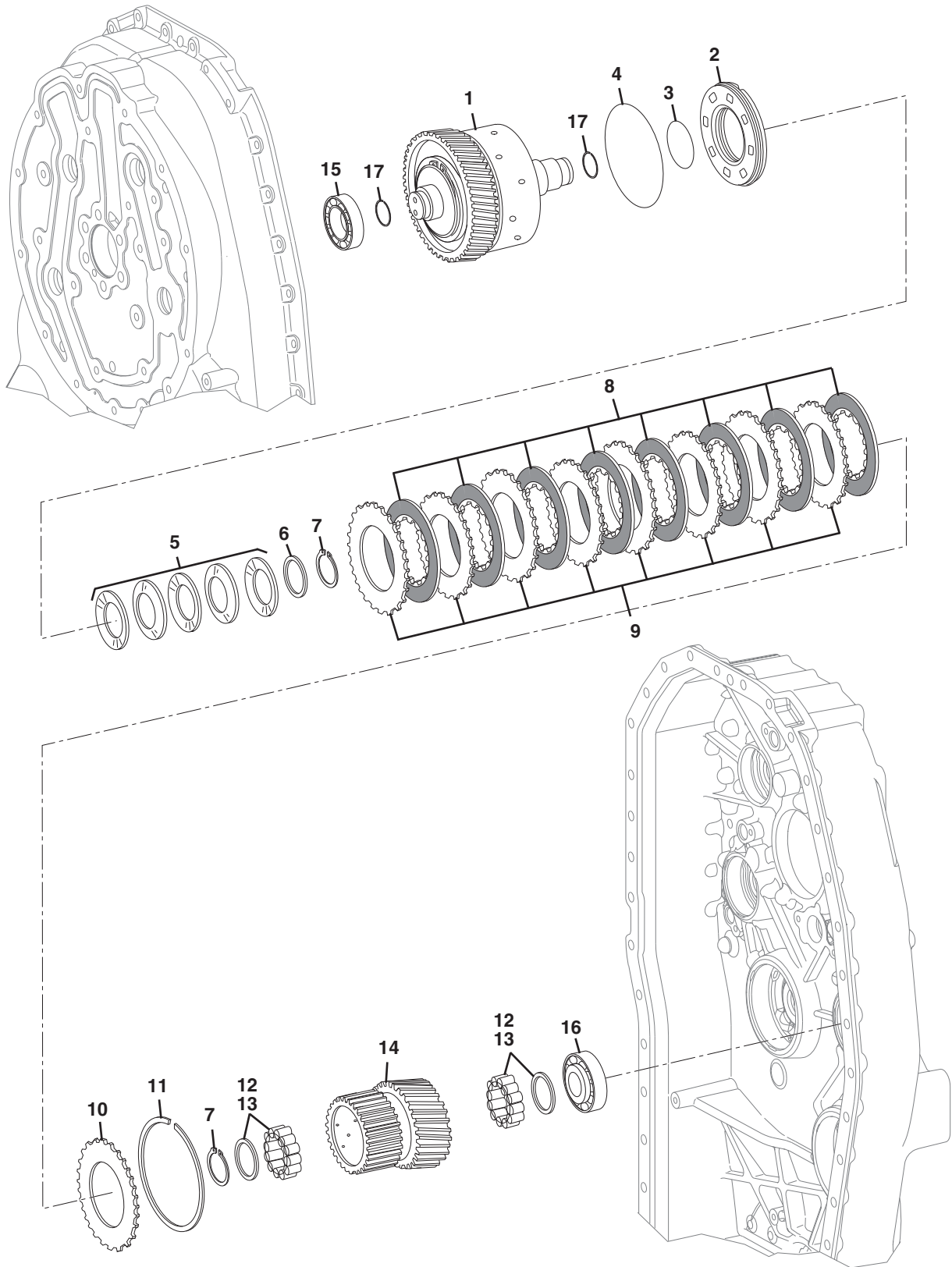
Figure 5-24 ZF Transmission - Coupling Group 3

Item	Part Number	Qty.	Description	Rev.
1	1319616	1	COUPLING	
2	8036029	1	PISTON	
3	1319593	1	O-RING	
4	1319594	1	O-RING	
5	1319595	5	CUP SPRING	
6	1319617	1	SUPPORT SHIM	
7	1319618	1	ROLLER BEARING	
8	7026758	8	LIN. CLUTCH DISC	
9	7026759	8	O. CLUTCH DISC	
10	7026760	1	END SHIM	
11	1319600	1	SNAP RING, 4	
	1319601	1	SNAP RING, 3.5	
	1319602	1	SNAP RING, 3	
	1319603	1	SNAP RING, 2.5	
	1319604	1	SNAP RING, 2	
12	1319619	1	DISC CARRIER	
13	1319620	1	ROLLER BEARING	
14	1319621	1	RETAINING RING, 3.2	
	1319622	1	RETAINING RING, 3.1	
	1319623	1	RETAINING RING, 3	
	1319624	1	RETAINING RING, 2.9	
	1319625	1	RETAINING RING, 2.8	
	1319626	1	RETAINING RING, 2.7	
	1319627	1	RETAINING RING, 2.6	
	1319628	1	RETAINING RING, 38X2.5	
	1319629	1	RETAINING RING, 38X2.4	
	1319630	1	RETAINING RING, 38X2.3	
	1319631	1	RETAINING RING, 38X2.2	
	1319632	1	RETAINING RING, 38X2.1	
15	8036190	1	ROLLER BEARING ASSY	
	7029532	1	OUTER RING	
	7029533	1	INNER RING	
16	1319633	1	ROLLER BEARING	
17	1319612	2	PISTON RING, 30X2	



DRIVE TRAIN

Figure 5-25 ZF Transmission - Coupling Group 4



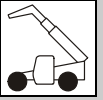


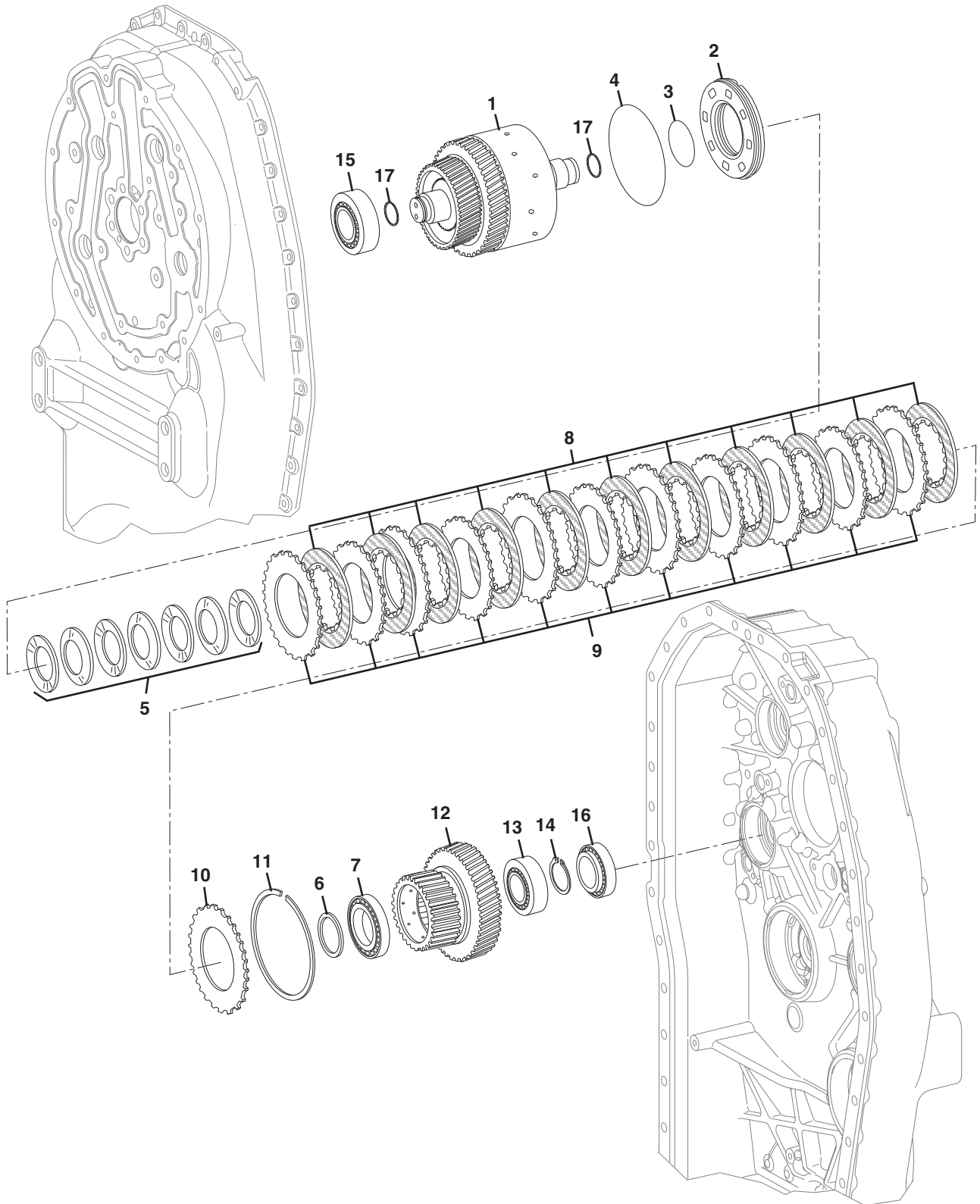
Figure 5-25 ZF Transmission - Coupling Group 4

Item	Part Number	Qty.	Description	Rev.
1	1319634	1	COUPLING	
2	8036029	1	PISTON	
3	1319593	1	O-RING	
4	1319594	1	O-RING	
5	1319595	5	CUP SPRING	
6	1319596	1	SHIM, 2	
7	10731845	2	RETAINING RING, 40X1.75	
8	7026758	8	LIN CLUTCH DISC	
9	7026759	8	O CLUTCH DISC	
10	1319599	1	END SHIM	
11	1319600	1	SNAP RING, 4	
	1319601	1	SNAP RING, 3.5	
	1319602	1	SNAP RING, 3	
	1319603	1	SNAP RING, 2.5	
	1319604	1	SNAP RING, 2	
12	1319605	2	ROLLER CAGE	
13	1319606	2	ROLLER CAGE	
14	1319635	1	DISC CARRIER	
15	1319615	1	ROLLER BEARING	
16	1319636	1	ROLLER BEARING	
17	1319612	2	PISTON RING, 30X2	



DRIVE TRAIN

Figure 5-26 ZF Transmission - Reversing Gear Group 1



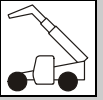
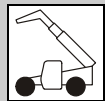


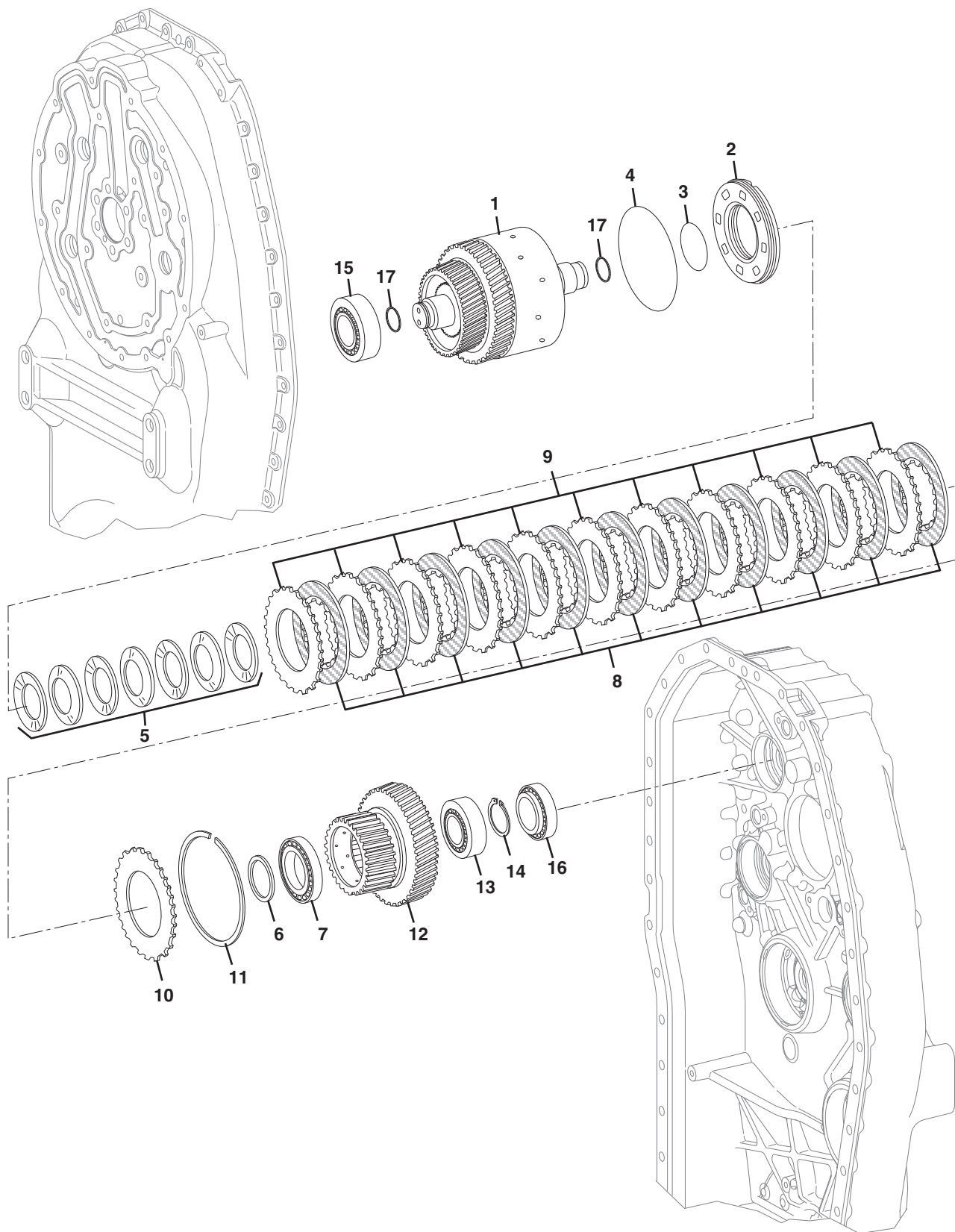
Figure 5-26 ZF Transmission - Reversing Gear Group 1

Item	Part Number	Qty.	Description	Rev.
1	1319637	1	COUPLING	
2	8036029	1	PISTON	
3	1319593	1	O-RING	
4	1319594	1	O-RING	
5	1319595	7	CUP SPRING	
6	1319617	1	SUPPORT SHIM	
7	1319618	1	ROLLER BEARING	
8	7026758	11	LIN CLUTCH DISC	
9	7026759	11	O CLUTCH DISC	
10	1319599	1	END SHIM	
11	1319600	1	SNAP RING, 4	
	1319601	1	SNAP RING, 3.5	
	1319602	1	SNAP RING, 3	
	1319603	1	SNAP RING, 2.5	
	1319604	1	SNAP RING, 2	
12	1319638	1	DISC CARRIER	
13	1319620	1	ROLLER BEARING	
14	1319621	1	RETAINING RING, 3.2	
	1319622	1	RETAINING RING, 3.1	
	1319623	1	RETAINING RING, 3	
	1319624	1	RETAINING RING, 2.9	
	1319625	1	RETAINING RING, 2.8	
	1319626	1	RETAINING RING, 2.7	
	1319627	1	RETAINING RING, 2.6	
	1319628	1	RETAINING RING, 2.5	
	1319629	1	RETAINING RING, 2.4	
	1319630	1	RETAINING RING, 2.3	
	1319631	1	RETAINING RING, 2.2	
	1319632	1	RETAINING RING, 2.1	
15	1319615	1	ROLLER BEARING	
16	1319636	1	ROLLER BEARING	
17	1319612	2	PISTON RING, 30X2	



DRIVE TRAIN

Figure 5-27 ZF Transmission - Reversing Gear Group 2



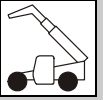
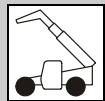


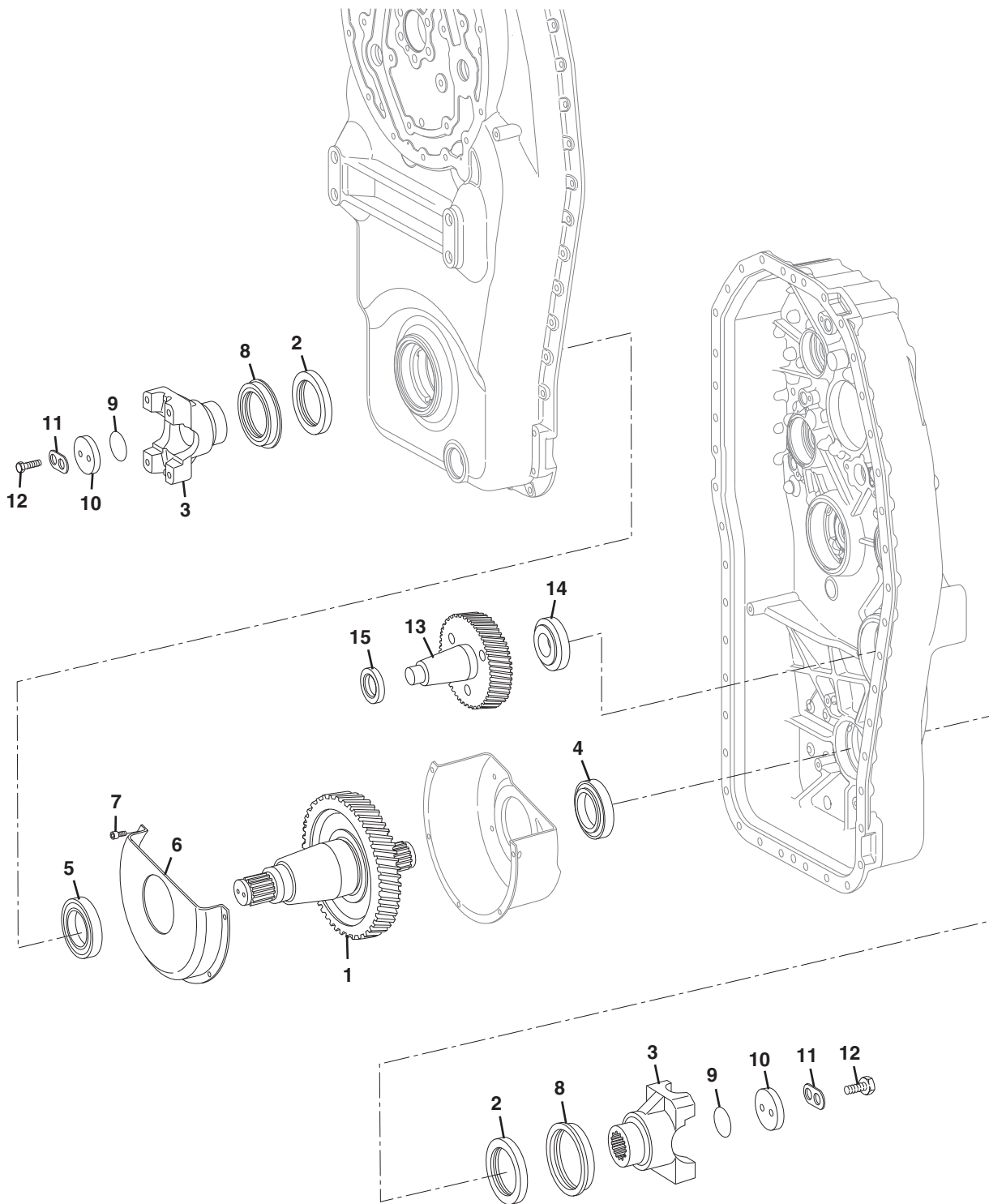
Figure 5-27 ZF Transmission - Reversing Gear Group 2

Item	Part Number	Qty.	Description	Rev.
1	1319639	1	COUPLING	
2	8036029	1	PISTON	
3	1319593	1	O-RING	
4	1319594	1	O-RING	
5	1319595	7	CUP SPRING	
6	1319617	1	SUPPORT SHIM	
7	1319618	1	ROLLER BEARING	
8	7026758	11	LIN CLUTCH DISC	
9	7026759	11	O CLUTCH DISC	
10	1319599	1	END SHIM	
11	1319600	1	SNAP RING, 4	
	1319601	1	SNAP RING, 3.5	
	1319602	1	SNAP RING, 3	
	1319603	1	SNAP RING, 2.5	
	1319604	1	SNAP RING, 2	
12	1319638	1	DISC CARRIER	
13	1319620	1	ROLLER BEARING	
14	1319621	1	RETAINING RING, 3.2	
	1319622	1	RETAINING RING, 3.1	
	1319623	1	RETAINING RING, 3	
	1319624	1	RETAINING RING, 2.9	
	1319625	1	RETAINING RING, 2.8	
	1319626	1	RETAINING RING, 2.7	
	1319627	1	RETAINING RING, 2.6	
	1319628	1	RETAINING RING, 2.5	
	1319629	1	RETAINING RING, 2.4	
	1319630	1	RETAINING RING, 2.3	
	1319631	1	RETAINING RING, 2.2	
	1319632	1	RETAINING RING, 2.1	
15	1319608	1	ROLLER BEARING	
16	1319636	1	ROLLER BEARING	
17	1319612	2	PISTON RING, 30X2	



DRIVE TRAIN

Figure 5-28 ZF Transmission - Output



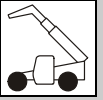
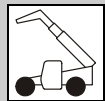


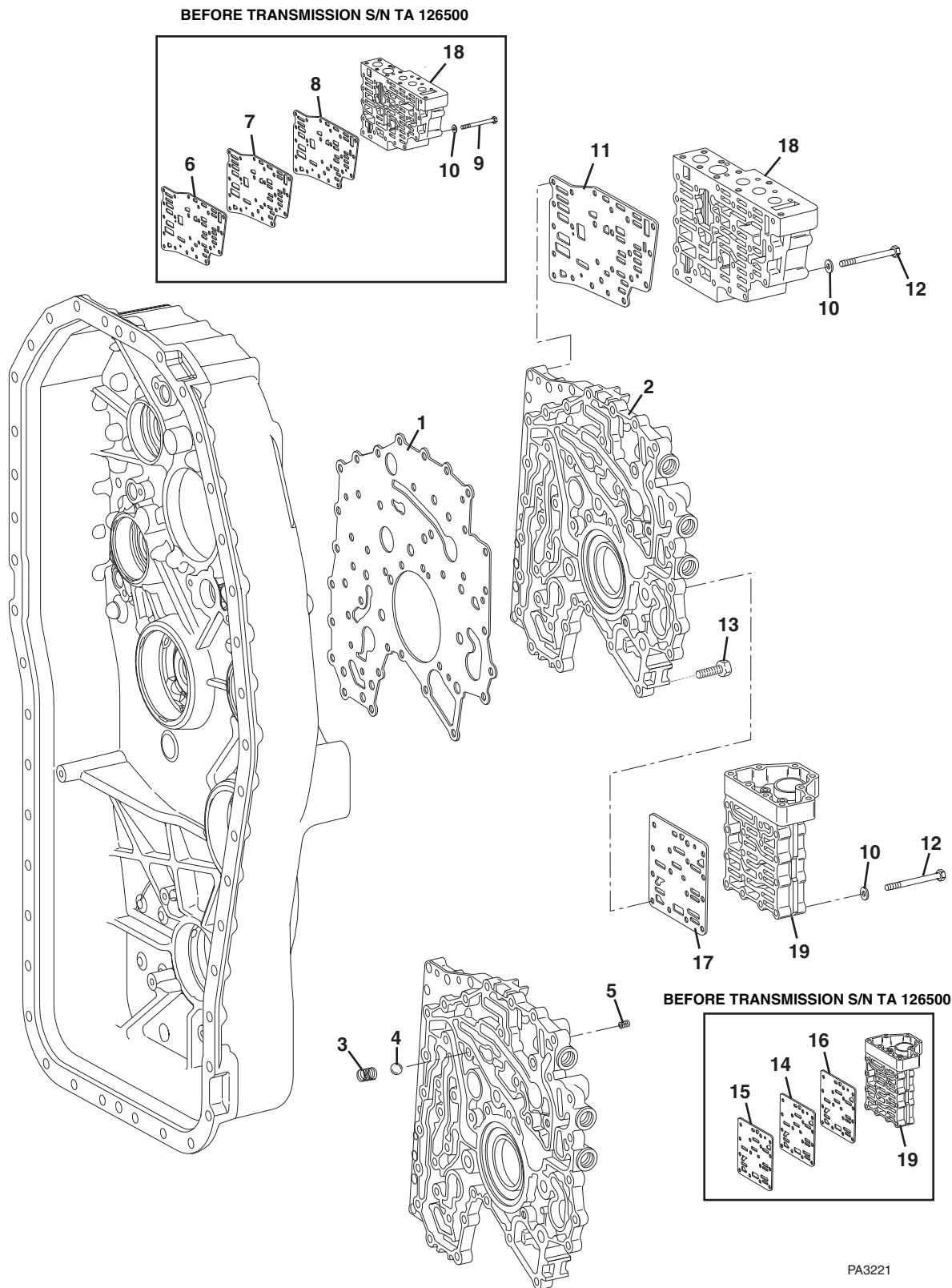
Figure 5-28 ZF Transmission - Output

Item	Part Number	Qty.	Description	Rev.
1	8036030	1	OUTPUT SHAFT	
2	1319641	2	SHAFT SEAL	
3	7027273	2	OUTPUT FLANGE	
4	NSS	1	ROLLER BEARING ASSY	
	70020430	1	CUP	
	70020431	1	CONE	
5	1319643	1	ROLLER BEARING	
6	8036031	1	SCREEN SHEET	
7	1319646	5	HEX HD CAPSCREW, M6X10mm	
8	1319647	2	SCREEN SHEET	
9	10839156	1	O-RING	
10	1319648	2	WASHER, 10	
11	1319649	2	TAB WASHER	
12	10731959	4	HEX HD CAPSCREW, M8X25mm	
13	8036032	1	INTERMEDIATE SHAFT	
14	1319633	1	ROLLER BEARING	
15	8036190	1	ROLLER BEARING ASSY	
	7029532	1	OUTER RING	
	7029533	1	INNER RING	



DRIVE TRAIN

Figure 5-29 ZF Transmission - Control Unit



PA3221

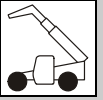
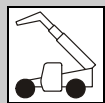


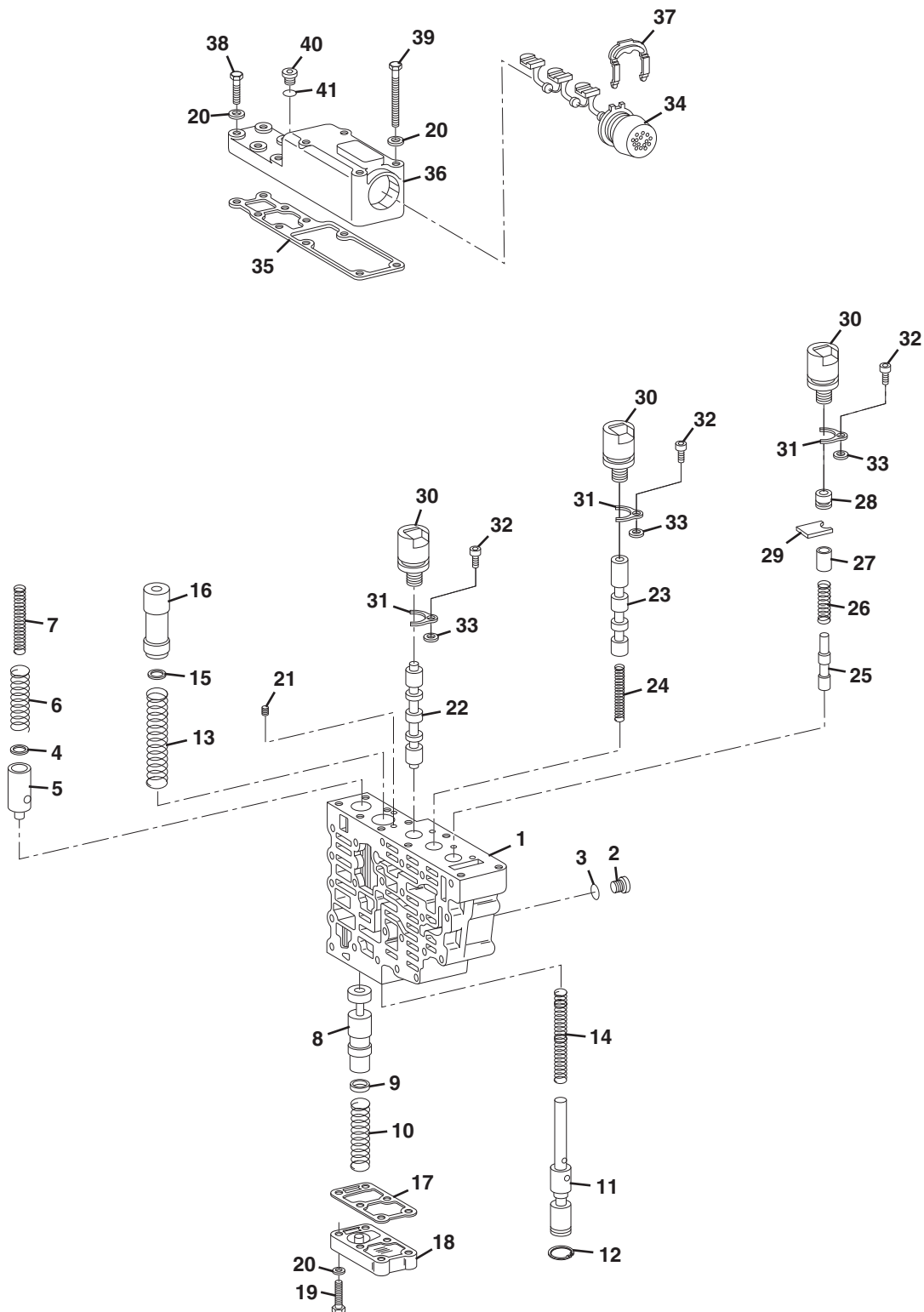
Figure 5-29 ZF Transmission - Control Unit

Item	Part Number	Qty.	Description	Rev.
1	1319650	1	GASKET	
2	8036033	1	DUCT PLATE	
3	10732072	1	COMPRESSION SPRING	
4	10732071	1	BALL	
5	1319652	1	ORIFICE	
6	NLA	Ref	GASKET, (Before transmission S/N TA 126500) , (no longer available, use items 11 & 12)	
7	NLA	Ref	INTERM. SHEET, (Before transmission S/N TA 126500) , (no longer available, use items 11 & 12)	
8	NLA	Ref	GASKET, (Before transmission S/N TA 126500) , (no longer available, use items 11 & 12)	
9	1319662	19	HEX HD CAPSCREW, M6X65mm, (Before transmission S/N TA 126500)	
10	1319661	19	WASHER, 6.4	
11	70020425	1	INTERM. SHEET, (transmission S/N TA 126500 & After)	
12	7029037	19	HEX HD CAPSCREW, M6X60mm, (transmission S/N TA 126500 & After)	
13	1319659	43	TORX SCREW, M8X30mm	
14	8036035	1	GASKET, (Before transmission S/N TA 126500)	
15	7029720	1	INTERM. SHEET, (Before transmission S/N TA 126500)	
16	7029721	1	GASKET, (Before transmission S/N TA 126500)	
17	70020426	1	INTERM. SHEET, (transmission S/N TA 126500 & After)	
18		Ref	VALVE HOUSING, (see Figure 5-30 for details)	
19		Ref	VALVE BLOCK, (see Figure 5-31 for details)	



DRIVE TRAIN

Figure 5-30 ZF Transmission - Valve Housing Assembly



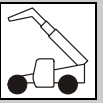


Figure 5-30 ZF Transmission - Valve Housing Assembly

Item	Part Number	Qty.	Description	Rev.
	8036040	1	VALVE HOUSING ASSY, (includes all items)	
1	1319671	1	VALVE HOUSING	
2	1319670	7	SCREW PLUG, M10X1mm	
3	10731709	7	O-RING	
4	8036036	1	WASHER, 1	
5	8036037	1	PISTON	
6	1319673	1	COMPRESSION SPRING	
7	8036038	1	COMPRESSION SPRING	
8	1319674	1	PISTON	
9	1319675	1	WASHER, 3.6	
	1319676	1	WASHER, 3.2	
	1319677	1	WASHER, 2.8	
	1319678	1	WASHER, 2.4	
	1319679	1	WASHER, 2	
10	1319680	1	COMPRESSION SPRING	
11	1319681	1	CONTROL PISTON	
12	1319682	1	LOCKWASHER, 12	
13	1319683	1	COMPRESSION SPRING	
14	1319684	1	COMPRESSION SPRING	
15	1319685	1	WASHER, 2	
	1319686	1	WASHER, 1	
	1319687	1	WASHER, 0.5	
	1319688	1	WASHER, 0.3	
	1319684	1	WASHER, 0.2	
16	1319690	1	PISTON	
17	1319691	1	SEAL	
18	1319692	1	COVER	
19	1319693	6	HEX HD CAPSCREW, M6X25mm	
20	1319661	16	WASHER, 6.4	
21	1319652	1	ORIFICE	
22	1319694	1	VALVE	
23	1319695	1	PISTON	
24	1319696	1	COMPRESSION SPRING	
25	1319697	1	PISTON	
26	1319698	1	COMPRESSION SPRING	
27	1319699	1	SPACER SLEEVE	
28	1319700	1	PLUG	
29	1319701	1	FIXING PLATE	
30	1319702	3	SOLENOID VALVE	
31	10732063	3	FIXING PLATE	
32	1319703	3	HEX HD CAPSCREW, M5X12mm	
33	10732064	3	WASHER, 2	
34	1319704	1	WIRING HARNESS	
35	1319705	1	SEAL	
36	8036039	1	COVER	
37	1319707	1	RETAINING CLAMP	
38	1319693	6	HEX HD CAPSCREW, M6X25mm	
39	1319708	4	HEX HD CAPSCREW, M6X60mm	
40	1319670	1	SCREW PLUG, M10X1mm	



DRIVE TRAIN

Figure 5-30 ZF Transmission - Valve Housing Assembly (Continued)

Item	Part Number	Qty.	Description	Rev.
41	10731709	1	O-RING	

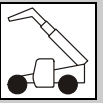


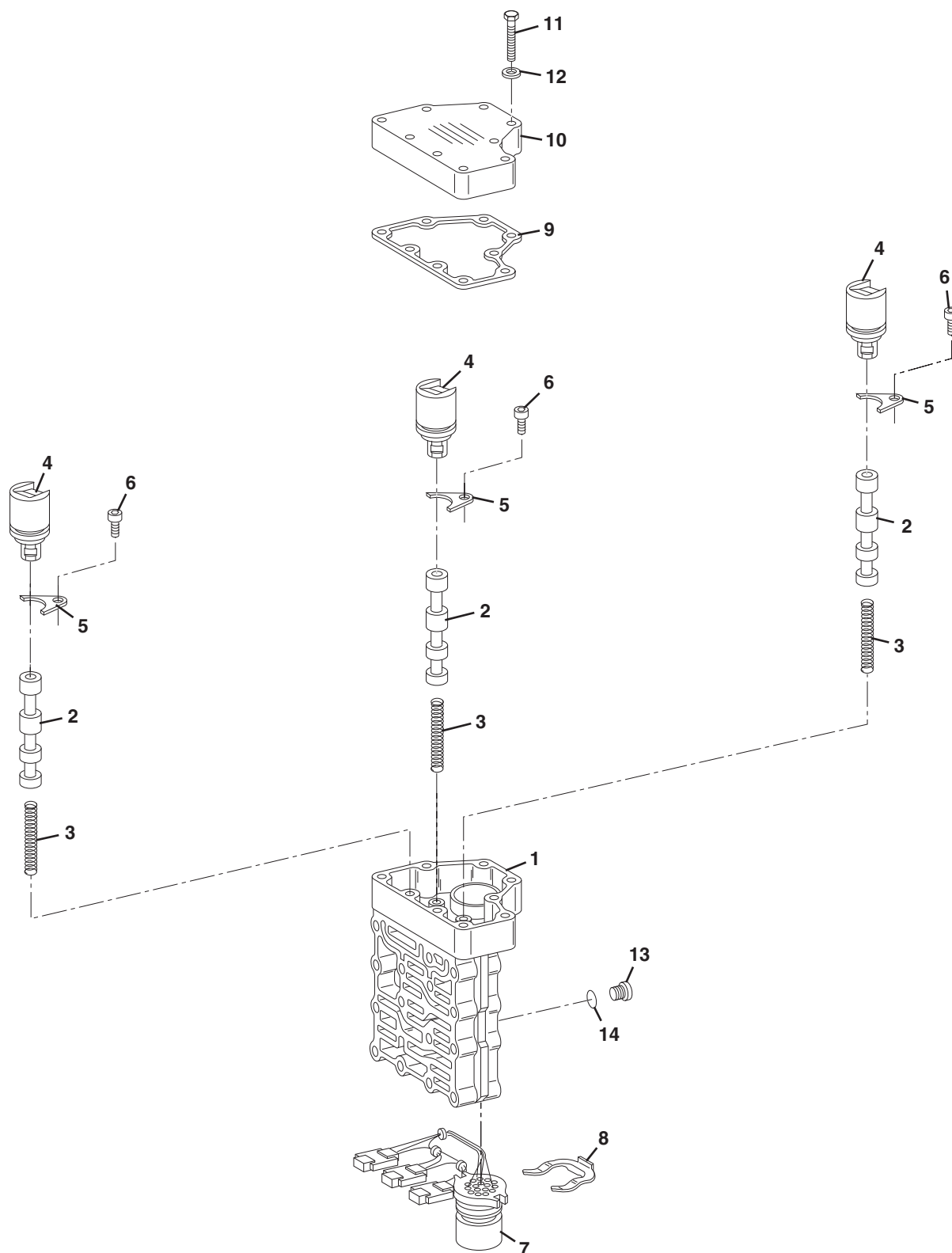
Figure 5-30 ZF Transmission - Valve Housing Assembly (Continued)

Item	Part Number	Qty.	Description	Rev.



DRIVE TRAIN

Figure 5-31 ZF Transmission - Valve Block Assembly



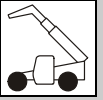


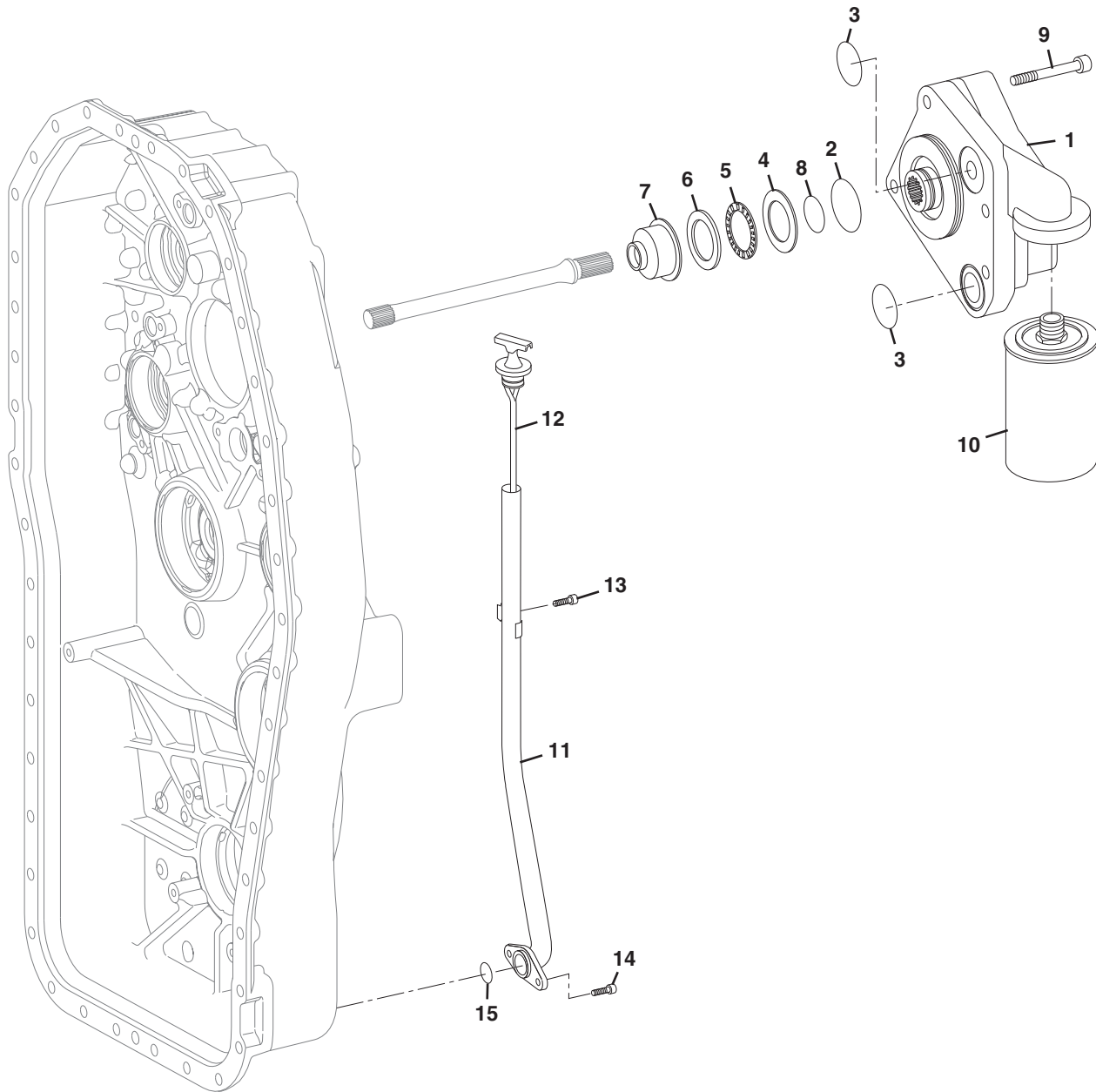
Figure 5-31 ZF Transmission - Valve Block Assembly

Item	Part Number	Qty.	Description	Rev.
	70020427	1	VALVE BLOCK ASSY, (includes all items), (1-piece gasket design)	
1	1319709	1	VALVE BLOCK	
2	1319710	3	PISTON	
3	1319696	3	COMPRESSION SPRING	
4	1319702	3	SOLENOID VALVE	
5	10732063	3	FIXING PLATE	
6	1319703	3	SOCKET HD CAPSCREW, M5X12mm	
7	1319711	1	WIRING HARNESS	
8	1319707	1	RETAINING CLAMP	
9	1319712	1	GASKET	
10	1319713	1	COVER	
11	1319714	9	HEX HD CAPSCREW, M5X32mm	
12	1319715	9	WASHER, 5.3	
13	1319670	3	SCREW PLUG, M10X1mm	
14	10731709	3	O-RING	



DRIVE TRAIN

Figure 5-32 ZF Transmission - Oil Pump & Filter



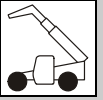


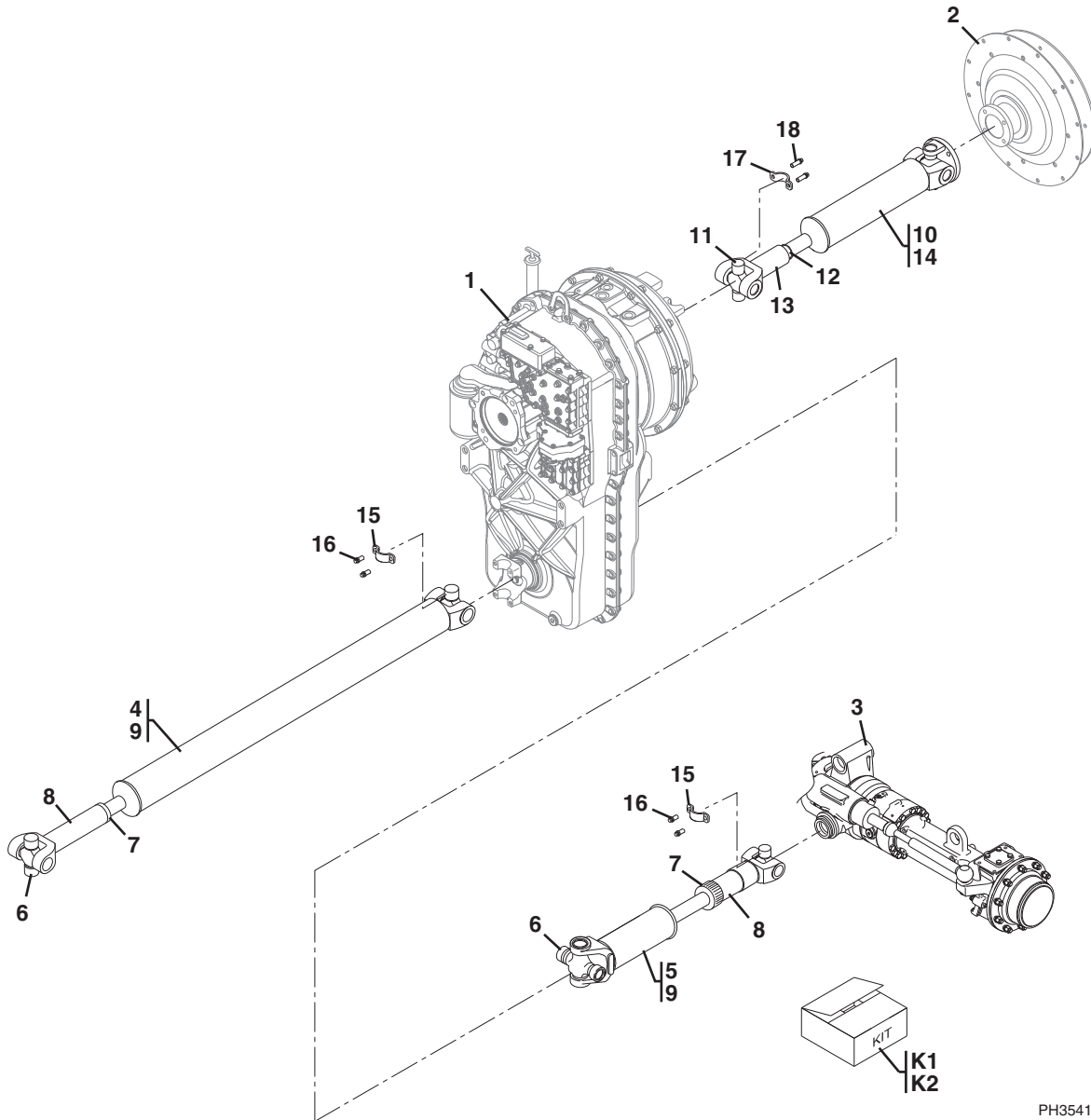
Figure 5-32 ZF Transmission - Oil Pump & Filter

Item	Part Number	Qty.	Description	Rev.
1	1319718	1	PUMP, (includes item 2)	
	7029417	1	O-RING, (between pump halves), (not shown)	
2	8036250	1	O-RING	
3	1319719	2	O-RING	
4	1319720	1	AXIAL WASHER, 40X60X1	
5	1319721	1	AXIAL NEEDLE CAGE	
6	1319722	1	ANGLE DISC	
7	1319723	1	SPACER BUSHING	
8	1319724	1	O-RING	
9	1319725	4	HEX HD CAPSCREW, M12X115mm	
10	1319726	1	FILTER	
11	8036041	1	DIPSTICK TUBE	
12	8036042	1	DIPSTICK	
13	1319585	1	HEX HD CAPSCREW, M8X16mm	
14	1319582	1	HEX HD CAPSCREW, M8X20mm	
15	70023885	1	O-RING	



DRIVE TRAIN

Figure 5-33 Drive Shafts



PH3541

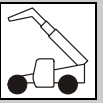


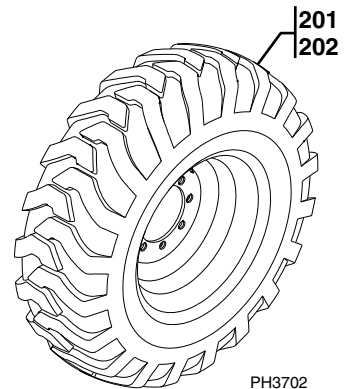
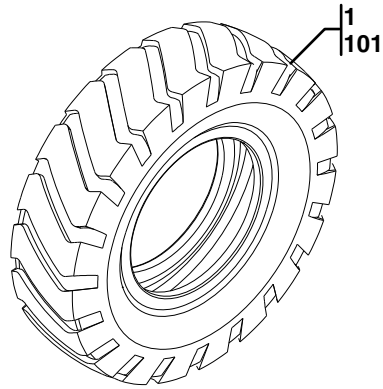
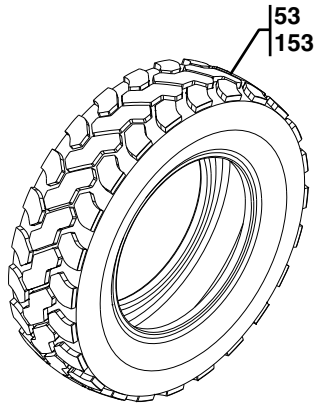
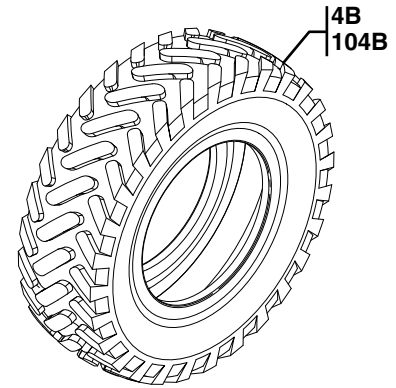
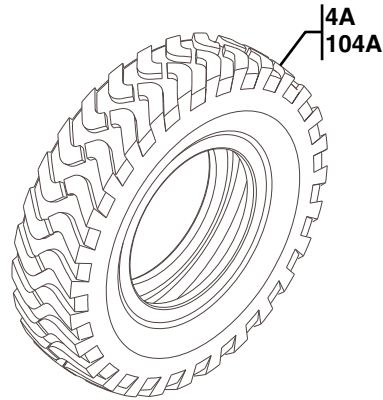
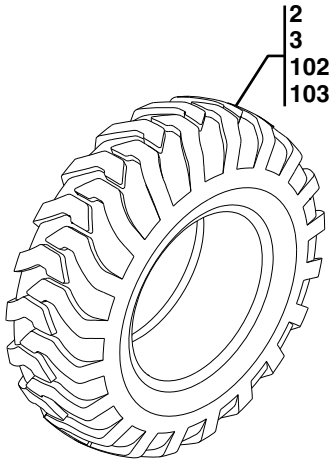
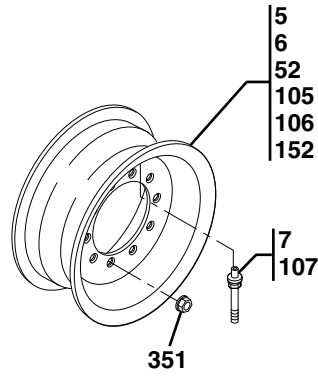
Figure 5-33 Drive Shafts

Item	Part Number	Qty.	Description	Rev.
1		Ref	ZF TRANSMISSION, (see Figure 5-18 for details)	
2		Ref	ISOLATION COUPLER, (see Figure 4-6 for details)	
3		Ref	REAR AXLE, (see Figure 5-10 for details)	
4	7138638	1	FRONT AXLE DRIVE SHAFT, (includes items 6 thru 9)	
5	7138639	1	REAR AXLE DRIVE SHAFT, (includes items 6 thru 9)	
6	8035778	4	CROSS & BEARING KIT, (two required per drive shaft)	
7	8035109	2	DUST CAP KIT, (one required per drive shaft)	
8	NSS	2	SLIP JOINT	
9	NSS	2	YOKE SHAFT	
10	7138805	1	DRIVE SHAFT - ENGINE TO TRANSMISSION, (8042 S/N 13198 thru 18990), (10042 S/N 13198 thru 19030), (10054 S/N 13198 thru 19079), (includes items 11 thru 14)	
	7302034	1	DRIVE SHAFT - ENGINE TO TRANSMISSION, (8042 S/N 13198 thru 18990), (10042 S/N 13198 thru 19030), (10054 S/N 13198 thru 19079), (with isolation coupler replacement kit), (see Figure 4-6 for details), (includes items 11 thru 14)	
	7301508	1	DRIVE SHAFT - ENGINE TO TRANSMISSION, (8042 S/N 18991 thru 19987 & 0160002332 & After), (10042 S/N 19031 thru 19987 & 0160002332 & After), (10054 S/N 19080 thru 19987 & 0160002332 & After), (includes items 11 thru 14)	
11	1101841	2	CROSS & BEARING KIT	
12	8035109	1	DUST CAP KIT	
13	NSS	2	SLIP JOINT	
14	NSS	2	YOKE SHAFT	
15	Use Kit K1	8	STRAP, (use kit 8880218-OM for replacement)	
16	Use Kit K1	16	SCREW, (torque to 32-42 lb-ft), (must replace when removed, do not re-torque), (use kit 8880218-OM for replacement)	
17	Use Kit K2	2	STRAP, (use kit 8880219-OM for replacement)	
18	Use Kit K2	4	SCREW, (torque to 35 lb-ft), (must replace when removed, do not re-torque), (use kit 8880219-OM for replacement)	
K1	8880218-OM	4	STRAP KIT, (includes qty. 2 of item 15 & qty. 4 of item 16)	
K2	8880219-OM	1	STRAP KIT, (includes qty. 2 of item 17 & qty. 4 of item 18)	



Figure 5-34 Tires & Rims

8042



PH3702



Figure 5-34 Tires & Rims

Item	Part Number	Qty.	Description	Rev.
		Ref	PNEUMATIC TIRE & RIM ASSEMBLY	
	7139168	1	ROCK TREAD PNEUMATIC TIRE & RIM ASSY, (right or left side), 13.00X24, (includes items 1, 5 & 7), (Before S/N 0160037799)	C
	4520466	1	ROCK TREAD PNEUMATIC TIRE & RIM ASSY, (right or left side), 15.5X25, (includes items 1, 6 & 7)	A
	7138658	1	GRADER PNEUMATIC TIRE & RIM ASSY, (right side), 13.00X24, (includes items 2, 5 & 7), (Before S/N 0160037799)	D
	7138659	1	GRADER PNEUMATIC TIRE & RIM ASSY, (left side), 13.00X24, (includes items 2, 5 & 7), (Before S/N 0160037799)	D
	7138660	1	LOADER DOZER PNEUMATIC TIRE & RIM ASSY, (right side), 15.5X25, (includes items 3, 6 & 7)	D
	7138661	1	LOADER DOZER PNEUMATIC TIRE & RIM ASSY, (left side), 15.5X25, (includes items 3, 6 & 7)	E
	4520412	1	RADIAL PNEUMATIC TIRE & RIM ASSY, (right or left side), 13.00X24, (includes items 4A, 5 & 7), (Before S/N 0160037799)	A
	7139165	1	RADIAL PNEUMATIC TIRE & RIM ASSY, (right or left side), 15.5R25, (includes items 4B, 6 & 7)	C
	1001100324	1	TIRE & RIM ASSY, 370/75-28, 14PLY, (includes items 7, 52 & 53)	C
1	8780045	1	ROCK TREAD TIRE, 13.00X24, (Before S/N 0160037799)	
	8780050	1	ROCK TREAD TIRE, 15.5X25	
2	8780031	1	GRADER TIRE, 13.00X24, (Before S/N 0160037799)	
3	8780036	1	LOADER DOZER TIRE, 15.25X25	
4A	8780264	1	RADIAL TIRE, 13.00X24, (Before S/N 0160037799)	
4B	8780048	1	RADIAL TIRE, 15.5R25	
5	7301054	1	RIM, 9X24	
6	7301056	1	RIM, 13.00X25	
7	8786514	1	VALVE STEM	
52	1001100005	1	RIM, 28X11, 1.18 OFFSET	
53	1001100284	1	TIRE, 370/75-28, 14 PLY	
		Ref	FOAM FILLED TIRE & RIM ASSEMBLY	
	4520319	1	YOKOHAMA FLATPROOFING ROCK TREAD TIRE & RIM ASSY, (right or left side), 13.00X24, (includes items 101, 105, 107 & 108), (Before S/N 0160037799)	B
	4520321	1	FIRESTONE FLATPROOFING ROCK TREAD TIRE & RIM ASSY, (right or left side), 13.00X24, (includes items 101, 105, 107 & 108), (no longer available, use 4520319 for replacement)	B
	4520467	1	ROCK TREAD FOAM FILLED TIRE & RIM ASSY, (right or left side), 15.5R25, (includes items 101, 106, 107 & 108)	A
	7139159	1	GRADER FOAM FILLED TIRE & RIM ASSY, (right side), 13.00X24, (complete only), (includes items 102, 105, 107 & 108), (Before S/N 0160037799)	D
	7139160	1	GRADER FOAM FILLED TIRE & RIM ASSY, (left side), 13.00X24, (complete only), (includes items 102, 105, 107 & 108), (Before S/N 0160037799)	D
	7139161	1	LOADER DOZER FOAM FILLED TIRE & RIM ASSY, (right side), 15.5R25, (complete only), (includes items 103, 106, 107 & 108)	C
	7139162	1	LOADER DOZER FOAM FILLED TIRE & RIM ASSY, (left side), 15.5R25, (complete only), (includes items 103, 106, 107 & 108),	C
	4520413	1	RADIAL FOAM FILLED TIRE & RIM ASSY, (right or left side), 13.00X24, (complete only), (includes items 104A, 105, 107 & 108), (Before S/N 0160037799)	A
	4520469	1	RADIAL FOAM FILLED TIRE & RIM ASSY, (right or left side), 15.5R25, (complete only), (includes items 104B, 106, 107 & 108)	A



DRIVE TRAIN

Figure 5-34 Tires & Rims (Continued)

Item	Part Number	Qty.	Description	Rev.
	1001121085	1	TIRE & RIM ASSY, 370/75-28, 14PLY, FOAM FILLED, 464lb, (includes items 107, 152 & 153)	A
101	8780045	1	YOKOHAMA ROCK TREAD TIRE, 13.00X24, (Before S/N 0160037799)	
	4520318	1	FIRESTONE ROCK TREAD TIRE, 13.00X24, (no longer available, use 8780045 for replacement)	
	8780050	1	ROCK TREAD TIRE, 15.5X25	
102	8780031	1	GRADER TIRE, 13.00X24, (Before S/N 0160037799)	
103	8780036	1	LOADER DOZER TIRE, 15.25X25	
104A	8780264	1	RADIAL TIRE, 13.00X24, (Before S/N 0160037799)	
104B	8780048	1	RADIAL TIRE, 15.5R25	
105	7301054	1	RIM, 9X24	
106	7301056	1	RIM, 13.00X25	
107	8786514	1	VALVE STEM	
108	8526203	1	FLATPROOFING TRAKFILL, (not shown)	
152	1001100005	1	RIM, 28X11, 1.18 OFFSET	
153	1001100284	1	TIRE, 370/75-28, 14 PLY	
		Ref	SOLID TIRE & WHEEL ASSEMBLY:	
	4520648	1	SOLID TIRE SET, 13.00-24, (includes items 201 & 202)	B
201	4520649	2	R.H. SOLID TIRE AND WHEEL ASSEMBLY	B
202	4520650	2	L.H. SOLID TIRE AND WHEEL ASSEMBLY	B
351		Ref	WHEEL NUT, (see Figure 5-1 for details)	
N1	Note	Ref	When ordering tires contact JLG and specify the brand of tire.	
N2	Note	Ref	Assemblies may require ballast/foam filling to manufacturer's specifications prior to installing on a machine. Refer to Operation & Safety or Service & Maintenance Manuals. Purchase individual tire and/or rim only if able to foam fill tire & wheel assembly, otherwise, purchase complete assembly.	

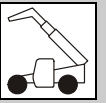


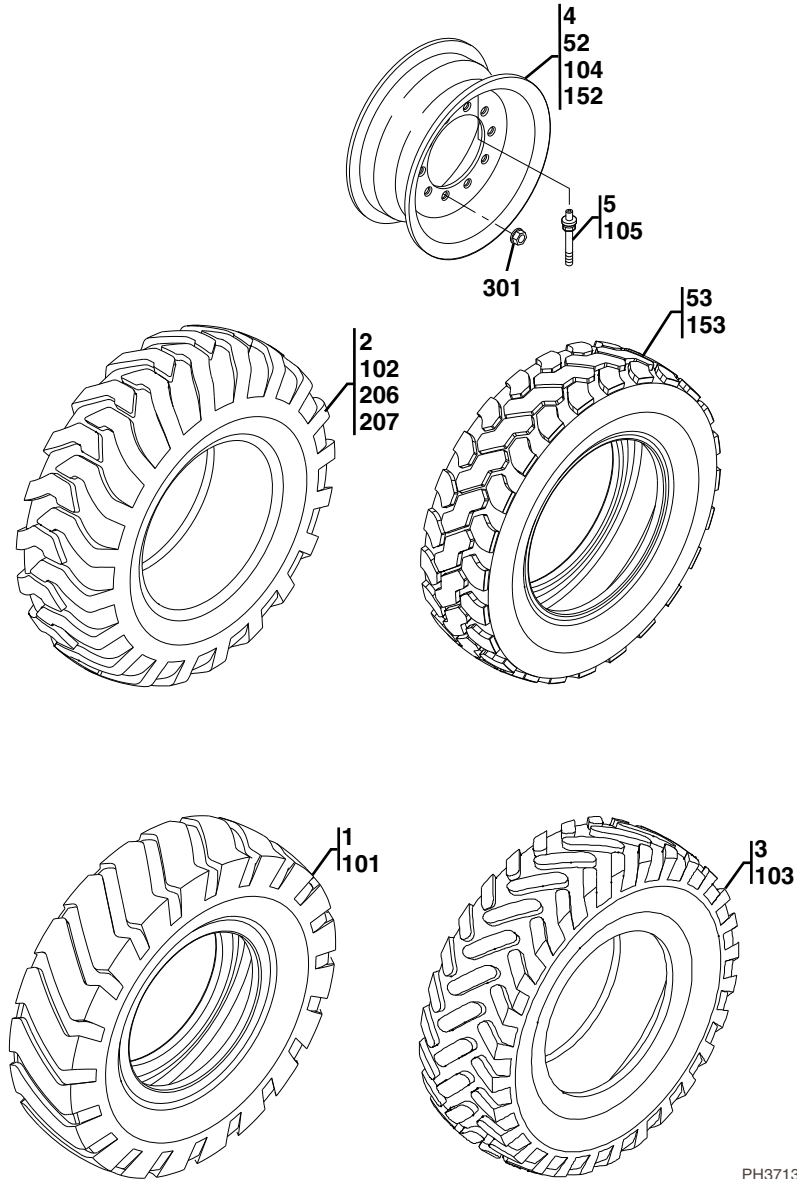
Figure 5-34 Tires & Rims (Continued)

Item	Part Number	Qty.	Description	Rev.



Figure 5-34 Tires & Rims

10042 & 10054



PH3713



Figure 5-34 Tires & Rims

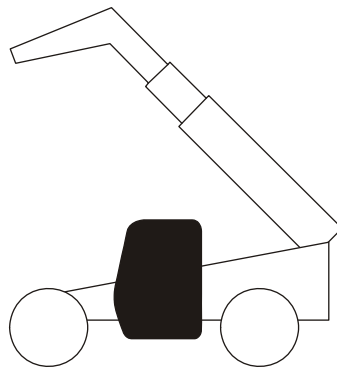
Item	Part Number	Qty.	Description	Rev.
		Ref	PNEUMATIC TIRE & RIM ASSEMBLY:	
	4520530	1	ROCK TREAD PNEUMATIC TIRE & RIM ASSY, (right or left side), 17.5X25, (includes items 1, 4 & 5)	A
	7138662	1	LOADER DOZER PNEUMATIC TIRE & RIM ASSY, (right side), 17.5X25, (includes items 2, 4 & 5)	F
	7138663	1	LOADER DOZER PNEUMATIC TIRE & RIM ASSY, (left side), 17.5X25, (includes items 2, 4 & 5)	F
	7139166	1	RADIAL PNEUMATIC TIRE & RIM ASSY, (right or left side), 17.5X25, (includes items 3, 4 & 5)	C
	1001121102	1	TIRE & RIM ASSY, 400/75-28, 16 PLY, (includes items 5, 52 & 53)	A
1	4520314	1	ROCK TREAD TIRE, 17.5X25	
2	4520527	1	LOADER DOZER TIRE, 17.5X25	
3	8780047	1	RADIAL TIRE, 17.5X25	
4	7301056	1	RIM, 13X25	
5	8786514	1	VALVE STEM	
52	1001100009	1	RIM, 28X12, 1.18 OFFSET	
53	1001120179	1	TIRE, 400/75-28, 16 PLY	
		Ref	FOAM FILLED TIRE & RIM ASSEMBLY:	
	4520531	1	ROCK TREAD FOAM FILLED TIRE & RIM ASSY, (right or left side), 17.5X25, (includes items 101, 104 & 105)	A
	7139163	1	LOADER DOZER FOAM FILLED TIRE & RIM ASSY, (right side), 17.5X25, (complete only), (includes items 102, 104 & 105)	D
	7139164	1	LOADER DOZER FOAM FILLED TIRE & RIM ASSY, (left side), 17.5X25, (complete only), (includes items 102, 104 & 105)	D
	4520533	1	RADIAL FOAM FILLED TIRE & RIM ASSY, (right or left side), 17.5X25, (complete only), (includes items 103, 104 & 105)	A
	1001121104	1	TIRE & RIM ASSY, 400/75-28, 16PLY, FOAM FILLED, 570lb, (includes items 105, 152 & 153)	
101	4520314	1	ROCK TREAD TIRE, 17.5X25	
102	4520527	1	LOADER DOZER TIRE, 17.5X25	
103	8780047	1	RADIAL TIRE, 17.5X25	
104	7301056	1	RIM, 13X25	
105	8786514	1	VALVE STEM	
152	1001100009	1	RIM, 28X12, 1.18 OFFSET	
153	1001120179	1	TIRE, 400/75-28, 16PLY	
	1001105703	4	TIRE SET, 14X24, SOLID, (includes items 206 thru 209)	B
206	1001105705	2	RH TIRE & WHEEL ASSY, 14-24, SOLID	
207	1001105704	2	LH TIRE & WHEEL ASSY, 14-24, SOLID	
208		Ref	WHEEL NUT, (not shown), (see Figure 5-1 for details)	
209		Ref	SPRING WASHER, (not shown), (see Figure 5-1 for details)	
301		Ref	WHEEL NUT & SPRING WASHER, (see Figure 5-1 for details)	
N1	Note	Ref	When ordering tires contact JLG and specify the brand of tire.	

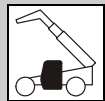


DRIVE TRAIN

This Page Intentionally Left Blank

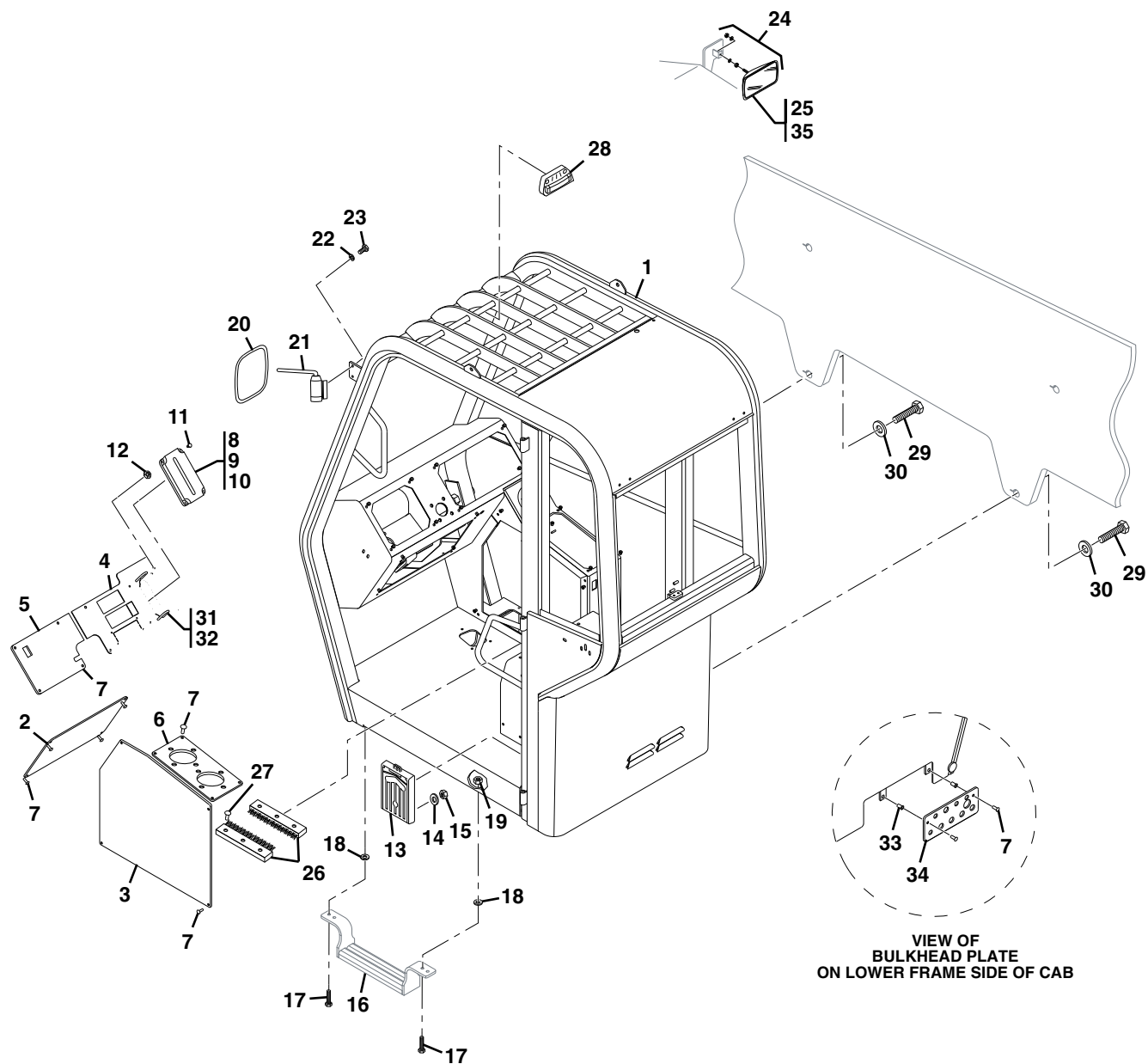
SECTION 6 CAB





CAB

Figure 6-1 Open Cab



PAP16420



Figure 6-1 Open Cab

Item	Part Number	Qty.	Description	Rev.
1	7138857	1	OPEN CAB, (includes items 2 thru 7)	H
2	7302074	1	LOWER PANEL	
3	7302073	1	RIGHT SIDE CONSOLE ACCESS PANEL	
4	3380679	1	RIGHT FRONT CONSOLE PANEL	
5	7302076	1	LEFT FRONT CONSOLE PANEL	
6	7302077	1	SIDE CONSOLE PANEL	
7	8303034	22	TRUSS HD TORX SCREW, 1/4-20X3/4	
8	7138819	1	LOAD CHART HOLDER, (8042 S/N 13198 thru 19987 & 0160002332 thru 0160019859), (10042 S/N 13198 thru 19987 & 0160002332 thru 0160019855), (10054 S/N 13198 thru 19987 & 0160002332 thru 0160019851 excluding 0160019634 & 0160019646)	
9	7139135	AR	SPACER FOAM TAPE, (8042 S/N 13198 thru 19987 & 0160002332 thru 0160019859), (10042 S/N 13198 thru 19987 & 0160002332 thru 0160019855), (10054 S/N 13198 thru 19987 & 0160002332 thru 0160019851 excluding 0160019634 & 0160019646)	
10	8310016	2	PAN HD CAPSCREW, 10-24X1, (8042 S/N 13198 thru 19987 & 0160002332 thru 0160019859), (10042 S/N 13198 thru 19987 & 0160002332 thru 0160019855), (10054 S/N 13198 thru 19987 & 0160002332 thru 0160019851 excluding 0160019634 & 0160019646)	
11	8310362	4	BUTTON HD CAPSCREW, 10-24X.5, (8042 S/N 13198 thru 19987 & 0160002332 thru 0160019859), (10042 S/N 13198 thru 19987 & 0160002332 thru 0160019855), (10054 S/N 13198 thru 19987 & 0160002332 thru 0160019851 excluding 0160019634 & 0160019646)	
12	8310085	6	LOCK NUT, #10-24, (8042 S/N 13198 thru 19987 & 0160002332 thru 0160019859), (10042 S/N 13198 thru 19987 & 0160002332 thru 0160019855), (10054 S/N 13198 thru 19987 & 0160002332 thru 0160019851 excluding 0160019634 & 0160019646)	
13	8990147	1	MANUAL HOLDER	
14	8307201	3	FLAT WASHER, 10	
15	8310085	3	LOCKNUT, 10-24	
16	1001141427	1	STEP	
17	8303626	4	HEX HD CAPSCREW, 1/2-13X1-1/2	
18	8307112	4	FLAT WASHER, 1/2	
19	8305644	4	LOCKNUT, 1/2-13	
20	8866529	1	REAR VIEW MIRROR, (Before S/N 0160029593)	
	3140007	1	REAR VIEW MIRROR, (S/N 0160029593 & After)	
21	8866530	1	MIRROR ARM, (Before S/N 0160029593)	
	1001114675	1	MIRROR ARM, (S/N 0160029593 & After)	
22	8307024	AR	LOCKWASHER, M6	
23	8303799	2	HEX HD CAPSCREW, M6-1X14mm, (Before S/N 0160029593)	
	0700610	2	HEX HD CAPSCREW, M6-1X20mm, (S/N 0160029593 & After)	
24	8866348	1	RIGHT MIRROR, (includes mounting hardware)	
25	8866351	1	CONVEX GLASS REPLACEMENT LENS, 6.5X10	
26	7138944	2	BRUSH STRIP ASSY	
27	8303982	6	SELF-TAPPING SCREW, 1/4-20X3/4	
28	8466306	1	TILT ANGLE GAUGE	
29	8310493	4	HEX HD CAPSCREW, 7/8-9X5.5, GR8, (torque to 480 lb-ft)	
30	8307011	4	LOCKWASHER, 7/8	
31	1001102844	2	U-BOLT, 1/4-20X2-1/2, (8042 S/N 0160019946 & After), (10042 S/N 0160020008 & After), (10054 S/N 0160019865 & After including 0160019634 & 0160019646)	

**CAB****Figure 6-1 Open Cab (Continued)**

Item	Part Number	Qty.	Description	Rev.
32	8310382	8	FLANGE NUT, 1/4-20, (8042 S/N 0160019946 & After), (10042 S/N 0160020008 & After), (10054 S/N 0160019865 & After including 0160019634 & 0160019646)	
33	70021305	2	RIVNUT	
34	70021306	1	BULKHEAD FITTING PLATE	
35	4791500	1	STAR WASHER, 5/16 IN	

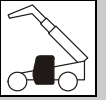


Figure 6-1 Open Cab (Continued)

Item	Part Number	Qty.	Description	Rev.



CAB

S/N 13198 thru 19987
& 0160002332 thru 0160008806

Figure 6-2 Closed Cab

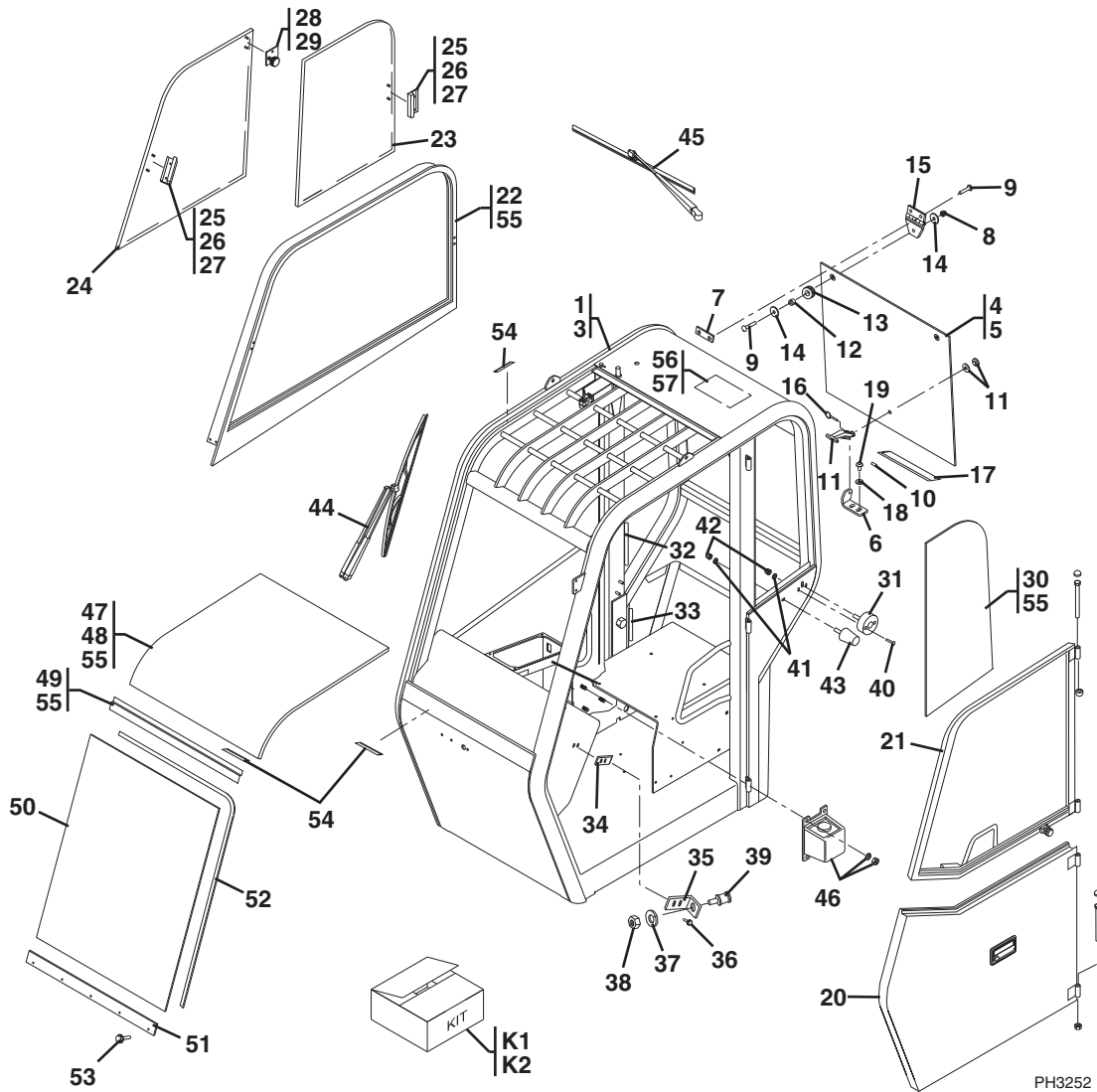
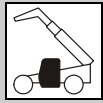




Figure 6-2 Closed Cab

Item	Part Number	Qty.	Description	Rev.
	7139048	1	CLOSED CAB, (includes all items)	AA
1		Ref	OPEN CAB, (see Figure 6-1 for details)	
2		Ref	CAB HEATER KIT, (see Figure 6-8 for details)	
3	7139050	1	CAB ENCLOSURE WITH TOP & FRONT WIPERS KIT, (includes 4 thru 55)	A
4	8036048	1	REAR WINDOW ASSY, (includes items 5 thru 19)	
5	8036106	1	REAR WINDOW GLASS	
6	8036107	1	REAR WINDOW LATCH MOUNT	
7	8036108	2	REAR WINDOW HINGE BLOCK	
8	8035479	2	ACORN NUT, 1/4-20	
9	8310136	6	TRUSS SCREW, 1/4-20X1-1/4	
10	8035486	1	ROLL PIN, #10X1/2	
11	1001081280	1	T-HANDLE LATCH, (includes mounting hardware)	
12	8035478	2	BUSHING, 0.26 IDX1/2 OD	
13	8035477	2	GROMMET, 1/2 IDX1.06 OD	
14	80264082	4	FLAT WASHER, 9/32X1X0.065	
15	8035475	2	PLASTIC HINGE	
16	1001109417	1	DETENT RING PIN, 0.019X1.4	
17	8037206	1	SEAL, 8.6 FT	
18	8036071	2	WASHER	
19	91344043	2	HEX HD CAPSCREW, 1/4-20X.62	
20		Ref	LOWER DOOR ASSY, (see Figure 6-4 for details)	
21		Ref	UPPER DOOR ASSY, (see Figure 6-4 for details)	
22	8036050	1	SLIDER WINDOW, (right side), (includes items 23 thru 29)	
23	7138953	Ref	REAR SLIDE GLASS, (no longer available, use complete assy 8036050 for replacement), (p/n 7138953 is etched onto glass)	
	8036197	1	REAR SLIDE GLASS	
24	7138952	Ref	FRONT SLIDE GLASS, (no longer available, use complete assy 8036050 for replacement), (p/n 7138952 is etched onto glass)	
	8036196	1	FRONT SLIDE GLASS	
25	Use Kit K1	1	CAPSCREW	
26	Use Kit K1	1	SPACER	
27	Use Kit K1	1	LATCH	
28	Use Kit K2	1	LOCK BLOCK	
29	Use Kit K2	1	KNOB ASSY	
30	8036073	1	REAR GLASS, (left side)	
31	80364044	1	FEMALE DOOR RETAINER	
32	8036057	1	UPPER WIRE DUCT	
33	8036058	1	LOWER WIRE DUCT	
34	8036059	1	STRIKER NUT PLATE WELDMENT	
35	8036060	1	STRIKER BOLT BRACKET	
36	8035437	2	LOCK SCREW, 1/4-20X3/4	
37	8036061	1	FLAT WASHER, 17/32X1.06X.094	
38	8035639	1	CENTER LOCKNUT, 7/16-14	
39	8035637	1	STRIKER BOLT, 7/16-14X1-1/2	
40	8035487	2	SCREW, 1/4-20X.625	
41	8035416	3	LOCKWASHER, 1/4X.49 ODX.07	
42	8035479	3	ACORN NUT, 1/4-20	
43	8036066	1	RUBBER CONE BUMPER, 2	
44		Ref	FRONT WINDSHIELD WIPER ASSY, (see Figure 6-6 for details)	

**CAB**S/N 13198 thru 19987
& 0160002332 thru 0160008806**Figure 6-2 Closed Cab (Continued)**

Item	Part Number	Qty.	Description	Rev.
45		Ref	SKYLIGHT WIPER ASSY, (see Figure 6-7 for details)	
46		Ref	RESERVOIR WITH 12V MOTOR, (see Figure 6-6 for details)	
47	7139444	1	WINDSHIELD SKYLIGHT KIT, (includes items 48 thru 55)	
48	7138958	1	SKYLIGHT GLASS	
49	7139316	1	UPPER WINDSHIELD CLIP	
50	7138951	1	WINDSHIELD GLASS	
51	7139298	1	LOWER WINDSHIELD PLATE	
52	7139299	1	BULB SEAL, 0.22X0.35X14.75	
53	8310529	5	SELF-TAPPING SCREW, #10-16X0.75	
54	8035490	8	SETTING BLOCKS	
55	8035523	AR	URETHANE SEALANT, (apply to items 22, 30, 48 & 49)	
K1	8036199	1	LATCH ASSY KIT, (includes items 25, 26 & 27)	
K2	8036198	1	FRICTION LOCK ASSY KIT, (includes items 28 & 29)	

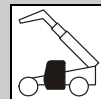


Figure 6-2 Closed Cab (Continued)

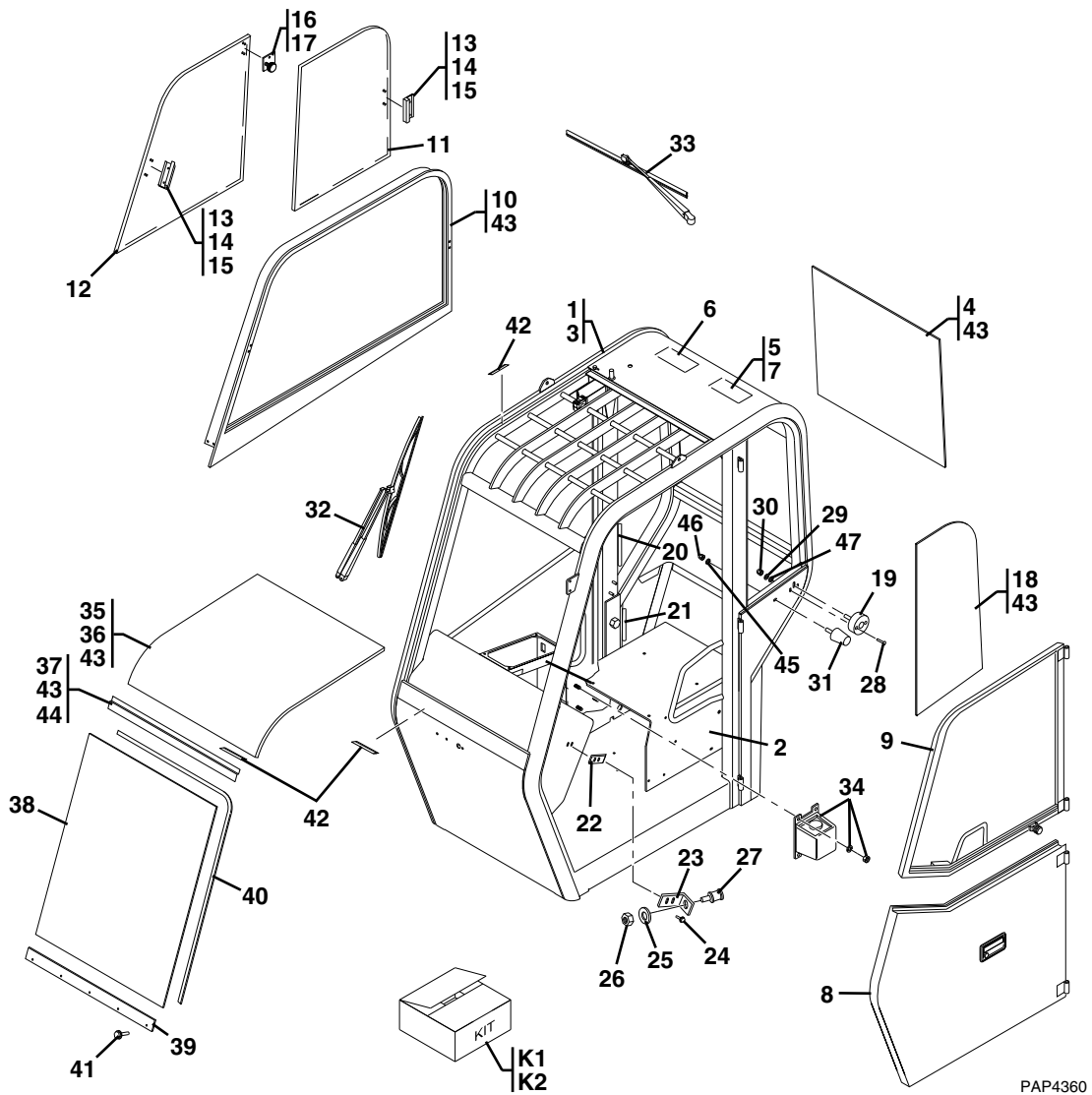
Item	Part Number	Qty.	Description	Rev.



CAB

S/N 0160008822 & After

Figure 6-2 Closed Cab



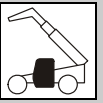


Figure 6-2 Closed Cab

Item	Part Number	Qty.	Description	Rev.
	7139048	Ref	ENCLOSED CAB WITH HEATER, (no longer available, order 1001125838 or see items 1 to 43 for service)	E
1	1001125838	1	ENCLOSED CAB WITH HEATER, (includes all items)	A
2		Ref	OPEN CAB ASSY, (see Figure 6-1 for details)	
3	7139050	1	CAB HEATER ASSY, (see Figure 6-8 for details)	
4		1	CAB ENCLOSURE WITH TOP & FRONT WIPERS, (less heater), (includes items 4 thru 43)	D
5	7028737	1	REAR WINDOW	
6	91404301	1	HAMMER	
7		Ref	ESCAPE DECAL, (see Figure 11-1 for details)	
8	91404298	3	RIVET	
9		Ref	LOWER DOOR ASSY, (see Figure 6-4 for details)	
10		Ref	UPPER DOOR ASSY, (see Figure 6-4 for details)	
11	8036050	1	RIGHT SIDE SLIDER WINDOW, (includes items 11 thru 17)	
12	7138953	Ref	REAR SLIDE GLASS, (no longer available, use complete assy 8036050 for replacement), (p/n 7138953 is etched onto glass)	
	8036197	1	REAR SLIDE GLASS	
	7138952	Ref	FRONT SLIDE GLASS, (no longer available, use complete assy 8036050 for replacement), (p/n 7138952 is etched onto glass)	
	8036196	1	FRONT SLIDE GLASS	
13	Use Kit K1	1	CAPSCREW	
14	Use Kit K1	1	SPACER	
15	Use Kit K1	1	LATCH	
16	Use Kit K2	1	LOCK BLOCK	
17	Use Kit K2	1	KNOB ASSY	
18	8036073	1	LEFT SIDE REAR GLASS	
19	8036069	1	FEMALE DOOR RETAINER	
20	7139267	1	UPPER WIRE DUCT	
21	7139268	1	LOWER WIRE DUCT	
22	8036059	1	STRIKER NUT PLATE WELDMENT	
23	8036060	1	STRIKER BOLT BRACKET	
24	8035437	2	LOCKSCREW, 1/4-20X3/4	
25	8036061	1	FLAT WASHER, 17/32X1.06X.094	
26	8035639	1	CENTER LOCKNUT, 7/16-14	
27	1001109478	1	STRIKER BOLT, 7/16-14X1-1/2	
28	8035487	2	SCREW, 1/4-20X5/8	
29	8035416	2	LOCKWASHER, 1/4X.49ODX.07	
30	8035479	2	ACORN NUT, 1/4-20	
31	8036066	1	RUBBER CONE BUMPER	
32		Ref	FRONT WINDSHIELD WIPER ASSY, (see Figure 6-6 for details)	
33		Ref	SKYLIGHT WIPER ASSY, (see Figure 6-7 for details)	
34		Ref	RESERVOIR WITH 12 VOLT MOTOR, (see Figure 6-6 for details)	
35	7139444	1	WINDSHIELD SKYLIGHT KIT, (includes items 36 thru 43)	
36	7138958	1	SKYLIGHT GLASS	
37	7139316	1	UPPER WINDSHIELD CLIP	
38	7138951	1	WINDSHIELD GLASS	
39	7139298	1	LOWER WINDSHIELD PLATE	
40	7139299	1	BULB SEAL, 0.22X.35X14.75	
41	8310529	5	SELF-TAPPING SCREW, #10-16X.75	

**CAB****Figure 6-2 Closed Cab (Continued)**

Item	Part Number	Qty.	Description	Rev.
42	8035490	8	SETTING BLOCKS	
43	8035523	AR	URETHANE SEALANT, (apply to items 4, 10, 18, 36 & 37)	
44	7139301	AR	FOAM	
45	8036067	1	WASHER, 5/16	
46	8036068	1	HEX NUT, 5/16-18	
47	8036071	2	WASHER,.28	
K1	8036199	1	LATCH ASSY KIT, (includes items 13, 14 & 15)	
K2	8036198	1	FRICTION LOCK ASSY KIT, (includes items 16 & 17)	

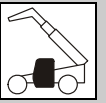
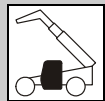


Figure 6-2 Closed Cab (Continued)

Item	Part Number	Qty.	Description	Rev.



CAB

Figure 6-3 Soft Cab Enclosure

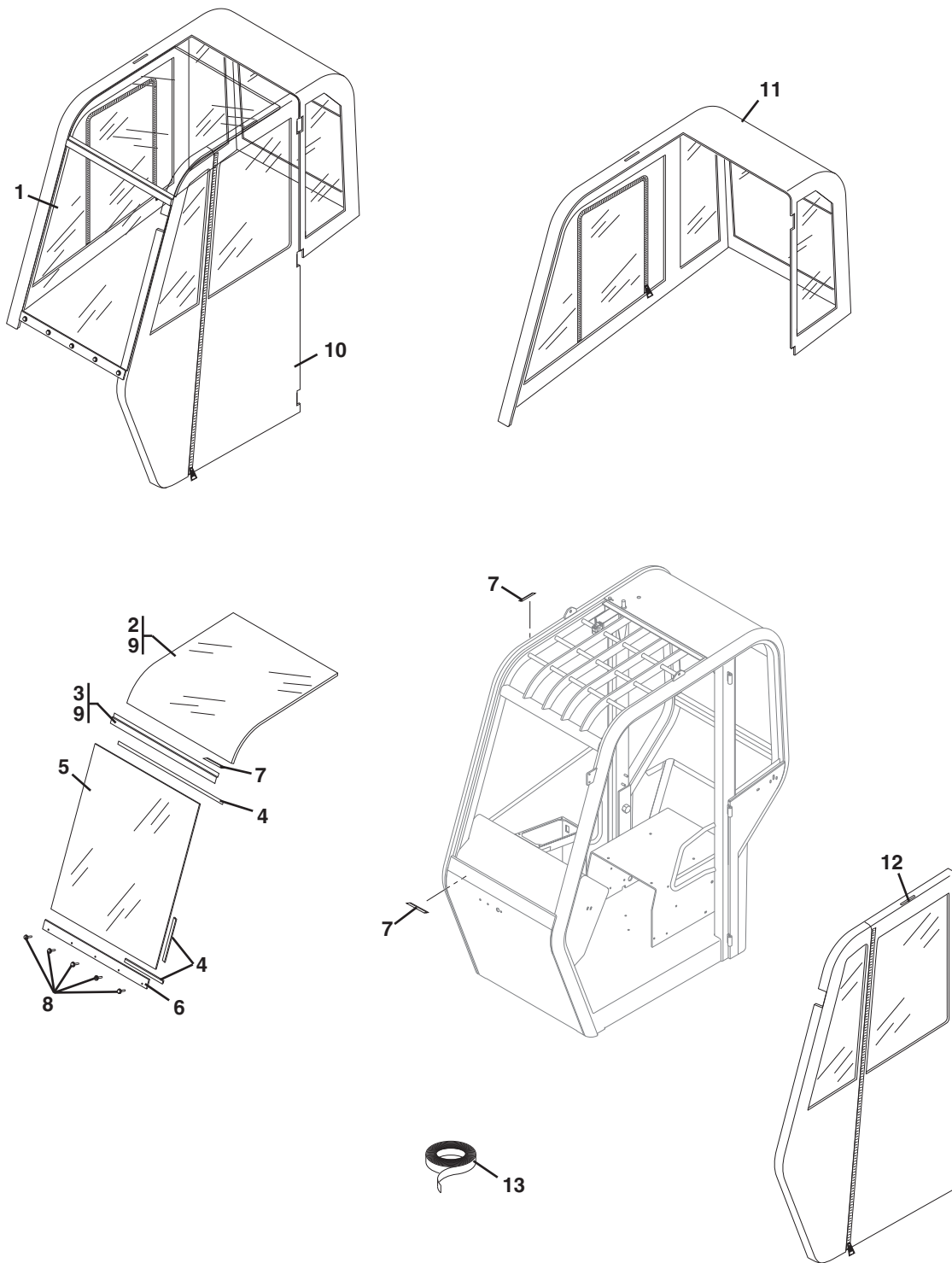




Figure 6-3 Soft Cab Enclosure

Item	Part Number	Qty.	Description	Rev.
	7139250	1	COMPLETE SOFT CAB ENCLOSURE KIT, (includes all items)	AC
1	7139444	1	WINDSHIELD SKYLIGHT KIT, (includes items 2 thru 9)	
2	7138958	1	SKYLIGHT GLASS	
3	7139316	1	UPPER WINDSHIELD CLIP	
4	7139299	1	BLACK BULB SEAL, 0.22X0.35X14.75	
5	7138951	1	WINDSHIELD GLASS	
6	7139298	1	LOWER WINDSHIELD PLATE	
7	8035490	8	SETTING BLOCK, 1/8X1/4X2	
8	8310529	5	SELF-TAPPING SCREW, #10-16X3/4	
9	8035523	1	URETHANE SEALANT, (apply to items 2 & 3)	
10	7139290	1	SOFT CAB ENCLOSURE KIT, (includes items 11, 12 & 13)	
11	7139293	1	SOFT REAR SECTION	
12	7139292	1	SOFT DOOR SECTION	
13	7139294	1	VELCRO KIT	
	7139295	1	VELCRO BRAND HOOK STRIP 1-1/2X10, ORANGE, (not shown)	
	7139296	3	VELCRO BRAND HOOK STRIP 2X10, ORANGE, (not shown)	



Figure 6-4 Cab Door

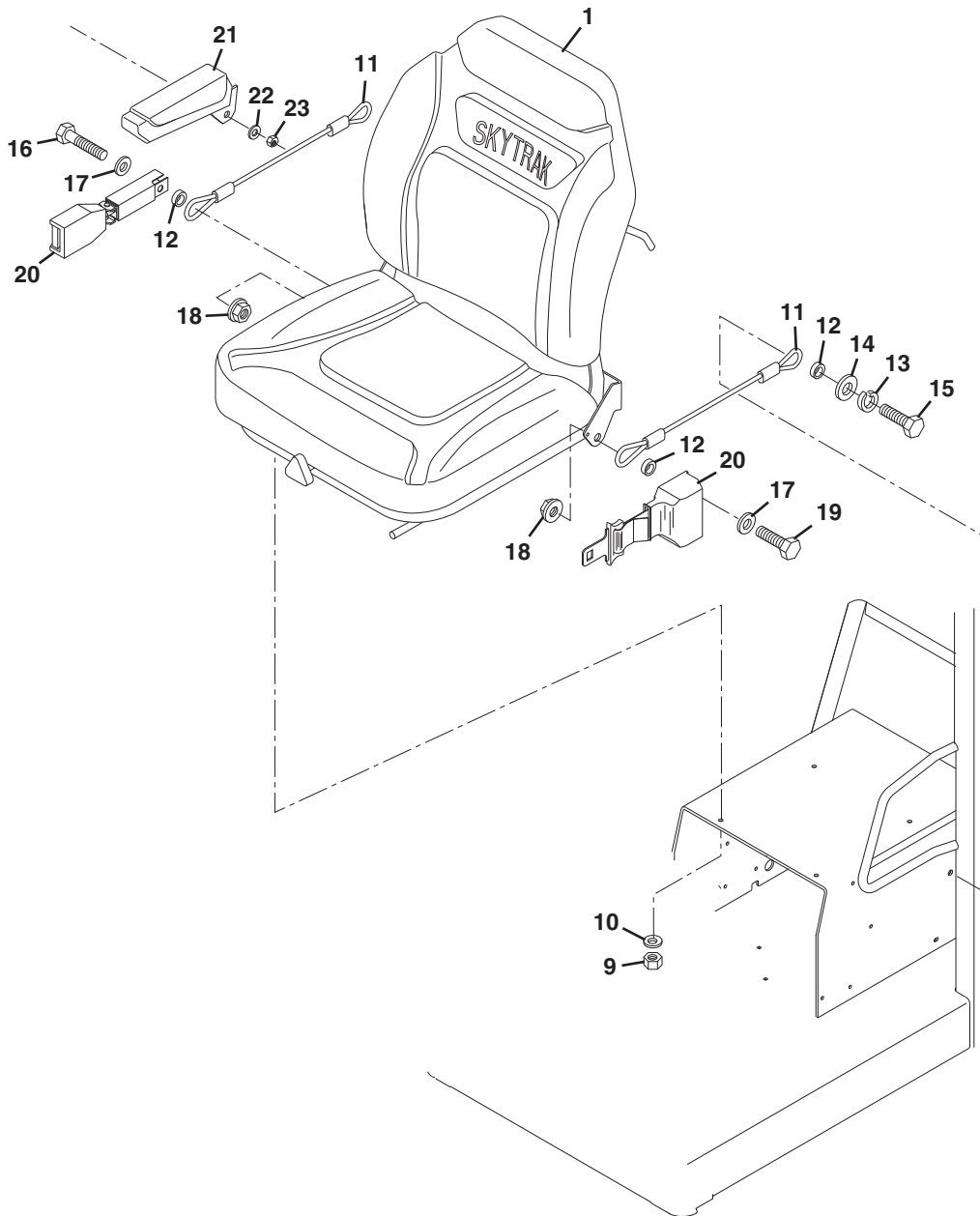
Item	Part Number	Qty.	Description	Rev.
1	8036062	1	LOWER DOOR ASSY, (uses square key), (includes items 2 thru 26 & item 40)	
	1001109007	1	LOWER DOOR ASSY, (uses round key), (includes items 2 thru 26 & item 40)	A
2	8033856	6	TORX SCREW, 1/4-20	
3	1001103509	6	HEX RIVNUT, 1/4-20	
4	80384192	1	INNER DOOR HANDLE	
5	80384187	2	ROD END RETAINING CLIP	
6	80384193	1	INSIDE DOOR BEZEL	
7	8036085	4	HEX RIVNUT, #10-24	
8	8035439	1	ROTARY LATCH	
9	91344032	1	INSIDE CAB HANDLE	
10	8036090	1	LOWER DOOR WELDMENT	
11	8036093	1	INTERIOR LATCH LINKAGE	
12	8036094	1	LOWER DOOR FOAM	
13	8036095	1	LATCHBOX ACCESS PLATE	
14	8036096	1	DOOR RESTRAINT STRAP	
15	8036097	1	EXTERIOR LATCH LINKAGE WELDMENT	
16	8036098	1	EXTENSION SPRING, 0.219X1-1/2X0.023	
17	8035441	Ref	PADDLE LATCH, (uses square key), (includes item 18), (no longer available, use 1001105892 for replacement)	
	1001105892	1	PADDLE LATCH, (uses rounded key), (includes item 18)	A
18	8342808	1	KEY, SQUARE	
	70021948	1	KEY, ROUND	
19	91404315	1	DOOR LEVER RELEASE	
20	8036076	1	BULB SEAL, 15.5mmX10, (cut to fit)	
21	8036088	8	SCREW, #10-24X3/4	
22	91404319	1	SLAM LATCH	
23	91404317	1	SCREW, #8-32X1-1/8	
24	91404318	1	NYLON LOCKNUT, #8-32	
25	8036091	2	SLAM LATCH SPACER	
26	8036092	1	SLAM LATCH SHAFT WELDMENT	
27	1001109406	1	UPPER DOOR ASSY, (includes items 28 thru 35 & item 41)	A
28	8036077	1	UPPER DOOR WELDMENT	
29	8036105	2	TORX SCREW, 1/4-20	
30	8035416	2	WASHER, 1/4IDX.49OD	
31	8036078	1	SLAM LATCH STRIKER	
32	8036079	1	LEFT SIDE DOOR GLASS	
33	8036080	1	RETAINER	
34	8036076	1	BULB SEAL, 15.5mmX10, (cut to fit)	
35	8035523	AR	URETHANE, (apply to item 32)	
36	80364004	6	HEX DOME CAP	
37	8035631	2	BOLT, 3/8-16X4.5	
38	8036064	1	BOLT, 3/8-16X6.5	
39	8035632	3	HEX NUT, 3/8-16	
40	80264074	4	BOLT, 1/4-20X3/4	
41	70020628	2	WASHER	



CAB

S/N 13198 thru 19987
& 0160002332 thru 0160010386

Figure 6-5 Operators Seat



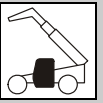
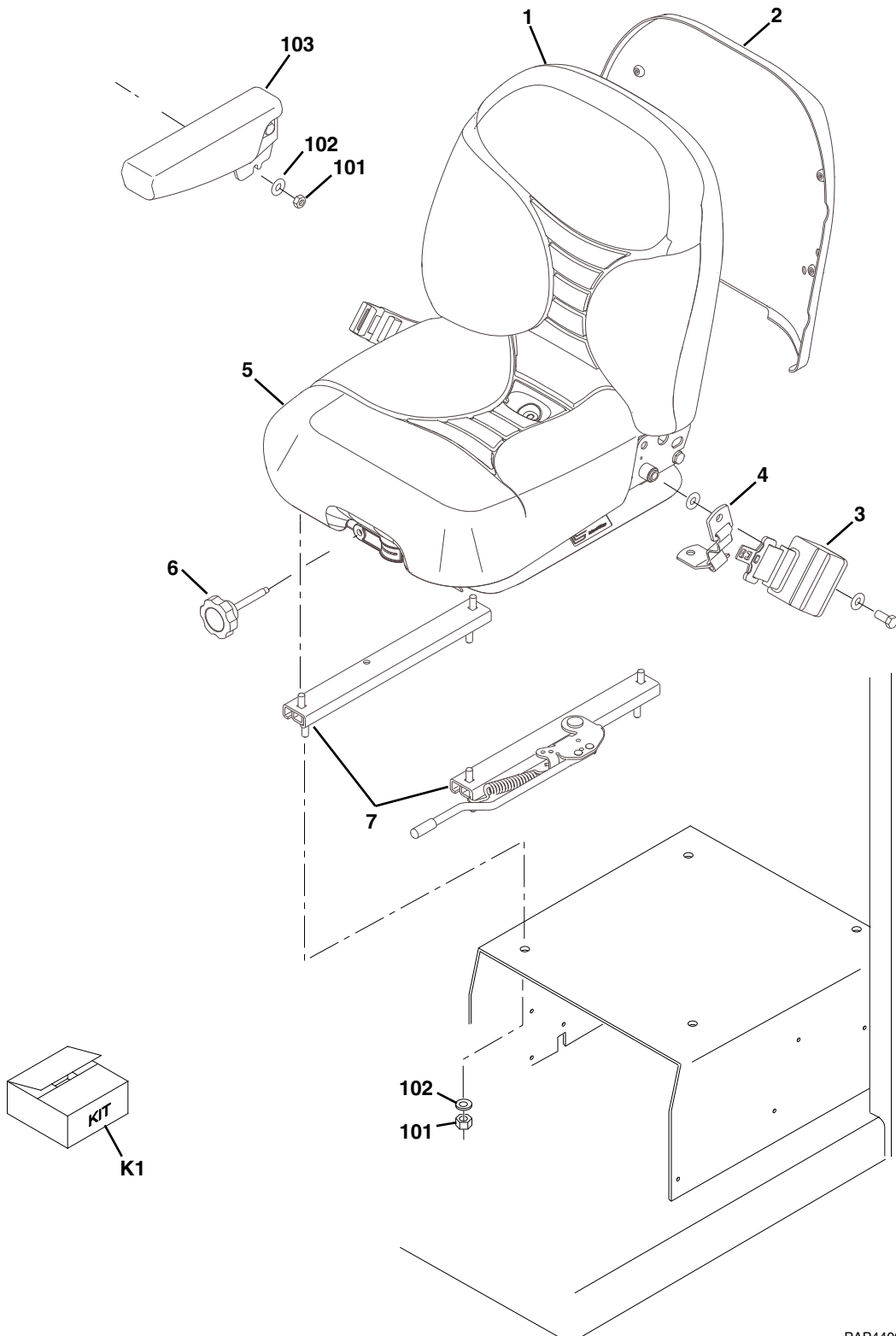


Figure 6-5 Operators Seat

Item	Part Number	Qty.	Description	Rev.
1	8864053	Ref	SEAT WITH SUSPENSION, (includes items 2 thru 8), (no longer available, use 3980039 & mounting hardware)	D
2	8036009	1	BOOT, 60/76mm, (not shown)	
3	8036010	1	ADJUSTER, 6, (not shown)	
4	8036011	1	DAMPER, (not shown)	
5	8036013	4	UP & DOWN STOP BUMPER ROLLERS, 7/16 DIA, (not shown)	
6	8036014	1	SPRINGS & CABLE, (not shown)	
7	8036015	1	HANGER/KNOB/TENSION SHAFT, (not shown)	
8	8036017	1	CUSHION/PAN ASSY KIT, (not shown)	
9	8305626	4	HEX LOCKNUT, 5/16-18	
10	8307106	4	PLAIN WASHER, 0.312	
11	7138883	2	TETHER	
12	7096491	4	SPACER	
13	8307006	2	LOCKWASHER, 7/16	
14	8307205	2	PLAIN WASHER, 7/16X1.125 OD	
15	8303674	2	HEX HD CAPSCREW, 7/16-14X1.50, GR5	
16	NSS	1	HEX HD CAPSCREW, 7/16-20X2.5, GR5, (included with seat belt)	
17	NSS	2	PLAIN WASHER, 7/16, (included with seat belt)	
18	NSS	2	HEX FLANGED NUT, 7/16-20, (included with seat belt)	
19	NSS	1	HEX HD CAPSCREW, 7/16-20X1.5, GR5, (included with seat belt)	
20	8864057	1	2 IN STANDARD SEAT BELT, (includes mounting hardware)	
21	7138858	1	ARM REST	
22	8307106	2	FLAT WASHER, 5/16	
23	8305626	2	LOCKNUT, 5/16-18	



Figure 6-5 Operators Seat



PAP4400



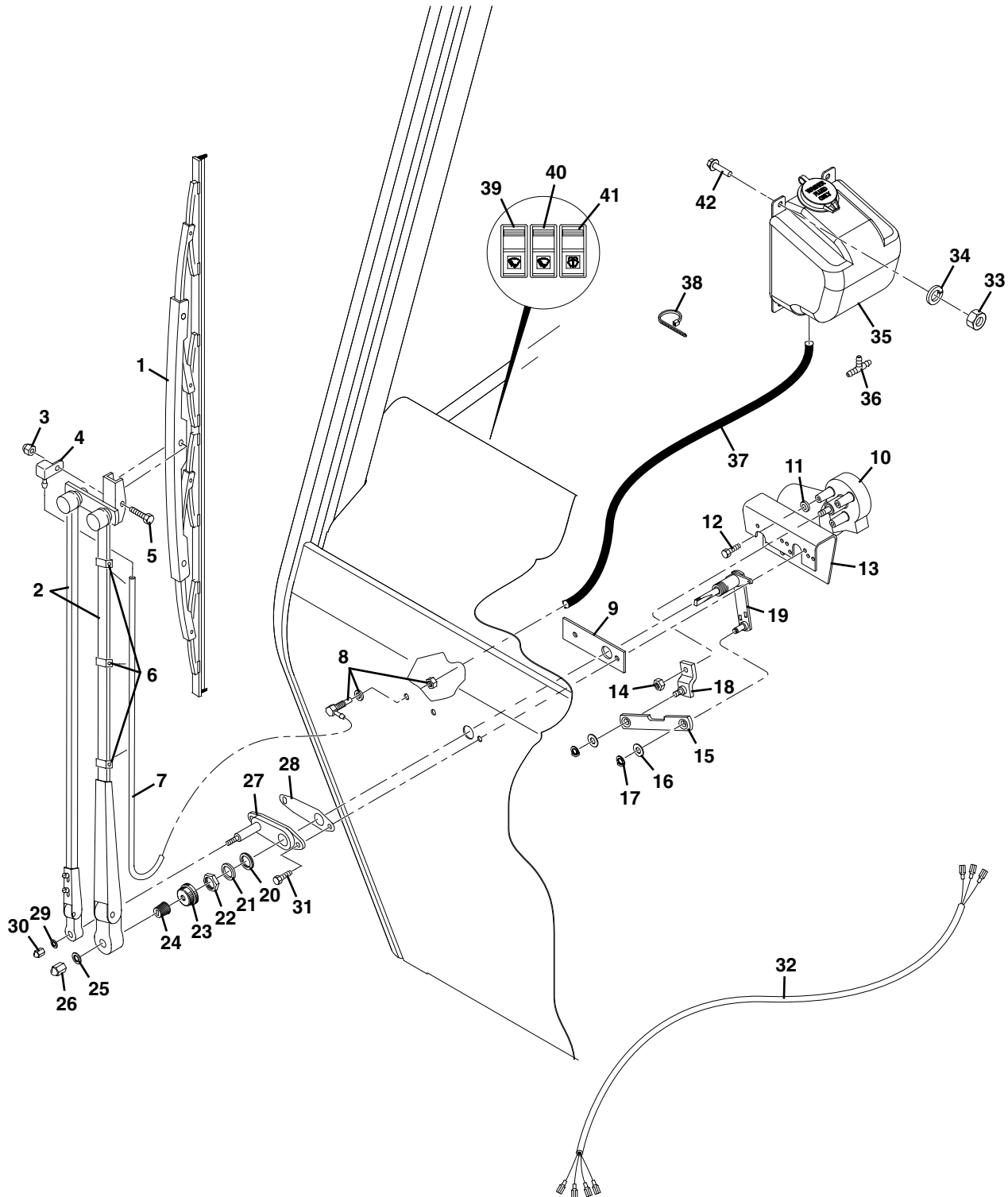
Figure 6-5 Operators Seat

Item	Part Number	Qty.	Description	Rev.
	3980039	1	SUSPENSION SEAT, (8042 S/N 0160010401 thru 0160034228), (10042 S/N 0160010401 thru 0160034239), (10054 S/N 0160010401 thru 0160034229), (includes items 1 thru 7)	C
	1001101085	1	SUSPENSION SEAT, (8042 S/N 0160034229 & After), (10042 S/N 0160034240 & After), (10054 S/N 0160034230 & After), (includes items 1 thru 7)	B
1	7026900	1	BACK CUSHION KIT	
2	7026902	1	BACK PANEL KIT WITH MANUAL CASE, (8042 S/N 0160010401 thru 0160034228), (10042 S/N 0160010401 thru 0160034239), (10054 S/N 0160010401 thru 0160034229)	
	70023558	1	BACK PANEL KIT WITHOUT MANUAL CASE, (8042 S/N 0160034229 & After), (10042 S/N 0160034240 & After), (10054 S/N 0160034230 & After)	
3	7026905	1	SEAT BELT KIT	
	91563164	1	SEAT BELT, 3IN (California Only), (not included with p/n 3980039/1001101085)	
4	7026906	1	TETHER KIT	
5	7026901	1	SEAT CUSHION KIT	
6	7026799	1	KNOB KIT	
7	7026798	1	SLIDE KIT	
8	70023040	1	SHOCK ABSORBER KIT, (not shown), (includes one shock absorber, two shock pins & two hex nuts)	
9	70023041	1	SPRING & SADDLE KIT, (not shown)	
10	70023890	1	BOOT KIT, (not shown)	
101	8305626	6	HEX LOCKNUT, 5/16-18	
102	8307106	6	PLAIN WASHER, 0.312	
103	7138858	1	ARM REST	
K1	70023139	1	SEAT BELT KIT, 3 IN, (includes female & retractor ends)	



CAB

Figure 6-6 Front Windshield Wiper



PAP3960



Figure 6-6 Front Windshield Wiper

Item	Part Number	Qty.	Description	Rev.
	8036056	1	FRONT WINDSHIELD WIPER ASSY, (includes items 1 thru 31)	
1	8035392	1	28 IN WIPER FLEX BLADE	
2	8035393	1	24 IN FLEX WIPER ARM ASSY, (includes items 3 thru 7)	
3	NSS	1	LOCKNUT	
4	NSS	1	SPRAYER NOZZLE	
5	NSS	1	BOLT	
6	NSS	3	CLIPS, HOSE	
7	NSS	1	HOSE	
8	1001081310	1	WET ARM ADAPTOR	
9	8036100	1	FRONT WIPER MOTOR SPACER	
10	7029860	1	WIPER MOTOR ASSY, (includes items 11 thru 17)	
11	NSS	3	FLAT WASHER, 5/16	
12	NSS	3	HEX HD CAPSCREW, 1/4-28X1	
13	NSS	1	WIPER MOTOR BRACKET	
14	NSS	1	NUT	
15	8035409	1	CONNECTING LINK	
16	NSS	2	FLAT WASHER, 0.560X0.251X0.015	
17	NSS	2	SPRING CLIP	
18	8035411	1	WIPER ARM DRIVE	
19	8036099	1	WIPER SHAFT & PIVOT ASSY, (includes items 20 thru 26)	
20	NSS	1	RUBBER WASHER	
21	NSS	1	METAL WASHER	
22	NSS	1	HEX JAM NUT, 11/16-18	
23	NSS	1	RUBBER CAP	
24	NSS	1	KNURLED DRIVER	
25	NSS	1	LOCKWASHER, 3/8, (internal tooth)	
26	NSS	1	ACORN NUT, 1/4-28	
27	8034815	1	PANTO ADAPTER ASSY, (includes items 28 thru 30)	
28	NSS	1	GASKET	
29	NSS	1	LOCKWASHER, 1/4, (internal tooth)	
30	NSS	1	ACORN NUT, 1/4-28	
31	80384207	2	HEX HD CAPSCREW, 1/4-28X3/4	
32	8036070	1	WIPER HARNESS	
33	8035479	3	NUT, 1/4-20	
34	8035416	3	LOCKWASHER, 1/4	
35	8033065	1	RESERVOIR WITH 12 VOLT MOTOR, (no longer available, use 100111112 for replacement)	
	100111112	1	RESERVOIR WITH MOTOR	
36	8036072	1	WASHER HOSE CONNECTOR TEE	
37	8033075	1	WASHER HOSE, 120	
38	8584001	AR	TIE WRAP	
39	8223043	1	FRONT WINDSHIELD WIPER SWITCH	
40		Ref	SKYLIGHT WINDSHIELD WIPER SWITCH, (see Figure 6-7 for details)	
41	8223044	1	WINDSHIELD WASHER SWITCH	
42	80264045	3	SCREW, 1/4-20X5/8	



CAB

Figure 6-7 Skylight Windshield Wiper

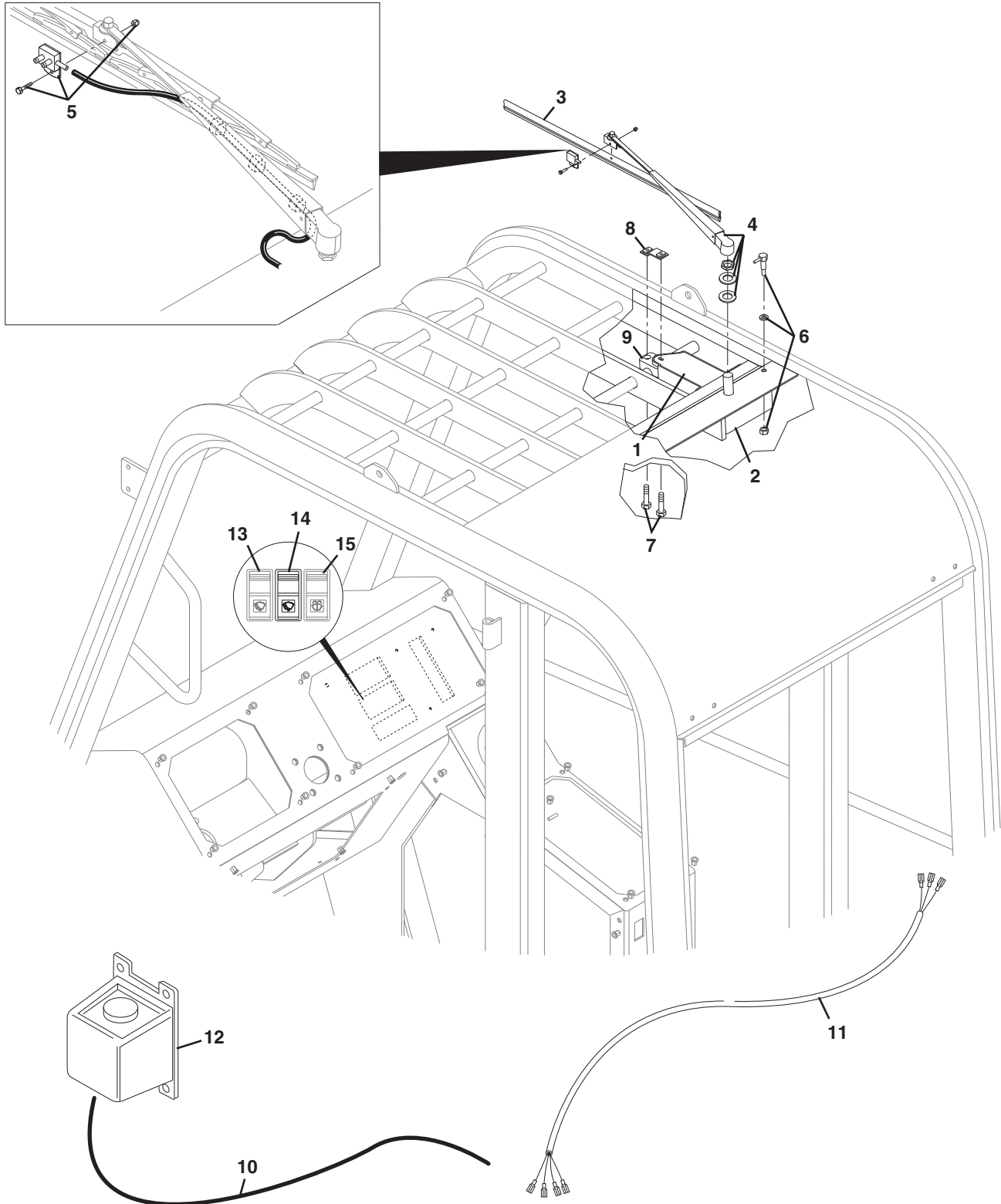
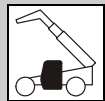




Figure 6-7 Skylight Windshield Wiper

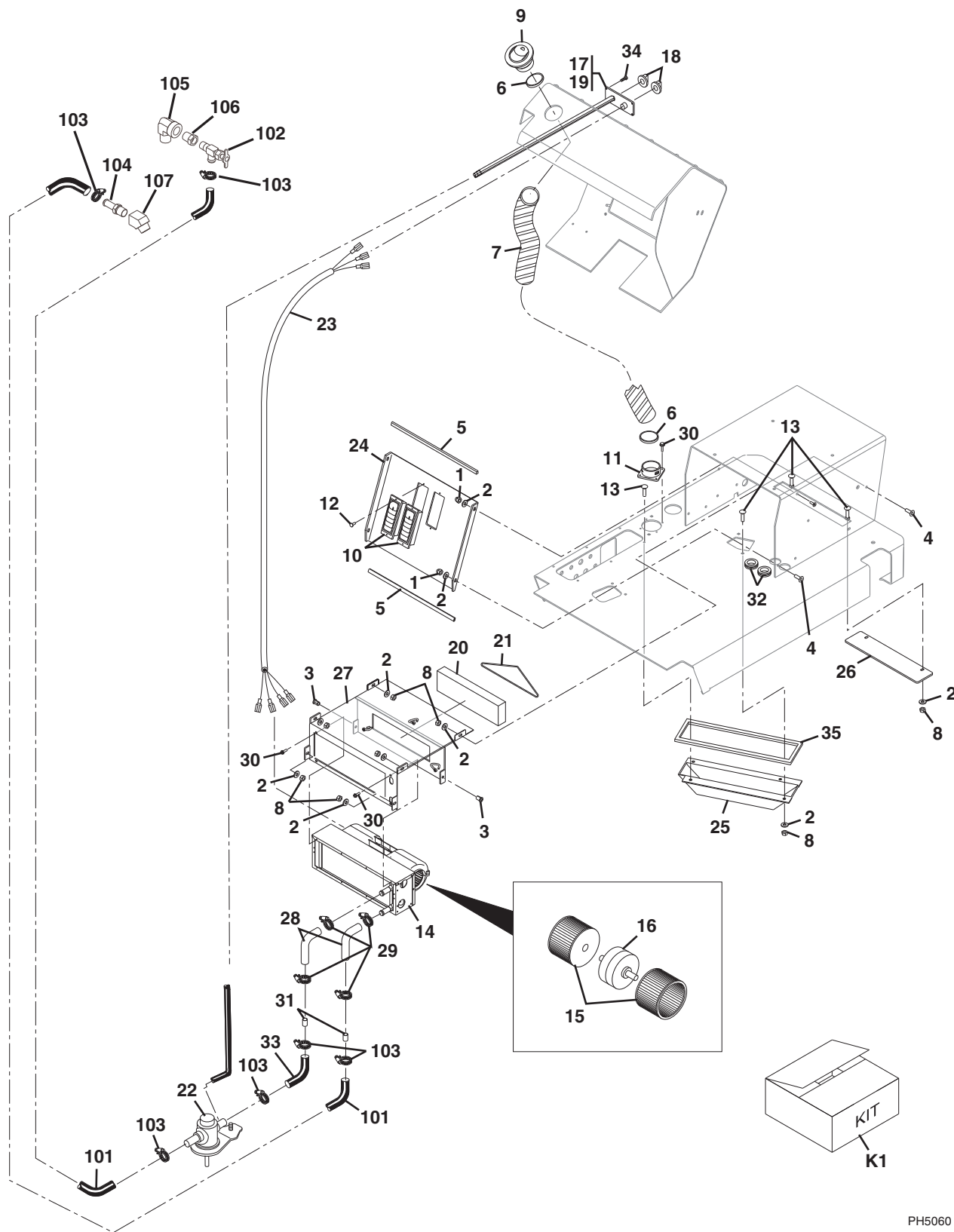
Item	Part Number	Qty.	Description	Rev.
	8036049	1	SKYLIGHT WIPER ASSY, (includes items 1 thru 9)	
1	8035492	1	SKYLIGHT WIPER MOTOR	
2	8035493	1	WIPER MOTOR COVER	
3	8035498	1	WIPER BLADE	
4	8035500	1	WIPER ARM	
5	8035499	1	WET KIT	
6	1001081310	1	WET ARM ADAPTER	
7	8036102	2	MACHINE SCREW, #10-24X1-1/2	
8	8035496	1	PLASTIC CLAMP BLOCK	
9	8036103	1	WIPER MOUNT WELDMENT	
10		Ref	WASHER HOSE, 120, (see Figure 6-6 for details)	
11		Ref	WIPER HARNESS, (see Figure 6-6 for details)	
12		Ref	RESERVOIR WITH 12V MOTOR, (see Figure 6-6 for details)	
13		Ref	FRONT WINDSHIELD WIPER SWITCH, (see Figure 6-6 for details)	
14	8223043	1	SKYLIGHT WINDSHIELD WIPER SWITCH	
15		Ref	FRONT WASHER SWITCH, (see Figure 6-6 for details)	



CAB

8042 S/N 13198 thru 19987 & 0160002332 thru 0160031884
 10042 S/N 13198 thru 19987 & 0160002332 thru 0160031656
 10054 S/N 13198 thru 19987 & 0160002332 thru 0160031886

Figure 6-8 Cab Heater



PH5060



Figure 6-8 Cab Heater

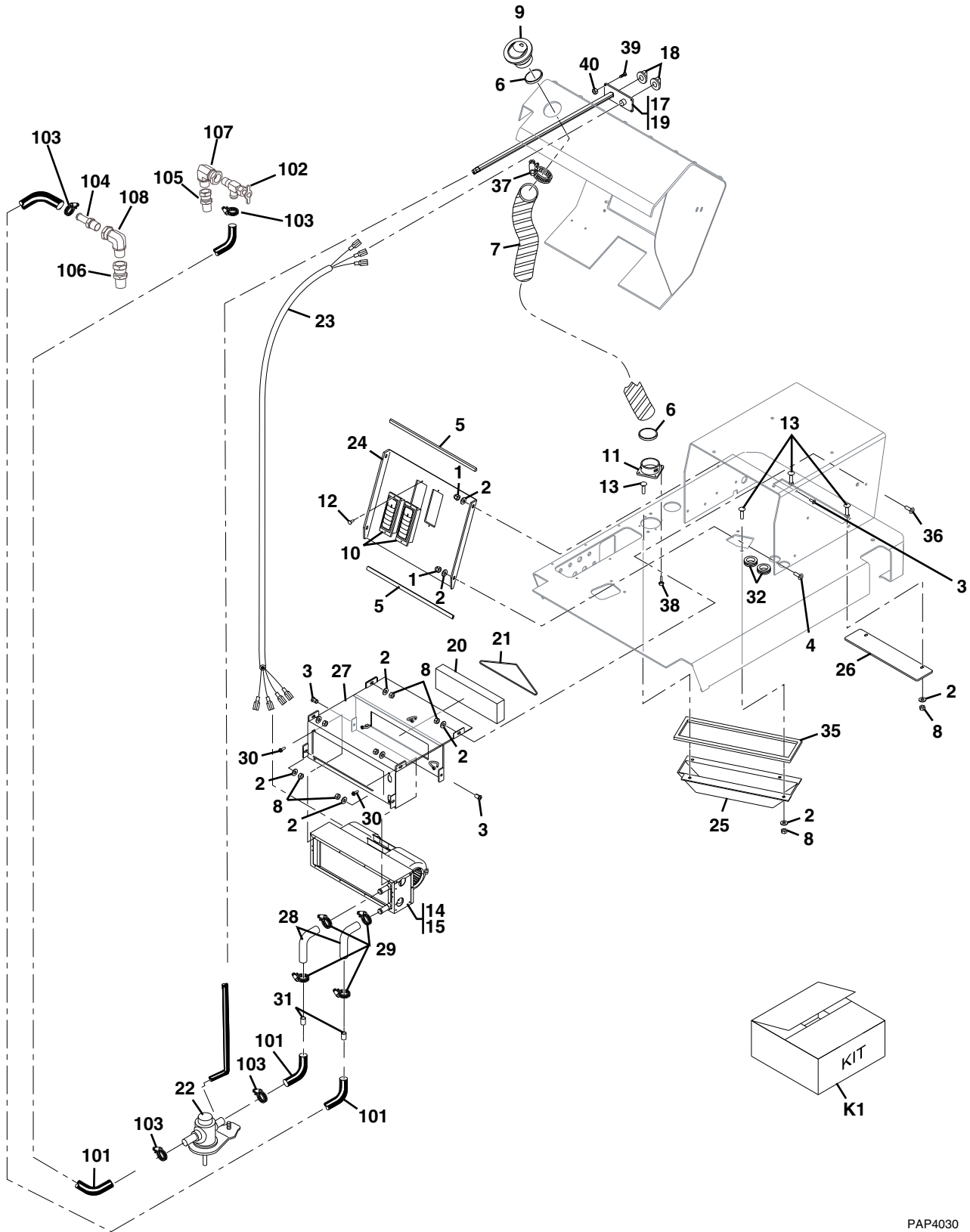
Item	Part Number	Qty.	Description	Rev.
	7139049	1	CAB HEATER ASSY, (includes items 1 thru 32)	
1	8035479	4	ACORN NUT, 1/4-20	
2	8035416	16	LOCKWASHER, 1/4 IDX.49 OD	
3	1001103509	2	HEX PILOT RIVNUT, 1/4-20X.305	
4	8035487	12	SCREW, 1/4-20X.625	
5	80364020	2	SLOT EDGE TRIM, 2.69	
6	8035406	2	WIDE NYLON TIE	
7	8036110	1	FLEX HOSE ASSY	
8	8035417	12	HEX NUT, 1/4-20, GR5	
9	8035402	1	4 IN ROUND LOUVER, WITH 2-1/2 COLLAR	
10	8035668	2	RECTANGULAR LOUVER, 49mmX121mm	
11	8035431	1	HOSE ADAPTER, 2-1/2	
12	8036111	4	PAN HEAD SELF-TAPPING SCREW, #6X3/4	
13	8036112	6	CARRIAGE BOLT, 1/4-20X1	
14	1001081043	1	HEATER, 12V, (includes items 15 & 16)	
15	8036421	2	BLOWER WHEEL	
16	8036422	1	MOTOR, 12V	
17	8036114	1	PANEL/CABLE HEATER CONTROL, (includes item 18 & 19)	
18	8036388	2	POSITIONING KNOB, (includes set screw & brass insert)	
19	8036463	2	SWITCH	
20	1001081375	1	AIR FILTER	
21	1001081376	1	RUBBER O-RING	
22	1001081045	1	HEATER WATER VALVE	
23	8036118	1	HEATER WIRE HARNESS	
24	8036119	1	HEATER LOUVER PANEL	
25	8036120	1	HEATER DUCT	
26	8036121	1	FILTER ACCESS PLATE	
27	8036122	1	HEATER MOUNT WELDMENT	
28	8036124	2	RUBBER HOSE, 90 DEGREES	
29	1001081072	4	HOSE CLAMP, 1/2X1-1/4	
30	80384221	8	SELF-TAPPING SCREW, #8-32X.50	
31	1001109417	2	COPPER SPLICE, 5/8 HEATER HOSE	
32	1001081049	2	SPLIT RUBBER GROMMET	
33	6620472	1	HEATER HOSE ASSY	
34	8303034	4	TRUSS HD TORX SCREW, 1/4-20X3/4	
35	8035599	1	FOAM, 0.25X0.5	
	7301866	Ref	CAB HEATER HOSE INSTALLATION, (not available to order, see items 101 thru 107 for service)	E
101	7139174	2	HEATER HOSE ASSY	
102	8360005	1	SHUT OFF VALVE	
103	8405007	6	GEAR CLAMP, 1.25 DIA MAX	
104	8430048	1	PIPE THREAD REDUCER, 10-8P	
105	8540218	1	ADAPTER, 90 DEGREES	
106	2220251	1	PIPE THREAD REDUCER, 6-8P	
107	8540231	1	ADAPTER, 45 DEGREES	
K1	7148100	1	FIELD INSTALL HEATER KIT, (includes items 1 thru 33, 101 thru 104 & 106)	



CAB

8042 S/N 0160031885 & After
10042 S/N 0160031657 & After
10054 S/N 0160031887 & After

Figure 6-8 Cab Heater



PAP4030



Figure 6-8 Cab Heater

Item	Part Number	Qty.	Description	Rev.
	7139049	Ref	CAB HEATER ASSY, (no longer available, order 1001125837 or see item 1 thru 32 for service)	B
	1001125837	1	CAB HEATER KIT, (includes items 1 thru 40)	1
1	8035479	4	ACORN NUT, 1/4-20	
2	8035416	14	LOCKWASHER, 1/4 IDX.49 OD	
3	1001103509	4	HEX PILOT RIVNUT, 1/4-20X.305	
4	91344043	4	BOLT, 1/4-20X.305	
5	80364020	2	SLOT EDGE TRIM, 2.69	
6	8035406	2	WIDE NYLON TIE	
7	8036110	1	FLEX HOSE ASSY	
8	8035417	12	HEX NUT, 1/4-20, GR5	
9	8035402	1	4 IN ROUND LOUVER, WITH 2-1/2 COLLAR	
10	8035668	2	RECTANGULAR LOUVER, 49mmX121mm	
11	8035431	1	HOSE ADAPTER, 2-1/2	
12	1001081073	8	PAN HEAD SELF-TAPPING SCREW, #8-15X1/2	
13	8036112	6	CARRIAGE BOLT, 1/4-20X1	
14	1001125774	1	HEATER, 12V, (includes items 15)	
15	1001126234	2	MOTOR, 12V	
17	8036114	1	PANEL/CABLE HEATER CONTROL, (includes item 18 & 19)	
18	8036388	2	POSITIONING KNOB, (includes set screw & brass insert)	
19	8036463	2	SWITCH	
20	1001081375	1	AIR FILTER	
21	1001081376	1	RUBBER O-RING	
22	1001081045	1	HEATER WATER VALVE	
23	8036118	1	HEATER WIRE HARNESS	
24	70020631	1	HEATER LOUVER PANEL	
25	8036120	1	HEATER DUCT	
26	8036121	1	FILTER ACCESS PLATE	
27	8036122	1	HEATER MOUNT WELDMENT	
28	8036124	2	RUBBER HOSE, 90 DEGREES	
29	1001081072	4	HOSE CLAMP, 1/2X1-1/4	
30	80384221	8	SELF-TAPPING SCREW, #8-32X.50	
31	1001081046	2	COPPER SPLICE, 5/8 HEATER HOSE	
32	1001081049	2	SPLIT RUBBER GROMMET	
35	8035599	1	FOAM, 0.25X0.5	
36	8033856	8	SCREW, 1/4-20X3/4	
37	8405202	1	HOSE CLAMP, SAE #36	
38	91404298	4	RIVET	
39	8036128	4	SCREW, #6-32X1/2	
40	8036129	4	NYLOCK NUT, # 6-32	
	1001097993	Ref	CAB HEATER HOSE INSTALLATION, (no longer available, see items 101 thru 108 for service)	A
101	7139174	2	HEATER HOSE ASSY	
102	8360005	1	SHUT OFF VALVE	
103	8405007	5	GEAR CLAMP, 1.25 DIA MAX	
104	8430048	1	PIPE THREAD REDUCER, 10-8P	
105	2220008	1	STRAIGHT CONNECTOR, (swivel nut)	
106	2220009	1	STRAIGHT CONNECTOR, (swivel nut)	

**CAB**

8042 S/N 0160031885 & After
10042 S/N 0160031657 & After
10054 S/N 0160031887 & After

Figure 6-8 Cab Heater (Continued)

Item	Part Number	Qty.	Description	Rev.
107	2220067	1	ELBOW, 90 DEGREES	
108	2220070	1	ELBOW, 90 DEGREES, (swivel nut)	
K1	7148100	1	FIELD INSTALL HEATER KIT, (includes items 1 thru 32, 101 thru 104)	

8042 S/N 0160031885 & After
10042 S/N 0160031657 & After
10054 S/N 0160031887 & After

CAB



Figure 6-8 Cab Heater (Continued)

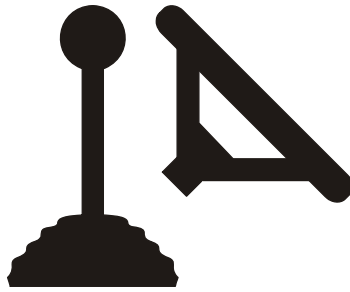
Item	Part Number	Qty.	Description	Rev.



CAB

This Page Intentionally Left Blank

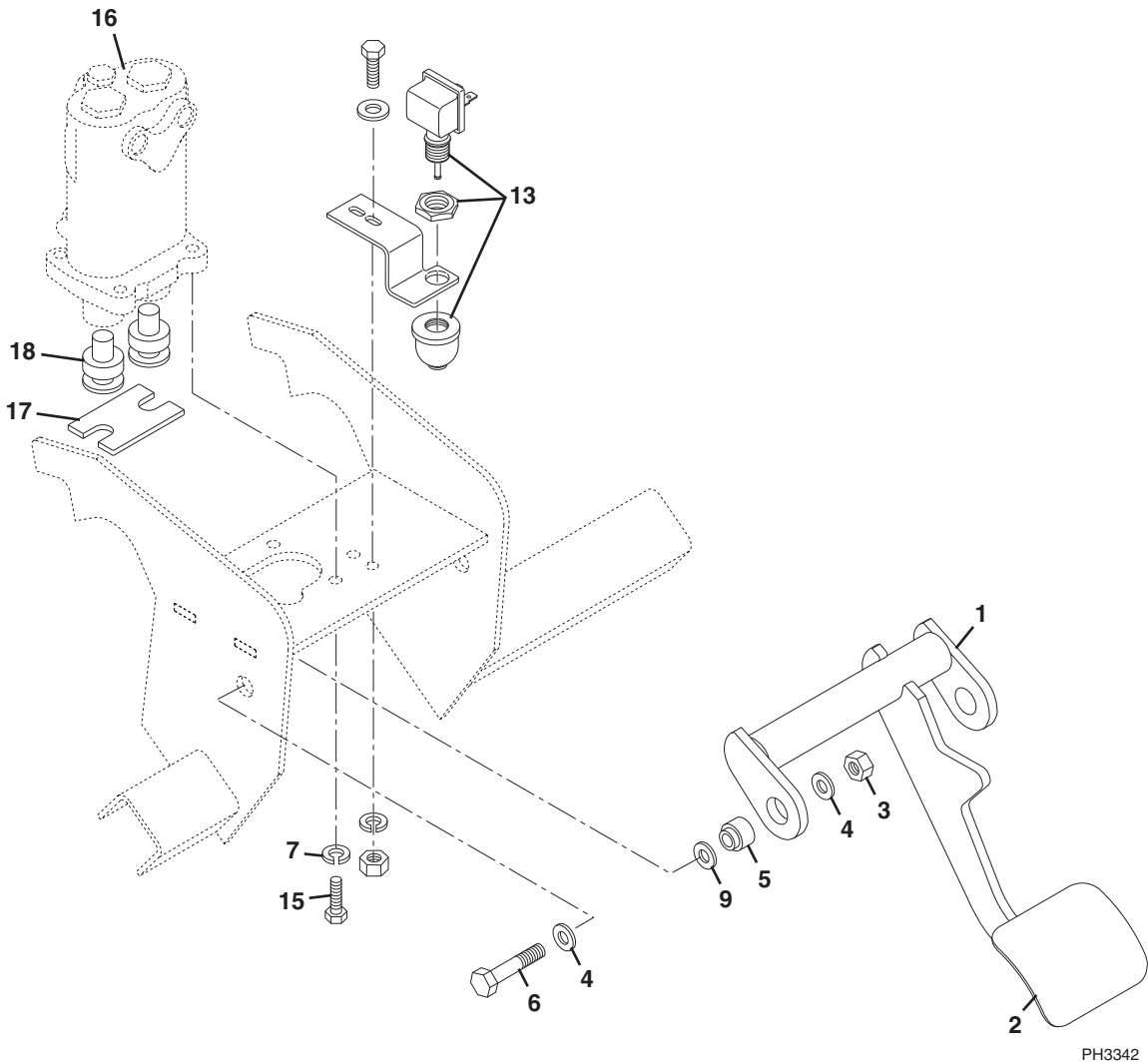
SECTION 7 CONTROLS





CONTROLS

Figure 7-1 Service Brake Pedal Control



PH3342



Figure 7-1 Service Brake Pedal Control

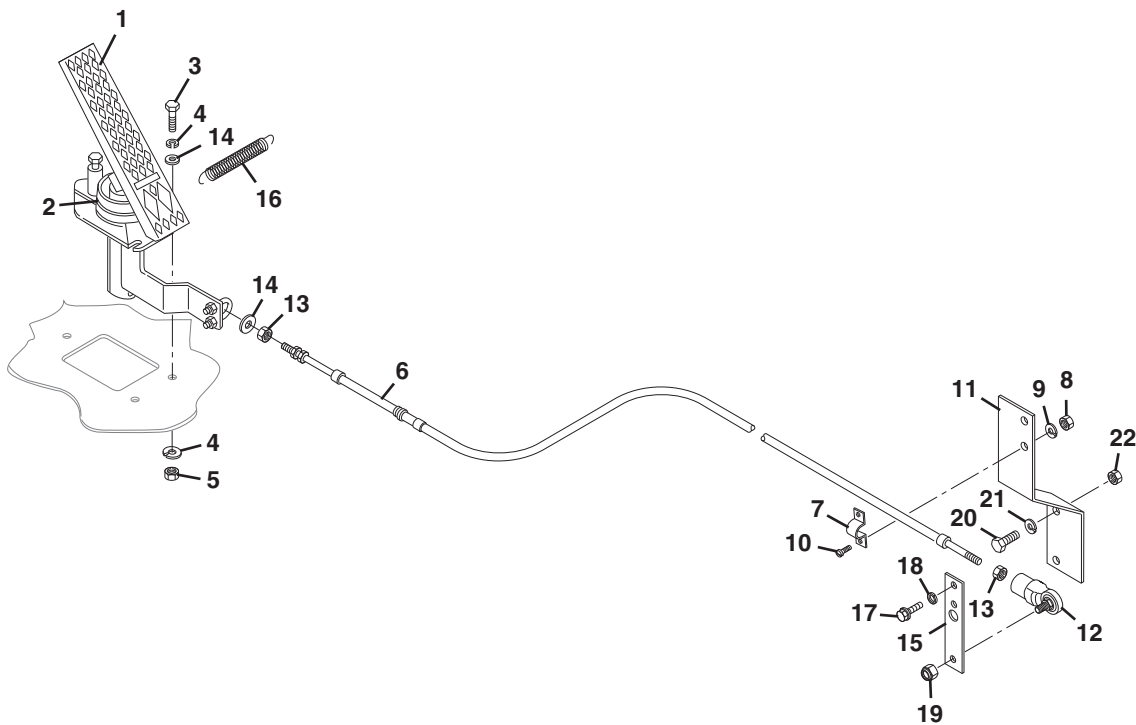
Item	Part Number	Qty.	Description	Rev.
1	8024024	1	SERVICE BRAKE PEDAL KIT, (includes items 2 thru 6)	
2	7139027	1	BRAKE PEDAL, (8042 Before S/N 0160038967 including 0160038971 & 0160038984), (10042 Before S/N 0160038368 including 0160038375), (10054 Before S/N 0160038740 excluding 0160021270, 0160036713, 0160036715, 0160036721 & 0160036723)	
	1001103113	1	BRAKE PEDAL, (8042 S/N 0160038967 & After excluding 0160038971 & 0160038984), (10042 S/N 0160038368 & After excluding 0160038375), (10054 S/N 0160038740 & After including 0160021270, 0160036713, 0160036715, 0160036721 & 0160036723)	
3	8305644	2	STOP NUT, 1/2-13	
4	8307206	4	FLAT WASHER, 1/2	
5	7129521	2	BRAKE PEDAL PIVOT	
6	8303658	2	HEX HD CAPSCREW, 1/2-13X2	
7	8307023	4	LOCKWASHER, M10	
9	5724302	AR	SHIM	
13		Ref	SERVICE BRAKE SWITCH, (see Figure 10-1 for details)	
14	8307002	2	LOCKWASHER, 1/4	
15	8303755	4	HEX HD CAPSCREW, M10-1.5X30mm	
16		Ref	BRAKE VALVE, (see Figure 8-1 for details)	
17	91511145	1	TIE BAR	
18	91513180	2	ACTUATOR	



CONTROLS

8042 S/N 13198 thru 18990
10042 S/N 13198 thru 19030
10054 S/N 13198 thru 19079

Figure 7-2 Throttle Pedal Control



8042 S/N 13198 thru 18990
 10042 S/N 13198 thru 19030
 10054 S/N 13198 thru 19079



Figure 7-2 Throttle Pedal Control

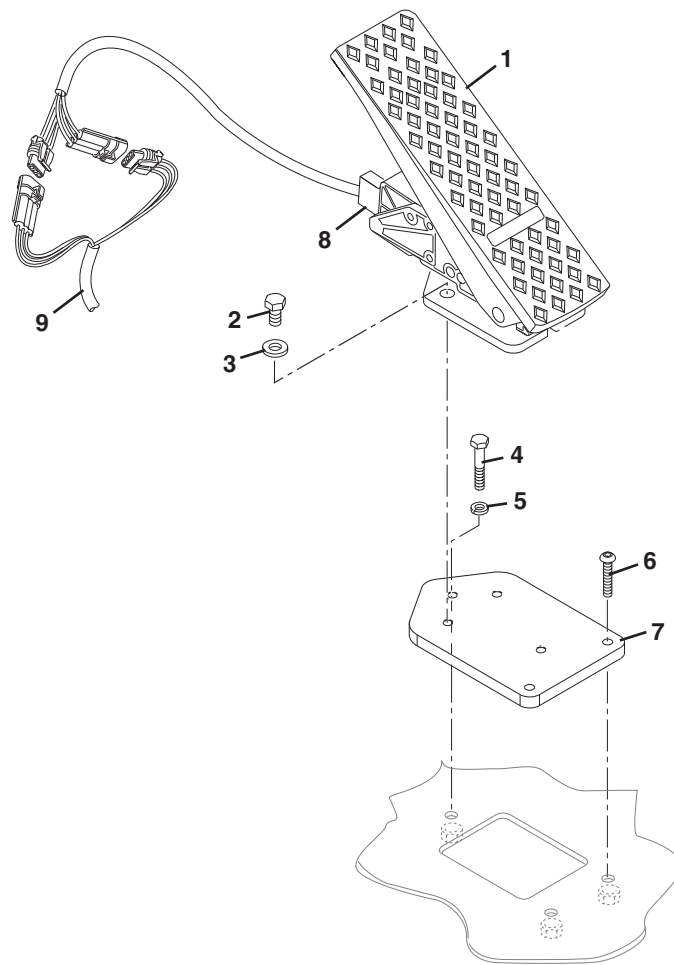
Item	Part Number	Qty.	Description	Rev.
1	8162003	1	THROTTLE PEDAL, (includes item 2)	
2	8033178	1	THROTTLE PEDAL BELLOWS	
3	8303540	3	HEX HD CAPSCREW, 1/4-20X1	
4	8307002	3	LOCKWASHER, 1/4	
5	8305004	3	HEX NUT, 1/4-20	
6	8160080	1	THROTTLE CABLE	
7	8160610	1	CABLE CLAMP	
8	8305002	2	HEX NUT, #10-24	
9	8307003	2	LOCKWASHER, #10	
10	8303837	2	ROUND HD SCREW, #10-24X3/4	
11	7127102	1	THROTTLE CABLE BRACKET	
12	8340034	1	ROD END	
13	8305402	2	JAM NUT, 1/4	
14	8307109	AR	FLAT WASHER, 1/4	
15	7127091	1	THROTTLE LEVER EXTENSION	
16	8700116	1	SPRING	
17	8303799	2	HEX HD CAPSCREW, M6X14mm	
18	8307024	2	LOCKWASHER, M6	
19	8305650	1	LOCKNUT, 1/4	
20	8303790	2	HEX HD CAPSCREW, M12X30mm	
21	8307025	2	LOCKWASHER, M12	
22	8305624	2	HEX LOCKNUT	



CONTROLS

8042 S/N 18991 thru 19987 & 0160002332 thru 0160016590
10042 S/N 19031 thru 19987 & 0160002332 thru 0160016667
10054 S/N 19080 thru 19987 & 0160002332 thru 0160016706

Figure 7-2 Throttle Pedal Control



8042 S/N 18991 thru 19987 & 0160002332 thru 0160016590
 10042 S/N 19031 thru 19987 & 0160002332 thru 0160016667
 10054 S/N 19080 thru 19987 & 0160002332 thru 0160016706

CONTROLS



Figure 7-2 Throttle Pedal Control

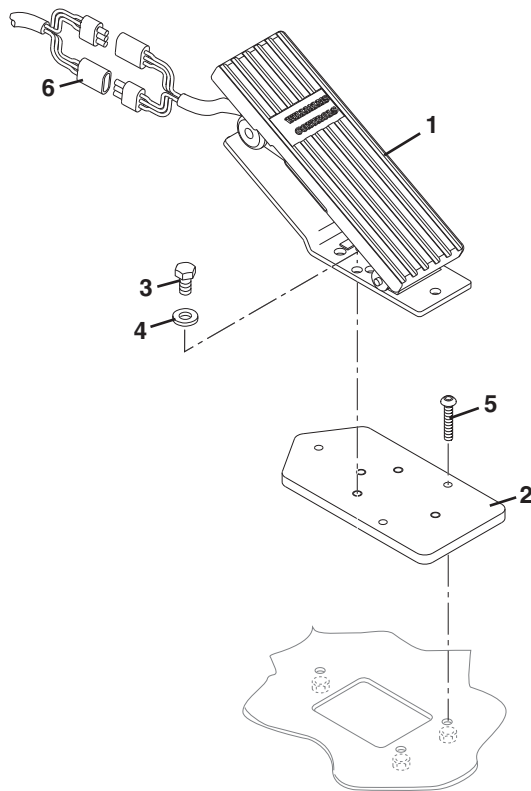
Item	Part Number	Qty.	Description	Rev.
1	8162007	1	THROTTLE PEDAL, (accelerator), (includes item 8)	
2	8303745	3	HEX HD CAPSCREW, 5/16-18X5/8, GR5	
3	8307106	3	PLAIN WASHER, 5/16	
4	8303743	1	HEX HD CAPSCREW, 1/4-20X1-1/2, GR5	
5	8307002	1	LOCKWASHER, 1/4	
6	8310725	2	SCREW BUTTON HEAD CAP, 1/4-20X1-1/4	
7	7301530	1	THROTTLE ADAPTOR PLATE	
8	7029516	1	POTENTIOMETER	
9		Ref	ECM HARNESS, (see Figure 10-1 for details)	



CONTROLS

8042 S/N 0160016610 & After
10042 S/N 0160016668 & After
10054 S/N 0160016729 & After

Figure 7-2 Throttle Pedal Control



8042 S/N 0160016610 & After
10042 S/N 0160016668 & After
10054 S/N 0160016729 & After

CONTROLS



Figure 7-2 Throttle Pedal Control

Item	Part Number	Qty.	Description	Rev.
	7301585	1	THROTTLE PEDAL ADAPTOR ASSY, (includes items 1 thru 5)	C
1	3400022	1	THROTTLE PEDAL, (accelerator)	
2	3576442	1	THROTTLE ADAPTOR PLATE	
3	8303745	4	HEX HD CAPSCREW, 5/16-18X5/8, GR5	
4	8307106	4	PLAIN WASHER, 5/16	
5	8310725	3	SCREW BUTTON HEAD CAP, 1/4-20X1-1/4	
6	7301514	1	ECM HARNESS	



Figure 7-3 Steering Wheel & Shifter

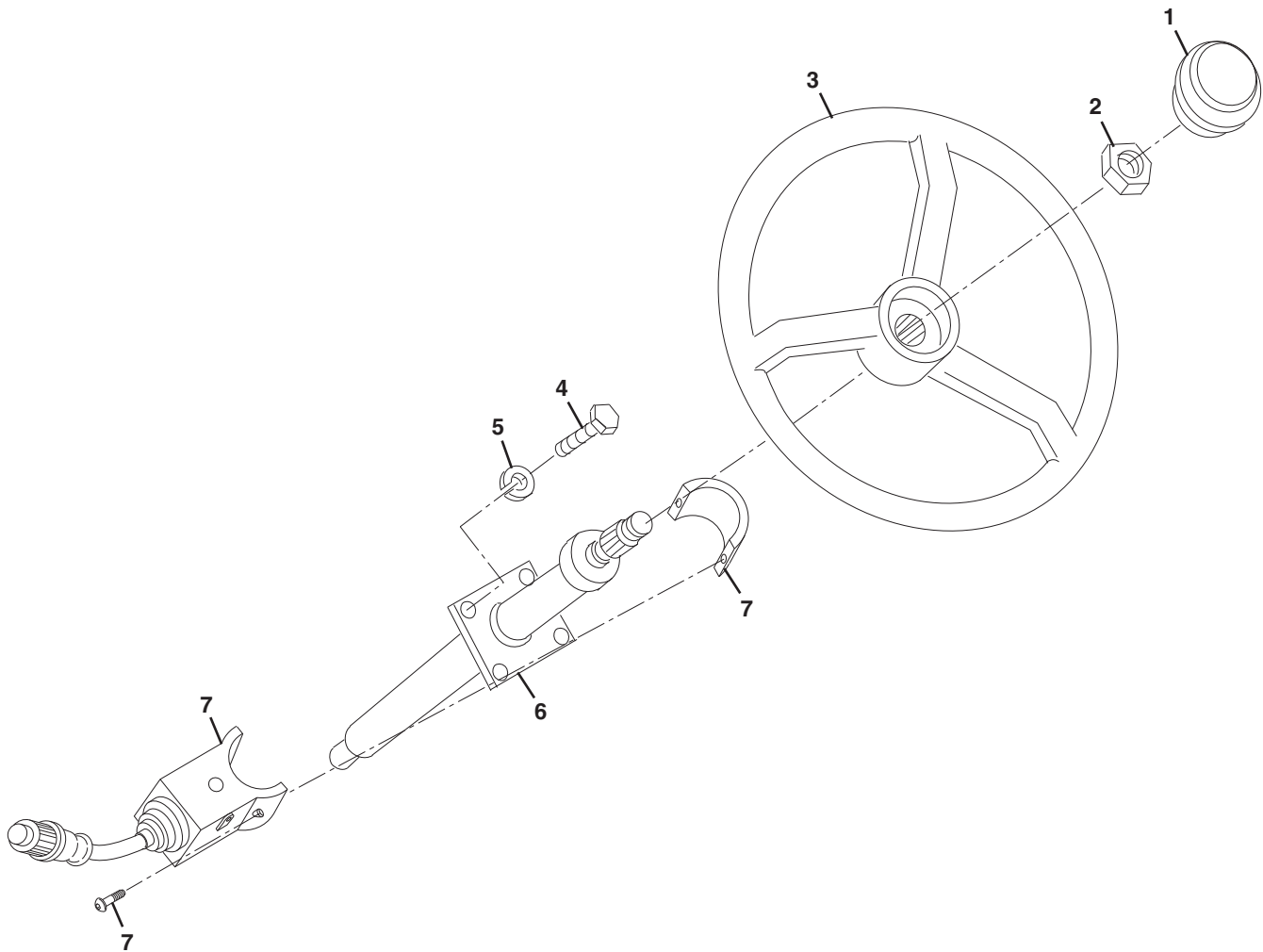




Figure 7-3 Steering Wheel & Shifter

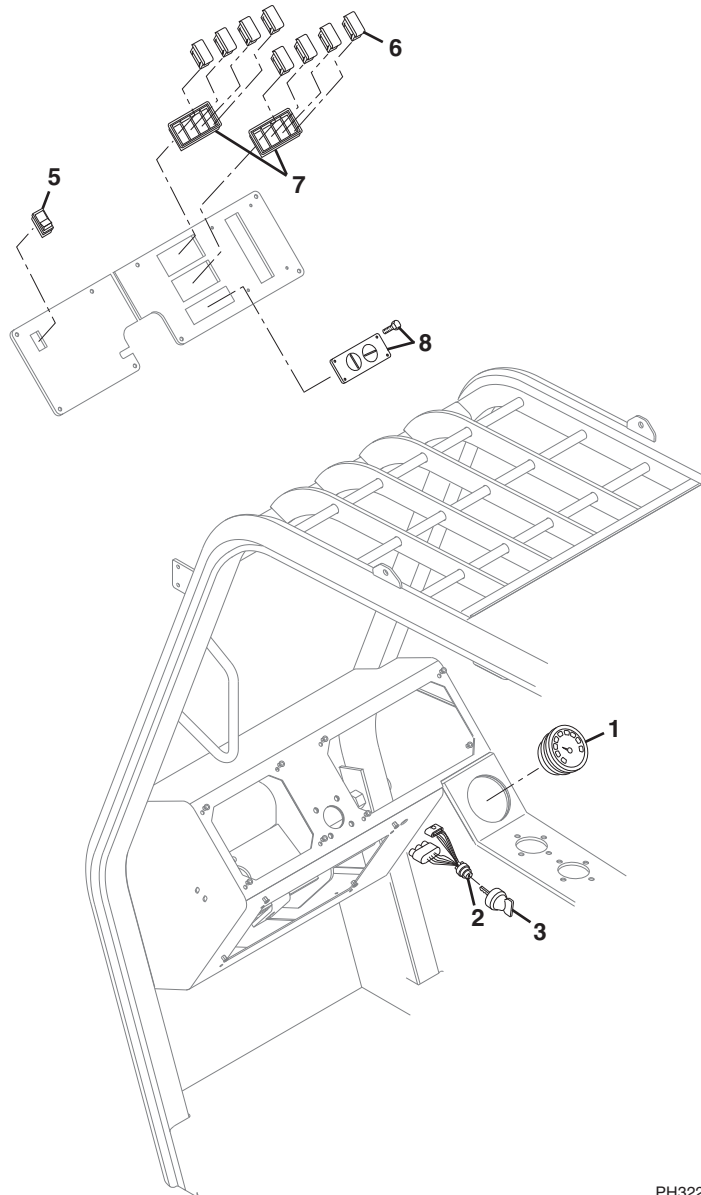
Item	Part Number	Qty.	Description	Rev.
1	7138878	1	STEERING WHEEL CAP WITH HORN SWITCH	
2	8305916	1	STEERING COLUMN NUT, (torque to 50 lb-ft)	
3	7138836	1	STEERING WHEEL	
4	8303534	4	FLANGE HD CAPSCREW, #10-16X1-1/4, (torque to 13 lb-ft)	
5	8307005	4	LOCKWASHER, 3/8	
6	7138833	1	STEERING COLUMN	
	7029367	1	HORN BRUSH KIT	
7	8223049	1	TRANSMISSION RANGE SELECTOR SHIFTER, (includes mounting hardware), (torque to 25 in-lb), (8042 S/N 13198 thru 19987 & 0160002332 thru 0160014248), (10042 S/N 13198 thru 19987 & 0160002332 thru 0160015195), (10054 S/N 13198 thru 19987 & 0160002332 thru 0160015198)	
	1600429	1	TRANSMISSION RANGE SELECTOR SHIFTER, (includes mounting hardware), (torque to 25 in-lb), (8042 S/N 0160015216 & After), (10042 S/N 0160015292 & After), (10054 S/N 0160015218 & After)	



CONTROLS

8042 S/N 13198 thru 18990
10042 S/N 13198 thru 19030
10054 S/N 13198 thru 19079

Figure 7-4 Control Console



PH3221

8042 S/N 13198 thru 18990
 10042 S/N 13198 thru 19030
 10054 S/N 13198 thru 19079

CONTROLS



Figure 7-4 Control Console

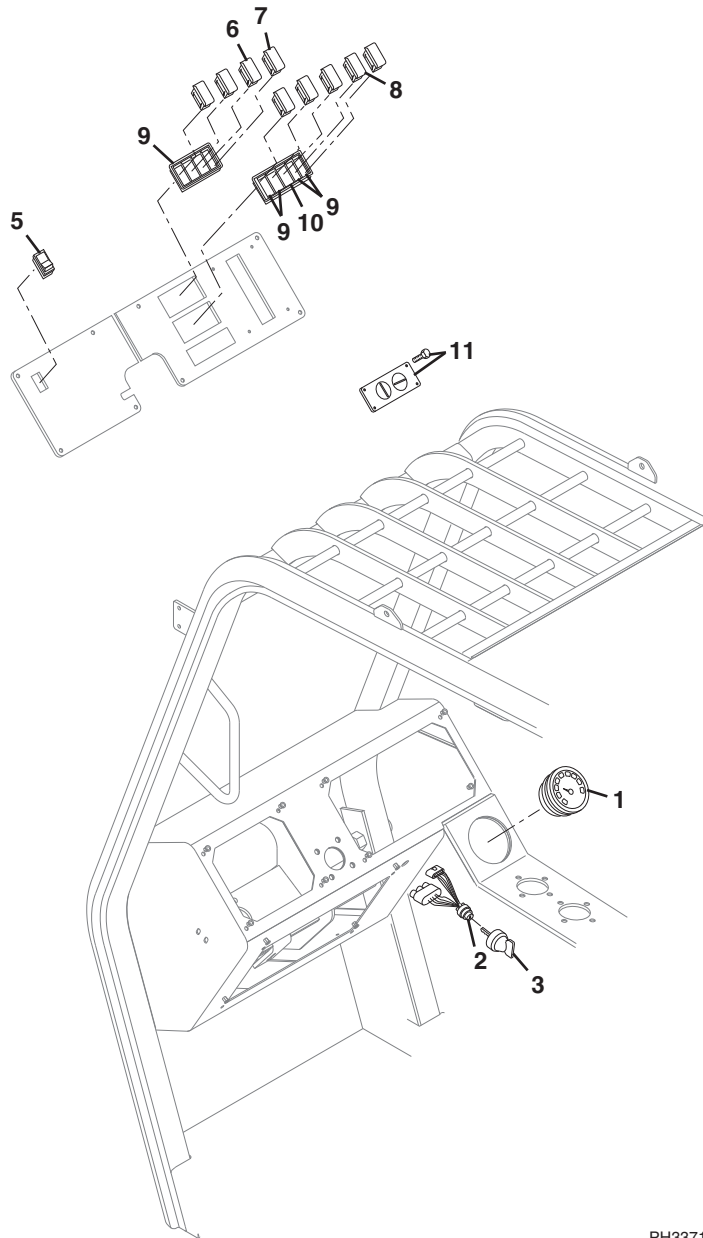
Item	Part Number	Qty.	Description	Rev.
1	7150708	1	INSTRUMENT CLUSTER, (includes hourmeter)	
2	8223453	Ref	IGNITION SWITCH, (includes item 3), (no longer available, use ignition switch 4360690 or kit 2915160 for replacement), (see Figure 12-9 for details)	
3	8035807	AR	KEY, (with cover)	
5	8223054	1	PARK BRAKE SWITCH	
6	8223037	1	STEER SELECT SWITCH	
7	8223046	2	4 POSITION BEZEL SWITCH	
8		Ref	PANEL/CABLE HEATER CONTROL, (see Figure 6-8 for details)	



CONTROLS

8042 S/N 18991 thru 19987 & 0160002332 & After
10042 S/N 19031 thru 19987 & 0160002332 & After
10054 S/N 19080 thru 19987 & 0160002332 & After

Figure 7-4 Control Console



PH3371



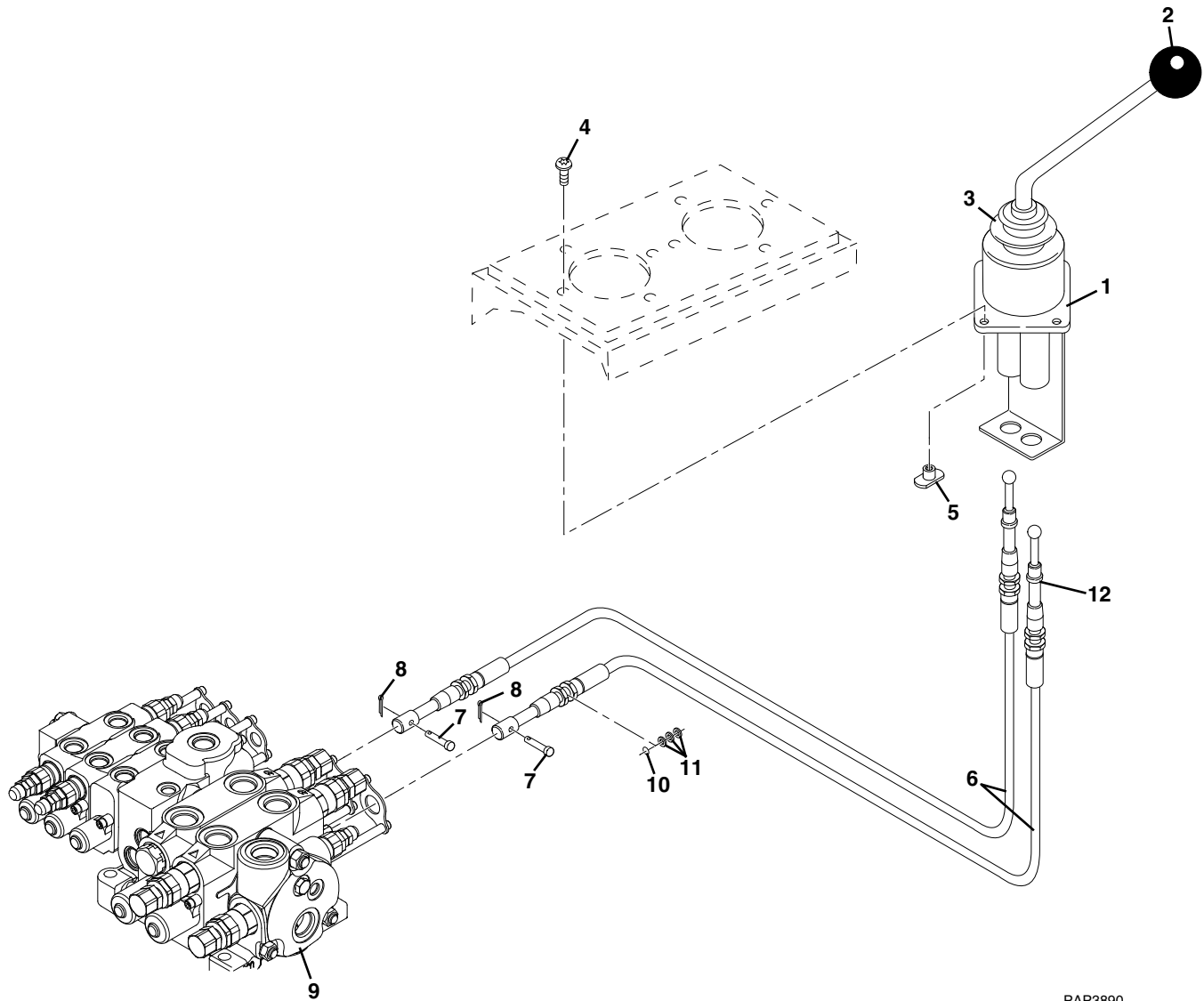
Figure 7-4 Control Console

Item	Part Number	Qty.	Description	Rev.
1	7150708	1	INSTRUMENT CLUSTER, (includes hourmeter)	
2	8223453	Ref	IGNITION SWITCH, (includes item 3), (8042 S/N 18991 thru 19987 & 0160002332 thru 0160023104), (10042 S/N 19031 thru 19987 & 0160002332 thru 0160023093), (10054 S/N 19080 thru 19987 & 0160002332 thru 0160023101), (no longer available, use ignition switch 4360690 or kit 2915160 on Figure 12-9 for replacement)	
	4360690	1	IGNITION SWITCH, (includes item 3), (8042 S/N 0160023253 & After), (10042 S/N 0160023341 & After), (10054 S/N 0160023254 & After)	
3	8035807	AR	KEY, (with cover)	
5	8223054	1	PARK BRAKE SWITCH	
6	8223082	1	ENGINE PREHEAT INDICATOR	
7	8223081	1	EMC INDICATOR	
8	8223037	1	STEER SELECT SWITCH	
9	8223046	2	4 POSITION BEZEL SWITCH	
10	8223083	1	1 POSITION BEZEL SWITCH	
11		Ref	PANEL/CABLE HEATER CONTROL, (see Figure 6-8 for details)	



CONTROLS

Figure 7-5 Boom Lift/Lower & Extend/Retract Control



PAP3890



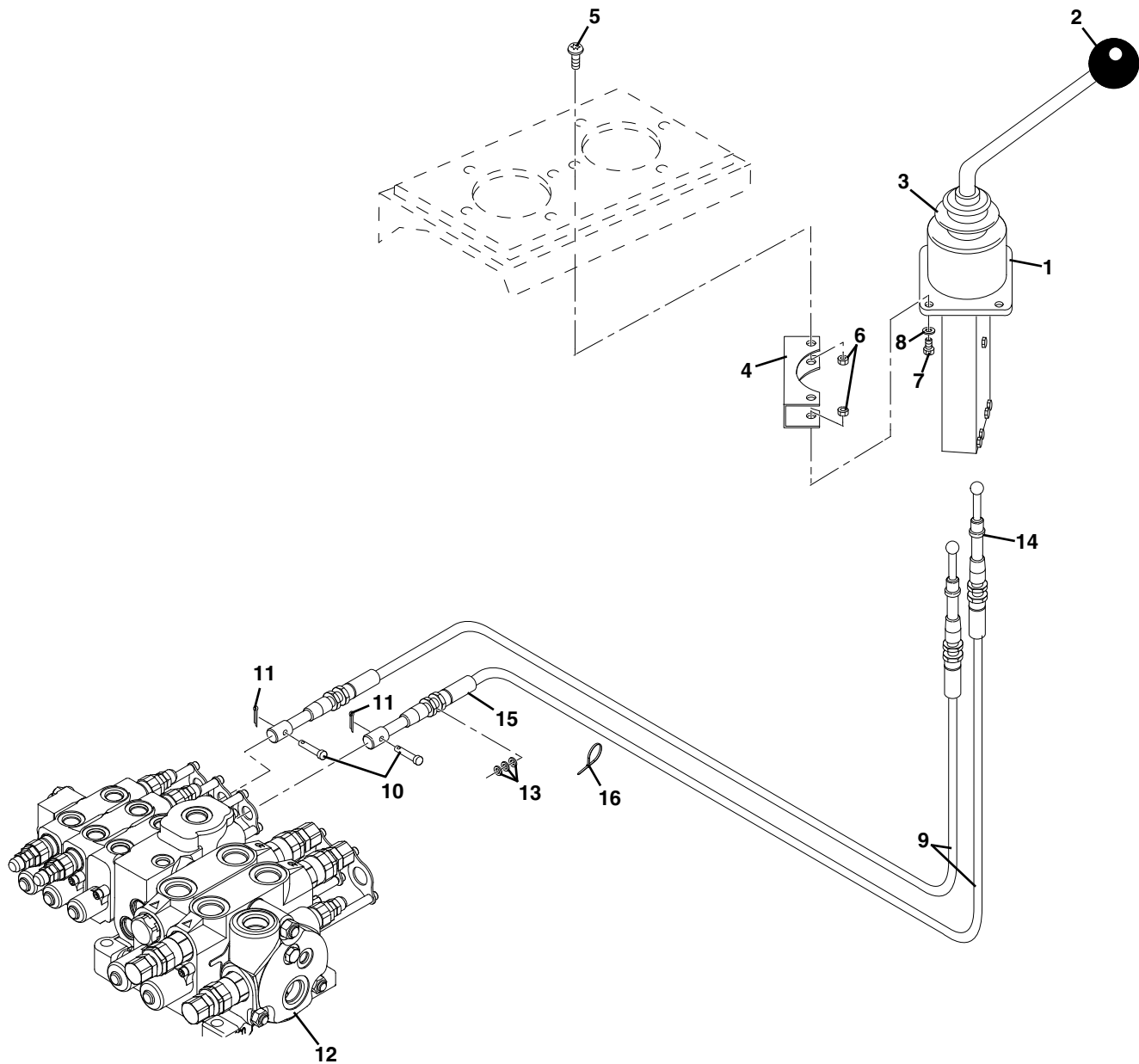
Figure 7-5 Boom Lift/Lower & Extend/Retract Control

Item	Part Number	Qty.	Description	Rev.
1	8224045	1	JOYSTICK WITH GATE, (includes items 2 & 3)	
2	8580110	1	KNOB	
3	8160419	1	BOOT	
4	8310143	4	TRUSS HD CAPSCREW, 1/4X1	
5	8310144	4	PROP TEE NUT	
6	1001132551	2	CONTROL CABLE	
7	8301443	2	CLEVIS PIN, 3/16X1	
8	8302470	2	HAIR PIN, 3/32	
9		Ref	MAIN CONTROL VALVE, (see Figure 9-9 for details)	
10	8630021	2	O-RING	
11	4812300	6	FLAT WASHER, M16	
12	0100011	AR	LOCTITE® 242™	



CONTROLS

Figure 7-6 Frame Sway & Attachment Tilt Control



PAP3901



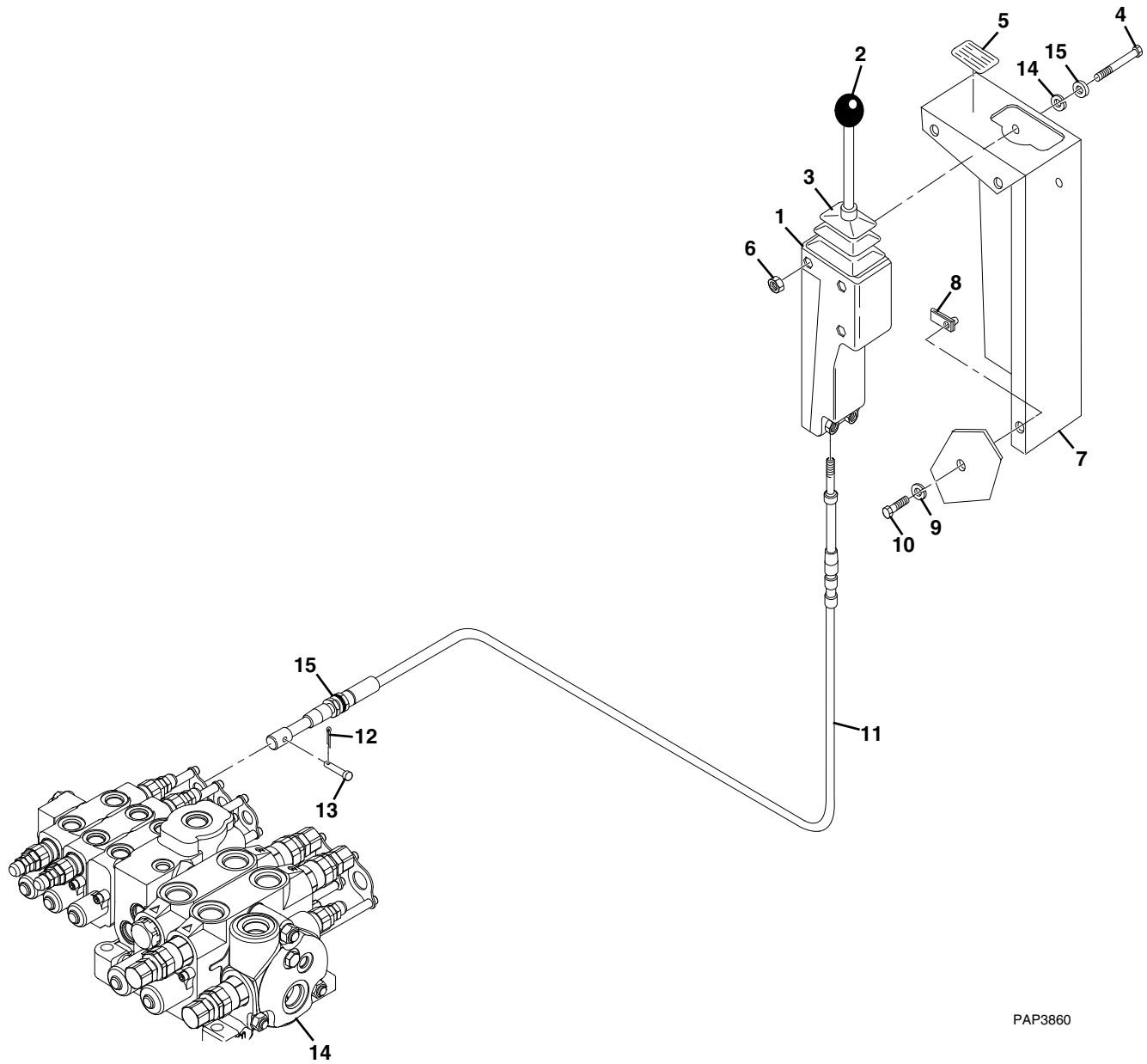
Figure 7-6 Frame Sway & Attachment Tilt Control

Item	Part Number	Qty.	Description	Rev.
1	8224047	1	JOYSTICK WITH GATE, (includes items 2 & 3)	
2	8580110	1	KNOB	
3	8160419	1	BOOT	
4	7098142	2	SPACER	
5	88261017	4	HEX HD CAPSCREW, 1/4-20X7/8	
6	8310001	8	HEX NUT, 1/4-20	
7	8303540	4	HEX HD CAPSCREW, 1/4X1	
8	8307109	4	FLAT WASHER, 1/4	
9	1001132552	2	CONTROL CABLE	
10	8301443	2	CLEVIS PIN, 3/16X1	
11	8302470	2	HAIR PIN, 3/32	
12		Ref	MAIN CONTROL VALVE, (see Figure 9-9 for details)	
13	4812300	6	FLAT WASHER, M16	
14	0100011	AR	LOCTITE® 242™	
15	7125871	1	CONDUIT, 0.50X8, (cut to fit)	
16	8584001	3	TIE WRAP	



CONTROLS

Figure 7-7 Auxiliary Hydraulic Control



PAP3860



Figure 7-7 Auxiliary Hydraulic Control

Item	Part Number	Qty.	Description	Rev.
1	8160406	1	CONTROLLER, (includes items 2 & 3)	
2	8580110	1	KNOB	
3	8160418	1	BOOT	
4	8303758	2	HEX HD CAPSCREW, 1/4-20X2	
5	4105621	1	AUXILIARY CONTROL DECAL	
6	8305004	2	HEX NUT, 1/4-20	
7	7091323	1	CONTROLLER SUPPORT	
8	8305906	3	RETAINING NUT, 5/16-18	
9	8307004	3	LOCKWASHER, 5/16	
10	8303697	3	HEX HD CAPSCREW, 5/16-18X3/4	
11	8160078	1	CONTROL CABLE	
12	8302470	1	HAIR PIN	
13	8301443	1	CLEVIS PIN	
14		Ref	MAIN CONTROL VALVE, (see Figure 9-9 for details)	
15	4812300	3	FLAT WASHER, M16	

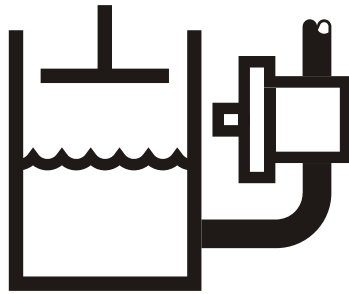


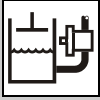
CONTROLS

This Page Intentionally Left Blank

SECTION 8

HYDRAULIC CIRCUITS

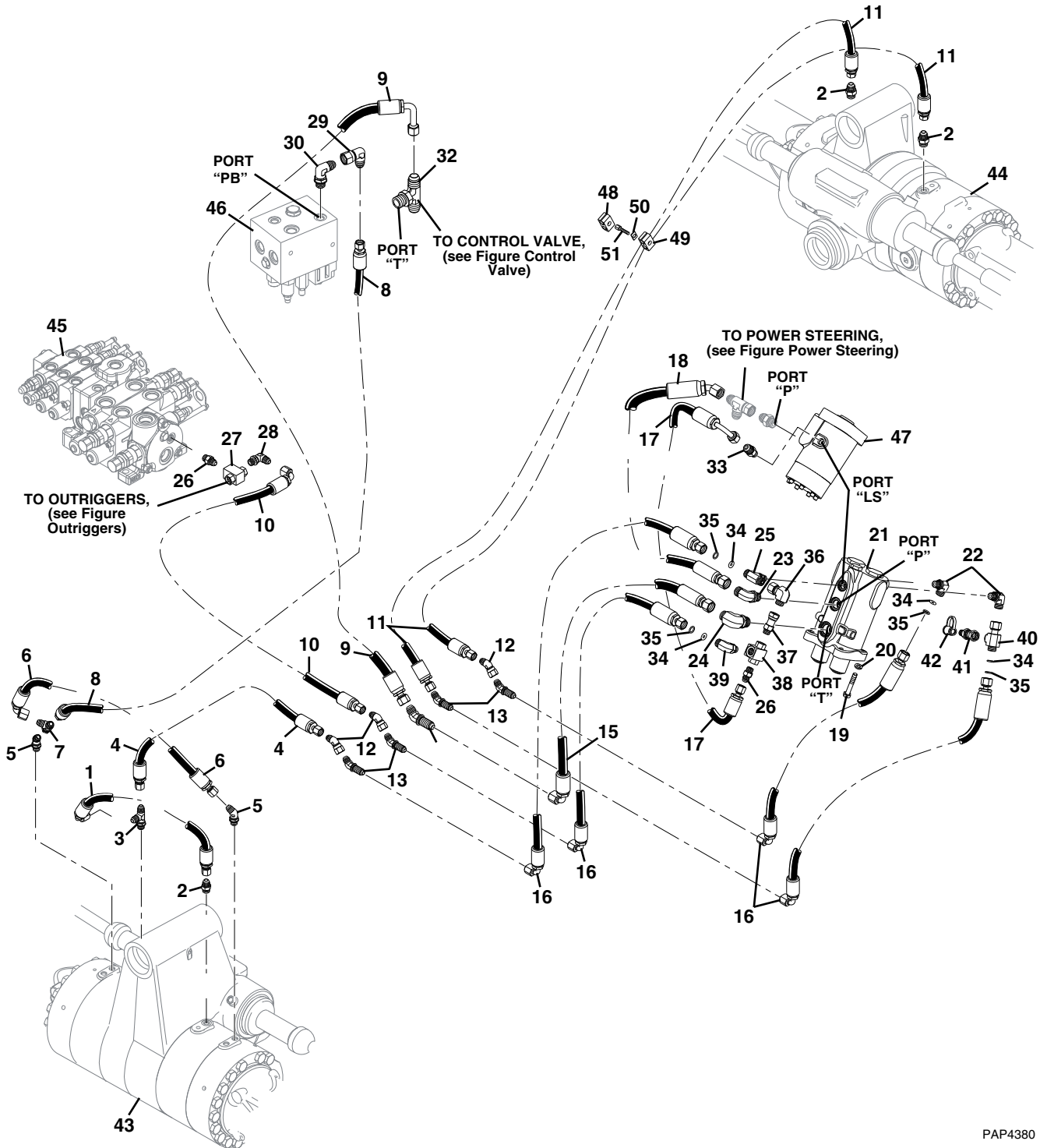




HYDRAULIC CIRCUITS

8042 Before S/N 0160038967 including 0160038971 & 0160038984
10042 Before S/N 0160038368 including 0160038375, 0160038378,
0160038379, 0160038381 & 0160038383
10054 Before S/N 0160038740 excluding 0160021270, 0160036713,
0160036715, 0160036721 & 0160036723

Figure 8-1 Service Brake & De-Clutch



PAP4380

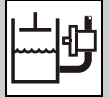
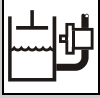


Figure 8-1 Service Brake & De-Clutch

Item	Part Number	Qty.	Description	Rev.
1	2716692	1	HOSE ASSY	
2	2220371	3	STRAIGHT CONNECTOR, (includes o-ring)	
3	2220606	1	MALE RUN TEE, (includes o-ring)	
4	2716707	1	HOSE ASSY	
5	2220501	2	ELBOW, 45 DEGREES	
6	2716670	1	HOSE ASSY	
7	2220635	1	FEMALE SWIVEL RUN TEE	
8	2716660	1	HOSE ASSY	
9	2754753	1	HOSE ASSY	
10	2716703	1	HOSE ASSY	
11	2716701	2	HOSE ASSY	
12	2220657	3	ELBOW, 45 DEGREES, (swivel nut)	
13	8770189	4	ELBOW, 45 DEGREES	
14	2230035	1	ELBOW, 45 DEGREES	
15	2754736	1	HOSE ASSY	
16	2716699	4	HOSE ASSY	
17	2716700	1	HOSE ASSY	
18	2716695	1	HOSE ASSY	
19	8303755	4	HEX HD CAPSCREW, M10X30mm	
20	8307023	4	LOCKWASHER, M10	
	8902274	Ref	BRAKE VALVE ASSY, (no longer available, use 1001109404 for replacement)	
	1001109404	1	BRAKE VALVE ASSY, (includes items 21 thru 25)	
21		Ref	BRAKE VALVE, (see Figure 9-15 for details)	
22	8770109	2	ELBOW, 90 DEGREES, (includes o-ring)	
23	8770120	1	ELBOW, 90 DEGREES, (includes o-ring)	
24	8770175	1	ELBOW, 90 DEGREES, (includes o-ring)	
25	8770183	1	BRANCH TEE, (includes o-ring)	
26	2220371	1	STRAIGHT CONNECTOR, (includes o-ring), (8042 only)	
	8770152	1	UNION, (includes o-ring), (10042/10054 only)	
27		Ref	SHUTTLE VALVE, (10042/10054 only) , (see Figure 8-5 for details)	
28	2220473	1	ELBOW, 90 DEGREES, (includes o-ring), (10042/10054 only)	
29	8760268	1	ELBOW, 90 DEGREES, (swivel nut)	
30	2220473	1	ELBOW, 90 DEGREES, (includes o-ring)	
32		Ref	TEE FITTING, (see Figure 8-7 for details)	
33	2220603	1	STRAIGHT CONNECTOR, (includes o-ring)	
34	7139212	4	DISK ORIFICE	
35	8630003	4	O-RING	
36	2172106	1	ELBOW, 90 DEGREES, (swivel nut)	
37	2221123	1	CONNECTOR, (swivel nut), (includes o-ring)	
38	8902175	1	SHUTTLE VALVE	
39	2130606	1	ELBOW, 90 DEGREES, (includes o-ring)	
40	2170706	1	SWIVEL RUN TEE, (swivel nut)	
41	8430081	1	DIAGNOSTIC NIPPLE, 1/8 BODY	
42	8430032	1	DUST PLUG	
43		Ref	FRONT AXLE, (see Figure 5-2 for details)	
44		Ref	REAR AXLE, (see Figure 5-10 for details)	
45		Ref	MAIN CONTROL VALVE, (see Figure 9-9 for details)	
46		Ref	SECONDARY FUNCTION MANIFOLD, (see Figure 9-10 for details)	
47		Ref	STEERING UNIT, (see Figure 8-6 for details)	



HYDRAULIC CIRCUITS

8042 Before S/N 0160038967 including 0160038971 & 0160038984
10042 Before S/N 0160038368 including 0160038375, 0160038378,
0160038379, 0160038381 & 0160038383
10054 Before S/N 0160038740 excluding 0160021270, 0160036713,
0160036715, 0160036721 & 0160036723

Figure 8-1 Service Brake & De-Clutch (Continued)

Item	Part Number	Qty.	Description	Rev.
48		Ref	TWIN CLAMP, (see Figure 8-4 for details)	
49	8750027	1	TWIN CLAMP SET, 0.67 DIA	
50	8750017	1	TWIN CLAMP LOCKING PLATE	
51	8750012	1	STACKING BOLT	

8042 Before S/N 0160038967 including 0160038971 & 0160038984
10042 Before S/N 0160038368 including 0160038375, 0160038378,
0160038379, 0160038381 & 0160038383
10054 Before S/N 0160038740 excluding 0160021270, 0160036713,
0160036715, 0160036721 & 0160036723

HYDRAULIC CIRCUITS

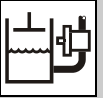
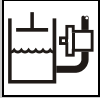


Figure 8-1 Service Brake & De-Clutch (Continued)

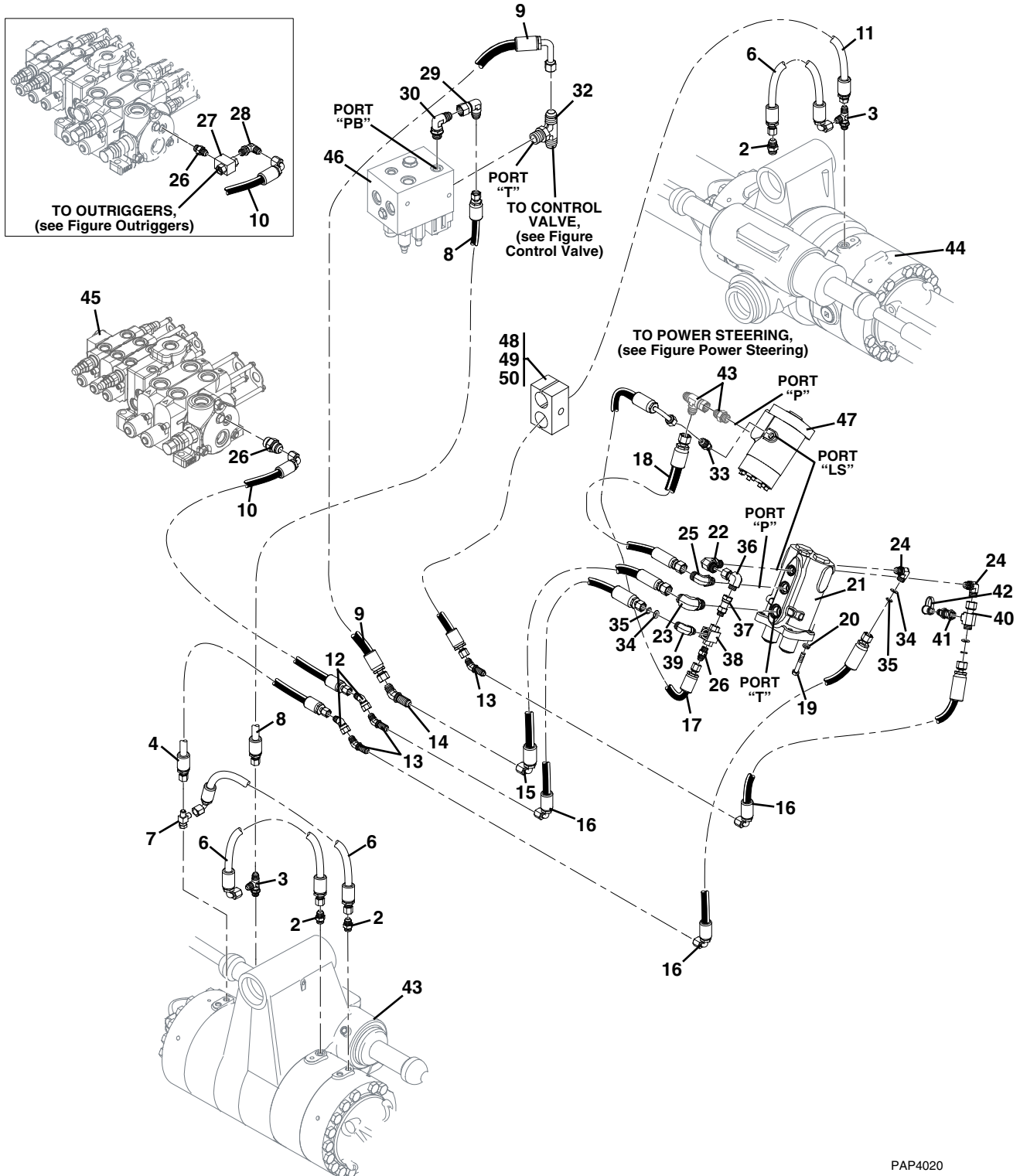
Item	Part Number	Qty.	Description	Rev.



HYDRAULIC CIRCUITS

8042 S/N 0160038967 & After excluding 0160038971 & 0160038984
10042 S/N 0160038368 & After excluding 0160038375, 0160038378,
0160038379, 0160038381 & 0160038383
10054 S/N 0160038740 & After including 0160021270, 0160036713,
0160036715, 0160036721 & 0160036723

Figure 8-1 Service Brake & De-Clutch



PAP4020

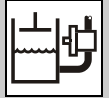


Figure 8-1 Service Brake & De-Clutch

Item	Part Number	Qty.	Description	Rev.
2	2220371	3	STRAIGHT CONNECTOR	
3	2220606	2	MALE RUN TEE	
4	2716707	1	HOSE ASSY	
5	2220501	2	ELBOW, 45 DEGREES	
6	2716670	3	HOSE ASSY	
7	2220635	1	FEMALE SWIVEL RUN TEE	
8	2716660	1	HOSE ASSY	
9	2754753	1	HOSE ASSY	
10	2716703	1	HOSE ASSY	
11	2716701	1	HOSE ASSY	
12	2220657	2	ELBOW, 45 DEGREES, (swivel nut)	
13	8770189	3	BULKHEAD ELBOW, 45 DEGREES	
14	2230035	1	BULKHEAD ELBOW, 45 DEGREES	
15	2754736	1	HOSE ASSY	
16	2716699	3	HOSE ASSY	
17	2716700	1	HOSE ASSY	
18	2716695	1	HOSE ASSY	
19	8303755	4	HEX HD CAPSCREW, M10X30mm	
20	8307023	4	LOCK WASHER, M10	
	1001103623	1	BRAKE VALVE ASSY, (includes items 21 thru 25)	
21	1001106836	1	BRAKE VALVE	
22	8770109	1	BRANCH TEE	
23	8770175	1	ELBOW, 90 DEGREES	
24	8770109	2	ELBOW, 90 DEGREES	
25	8770120	1	ELBOW, 90 DEGREES	
26	8770152	1	UNION, (includes o-ring)	
27		Ref	SHUTTLE VALVE, (see Figure 8-5 for details)	
28	2220473	1	ELBOW, 90 DEGREES, (includes o-ring)	
29	8760268	1	ELBOW, 90 DEGREES, (swivel nut)	
30	2220473	1	ELBOW, 90 DEGREES, (includes o-ring)	
32		Ref	TEE FITTING, (see Figure 8-7 for details)	
33	2220603	1	STRAIGHT CONNECTOR, (includes o-ring)	
34	7139212	3	ORIFICE DISK	
35	8630003	3	O-RING	
36	2172106	1	ELBOW, 90 DEGREES, (swivel nut)	
37	2221123	1	SWIVEL CONNECTOR	
38	8902175	1	SHUTTLE VALVE	
39	2130606	1	ELBOW, 90 DEGREES	
40	2170706	1	SWIVEL RUN TEE	
41	8430081	1	SWIVEL NIPPLE, 1/8 BODY	
42	8430032	1	DUST PLUG	
43		Ref	FRONT AXLE, (see Figure 5-2 for details)	
44		Ref	REAR AXLE, (see Figure 5-10 for details)	
45		Ref	MAIN CONTROL VALVE, (see Figure 9-9 for details)	
46		Ref	SECONDARY FUNCTION MANIFOLD, (see Figure 9-10 for details)	
47		Ref	STEERING UNIT, (see Figure 8-6 for details)	
48	8750016	1	CLAMP SET	
49	8750017	1	LOCKING PLATE	
50	8750012	1	STACKING BOLT	



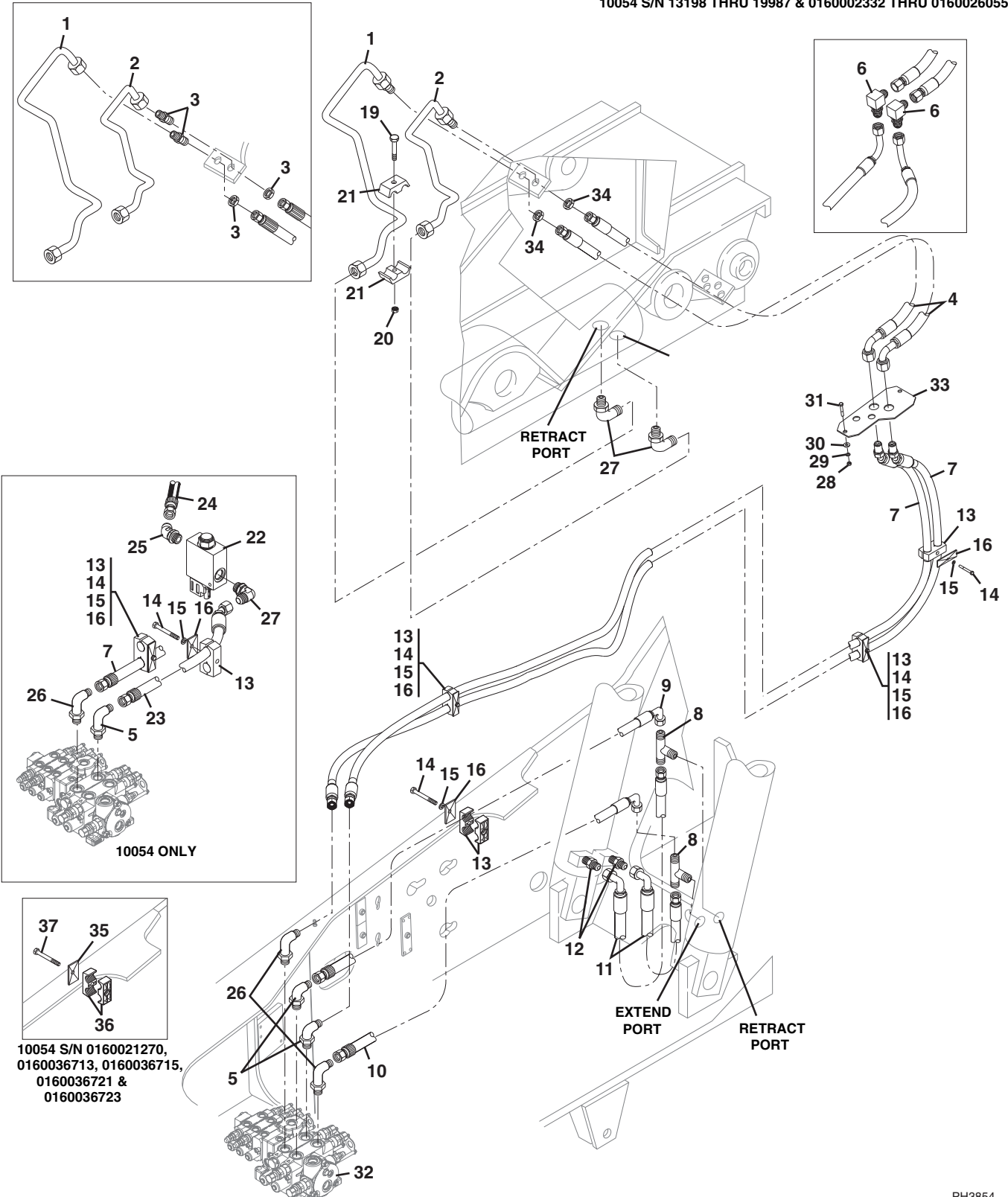
HYDRAULIC CIRCUITS

Before S/N 0160040220
excluding 0160039850, 0160040126 thru 0160040129
& 0160040171

Figure 8-2 Boom Lift/Lower & Extend/Retract

8042 S/N 13198 THRU 19987 & 0160002332 THRU 0160004643
10042 S/N 13198 THRU 19987 & 0160002332 THRU 0160004672
10054 S/N 13198 THRU 19987 & 0160002332 THRU 0160004646

8042 S/N 13198 THRU 19987 & 0160002332 THRU 0160025261
10042 S/N 13198 THRU 19987 & 0160002332 THRU 0160026072
10054 S/N 13198 THRU 19987 & 0160002332 THRU 0160026055



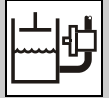
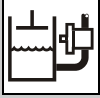


Figure 8-2 Boom Lift/Lower & Extend/Retract

Item	Part Number	Qty.	Description	Rev.
1	7133802	1	BOOM EXTEND CYLINDER TUBE, (8042 S/N 13198 thru 19987 & 0160002332 thru 0160004643), (10042 S/N 13198 thru 19987 & 0160002332 thru 0160004672), (10054 S/N 13198 thru 19987 & 0160002332 thru 0160004646)	
	3460384	1	BOOM EXTEND CYLINDER TUBE, (8042 S/N 0160004644 & After), (10042 S/N 0160004673 & After), (10054 S/N 0160004647 & After)	
2	7133812	1	BOOM EXTEND CYLINDER TUBE, (8042 S/N 13198 thru 19987 & 0160002332 thru 0160004643), (10042 S/N 13198 thru 19987 & 0160002332 thru 0160004672), (10054 S/N 13198 thru 19987 & 0160002332 thru 0160004646)	
	3460383	1	BOOM EXTEND CYLINDER TUBE, (8042 S/N 0160004644 & After), (10042 S/N 0160004673 & After), (10054 S/N 0160004647 & After)	
3	8760039	2	STRAIGHT BULKHEAD UNION, (8042 S/N 13198 thru 19987 & 0160002332 thru 0160004643), (10042 S/N 13198 thru 19987 & 0160002332 thru 0160004672), (10054 S/N 13198 thru 19987 & 0160002332 thru 0160004646)	
4	2716657	2	HOSE ASSY, (S/N 13198 thru 19987 & 0160002332 thru 0160025946 excluding 0160025261)	
	2755060	2	HOSE ASSY, (S/N 0160026010 & After including 0160025261)	
5	2220578	2	ELBOW, 90 DEGREES, (includes o-ring)	
6	2230046	2	BULKHEAD UNION, 90 DEGREES, (S/N 13198 thru 19987 & 0160002332 thru 0160025946 excluding 0160025261)	
7	2754309	2	HOSE ASSY, (S/N 13198 thru 19987 & 0160002332 thru 0160025929 excluding 0160025261)	
	2755057	2	HOSE ASSY, (S/N 0160025930 & After including 0160025261)	
	2755059	1	HOSE ASSY, (10054 S/N 0160012120 & After)	
8	2220695	2	MALE BRANCH TEE, (includes o-ring)	
9	2716655	1	HOSE ASSY	
10	2716654	1	HOSE ASSY	
11	2716675	2	HOSE ASSY	
12	2220375	2	STRAIGHT CONNECTOR, (includes o-ring)	
13	8750040	5	TWIN CLAMP SET, 1.18 DIA	
14	8303757	5	HEX HD CAPSCREW, 5/16-18X2-1/2	
15	8307004	5	LOCKWASHER, 5/16	
16	8750025	5	TWIN COVER PLATE	
19	8310009	1	HEX HD CAPSCREW, 5/16-18X2, GR5	
20	8305626	1	HEX LOCKNUT, 5/16-18	
21	8769140	1	TWIN CLAMP SET, 0.675	
22		Ref	EXTEND LOCKOUT VALVE ASSY, (10054 only), (see Figure 8-5 for details)	
23	2716716	1	HOSE ASSY, (10054 only)	
24	2754314	1	HOSE ASSY, (10054 only), (S/N 13198 thru 19987 & 0160002332 thru 0160025929)	
	2755058	1	HOSE ASSY, (10054 only), (S/N 0160025930 & After)	
25	2220498	1	ELBOW, 45 DEGREES, (includes o-ring), (10054 only)	
26	8770157	2	ELBOW, 90 DEGREES, (includes o-ring)	
27	2220578	3	ELBOW, 90 DEGREES, (includes o-ring)	
28	8305006	2	HEX NUT, 5/16-18	
29	8307004	2	LOCKWASHER, 5/16	
30	8307203	2	WASHER, 5/16	
31	8310009	2	HEX HD CAPSCREW, 5/16-18X2, GR5	
32		Ref	MAIN CONTROL VALVE, (see Figure 9-9 for details)	
33	7139505	1	BULKHEAD SHEET	



HYDRAULIC CIRCUITS

Before S/N 0160040220
excluding 0160039850, 0160040126 thru 0160040129
& 0160040171

Figure 8-2 Boom Lift/Lower & Extend/Retract (Continued)

Item	Part Number	Qty.	Description	Rev.
34	8760468	2	BULKHEAD LOCKNUT	
35	8750017	1	TWIN CLAMP LOCKING PLATE, (10054 S/N 0160038740 & After including 0160021270, 0160036713, 0160036715, 0160036721 & 0160036723)	
36	8750024	1	TWIN CLAMP SET, (10054 S/N 0160038740 & After including 0160021270, 0160036713, 0160036715, 0160036721 & 0160036723)	
37	8750026	1	STACKING BOLT, (10054 S/N 0160038740 & After including 0160021270, 0160036713, 0160036715, 0160036721 & 0160036723)	

Before S/N 0160040220
excluding 0160039850, 0160040126 thru 0160040129
& 0160040171

Figure 8-2 Boom Lift/Lower & Extend/Retract (Continued)

Item	Part Number	Qty.	Description	Rev.

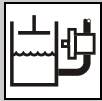
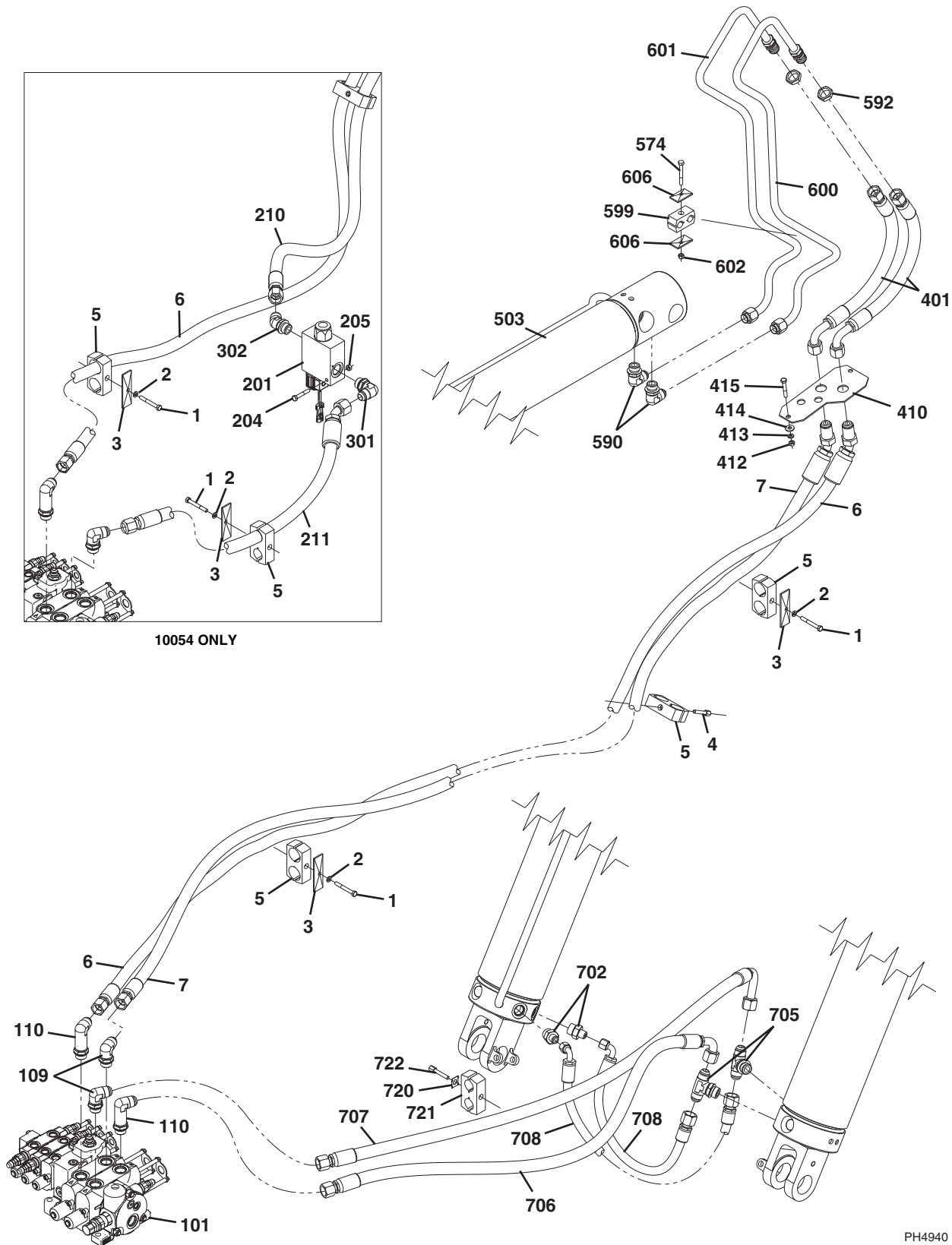


Figure 8-2 Boom Lift/Lower & Extend/Retract



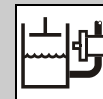


Figure 8-2 Boom Lift/Lower & Extend/Retract

Item	Part Number	Qty.	Description	Rev.
	1001117696	Ref	EXTEND/RETRACT PLUMBING INSTALLATION, (not available to order, see items 1 thru 7 for service)	A
1	8303757	2	HEX HD CAPSCREW, 5/16-18X2-1/2, GR5	
2	8307004	2	LOCKWASHER, 5/16	
3	8750025	2	COVER PLATE	
4	8750026	1	STACKING BOLT	
5	8750040	3	CLAMP SET	
6	1001117636	1	HOSE ASSY	
7	1001117714	1	HOSE ASSY	
101		Ref	MAIN CONTROL VALVE ASSY	
109	2220578	2	ELBOW, 90 DEGREES, (includes o-ring)	
110	8770157	2	ELBOW, 45 DEGREES, (includes o-ring)	
201		Ref	EXTEND/RETRACT LOCKOUT VALVE ASSY, (10054 only)	
204	8310159	1	CARRIAGE BOLT, 5/16-18X3-1/2, GR2	
205	8310420	1	FLANGE NUT, 5/16-18	
210	1001117642	1	HOSE ASSY	
211	2716716	1	HOSE ASSY	
301	2220578	1	ELBOW, 90 DEGREES, (includes o-ring)	
302	2220498	1	ELBOW, 45 DEGREES, (includes o-ring)	
401	2755060	2	HOSE ASSY	
410	7139505	1	BULKHEAD SHEET	
412	8305006	2	HEX NUT, 5/16-18	
413	8307004	2	LOCKWASHER, 5/16	
414	8307203	2	WASHER, 5/16	
415	8310009	2	HEX HD CAPSCREW, 5/16-18X2, GR5	
503		Ref	EXTEND/RETRACT CYLINDER	
574	0641520	1	HEX HD CAPSCREW, 5/16-18X2-1/2, GR5	
590	2220578	2	ELBOW, 90 DEGREES, (includes o-ring)	
592	8760468	2	BULKHEAD LOCKNUT	
599	8769139	1	CLAMP SET	
600	3460383	1	TUBE ASSY	
601	3460384	1	TUBE ASSY	
602	8305626	1	LOCKNUT, 5/16-18	
606	8769128	2	COVER PLATE	
702	2220375	2	CONNECTOR, (includes o-ring)	
705	2220695	2	BRANCH TEE, (includes o-ring)	
706	2716654	1	HOSE ASSY	
707	2716655	1	HOSE ASSY	
708	2716675	2	HOSE ASSY	
720	8750017	1	LOCKING PLATE	
721	8750040	1	CLAMP SET	
722	8750026	1	STACKING BOLT	

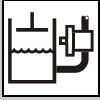
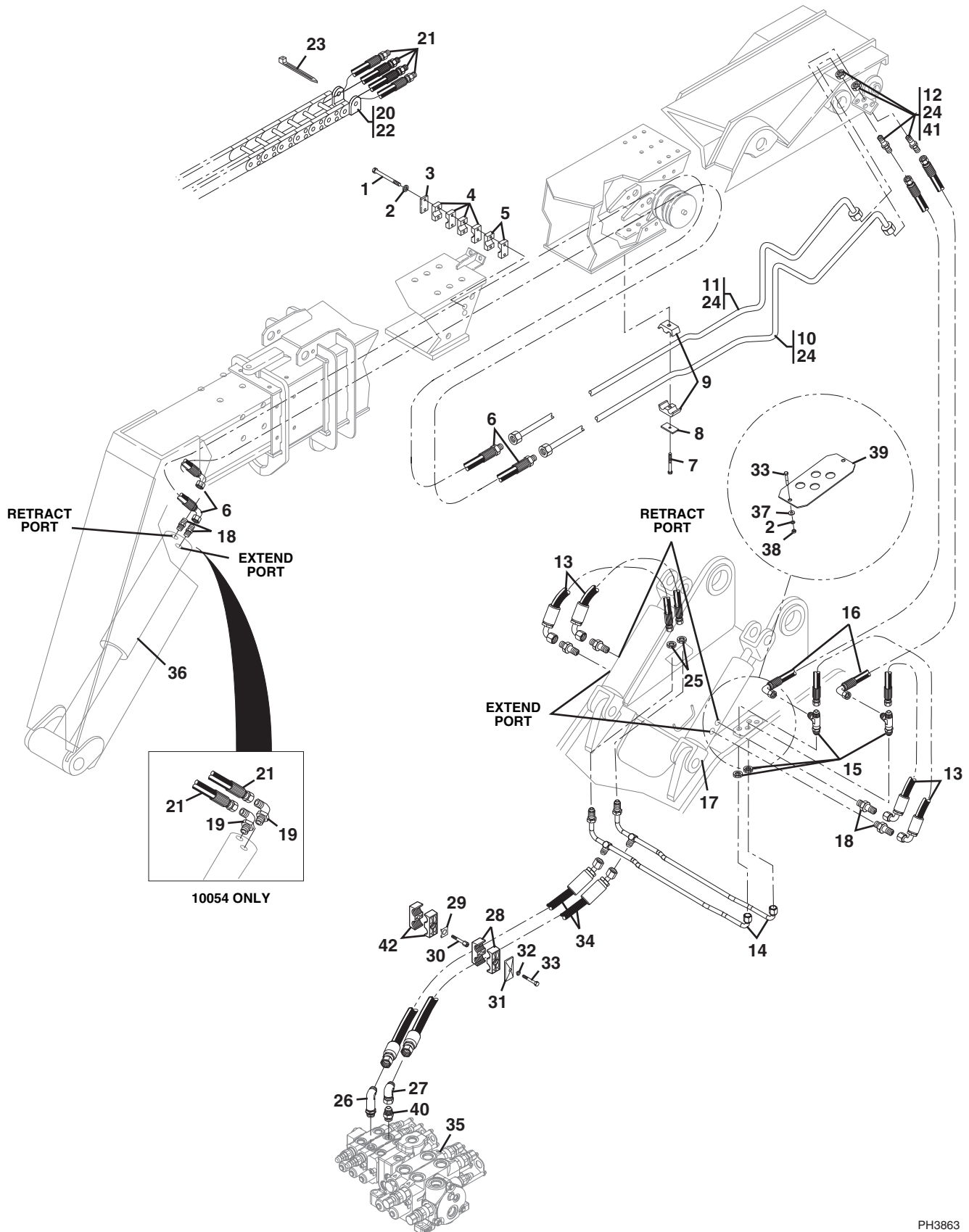


Figure 8-3 Attachment Tilt & Slave



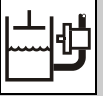
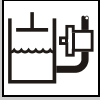


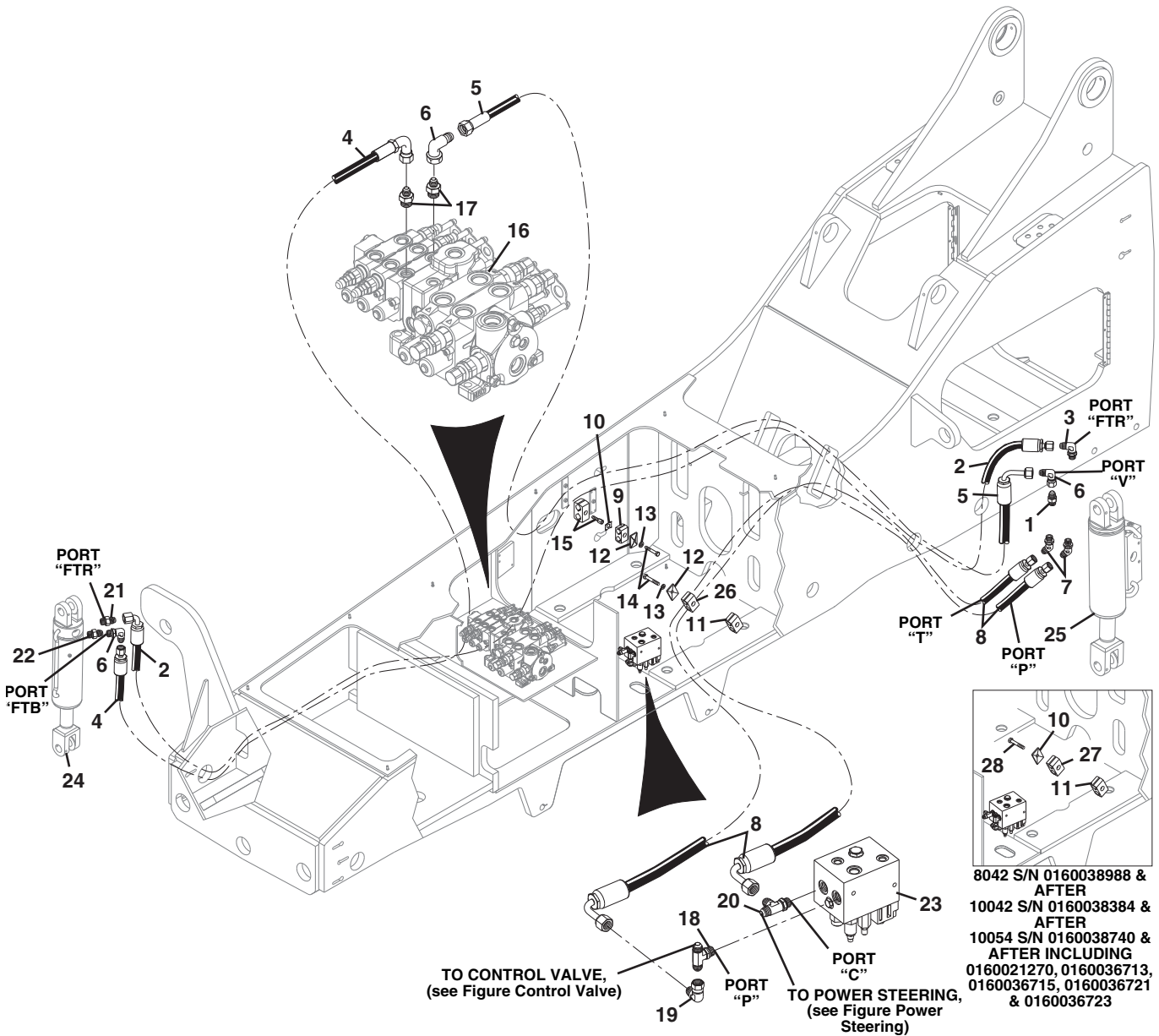
Figure 8-3 Attachment Tilt & Slave

Item	Part Number	Qty.	Description	Rev.
1	8303752	2	HEX HD CAPSCREW, 5/16-18X3-1/2	
2	8307004	4	LOCKWASHER, 5/16	
3	8769149	1	SINGLE CLAMP COVER PLATE	
4	8750003	4	SINGLE CLAMP, 0.62 DIA, (8042 & 10042 only)	
	8750003	6	SINGLE CLAMP, 0.62 DIA, (10054 only)	
5	8769161	2	SINGLE CLAMP, 0.75 DIA, (8042 & 10042 only)	
6	2713452	2	BOOM HOSE ASSY, (8042 & 10042 only, see item 20 for 10054)	
7	8303739	3	HEX HD CAPSCREW, 5/16-18X1-1/4	
8	8769123	3	TWIN COVER PLATE	
9	8769122	3	TWIN CLAMP, 0.62 DIA	
10	7300673	1	BOOM ATTACHMENT TILT TUBE, (retract)	
11	7300672	1	BOOM ATTACHMENT TILT TUBE, (extend)	
12	8760037	2	STRAIGHT BULKHEAD UNION	
13	2716715	4	HOSE ASSY	
14	7300214	2	SLAVE CYLINDER CROSS-OVER TUBE ASSY	
15	8760477	2	MALE BULKHEAD RUN TEE	
16	2716714	2	TILT CYLINDER HOSE ASSY	
17		Ref	SLAVE CYLINDER, (see Figure 9-6 for details)	
18	2220373	4	STRAIGHT CONNECTOR, (includes o-ring)	
19	2220500	2	ELBOW, 45 DEGREES, (includes o-ring), (10054 only)	
20	7112452	1	HOSE & CARRIER ASSY, (includes items 21 thru 23), (10054 only)	
21	2713642	4	HOSE ASSY	
22	NSS	1	HOSE CARRIER, (no longer available, see item 20 for service)	
23	8584001	2	TIE WRAP	
24	8526048	AR	LOCTITE® 545™, (apply to items 10, 11 & 12)	
25	8760463	2	BULKHEAD LOCKNUT, #8	
26	2220474	1	ELBOW, 90 DEGREES, (includes o-ring)	
27	8765204	1	ELBOW, 90 DEGREES, (swivel nut)	
28	8750027	2	TWIN CLAMP SET, 0.84 DIA	
29	8750017	1	LOCKING PLATE	
30	8750012	1	STACKING BOLT	
31	8769128	2	TWIN COVER PLATE	
32	8307004	2	LOCKWASHER, 5/16	
33	8310009	5	HEX HD CAPSCREW, 5/16-18X2, GR5	
34	2716682	2	HOSE ASSY	
35		Ref	MAIN CONTROL VALVE, (see Figure 9-9 for details)	
36		Ref	ATTACHMENT TILT CYLINDER, (see Figure 9-3 for details)	
37	8307203	2	FLAT WASHER, 5/16	
38	8305006	2	HEX NUT, 5/16-18	
39	7139504	1	BULKHEAD SHEET	
40	2220373	1	STRAIGHT CONNECTOR	
41	8760465	2	BULKHEAD LOCKNUT	
42		Ref	TWIN CLAMP, (see Figure 8-8 for details)	



HYDRAULIC CIRCUITS

Figure 8-4 Frame Sway & Stabil-Trak



PH3872

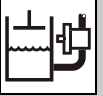
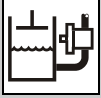


Figure 8-4 Frame Sway & Stabil-Trak

Item	Part Number	Qty.	Description	Rev.
1	2220371	1	STRAIGHT CONNECTOR, (includes o-ring)	
2	2716688	1	HOSE ASSY	
3	2220473	1	ELBOW, 90 DEGREES, (includes o-ring)	
4	2716687	1	HOSE ASSY	
5	2716686	1	HOSE ASSY	
6	8760268	3	ELBOW, 90 DEGREES, (swivel nut)	
7	2220501	2	ELBOW, 45 DEGREES	
8	2716691	2	HOSE ASSY	
9	8750015	1	TWIN CLAMP SET, 0.67 DIA	
10	8750017	1	TWIN CLAMP LOCKING PLATE, (8042 Before S/N 0160038988), (10042 Before S/N 0160038384), (10054 Before S/N 0160038740 excluding 0160021270, 0160036713, 0160036715, 0160036721 & 0160036723)	
	8750017	2	TWIN CLAMP LOCKING PLATE, (8042 S/N 0160038988 & After), (10042 S/N 0160038384 & After), (10054 S/N 0160038740 & After including 0160021270, 0160036713, 0160036715, 0160036721 & 0160036723)	
11		Ref	TWIN CLAMP, (see Figure 8-1 for details)	
12	8769123	2	TWIN COVER PLATE, (8042 Before S/N 0160038988), (10042 Before S/N 0160038384), (10054 Before S/N 0160038740 excluding 0160021270, 0160036713, 0160036715, 0160036721 & 0160036723)	
	8769123	1	TWIN COVER PLATE, (8042 S/N 0160038988 & After), (10042 S/N 0160038384 & After), (10054 S/N 0160038740 & After including 0160021270, 0160036713, 0160036715, 0160036721 & 0160036723)	
13	8307004	2	LOCKWASHER, 5/16, (8042 Before S/N 0160038988), (10042 Before S/N 0160038384), (10054 Before S/N 0160038740 excluding 0160021270, 0160036713, 0160036715, 0160036721 & 0160036723)	
	8307004	1	LOCKWASHER, 5/16, (8042 S/N 0160038988 & After), (10042 S/N 0160038384 & After), (10054 S/N 0160038740 & After including 0160021270, 0160036713, 0160036715, 0160036721 & 0160036723)	
14	8303715	2	HEX HD CAPSCREW, 5/16-18X1.5, (8042 Before S/N 0160038988), (10042 Before S/N 0160038384), (10054 Before S/N 0160038740 excluding 0160021270, 0160036713, 0160036715, 0160036721 & 0160036723)	
	8303715	1	HEX HD CAPSCREW, 5/16-18X1.5, (8042 S/N 0160038988 & After), (10042 S/N 0160038384 & After), (10054 S/N 0160038740 & After including 0160021270, 0160036713, 0160036715, 0160036721 & 0160036723)	
15		Ref	TWIN CLAMP, (see Figure 8-6 for details)	
16		Ref	MAIN CONTROL VALVE, (see Figure 9-9 for details)	
17	2220372	2	STRAIGHT CONNECTOR, (includes o-ring)	
18		Ref	MALE BRANCH TEE, (see Figure 8-7 for details)	
19	8765204	1	ELBOW, 90 DEGREES, (swivel nut)	
20	2220602	1	MALE RUN TEE, (includes o-ring)	
21	8902857	1	RESTRICTOR CHECK VALVE, 0.040 DIA	
22	8902858	1	RESTRICTOR CHECK VALVE, 0.047 DIA	
23		Ref	SECONDARY FUNCTION MANIFOLD, (see Figure 9-10 for details)	
24		Ref	FRAME SWAY CYLINDER, (see Figure 9-4 for details)	
25		Ref	STABIL-TRAK CYLINDER, (see Figure 9-5 for details)	
26	8750027	1	TWIN CLAMP SET, 0.84 DIA, (8042 Before S/N 0160038988), (10042 Before S/N 0160038384), (10054 Before S/N 0160038740 excluding 0160021270, 0160036713, 0160036715, 0160036721 & 0160036723)	
27	8750016	1	TWIN CLAMP SET, 0.79 DIA, (8042 S/N 0160038988 & After), (10042 S/N 0160038384 & After), (10054 S/N 0160038740 & After including 0160021270, 0160036713, 0160036715, 0160036721 & 0160036723)	



HYDRAULIC CIRCUITS

Figure 8-4 Frame Sway & Stabil-Trak (Continued)

Item	Part Number	Qty.	Description	Rev.
28	8750012	1	STACKING BOLT, (8042 S/N 0160038988 & After), (10042 S/N 0160038384 & After), (10054 S/N 0160038740 & After including 0160021270, 0160036713, 0160036715, 0160036721 & 0160036723)	

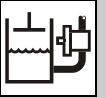


Figure 8-4 Frame Sway & Stabil-Trak (Continued)

Item	Part Number	Qty.	Description	Rev.

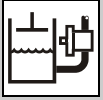
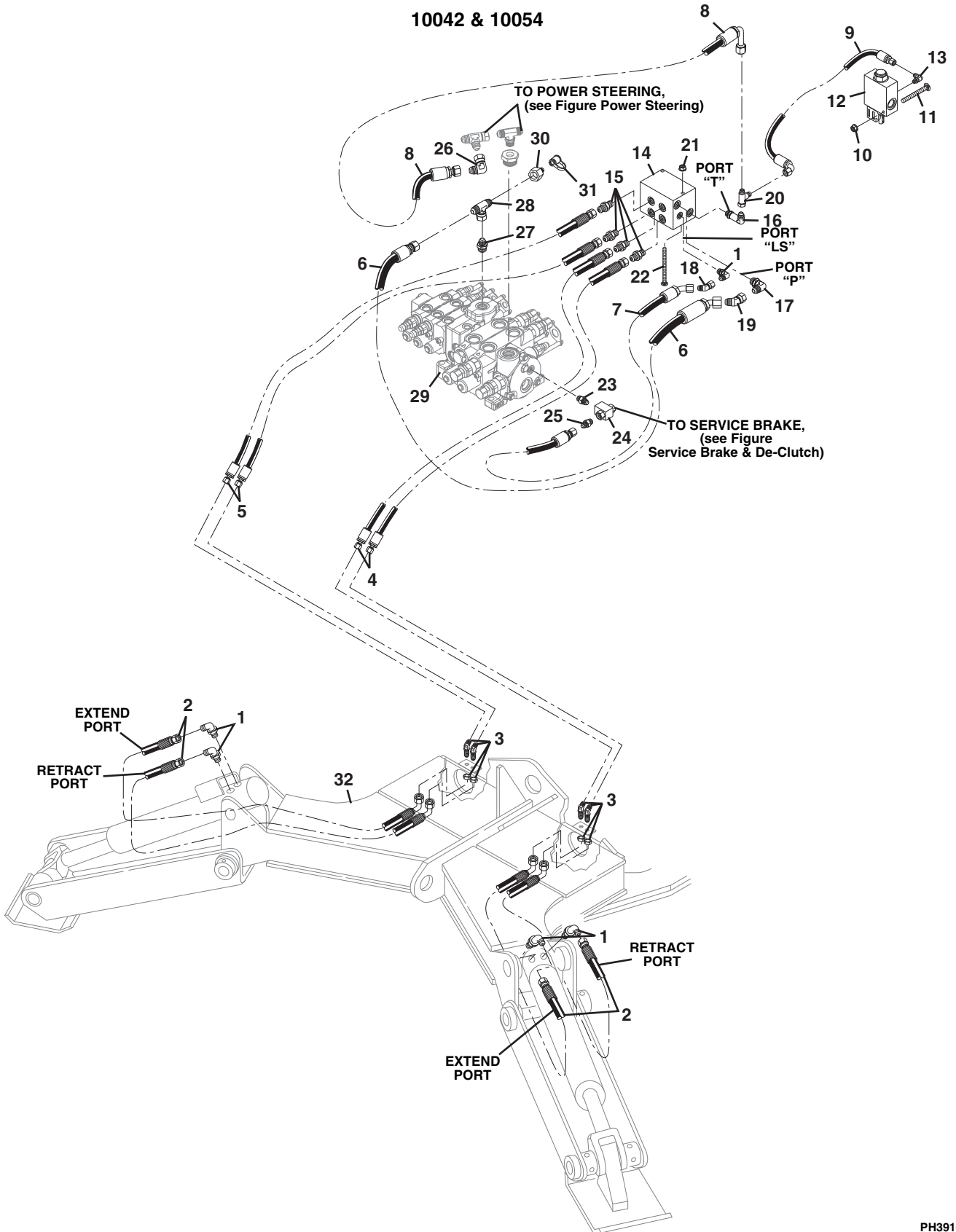


Figure 8-5 Outriggers



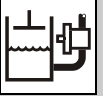


Figure 8-5 Outriggers

Item	Part Number	Qty.	Description	Rev.
1	2220473	5	ELBOW, 90 DEGREES, (includes o-ring)	
2	2716709	4	HOSE ASSY	
3	8770189	4	ELBOW, 45 DEGREES	
4	2716664	2	HOSE ASSY	
5	2716665	2	HOSE ASSY	
6	2716710	1	HOSE ASSY	
7	2716711	1	HOSE ASSY	
8	2716669	1	HOSE ASSY	
9	2716712	1	HOSE ASSY, (10054 only)	
10	8310420	1	HEX FLANGE NUT, 5/16-18, (10054 only)	
11	8310159	1	BOLT CARRIAGE, 5/16-18X3.5, (10054 only)	
12		Ref	EXTEND LOCKOUT VALVE, (10054 only) , (see Figure 9-10 for details)	
13	2220775	1	ELBOW, 90 DEGREES, (includes o-ring), (10054 only)	
14	1001103153	1	OUTRIGGER VALVE	
15	2220372	4	STRAIGHT CONNECTOR, (includes o-ring)	
16	2220474	1	ELBOW, 90 DEGREES, (includes o-ring)	
17	2220596	1	ELBOW, 90 DEGREES, (includes o-ring)	
18	2220657	1	ELBOW, 45 DEGREES, (swivel nut)	
19	2220683	1	ELBOW, 45 DEGREES, (swivel nut)	
20	2220385	1	FEMALE RUN TEE, (swivel nut), (10054 only)	
21	8310522	2	HEX FLANGE NUT, 3/8-16	
22	8310478	2	CARRIAGE BOLT, 3/8-16X5.5, GR2	
23		Ref	UNION, (see Figure 8-1 for details)	
24	8902175	1	SHUTTLE VALVE	
25	2220371	1	STRAIGHT CONNECTOR, (includes o-ring)	
26	8765204	1	ELBOW, 90 DEGREES, (swivel nut)	
27	2220374	1	STRAIGHT CONNECTOR, (includes o-ring), (8042 only)	
28	8770289	1	FEMALE BRANCH TEE, (swivel nut)	
29		Ref	MAIN CONTROL VALVE, (see Figure 9-9 for details)	
30	8430037	1	NIPPLE	
31	8430032	1	DUST PLUG	
32		Ref	OUTRIGGERS, (see Figure 1-3 for details)	

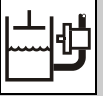


Figure 8-6 Power Steering

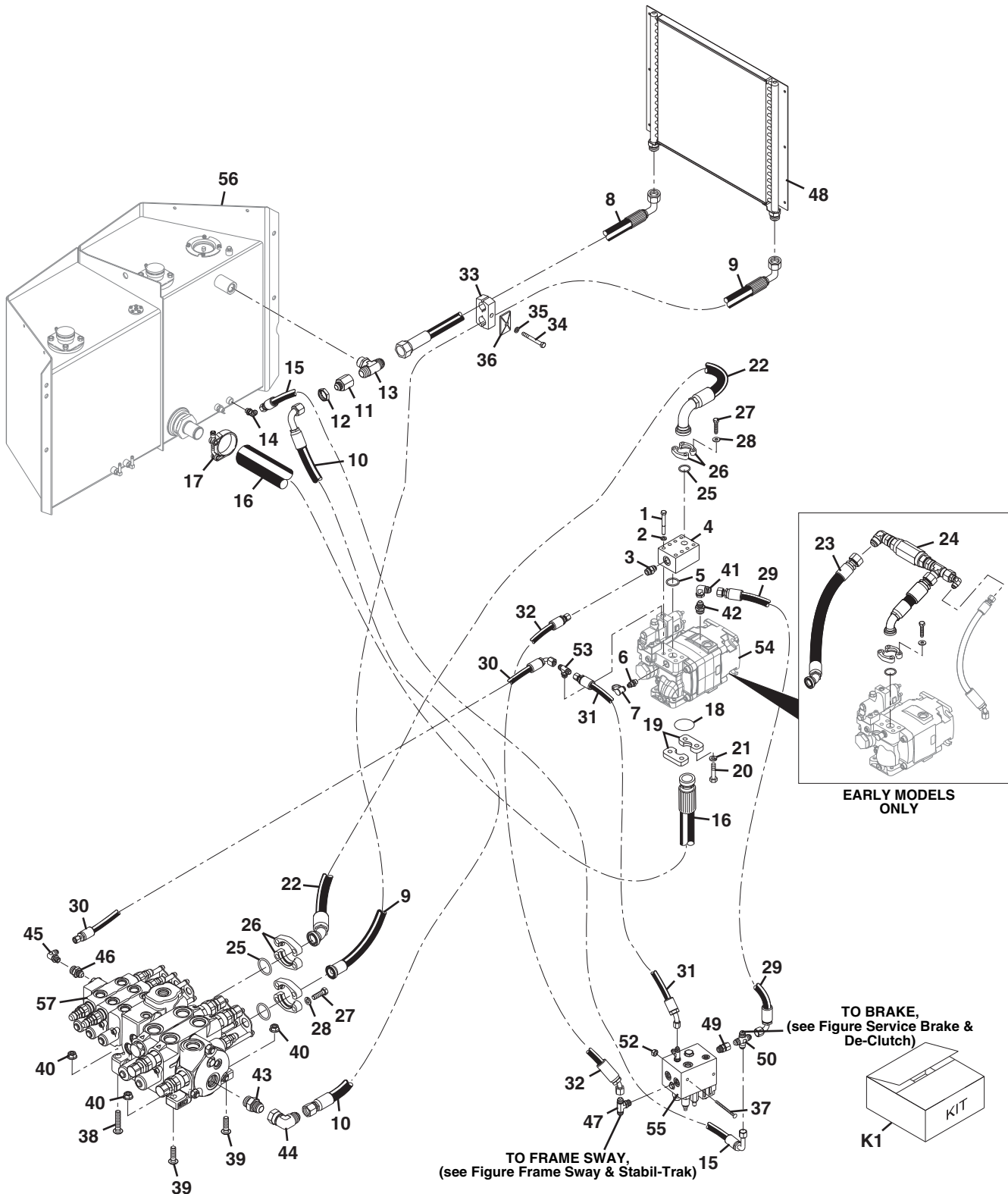
Item	Part Number	Qty.	Description	Rev.
1	2716672	1	HOSE ASSY	
2	2220500	7	ELBOW, 45 DEGREES, (includes o-ring)	
3	2716708	1	HOSE ASSY	
4	2716673	2	HOSE ASSY	
5	2716696	4	HOSE ASSY	
6	2716706	1	HOSE ASSY	
7	8760237	4	BULKHEAD ELBOW, 45 DEGREES	
8	2716671	1	HOSE ASSY	
9	2716705	1	HOSE ASSY	
10	2220683	1	ELBOW, 45 DEGREES, (swivel nut)	
11	8750027	1	TWIN CLAMP SET, 0.84 DIA., (8042 Before S/N 0160038988), (10042 Before S/N 0160038384, (10054 Before S/N 0160038740 excluding 0160021270, 01600036713, 0160036715, 0160036721 & 0160036723)	
12	8750012	1	STACKING BOLT, (8042 Before S/N 0160038988), (10042 Before S/N 0160038384, (10054 Before S/N 0160038740 excluding 0160021270, 01600036713, 0160036715, 0160036721 & 0160036723)	
13		Ref	TWIN CLAMP, (see Figure 8-4 for details), (8042 Before S/N 0160038988), (10042 Before S/N 0160038384, (10054 Before S/N 0160038740 excluding 0160021270, 01600036713, 0160036715, 0160036721 & 0160036723)	
14		Ref	FRONT AXLE, (see Figure 5-2 for details)	
15		Ref	REAR AXLE, (see Figure 5-10 for details)	
16		Ref	STEER SELECT VALVE, (see Figure 9-10 for details)	
17		Ref	SECONDARY FUNCTION MANIFOLD, (see Figure 9-10 for details)	
18	2716661	1	HOSE ASSY	
19	2220833	1	REDUCER, (includes o-ring)	
20	2220999	1	MALE BRANCH TEE, (includes o-ring)	
21	2220385	1	FEMALE RUN TEE, (swivel nut), (10042 & 10054 only)	
22	2220381	1	CONNECTOR, (includes o-ring)	
23	2220602	1	MALE RUN TEE, (includes o-ring)	
24	8721029	1	STEERING UNIT	
25	8760140	1	MALE TUBE END WITH INLET CHECK CONNECTOR, 8-8	
26	2220385	1	FEMALE RUN TEE, (swivel nut)	
27	2220373	2	STRAIGHT CONNECTOR, (includes o-ring)	
28	2220474	1	ELBOW, 90 DEGREES, (includes o-ring)	
29	2220596	1	ELBOW, 90 DEGREES, (includes o-ring)	
30		Ref	MAIN CONTROL VALVE, (see Figure 9-9 for details)	
109	8307004	1	LOCKWASHER, 5/16, (8042 S/N 0160038988 & After), (10042 S/N 0160038384 & After), (10054 S/N 0160038740 & After including 0160021270, 01600036713, 0160036715, 0160036721 & 0160036723)	
110	8310009	1	HEX HD CAPSCREW, 5/16-18X2, GR5, (8042 S/N 0160038988 & After), (10042 S/N 0160038384 & After), (10054 S/N 0160038740 & After including 0160021270, 01600036713, 0160036715, 0160036721 & 0160036723)	
114	8750016	1	CLAMP SET, (8042 S/N 0160038988 & After), (10042 S/N 0160038384 & After), (10054 S/N 0160038740 & After including 0160021270, 01600036713, 0160036715, 0160036721 & 0160036723)	
116	8769128	1	COVER PLATE, (8042 S/N 0160038988 & After), (10042 S/N 0160038384 & After), (10054 S/N 0160038740 & After including 0160021270, 01600036713, 0160036715, 0160036721 & 0160036723)	



HYDRAULIC CIRCUITS

8042 S/N 13198 thru 18990
10042 S/N 13198 thru 19030
10054 S/N 13198 thru 19079

Figure 8-7 Control Valve



PH3841

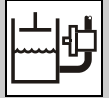
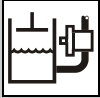


Figure 8-7 Control Valve

Item	Part Number	Qty.	Description	Rev.
1	8303704	4	HEX HD CAPSCREW, 3/8-16X3.00, GR5	
2	8307005	4	LOCKWASHER, 3/8	
3	2220373	1	CONNECTOR, #8	
4	1001103144	1	CHECK VALVE, 125 PSI	
5	8640123	1	O-RING	
6	8430043	1	DIAGNOSTIC NIPPLE, 6 ORB	
7	8430032	1	DUST PLUG	
8	2716681	1	HOSE ASSY	
9	2716679	1	HOSE ASSY	
10	2716694	1	HOSE ASSY	
11	8762012	1	TUBE END REDUCER	
12	8760415	1	NUT, 16	
13	8760552	1	MALE BRANCH TEE, (includes o-ring)	
14	2220500	1	ELBOW, 45 DEGREES, (includes o-ring)	
15	2716663	1	HOSE ASSY	
16	2716808	1	HOSE ASSY	
17	8405209	1	HOSE CLAMP	
18	8640208	1	O-RING	
19	10717672	2	FLANGE HALF, 32	
20	8303626	4	HEX HD CAPSCREW, 1/2-13X1.5	
21	8307007	4	LOCKWASHER, 1/2	
22	2716750	1	SPECIAL HOSE	
23	Use Kit K1	1	HOSE	
24	Use Kit K1	1	CHECK VALVE ASSY	
25	8640123	3	O-RING	
26	8530030	6	FLANGE HALF, #16	
27	8303675	12	HEX HD CAPSCREW, 3/8-16X1.25, GR5	
28	8307005	12	LOCKWASHER, 3/8	
29	2716698	1	HOSE ASSY	
30	2716668	1	HOSE ASSY	
31	2716658	1	HOSE ASSY	
32	2716690	1	HOSE ASSY	
33	8750024	1	TWIN CLAMP SET, 1.18 DIA	
34	8303757	1	HEX HD CAPSCREW, 5/16-18X2.5	
35	8307004	1	LOCKWASHER, 5/16	
36	8750025	1	TWIN COVER PLATE	
37	8310477	2	CARRIAGE BOLT, 5/16-18X5, GR2	
38	8310337	1	CARRIAGE BOLT, 1/2-13X2.5	
39	8310524	2	CARRIAGE BOLT, 1/2-13X1.75	
40	8310523	3	HEX FLANGE NUT, 1/2-13	
41	8765204	1	ELBOW, 90 DEGREES, (swivel nut)	
42	2220374	1	STRAIGHT CONNECTOR, (o-ring)	
43	8770173	1	CONNECTOR WITH OUTLET CHECK	
44	8760254	1	ELBOW, 90 DEGREES, (swivel nut)	
45	8760268	1	ELBOW, 90 DEGREES, (includes o-ring)	
46	8760117	1	STRAIGHT CONNECTOR	
47	8760479	1	MALE BRANCH TEE, (includes o-ring)	
48		Ref	OIL COOLER ASSY, (see Figure 4-1 for details)	
49		Ref	STRAIGHT CONNECTOR, (swivel nut), (see Figure 8-1 for details)	



HYDRAULIC CIRCUITS

8042 S/N 13198 thru 18990
10042 S/N 13198 thru 19030
10054 S/N 13198 thru 19079

Figure 8-7 Control Valve (Continued)

Item	Part Number	Qty.	Description	Rev.
50		Ref	UNION CROSS, (see Figure 8-1 for details)	
52	8310420	2	HEX FLANGE NUT, 5/16-18X1, GR5	
53	8760457	1	MALE BRANCH TEE, (includes o-ring)	
54		Ref	MAIN PUMP, (see Figure 9-8 for details)	
55		Ref	SECONDARY FUNCTION MANIFOLD, (see Figure 9-10 for details)	
56		Ref	HYDRAULIC RESERVOIR, (see Figure 9-11 for details)	
57		Ref	MAIN CONTROL VALVE, (see Figure 9-9 for details)	
K1	7139482	1	CHECK VALVE REPLACEMENT KIT, (includes items 1 thru 5, 23, 24, 41 & 42)	

8042 S/N 13198 thru 18990
10042 S/N 13198 thru 19030
10054 S/N 13198 thru 19079

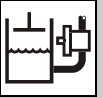
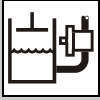


Figure 8-7 Control Valve (Continued)

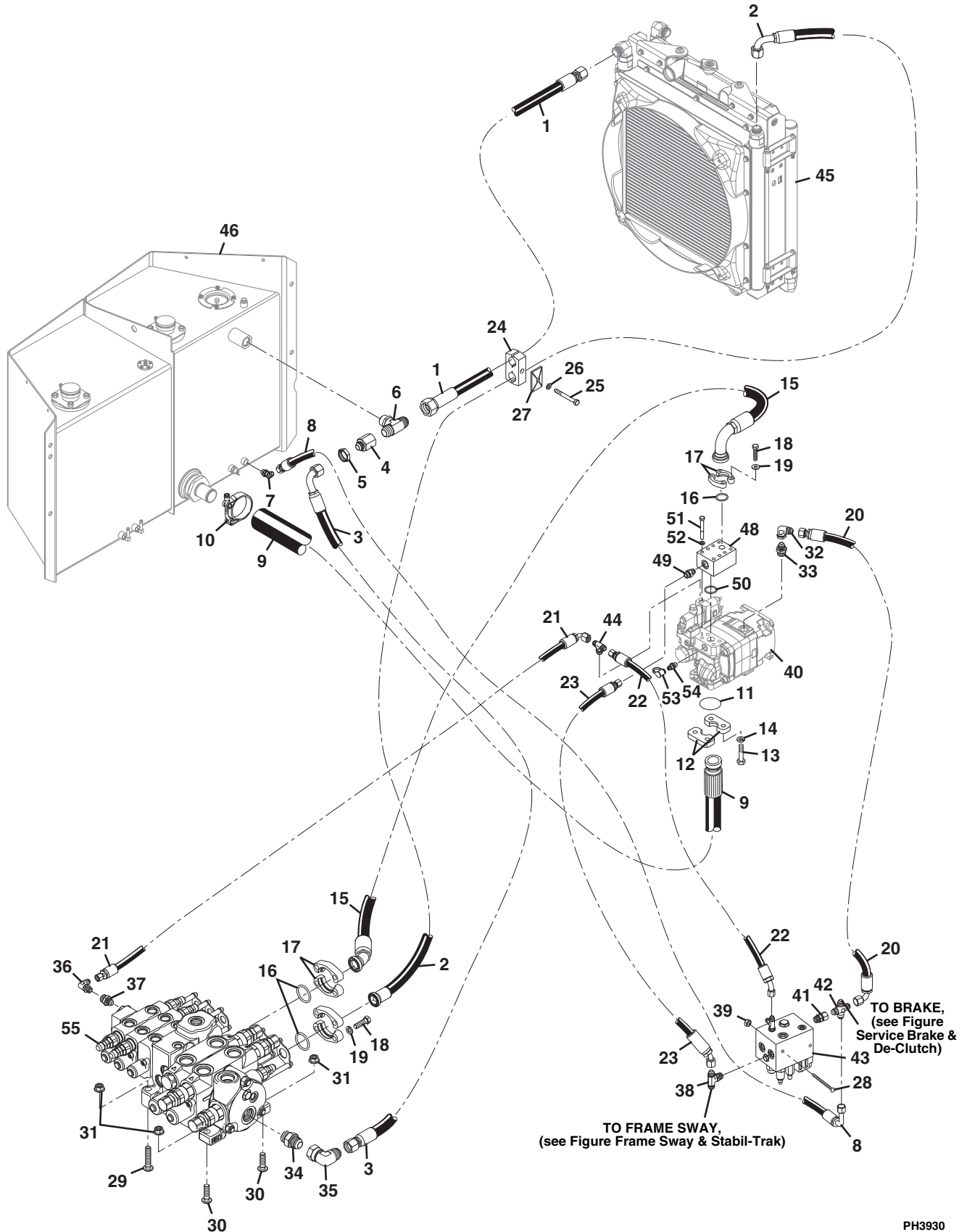
Item	Part Number	Qty.	Description	Rev.



HYDRAULIC CIRCUITS

8042 S/N 18991 thru 19987 & 0160002332 thru 0160003203
10042 S/N 19031 thru 19987 & 0160002332 thru 0160003631
10054 S/N 19080 thru 19987 & 0160002332 thru 0160003204

Figure 8-7 Control Valve



PH3930

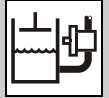
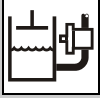


Figure 8-7 Control Valve

Item	Part Number	Qty.	Description	Rev.
1	2717159	1	HOSE ASSY	
2	2717158	1	HOSE ASSY	
3	2716694	1	HOSE ASSY	
4	8762012	1	TUBE END REDUCER	
5	8760415	1	NUT, 16	
6	8760552	1	MALE BRANCH TEE, (includes o-ring)	
7	2220500	1	ELBOW, 45 DEGREES, (includes o-ring)	
8	2716663	1	HOSE ASSY	
9	2716808	1	HOSE ASSY	
10	8405209	1	HOSE CLAMP	
11	8640208	1	O-RING	
12	10717672	2	FLANGE HALF	
13	8303626	4	HEX HD CAPSCREW, 1/2-13X1.5	
14	8307007	4	LOCKWASHER, 1/2	
15	2716750	1	SPECIAL HOSE	
16	8640123	3	O-RING	
17	8530030	6	FLANGE HALF	
18	8303675	12	HEX HD CAPSCREW, 3/8-16X1.25, GR5	
19	8307005	12	LOCKWASHER, 3/8	
20	2716698	1	HOSE ASSY	
21	2716668	1	HOSE ASSY	
22	2716658	1	HOSE ASSY	
23	2716690	1	HOSE ASSY	
24	8750040	1	TWIN CLAMP SET, 1.46 DIA	
25	8303757	1	HEX HD CAPSCREW, 5/16-18X2.5	
26	8307004	1	LOCKWASHER, 5/16	
27	8750025	1	TWIN COVER PLATE	
28	8310477	2	CARRIAGE BOLT, 5/16-18X5, GR2	
29	8310337	1	CARRIAGE BOLT, 1/2-13X2.5	
30	8310524	2	CARRIAGE BOLT, 1/2-13X1.75	
31	8310523	3	HEX FLANGE NUT, 1/2-13	
32	8765204	1	ELBOW, 90 DEGREES, (swivel nut)	
33	2220374	1	STRAIGHT CONNECTOR, (includes o-ring)	
34	8770173	1	CONNECTOR WITH OUTLET CHECK	
35	8760254	1	ELBOW, 90 DEGREES, (swivel nut)	
36	8760268	1	ELBOW, 90 DEGREES, (includes o-ring)	
37	8760117	1	STRAIGHT CONNECTOR	
38	8760479	1	MALE BRANCH TEE, (includes o-ring)	
39	8310420	2	HEX FLANGE NUT, 5/16-18X1, GR5	
40		Ref	MAIN PUMP, (see Figure 9-8 for details)	
41		Ref	STRAIGHT CONNECTOR, (swivel nut), (see Figure 8-1 for details)	
42		Ref	UNION CROSS, (see Figure 8-1 for details)	
43		Ref	SECONDARY FUNCTION MANIFOLD, (see Figure 9-10 for details)	
44	8760457	1	MALE BRANCH TEE, (includes o-ring)	
45		Ref	OIL COOLER, (see Figure 4-1 for details)	
46		Ref	HYDRAULIC RESERVOIR, (see Figure 9-11 for details)	
48	1001103144	1	CHECK VALVE, 125 PSI	
49	2220373	1	STRAIGHT CONNECTOR	
50	8640123	1	O-RING	



HYDRAULIC CIRCUITS

8042 S/N 18991 thru 19987 & 0160002332 thru 0160003203
10042 S/N 19031 thru 19987 & 0160002332 thru 0160003631
10054 S/N 19080 thru 19987 & 0160002332 thru 0160003204

Figure 8-7 Control Valve (Continued)

Item	Part Number	Qty.	Description	Rev.
51	8303704	4	HEX HD CAPSCREW, 3/8-16X3, GR5	
52	8307005	4	LOCKWASHER, 3/8	
53	8430043	1	DIAGNOSTIC NIPPLE	
54	8430032	1	DUST PLUG	
55		Ref	MAIN CONTROL VALVE, (see Figure 9-9 for details)	

8042 S/N 18991 thru 19987 & 0160002332 thru 0160003203
10042 S/N 19031 thru 19987 & 0160002332 thru 0160003631
10054 S/N 19080 thru 19987 & 0160002332 thru 0160003204

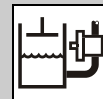


Figure 8-7 Control Valve (Continued)

Item	Part Number	Qty.	Description	Rev.

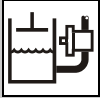
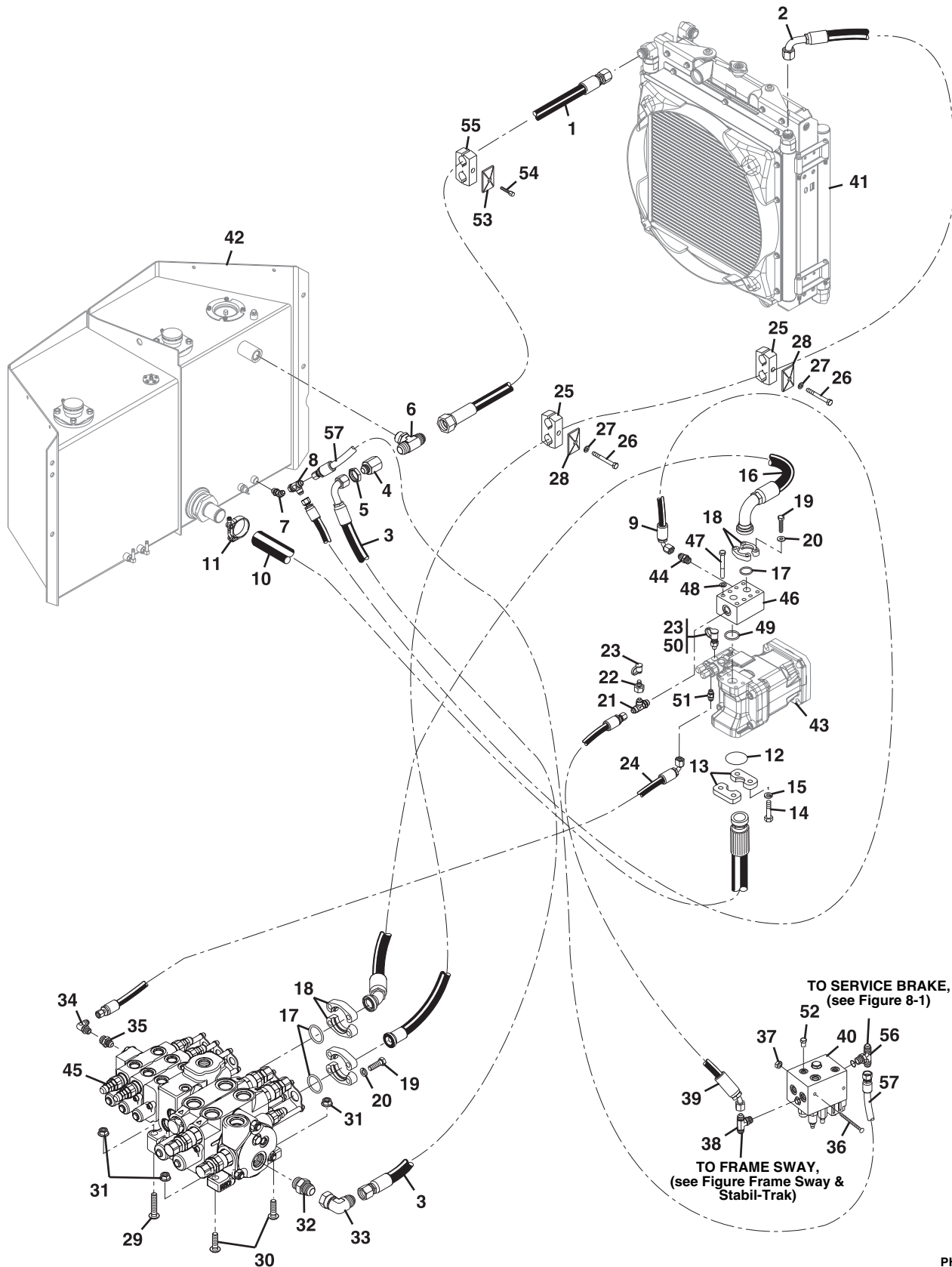


Figure 8-7 Control Valve



8042 S/N 0160003204 thru 0160029592
 10042 S/N 0160003632 thru 0160029606
 10054 S/N 0160003205 thru 0160029593

HYDRAULIC CIRCUITS

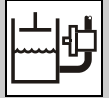
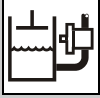


Figure 8-7 Control Valve

Item	Part Number	Qty.	Description	Rev.
1	2717159	1	HOSE ASSY	
2	2717158	1	HOSE ASSY	
3	2716694	1	HOSE ASSY	
4	8762012	1	TUBE END REDUCER	
5	8760415	1	NUT	
6	8760552	1	MALE BRANCH TEE, (includes o-ring)	
7	2220500	1	ELBOW, 45 DEGREES, (includes o-ring)	
8	2220385	1	SWIVEL NUT RUN TEE	
9	2717291	1	PUMP CASE DRAIN HOSE	
10	2716808	1	INLET HOSE	
11	8405209	1	HOSE CLAMP	
12	8640208	1	O-RING	
13	10717672	2	FLANGE HALF	
14	8303626	4	HEX HD CAPSCREW, 1/2-13X1.5	
15	8307007	4	LOCKWASHER, 1/2	
16	2716750	1	SPECIAL HOSE	
17	8640123	3	O-RING	
18	8530030	6	FLANGE HALF	
19	8303675	12	HEX HD CAPSCREW, 3/8-16X1.25, GR5	
20	8307005	12	LOCKWASHER, 3/8	
21	8760510	1	MALE RUN TEE, (includes o-ring)	
22	8430037	1	DIAGNOSTIC NIPPLE, 1/8 BODY	
23	8430032	3	DUST CAP	
24	2717290	1	HOSE ASSY	
25	8750040	2	TWIN CLAMP SET, 1.46 DIA	
26	8303757	2	HEX HD CAPSCREW, 5/16-18X2.5	
27	8307004	2	LOCKWASHER, 5/16	
28	8750025	2	TWIN COVER PLATE	
29	8310377	1	CARRIAGE BOLT, 1/2-13X2.5	
30	8310524	2	CARRIAGE BOLT, 1/2-13X1.75	
31	8310523	3	HEX FLANGE NUT, 1/2-13	
32	8770173	1	CONNECTOR WITH OUTLET CHECK	
33	8760254	1	ELBOW, 90 DEGREES, (swivel nut)	
34	8760268	1	ELBOW, 90 DEGREES, (swivel nut)	
35	8760117	1	STRAIGHT CONNECTOR	
36	8310477	2	CARRIAGE BOLT, 5/16-18X5, GR2	
37	8310420	2	HEX FLANGE NUT, 5/16-18X1, GR5	
38	8760479	1	MALE BRANCH TEE, (includes o-ring)	
39	2716690	1	HOSE ASSY	
40		Ref	SECONDARY FUNCTION MANIFOLD, (see Figure 9-10 for details)	
41		Ref	OIL COOLER, (see Figure 4-1 for details)	
42		Ref	HYDRAULIC RESERVOIR, (see Figure 9-11 for details)	
43		Ref	GEAR PUMP, (see Figure 9-8 for details)	
44	2220374	1	STRAIGHT CONNECTOR	
45		Ref	MAIN CONTROL VALVE, (see Figure 9-9 for details)	
46	1001103144	1	CHECK VALVE, 125 PSI	
47	8303704	4	HEX HD CAPSCREW, 3/8-16X3, GR5	
48	8307005	4	LOCKWASHER, 3/8	
49	8640123	1	O-RING	



HYDRAULIC CIRCUITS

8042 S/N 0160003204 thru 0160029592
10042 S/N 0160003632 thru 0160029606
10054 S/N 0160003205 thru 0160029593

Figure 8-7 Control Valve (Continued)

Item	Part Number	Qty.	Description	Rev.
50	8430033	1	NIPPLE	
51	2220603	1	STRAIGHT CONNECTOR, (includes o-ring)	
52	8760451	1	PLUG	
53	8750017	1	LOCKING PLATE	
54	8750026	1	STACKING BOLT	
55	8750040	1	TWIN CLAMP SET, 1.46 DIA	
56	2220999	1	TEE FITTING	
57	2716663	1	HOSE ASSEMBLY	

8042 S/N 0160003204 thru 0160029592
10042 S/N 0160003632 thru 0160029606
10054 S/N 0160003205 thru 0160029593

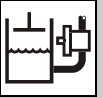


Figure 8-7 Control Valve (Continued)

Item	Part Number	Qty.	Description	Rev.

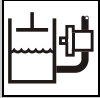
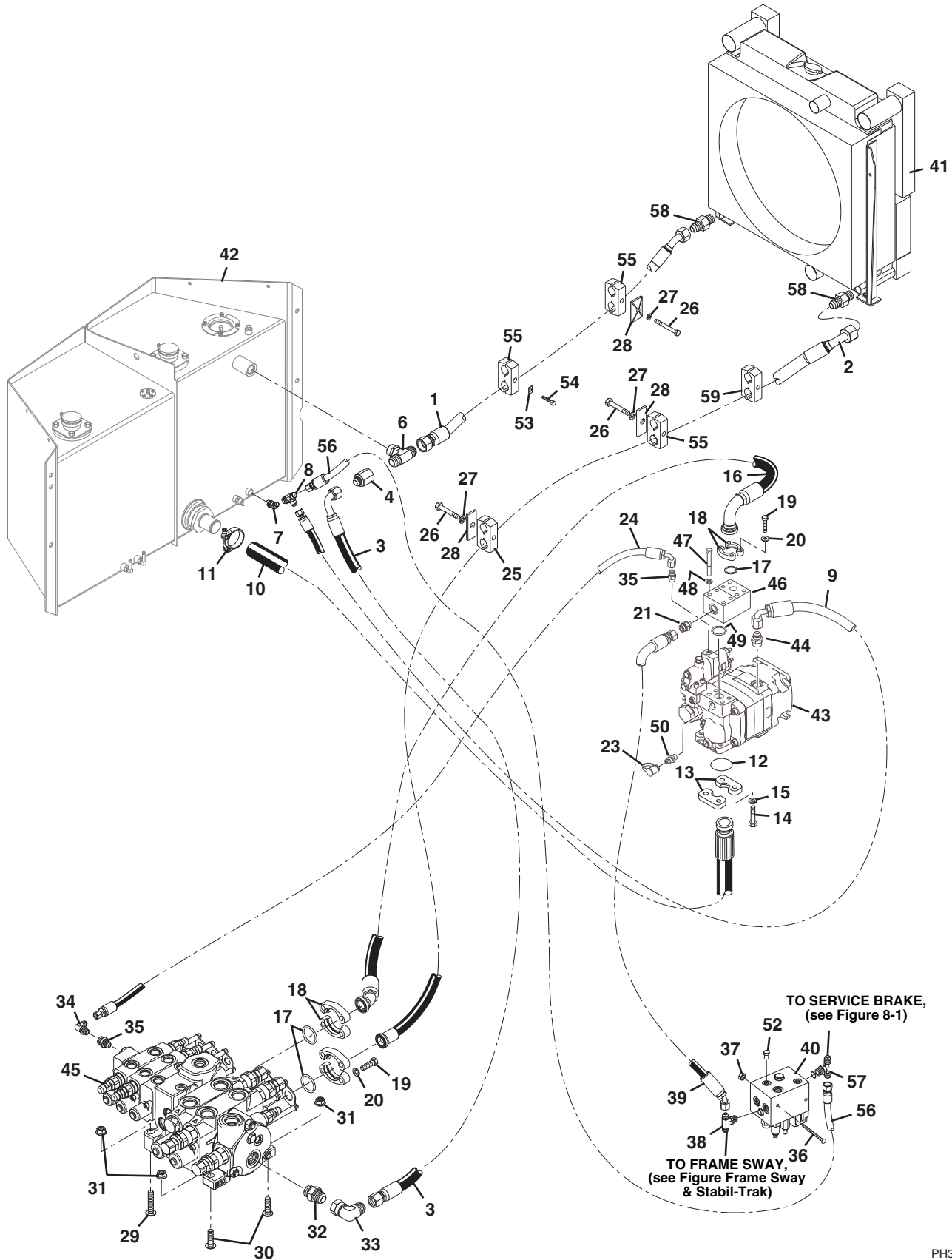


Figure 8-7 Control Valve



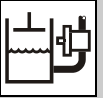


Figure 8-7 Control Valve

Item	Part Number	Qty.	Description	Rev.
1	1001093135	1	HOSE ASSY	
2	1001093134	1	HOSE ASSY	
3	2716694	1	HOSE ASSY	
4	2220710	1	TUBE END REDUCER	
6	8760552	1	MALE BRANCH TEE, (includes o-ring)	
7	2220500	1	ELBOW, 45 DEGREES, (includes o-ring)	
8	2220385	1	SWIVEL NUT RUN TEE	
9	2717291	1	PUMP CASE DRAIN HOSE	
10	2716808	1	INLET HOSE	
11	8405209	1	HOSE CLAMP	
12	8640208	1	O-RING	
13	10717672	2	FLANGE HALF	
14	8303626	4	HEX HD CAPSCREW, 1/2-13X1.5	
15	8307007	4	LOCKWASHER, 1/2	
16	2716750	1	SPECIAL HOSE	
17	8640123	3	O-RING	
18	8530030	6	FLANGE HALF	
19	8303675	12	HEX HD CAPSCREW, 3/8-16X1.25, GR5	
20	8307005	12	LOCKWASHER, 3/8	
21	2220373	1	STRAIGHT CONNECTOR, (includes o-ring)	
23	8430032	2	DUST CAP	
24	2716668	1	HOSE ASSY	
25	8750024	1	TWIN CLAMP SET, 1.18 DIA	
26	8303757	3	HEX HD CAPSCREW, 5/16-18X2.5	
27	8307004	3	LOCKWASHER, 5/16	
28	8750025	3	TWIN COVER PLATE	
29	8310377	1	CARRIAGE BOLT, 1/2-13X2.5	
30	8310524	2	CARRIAGE BOLT, 1/2-13X1.75	
31	8310523	3	HEX FLANGE NUT, 1/2-13	
32	8770173	1	CONNECTOR WITH OUTLET CHECK	
33	2220655	1	ELBOW, 90 DEGREES, (swivel nut)	
34	8760268	1	ELBOW, 90 DEGREES, (swivel nut)	
35	2220371	2	STRAIGHT CONNECTOR	
36	8310477	2	CARRIAGE BOLT, 5/16-18X5, GR2	
37	8310420	2	HEX FLANGE NUT, 5/16-18X1, GR5	
38	2220999	1	MALE BRANCH TEE, (includes o-ring)	
39	2716690	1	HOSE ASSY	
40		Ref	SECONDARY FUNCTION MANIFOLD, (see Figure 9-10 for details)	
41		Ref	OIL COOLER, (see Figure 4-1 for details)	
42		Ref	HYDRAULIC RESERVOIR, (see Figure 9-11 for details)	
43		Ref	MAIN PUMP, (see Figure 9-8 for details)	
44	2220374	1	STRAIGHT CONNECTOR	
45		Ref	MAIN CONTROL VALVE, (see Figure 9-9 for details)	
46	1001103144	1	CHECK VALVE, 125 PSI	
47	8303704	4	HEX HD CAPSCREW, 3/8-16X3, GR5	
48	8307005	4	LOCKWASHER, 3/8	
49	8640123	1	O-RING	
50	8430033	1	NIPPLE, MALE STRAIGHT	
52	2220237	1	PLUG	

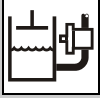


Figure 8-7 Control Valve (Continued)

Item	Part Number	Qty.	Description	Rev.
53	8750017	2	LOCKING PLATE	
54	8750026	2	STACKING BOLT	
55	8750040	3	TWIN CLAMP SET, 1.46 DIA	
56	2716663	1	HOSE ASSY	
57	2220999	1	TEE FITTING	
58	2111212	1	CONNECTOR	
59		Ref	TWIN CLAMP SET, (see Figure 8-9 for details)	

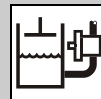
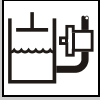


Figure 8-7 Control Valve (Continued)

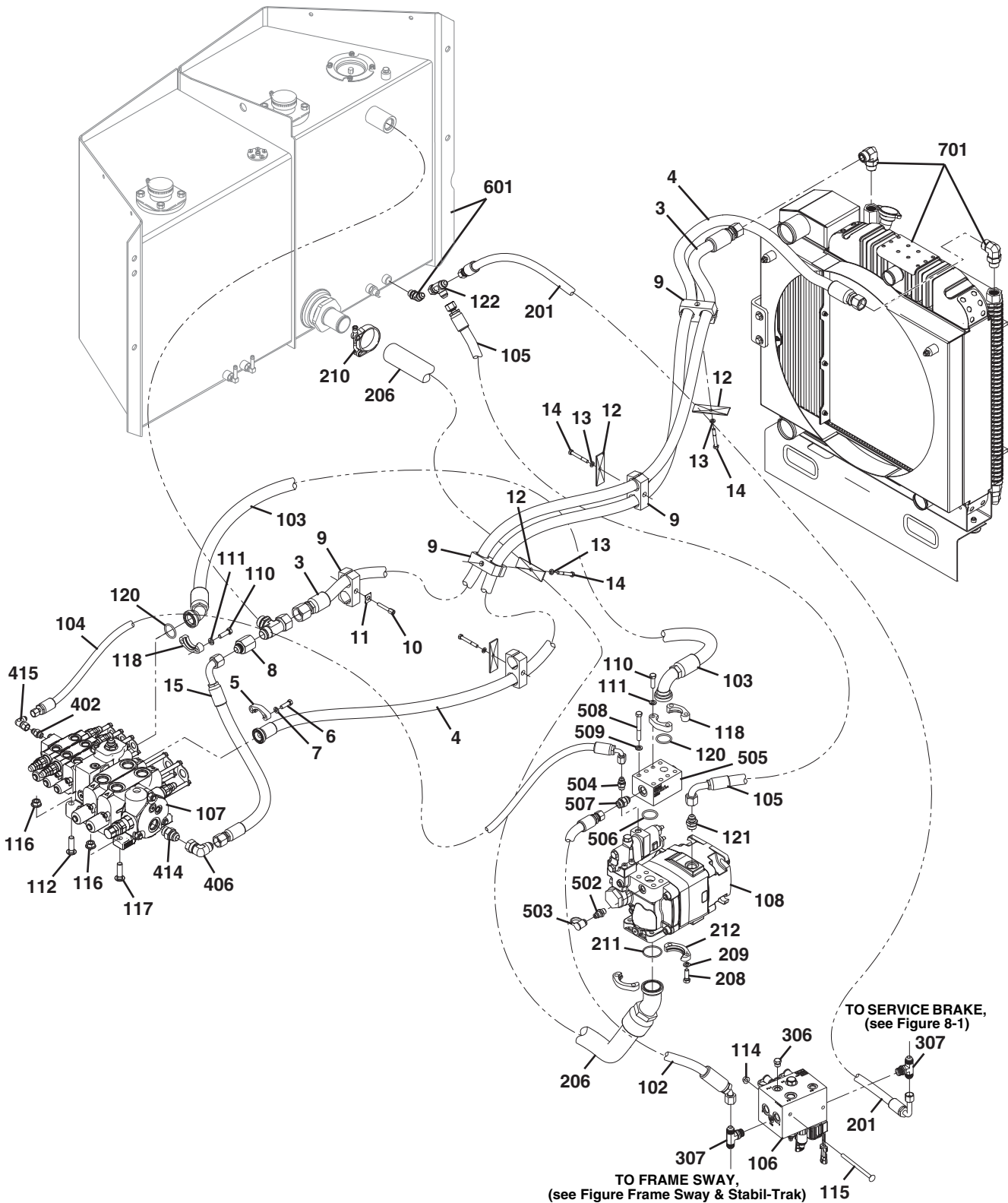
Item	Part Number	Qty.	Description	Rev.



HYDRAULIC CIRCUITS

8042 & 10054 S/N 0160038984 thru 0160040218 excluding 0160039850, 0160040126 thru 0160040129 & 0160040171
10042 S/N 0160038371 thru 160040218 excluding 0160039850, 0160040126 thru 0160040129 & 0160040171

Figure 8-7 Control Valve



PH4951

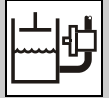
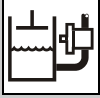


Figure 8-7 Control Valve

Item	Part Number	Qty.	Description	Rev.
3	2755085	1	HOSE ASSY	
4	2755086	1	HOSE ASSY	
5	8530030	2	FLANGE HALF	
6	8303675	4	HEX HD CAPSCREW, 3/8-16X1-1/4, GR5	
7	8307005	4	LOCKWASHER, 3/8	
8	2220710	1	CONNECTOR	
9	8750040	5	CLAMP SET	
10	8750026	1	STACKING BOLT	
11	8750017	1	LOCKING PLATE	
12	8750025	4	COVER PLATE	
13	8307004	4	LOCKWASHER, 5/16	
14	8303757	4	HEX HD CAPSCREW, 5/16-18X2-1/2, GR5	
15	2716694	1	HOSE ASSY	
102	2716690	1	HOSE ASSY	
103	2716750	1	HOSE ASSY	
104	2716668	1	HOSE ASSY	
105	2717291	1	HOSE ASSY	
106		Ref	SECONDARY FUNCTION MANIFOLD, (see Figure 9-10 for details)	
107		Ref	MAIN CONTROL VALVE, (see Figure 9-9 for details)	
108		Ref	GEAR PUMP, (see Figure 9-8 for details)	
110	8303675	8	HEX HD CAPSCREW, 3/8-16X1-1/4, GR5	
111	8307005	8	LOCKWASHER, 3/8	
112	8310337	1	CARRIAGE BOLT, 1/2-13X2-1/2	
114	8310420	2	FLANGE NUT, 5/16-18	
115	8310477	2	CARRIAGE BOLT, 5/16-18X2-1/4, GR2	
116	8310523	3	HEX FLANGE NUT, 1/2-13	
117	8310524	2	CARRIAGE BOLT, 1/2-13X1-3/4	
118	8530030	4	FLANGE HALF	
120	8640123	2	O-RING	
121	2220374	1	CONNECTOR	
122	2220385	1	SWIVEL NUT RUN TEE	
201	2716663	1	HOSE ASSY	
206	2716808	1	HOSE ASSY	
208	8303626	4	HEX HD CAPSCREW, 1/2-13X1-1/2, GR5, (torque to 60 lb-ft)	
209	8307007	4	LOCKWASHER, 1/2	
210	8405209	1	T-BOLT CLAMP	
211	8640208	1	O-RING	
212	8546407	2	FLANGE HALF	
306	2220237	1	PLUG	
307	2220999	2	BRANCH TEE, (includes o-ring)	
402	2220371	1	CONNECTOR, (includes o-ring)	
406	2220655	1	ELBOW, 90 DEGREES	
414	8770173	1	CHECK VALVE, 65 PSI	
415	8760268	1	ELBOW, 90 DEGREES	
502	8430043	1	CONNECTOR, (includes o-ring)	
503	8430032	1	DUST CAP	
504	2220371	1	CONNECTOR, (includes o-ring)	
505	1001103144	1	CHECK VALVE, 125 PSI	
506	8640123	1	O-RING	



HYDRAULIC CIRCUITS

8042 & 10054 S/N 0160038984 thru 0160040218 excluding 0160039850,
0160040126 thru 0160040129 & 0160040171
10042 S/N 0160038371 thru 160040218 excluding 0160039850,
0160040126 thru 0160040129 & 0160040171

Figure 8-7 Control Valve (Continued)

Item	Part Number	Qty.	Description	Rev.
507	2220373	1	CONNECTOR, (includes o-ring)	
508	8303704	4	HEX HD CAPSCREW, 3/8-16X3, GR5	
509	8307005	4	LOCKWASHER, 3/8	
601		Ref	HYDRAULIC RESERVOIR, (see Figure 9-11 for details)	
701		Ref	RADIATOR, (see Figure 4-3 for details)	

8042 & 10054 S/N 0160038984 thru 0160040218 excluding 0160039850,
0160040126 thru 0160040129 & 0160040171
10042 S/N 0160038371 thru 160040218 excluding 0160039850,
0160040126 thru 0160040129 & 0160040171

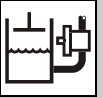


Figure 8-7 Control Valve (Continued)

Item	Part Number	Qty.	Description	Rev.

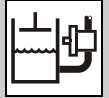
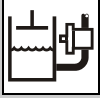


Figure 8-7 Control Valve

Item	Part Number	Qty.	Description	Rev.
	1001119056	Ref	COOLER PLUMBING INSTALLATION, (not available to order, see items 1 thru 12 for service)	C
1	2220710	1	CONNECTOR	
2	2716694	1	HOSE ASSY	
3	8303675	4	HEX HD CAPSCREW, 3/8-16X1-1/4, GR5	
4	8303757	1	HEX HD CAPSCREW, 5/16-18X2-1/2, GR5	
5	8307004	1	LOCKWASHER, 5/16	
6	8307005	4	LOCKWASHER, 3/8	
7	8530030	2	FLANGE HALF	
8	8750025	1	COVER PLATE	
10	8750040	1	CLAMP SET	
11	1001119055	1	HOSE ASSY	
12	1001119107	1	HOSE ASSY	
102	2716690	1	HOSE ASSY	
103	2716750	1	HOSE ASSY	
104	2716668	1	HOSE ASSY	
105	2717291	1	HOSE ASSY, (if equipped with red gear pump 8444228 or black gear pump 8444230)	
	1001135055	1	HOSE ASSY, (if equipped with grey gear pump 1001135002)	
106		Ref	SECONDARY FUNCTION MANIFOLD, (see Figure 9-10 for details)	
107		Ref	MAIN CONTROL VALVE, (see Figure 9-9 for details)	
108		Ref	GEAR PUMP, (see Figure 9-8 for details)	
110	8303675	8	HEX HD CAPSCREW, 3/8-16X1-1/4, GR5	
111	8307005	8	LOCKWASHER, 3/8	
112	8310337	1	CARRIAGE BOLT, 1/2-13X2-1/2	
114	8310420	2	FLANGE NUT, 5/16-18	
115	8310477	2	CARRIAGE BOLT, 5/16-18X2-1/4, GR2	
116	8310523	3	HEX FLANGE NUT, 1/2-13	
117	8310524	2	CARRIAGE BOLT, 1/2-13X1-3/4	
118	8530030	4	FLANGE HALF	
120	8640123	2	O-RING	
121	2220374	1	CONNECTOR, (includes o-ring), (if equipped with red gear pump 8444228)	
	2220374	1	STRAIGHT FITTING, (includes o-ring), (if equipped with black gear pump 8444230)	
	2220947	1	STRAIGHT FITTING, (includes o-ring), (if equipped with grey gear pump 1001135002)	
122	2220385	1	TEE FITTING, (includes o-ring)	
124	91513140	1	FITTING, 90 DEGREES, (if equipped with grey gear pump 1001135002)	
201	2716663	1	HOSE ASSY	
206	2716808	1	HOSE ASSY	
208	8303626	4	HEX HD CAPSCREW, 1/2-13X1-1/2, GR5, (torque to 60 lb-ft)	
209	8307007	4	LOCKWASHER, 1/2	
210	8405209	1	T-BOLT CLAMP	
211	8640208	1	O-RING	
212	10717672	2	FLANGE HALF	
306	2220237	1	PLUG	
307	2220999	2	BRANCH TEE, (includes o-ring)	
402	2220371	1	CONNECTOR, (includes o-ring)	
406	2220655	1	ELBOW, 90 DEGREES	



HYDRAULIC CIRCUITS

S/N 0160040220 & After including 0160039850,
0160040126 thru 0160040129 & 0160040171

Figure 8-7 Control Valve (Continued)

Item	Part Number	Qty.	Description	Rev.
414	8770173	1	CHECK VALVE, 65 PSI	
415	8760268	1	ELBOW, 90 DEGREES	
502	8430043	1	CONNECTOR, (includes o-ring), (if equipped with red gear pump 8444228)	
	8430033	1	CONNECTOR, (includes o-ring), (if equipped with black gear pump 8444230 or grey gear pump 1001135002)	
503	8430032	1	DUST CAP, (if equipped with red gear pump 8444228)	
	8430032	2	DUST CAP, (if equipped with black gear pump 8444230 or grey gear pump 1001135002)	
504	2220371	1	CONNECTOR, (includes o-ring), (if equipped with red gear pump 8444228)	
505	1001103144	1	CHECK VALVE, 125 PSI	
506	8640123	1	O-RING	
507	2220373	1	CONNECTOR, (includes o-ring), (if equipped with red gear pump 8444228)	
508	8303704	4	HEX HD CAPSCREW, 3/8-16X3, GR5	
509	8307005	4	LOCKWASHER, 3/8	
555	8430037	1	DIAGNOSTIC NIPPLE, 1/8 BODY, (if equipped with black gear pump 8444230 or grey gear pump 1001135002)	
558	2220603	1	STRAIGHT CONNECTOR, (includes o-ring), (if equipped with black gear pump 8444230)	
559	2220602	1	TEE FITTING, (includes o-ring), (if equipped with black gear pump 8444230 or grey gear pump 1001135002)	
601		Ref	HYDRAULIC RESERVOIR, (see Figure 9-11 for details)	
701		Ref	RADIATOR, (see Figure 4-3 for details)	

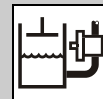


Figure 8-7 Control Valve (Continued)

Item	Part Number	Qty.	Description	Rev.

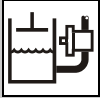
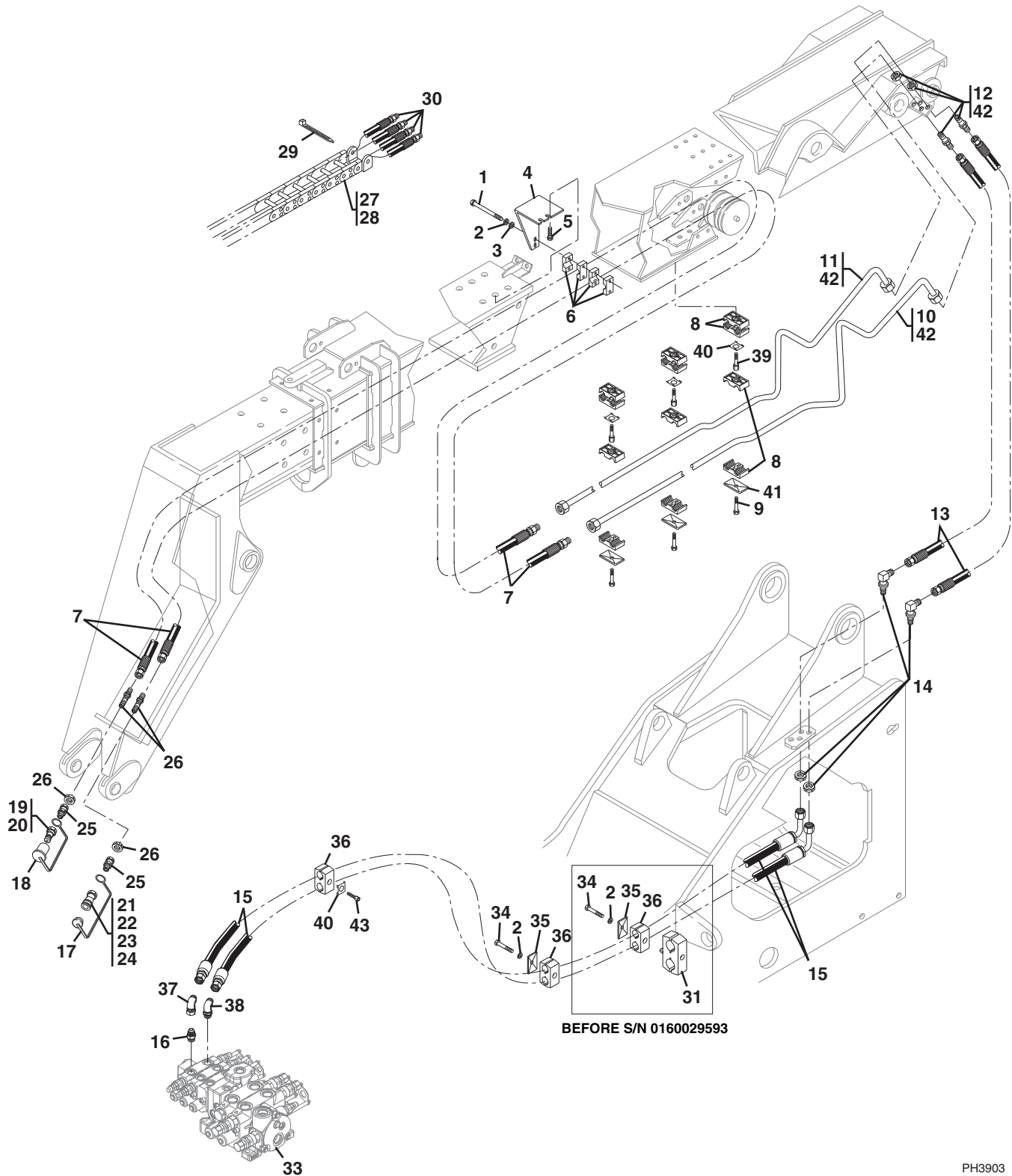


Figure 8-8 Auxiliary Hydraulic



PH3903

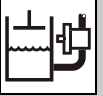
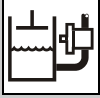


Figure 8-8 Auxiliary Hydraulic

Item	Part Number	Qty.	Description	Rev.
1	8310081	2	HEX HD CAPSCREW, 5/16-18X5	
2	8307004	3	LOCKWASHER, 5/16, (Before S/N 0160029593)	
	8307004	2	LOCKWASHER, 5/16, (S/N 0160029593 thru 0160040761)	
	8307004	3	LOCKWASHER, 5/16, (S/N 0160040762 & After)	
3	8307203	2	FLAT WASHER, 5/16	
4	7111402	1	CLAMP SUPPORT	
5		Ref	HEX HD CAPSCREW, (see Figure 2-3 for details)	
6	8769161	2	SINGLE CLAMP, 0.75 ID, (8042 & 10042 only)	
	8750003	2	SINGLE CLAMP, 0.62 ID, (10054 only)	
7	2713082	2	HOSE ASSY, (8042 & 10042 only, see item 27 for 10054)	
8	8769122	6	TWIN CLAMP, 0.62 ID, (two halves)	
9	8303739	3	HEX HD CAPSCREW, 5/16-18X2-1/4	
10	7133843	1	AUXILIARY TUBE ASSY, (8042 S/N 13198 thru 17217), (10042 S/N 13198 thru 17513), (10054 S/N 13198 thru 17212)	
	7300675	1	AUXILIARY TUBE ASSY, (8042 S/N 17218 thru 19987 & 0160002332 & After), (10042 S/N 17514 thru 19987 & 0160002332 & After), (10054 S/N 17213 thru 19987 & 0160002332 & After)	
11	7133853	1	AUXILIARY TUBE ASSY, (8042 S/N 13198 thru 17217), (10042 S/N 13198 thru 17513), (10054 S/N 13198 thru 17212)	
	7300674	1	AUXILIARY TUBE ASSY, (8042 S/N 17218 thru 19987 & 0160002332 & After), (10042 S/N 17514 thru 19987 & 0160002332 & After), (10054 S/N 17213 thru 19987 & 0160002332 & After)	
12	8760465	2	STRAIGHT BULKHEAD UNION	
13	2716713	2	HOSE ASSY	
14	2230044	2	BULKHEAD ELBOW, 90 DEGREES	
15	2716677	2	HOSE ASSY	
16	2220373	1	STRAIGHT CONNECTOR, (includes o-ring)	
17	8420055	1	DUST PLUG, #8	
18	8420053	1	DUST CAP, #8	
19	91403414	1	MALE QUICK DISCONNECT, (includes item 20)	
20	8640029	1	NOSE SEAL, (not shown)	
21	91403413	1	FEMALE QUICK DISCONNECT, (includes items 22 thru 24)	
22	8640029	1	NOSE SEAL, (not shown)	
23	8640028	1	COUPLER BODY SEAL, (not shown)	
24	8640032	1	COUPLER BODY SEAL BACK-UP RING, (not shown)	
25	2220651	2	STRAIGHT CONNECTOR, (swivel nut), (includes o-ring)	
26	2230025	2	STRAIGHT BULKHEAD UNION	
27	7112452	1	HOSE & CARRIER ASSY, (includes items 28 thru 30), (10054 only)	
28	NSS	1	HOSE CARRIER, (for service, order item 27)	
29	8584001	2	TIE WRAP	
30	2713642	4	HOSE ASSY	
31		Ref	TWIN CLAMP, (see Figure 8-9 for details)	
33		Ref	MAIN CONTROL VALVE, (see Figure 9-9 for details)	
34	8310009	2	HEX HD CAPSCREW, 5/16-18X2, (Before S/N 0160029593)	
	8310009	1	HEX HD CAPSCREW, 5/16-18X2, (S/N 0160029593 thru 0160040761)	
	8310009	2	HEX HD CAPSCREW, 5/16-18X2, (S/N 0160040762 & After)	
35	8769128	2	TWIN COVER PLATE, (Before S/N 0160029593)	
	8769128	1	TWIN COVER PLATE, (S/N 0160029593 thru 0160040761)	
	8769128	1	TWIN COVER PLATE, (S/N 0160040762 & After)	
36	8750027	3	TWIN CLAMP SET, 0.84 DIA, (Before S/N 0160029593)	



HYDRAULIC CIRCUITS

Figure 8-8 Auxiliary Hydraulic (Continued)

Item	Part Number	Qty.	Description	Rev.
	8750027	2	TWIN CLAMP SET, 0.84 DIA, (S/N 0160029593 thru 0160040761)	
	8750027	2	TWIN CLAMP SET, 0.84 DIA, (S/N 0160040762 & After)	
37	8765204	1	ELBOW, 90 DEGREES, (swivel nut)	
38	2220596	1	ELBOW, 90 DEGREES, (include o-ring)	
39	8750011	3	TWIN CLAMP STACK BOLT	
40	8750017	4	TWIN CLAMP LOCK PLATE	
41	8769123	3	TWIN CLAMP COVER PLATE	
42	8526048	1	LOCTITE® 545™, (apply to items 10, 11 & 12)	
43	8750012	1	STACKING BOLT	

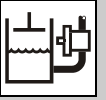


Figure 8-8 Auxiliary Hydraulic (Continued)

Item	Part Number	Qty.	Description	Rev.

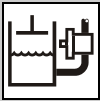
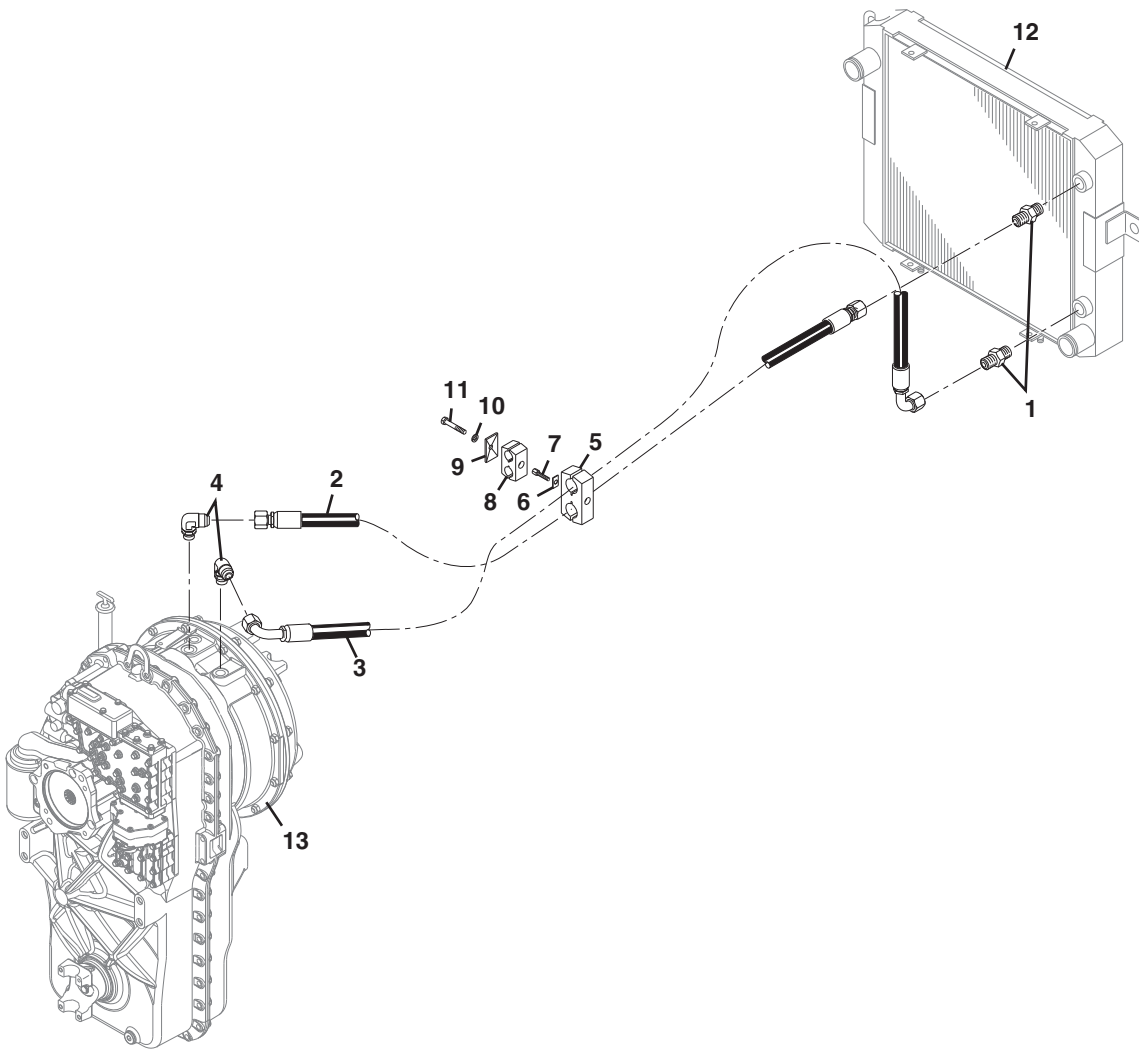


Figure 8-9 Transmission Cooler



8042 S/N 13198 thru 18990
 10042 S/N 13198 thru 19030
 10054 S/N 13198 thru 19079

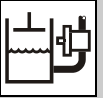
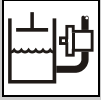


Figure 8-9 Transmission Cooler

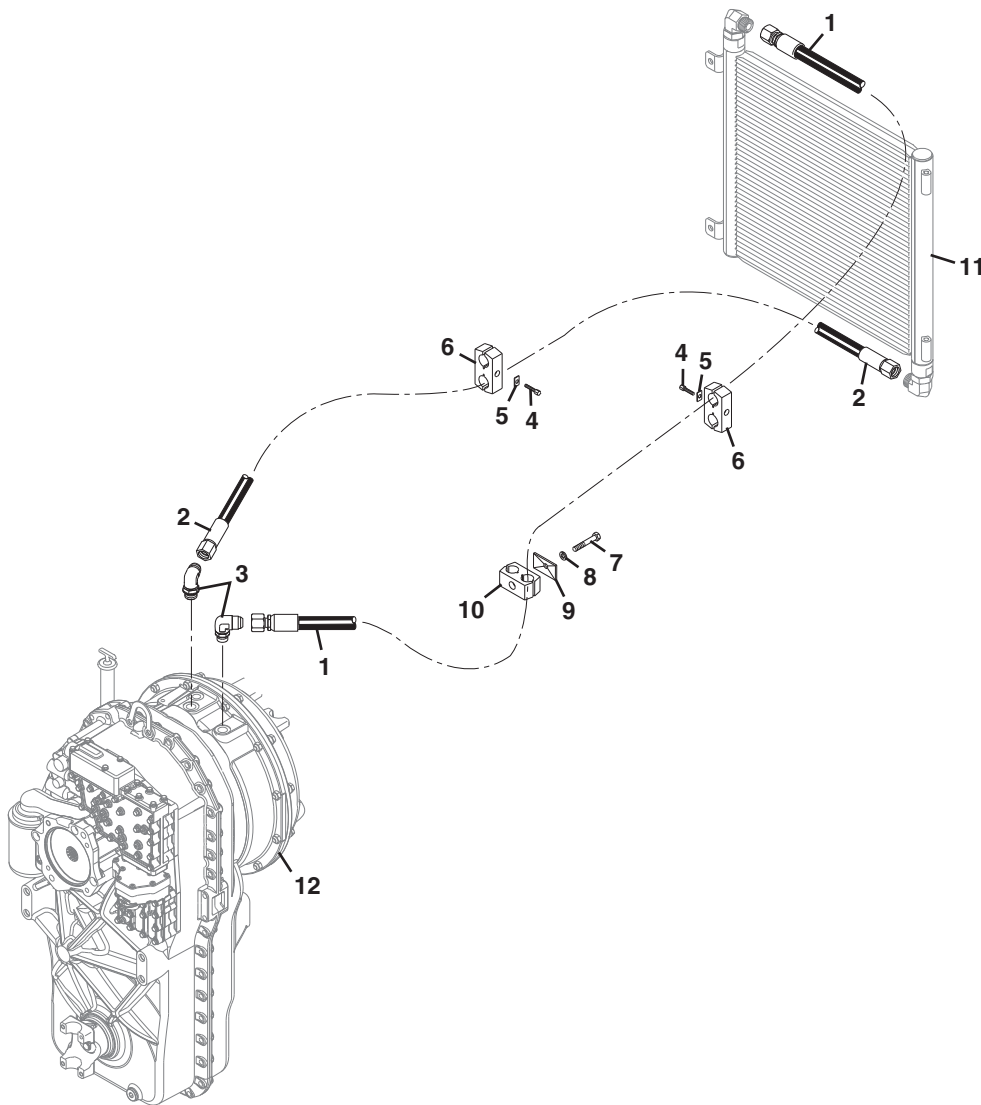
Item	Part Number	Qty.	Description	Rev.
1	8770070	2	CONNECTOR, (includes o-ring)	
2	2716622	1	HOSE ASSY	
3	2716621	1	HOSE ASSY	
4	8760328	2	ELBOW, 90 DEGREES, (includes o-ring)	
5	8750024	1	TWIN CLAMP SET	
6	8750017	1	TWIN CLAMP LOCKING PLATE	
7	8750026	1	STOCKING BOLT	
8	8750027	1	TWIN CLAMP SET, 0.84 DIA	
9	8769128	1	TWIN COVER PLATE	
10	8307004	1	LOCKWASHER, 5/16	
11	0641538	1	HEX HD CAPSCREW, 5/16-18X4-3/4	
12		Ref	TRANSMISSION OIL COOLER, (see Figure 4-3 for details)	
13		Ref	TRANSMISSION, (see Figure 5-18 for details)	



HYDRAULIC CIRCUITS

8042 S/N 18991 thru 19987 & 0160002332 thru 0160029592
10042 S/N 19031 thru 19987 & 0160002332 thru 0160029606
10054 S/N 19080 thru 19987 & 0160002332 thru 0160029593

Figure 8-9 Transmission Cooler



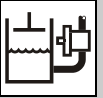


Figure 8-9 Transmission Cooler

Item	Part Number	Qty.	Description	Rev.
1	2717149	1	HOSE ASSY	
2	2717150	1	HOSE ASSY	
3	2131210	2	ELBOW, 90 DEGREES, (includes o-ring)	
4	8750026	2	STACKING BOLT	
5	8750017	2	TWIN CLAMP LOCKING PLATE	
6	8750040	2	TWIN CLAMP SET	
7	8303757	1	HEX HD CAPSCREW, 5/16-18X2-1/2	
8	8307004	1	LOCKWASHER, 5/16	
9	8750025	1	TWIN COVER PLATE	
10	8750024	1	TWIN CLAMP SET, 1.84 DIA, (8042 S/N 18991 thru 19987 & 0160002332 thru 0160027180), (10042 S/N 19031 thru 19987 & 016002332 thru 0160027232), (10054 S/N 19080 thru 19987 & 0160002332 thru 0160027182)	
	8750040	1	TWIN CLAMP SET, (8042 S/N 0160027181 thru 016002959200), (10042 S/N 0160027233 thru 0160029606), (10054 S/N 0160027182 thru 0160029593)	
11		Ref	TRANSMISSION OIL COOLER, (see Figure 4-3 for details)	
12		Ref	TRANSMISSION, (see Figure 5-18 for details)	

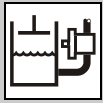
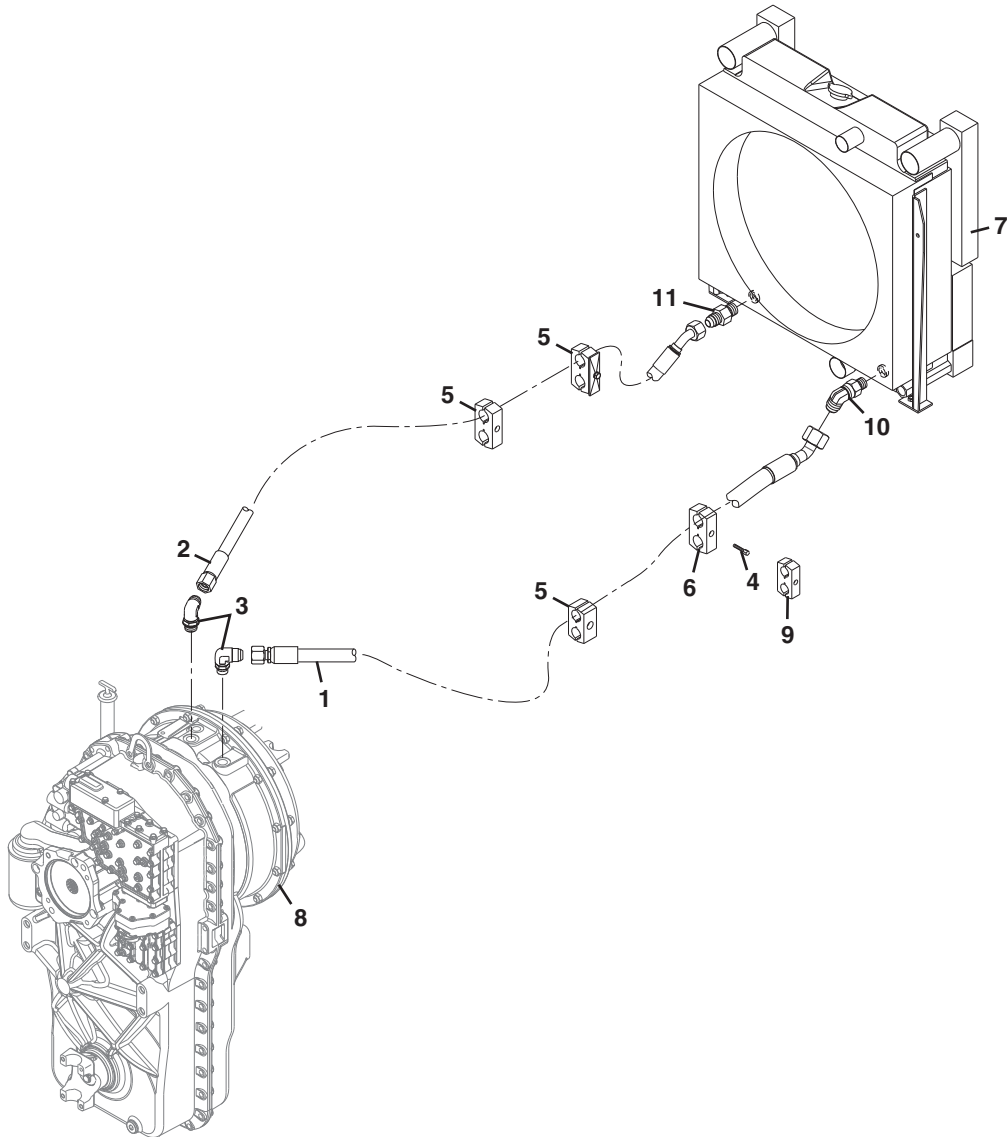


Figure 8-9 Transmission Cooler



PH3921

8042 & 10054 S/N 0160029593
 thru 0160038983
 10042 S/N 0160029607 thru 0160038370

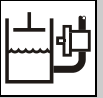


Figure 8-9 Transmission Cooler

Item	Part Number	Qty.	Description	Rev.
1	1001093136	1	HOSE ASSY	
2	1001093137	1	HOSE ASSY	
3	2131210	2	ELBOW, 90 DEGREES, (includes o-ring)	
4	8750026	1	STACKING BOLT	
5		Ref	TWIN CLAMP SET, (see Figure 8-7 for details)	
6	8750040	1	TWIN CLAMP SET	
7		Ref	TRANSMISSION OIL COOLER, (see Figure 4-3 for details)	
8		Ref	TRANSMISSION, (see Figure 5-18 for details)	
9		Ref	TWIN CLAMP SET, (see Figure 10-2 for details)	
10	2151210	1	ELBOW, 45 DEGREES, (includes o-ring)	
11	2111210	1	CONNECTOR, (includes o-ring)	

8042 & 10054 S/N 0160038984 thru 0160040218
 excluding 39850, 40126 thru 40129 & 40171
 10042 S/N 0160038371 thru 0160040218
 excluding 39850, 40126 thru 40129 & 40171

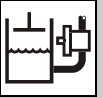


Figure 8-9 Transmission Cooler

Item	Part Number	Qty.	Description	Rev.
1	2755083	1	HOSE ASSY	
2	2755084	1	HOSE ASSY	
9	8750040	2	TWIN CLAMP SET	
10	8750026	1	STACKING BOLT	
11	8750017	1	LOCKING PLATE	
12	8750025	1	TWIN COVER PLATE	
13	8307004	1	LOCKWASHER, 5/16	
14	8303757	1	HEX HD CAPSCREW, 5/16-18X2-1/2, GR5	
101		Ref	RADIATOR, (see Figure 4-3 for details)	
107		Ref	ELBOW, 90 DEGREES, (see Figure 4-3 for details)	
210	2131210	1	ELBOW, 90 DEGREES, (includes o-ring)	
211		Ref	TRANSMISSION, (see Figure 5-18 for details)	
212	2131212	1	ELBOW, 90 DEGREES, (includes o-ring)	
213	8760548	1	ADAPTER, (includes o-ring)	

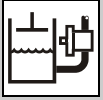
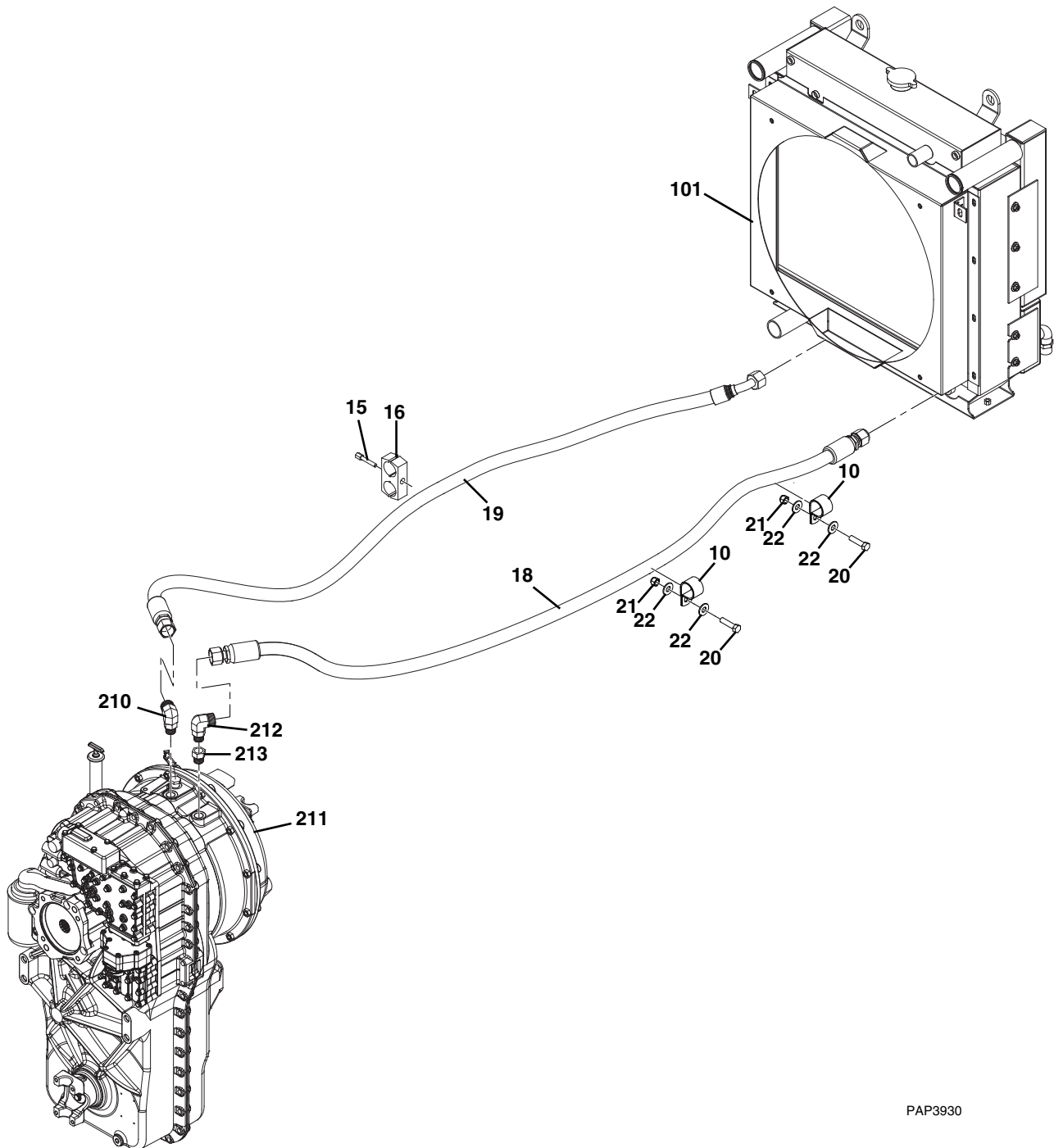


Figure 8-9 Transmission Cooler



PAP3930

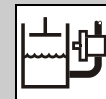
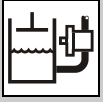


Figure 8-9 Transmission Cooler

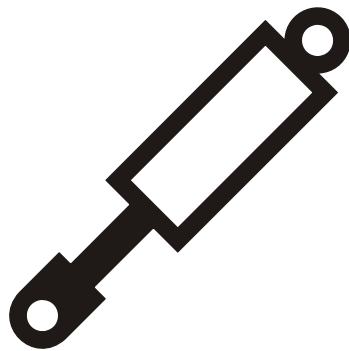
Item	Part Number	Qty.	Description	Rev.
	1001100220	Ref	TRANSMISSION COOLER PLUMBING INSTALLATION, (not available to order, see items 10 thru 22 for service)	B
10	8406302	2	HOSE CLAMP	
15	8750026	1	STACK BOLT	
16	8750040	1	CLAMP SET	
18	1001100222	1	TRANSMISSION HOSE ASSY, LH	
19	1001100223	1	TRANSMISSION HOSE ASSY, RH	
20	0641612	2	HEX HD CAPSCREW, 3/8-16X1-1/2, GR5	
21	8305645	2	HEX LOCKNUT, 3/8-16	
22	8310200	4	WASHER, 3/8	
101		Ref	RADIATOR ASSY, (see Figure 4-3 for details)	
210	2131210	1	ADAPTER, 90 DEGREES, (includes o-ring)	
211		Ref	TRANSMISSION ASSY, (see Figure 5-18 for details)	
212	2131212	1	ADAPTER, 90 DEGREES, (includes o-ring)	
213	8760548	1	ADAPTER, STRAIGHT, (includes o-ring)	



This Page Intentionally Left Blank

SECTION 9

HYDRAULIC COMPONENTS





HYDRAULIC COMPONENTS

8042 S/N 13198 thru 19987 & 0160002332 & After
10042 S/N 13198 thru 18397
10054 S/N 13198 thru 19987 & 0160002332 & After

Figure 9-1 Extend/Retract Cylinder

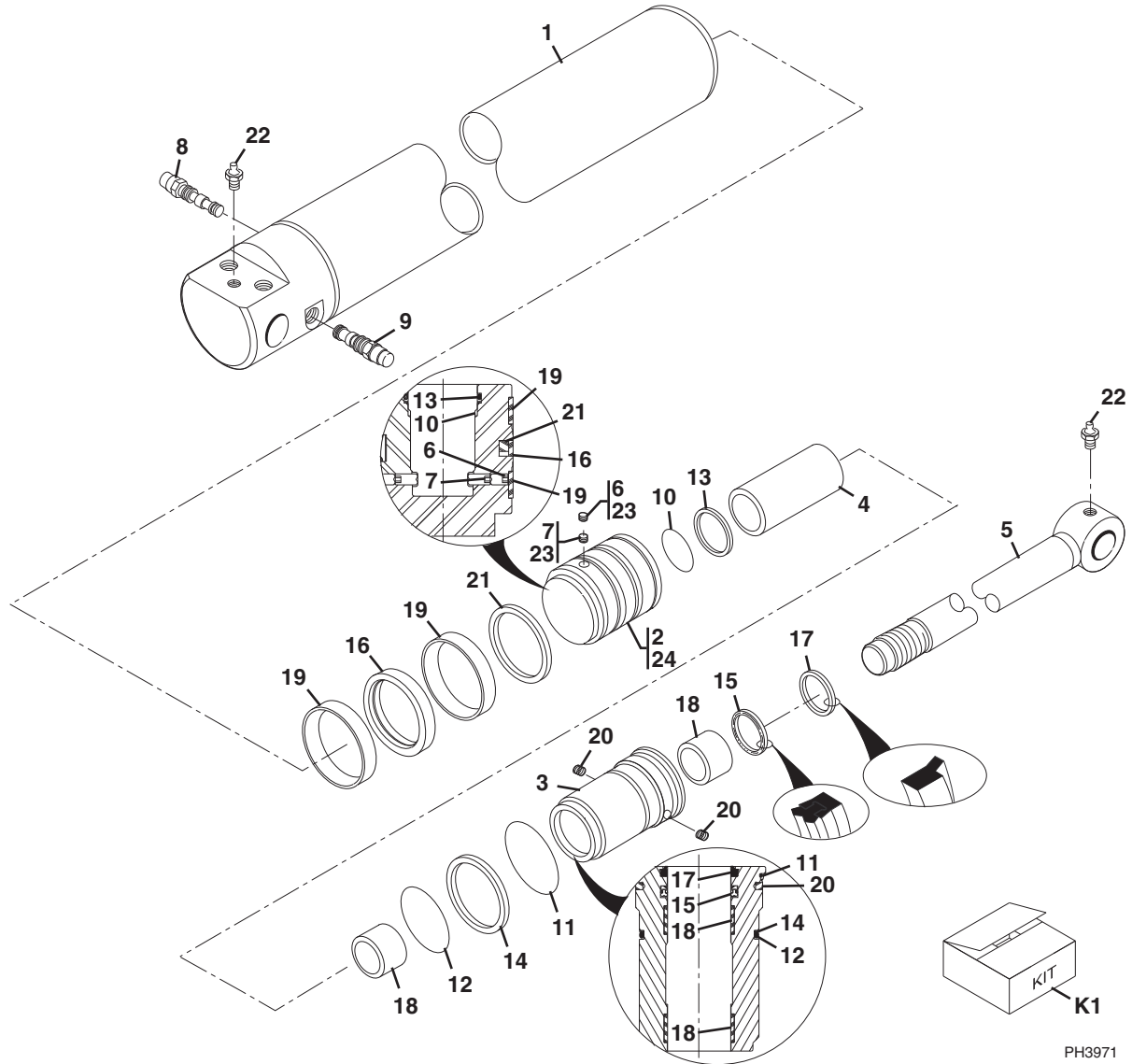




Figure 9-1 Extend/Retract Cylinder

Item	Part Number	Qty.	Description	Rev.
	2716173	1	BOOM EXTEND/RETRACT CYLINDER, (includes items 1 thru 22)	
1	NSS	1	TUBE WELDMENT	
2	8035800	1	PISTON, (Loctite® & torque to 390-460 lb-ft)	
3	8035539	1	HEAD GLAND, (torque to 300-400 lb-ft)	
4	8035616	1	ROD SPACER	
5	8035615	1	ROD WELDMENT	
6	8035536	1	SET SCREW, 5/16-18X.50, (Loctite® & torque to 9-11 lb-ft)	
7	8035315	1	SET SCREW, 5/16-18X.63, (Loctite® & torque to 9-11 lb-ft)	
8	8035514	1	COUNTERBALANCE VALVE, 3500 PSI, (torque to 150-160 lb-ft)	
	8205657	1	SEAL KIT	
9	8034026	1	PILOT TO OPEN CHECK VALVE, (torque to 150-160 lb-ft)	
	8205657	1	SEAL KIT	
10	Use Kit K1	1	O-RING	
11	Use Kit K1	1	O-RING	
12	Use Kit K1	1	O-RING	
13	Use Kit K1	1	BACK-UP RING	
14	Use Kit K1	1	BACK-UP RING	
15	Use Kit K1	1	ROD SEAL	
16	Use Kit K1	1	PISTON SEAL	
17	Use Kit K1	1	WIPER SEAL	
18	Use Kit K1	2	WEARBAND	
19	Use Kit K1	2	WEARBAND	
20	Use Kit K1	2	LOCKING INSERT	
21	Use Kit K1	1	SQUARE RING	
22	8520013	2	GREASE FITTING	
23	8526007	1	LOCTITE® 242™, (apply to items 6 & 7)	
24	8526011	1	LOCTITE® 271™, (apply to item 2)	
K1	8036295	1	SEAL KIT, (includes items 10 thru 21)	



Figure 9-1 Extend/Retract Cylinder

10042

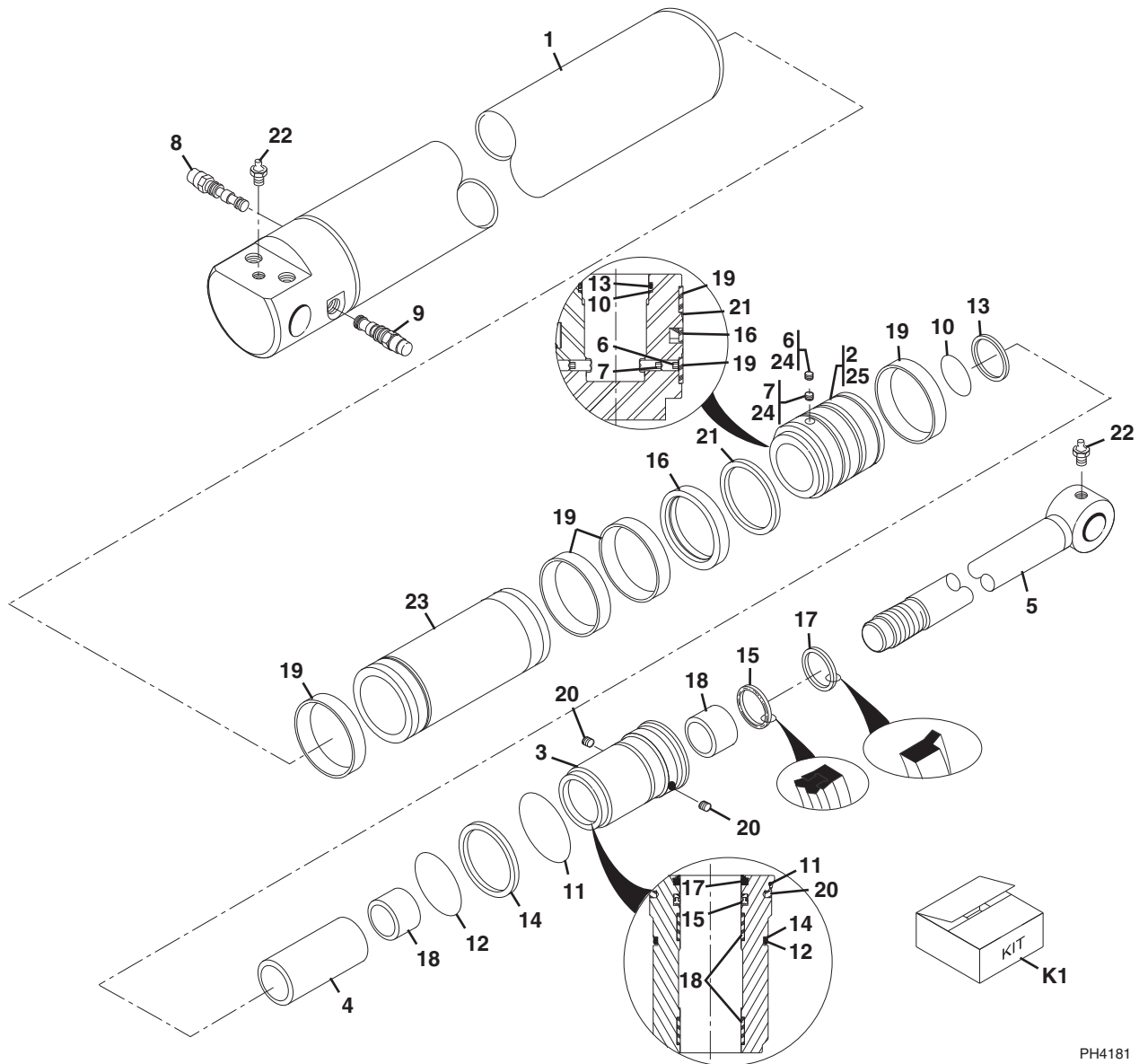




Figure 9-1 Extend/Retract Cylinder

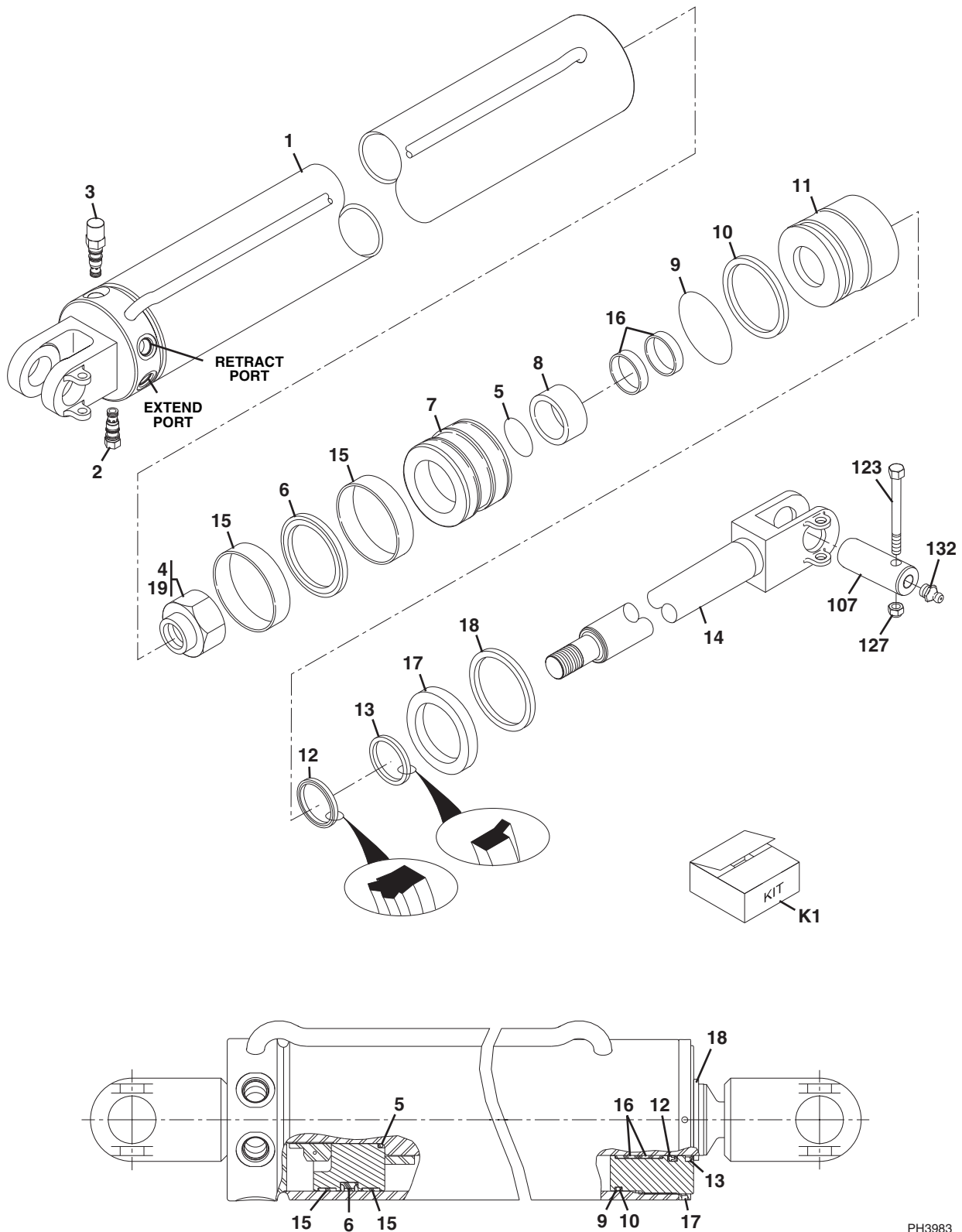
Item	Part Number	Qty.	Description	Rev.
	2717052	1	BOOM EXTEND/RETRACT CYLINDER, (includes items 1 thru 23)	
1	NSS	1	TUBE WELDMENT	
2	8035800	1	PISTON, (Loctite® & torque to 390-460 lb-ft)	
3	8035539	1	HEAD GLAND, (torque to 300-400 lb-ft)	
4	8035616	1	ROD SPACER	
5	8035615	1	ROD WELDMENT	
6	8035536	1	SET SCREW, 5/16-18X.50, (Loctite® & torque to 9-11 lb-ft)	
7	8035315	1	SET SCREW, 5/16-18X.63, (Loctite® & torque to 9-11 lb-ft)	
8	8035514	1	COUNTERBALANCE VALVE, 3500 PSI, (torque to 150-160 lb-ft)	
	8205657	1	SEAL KIT	
9	8034026	1	PILOT TO OPEN CHECK VALVE, (torque to 150-160 lb-ft)	
	8205657	1	SEAL KIT	
10	Use Kit K1	1	O-RING	
11	Use Kit K1	1	O-RING	
12	Use Kit K1	1	O-RING	
13	Use Kit K1	1	BACK-UP RING	
14	Use Kit K1	1	BACK-UP RING	
15	Use Kit K1	1	ROD SEAL	
16	Use Kit K1	1	PISTON SEAL	
17	Use Kit K1	1	WIPER SEAL	
18	Use Kit K1	2	WEARBAND	
19	Use Kit K1	4	WEARBAND	
20	Use Kit K1	2	LOCKING INSERT	
21	Use Kit K1	1	SQUARE RING	
22	8520013	2	GREASE FITTING	
23	7026579	1	SPACER	
24	8526007	1	LOCTITE® 242™, (apply to items 6 & 7)	
25	8526011	1	LOCTITE® 271™, (apply to item 2)	
K1	8036295	1	SEAL KIT, (includes items 10 thru 21)	



HYDRAULIC COMPONENTS

8042 S/N 13198 thru 19145
10042 S/N 13198 thru 19241
10054 S/N 13198 thru 19113

Figure 9-2 Lift/Lower Cylinder



PH3983

8042 S/N 13198 thru 19145
 10042 S/N 13198 thru 19241
 10054 S/N 13198 thru 19113

HYDRAULIC COMPONENTS



Figure 9-2 Lift/Lower Cylinder

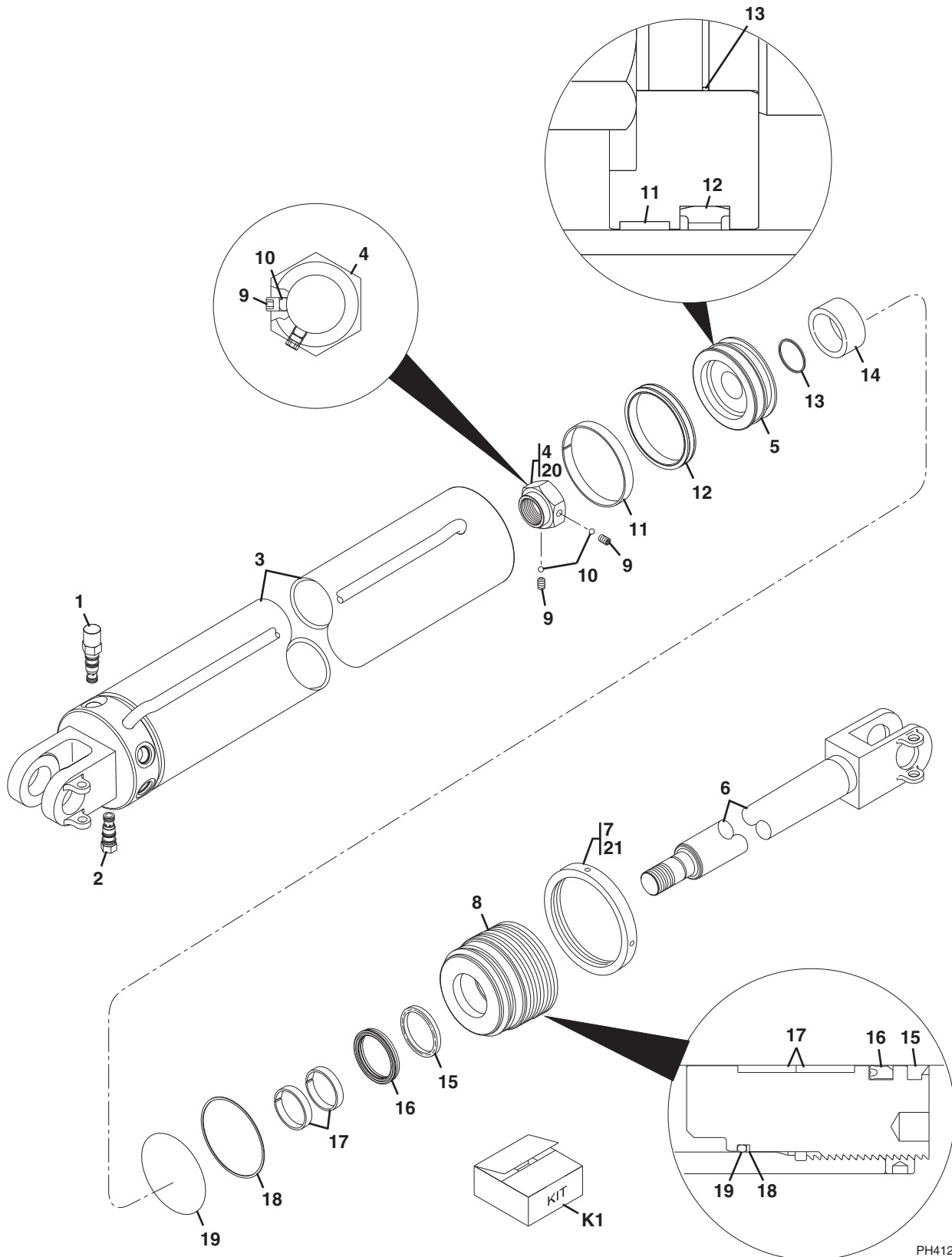
Item	Part Number	Qty.	Description	Rev.
	2716617	2	BOOM LIFT/LOWER CYLINDER, (includes items 1 thru 18)	C, N
1	NSS	1	TUBE WELDMENT	
2	8036750	1	CHECK VALVE, 4000 ± 50 PSI, (torque to 30-35 lb-ft)	
	2900770	1	SEAL KIT	
3	8035321	1	COUNTERBALANCE VALVE, 4000 ± 50 PSI	
	8035327	1	SEAL KIT	
4	8035308	1	LOCKNUT, (Loctite® & torque to 1750-2000 lb-ft)	
5	Use Kit K1	1	O-RING	
6	Use Kit K1	1	PISTON SEAL	
7	8035545	1	PISTON	
8	8035608	1	ROD SPACER	
9	Use Kit K1	1	O-RING	
10	Use Kit K1	1	BACK-UP RING	
11	8035609	1	GLAND	
12	Use Kit K1	1	ROD SEAL	
13	Use Kit K1	1	WIPER	
14	8035607	1	ROD	
15	Use Kit K1	2	WEARBAND	
16	Use Kit K1	2	WEARBAND	
17	8035610	1	LOCKING COLLAR, (torque to 300-400 lb-ft)	
18	8036168	1	SQUARE RING	
19	8526011	AR	LOCTITE® 271™; (apply to item 4)	
107	3423227	2	CYLINDER PIN	
123	8303782	2	HEX HD CAPSCREW, 1/2-13X4, GR5	
127	8305644	2	HEX LOCKNUT, 1/2-13	
132	8520003	2	LUBE FITTING, 90 DEGREES	
K1	8035386	1	SEAL KIT, (includes items 5, 6, 9, 10, 12, 13, 15 & 16)	
N1	Note	Ref	QUANTITIES SHOWN ARE FOR ONE CYLINDER ONLY.	



HYDRAULIC COMPONENTS

8042 S/N 19146 thru 19987 & 0160002332 thru 0160004653
10042 S/N 19242 thru 19987 & 0160002332 thru 0160004259
10054 S/N 19114 thru 19987 & 0160002332 thru 0160004654

Figure 9-2 Lift/Lower Cylinder



PH4121



Figure 9-2 Lift/Lower Cylinder

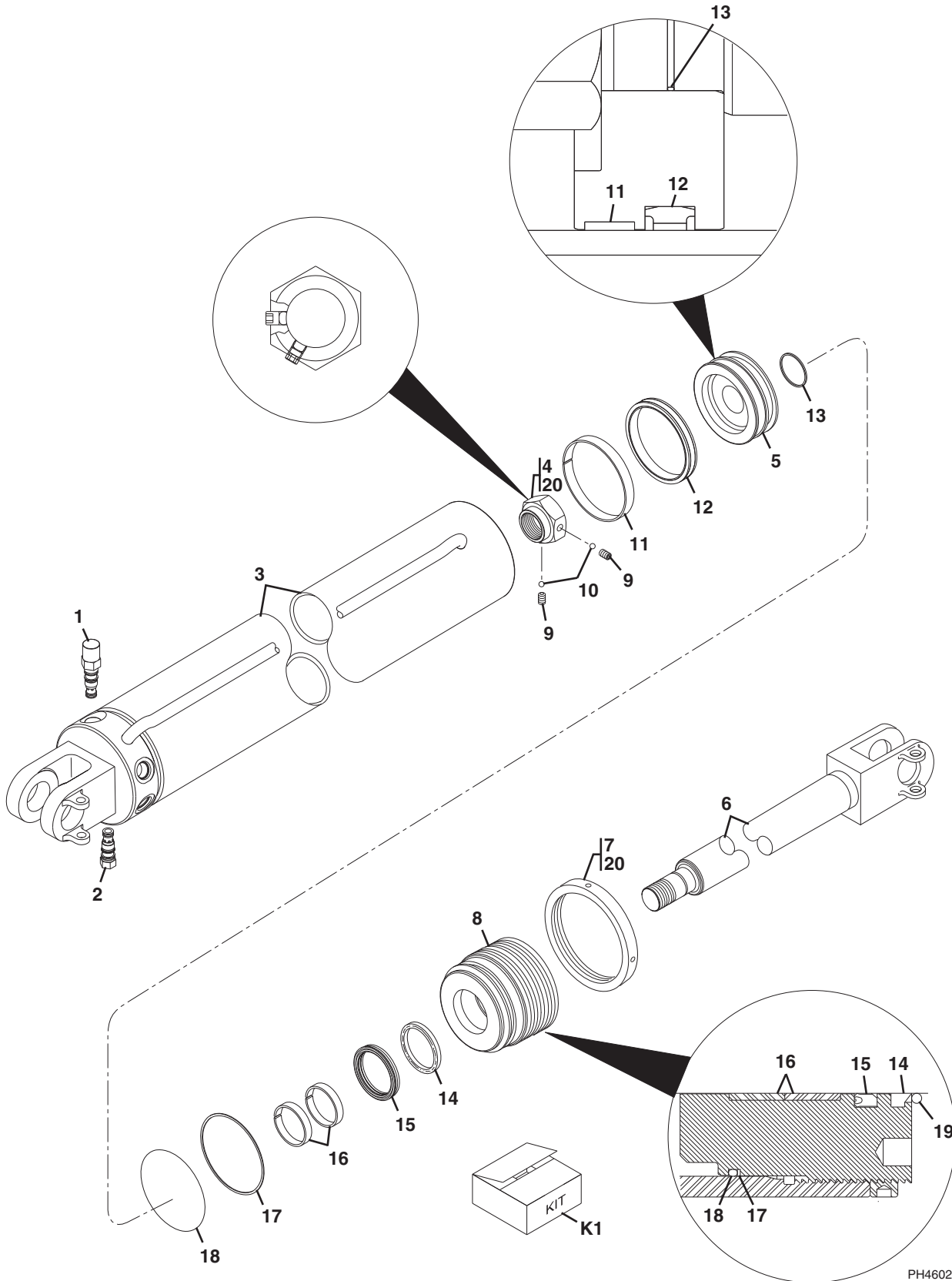
Item	Part Number	Qty.	Description	Rev.
	2717199	2	BOOM LIFT/LOWER CYLINDER, (includes items 1 thru 19)	
1	8035321	1	COUNTERBALANCE VALVE, 4000 ± 50 PSI, (torque to 30-35 lb-ft)	
	8035327	1	SEAL KIT	
2	8036750	1	PO CHECK VALVE, 4000 ± 50 PSI, (torque to 30-35 lb-ft)	
	2900770	1	SEAL KIT	
3	NSS	1	TUBE WELDMENT	
4	8036536	1	SPECIAL NUT, 1-3/4-12, (lubricate & torque to 1735-1885 lb-ft)	
5	8036808	1	PISTON	
6	8036813	1	ROD WELDMENT	
7	8036815	1	LOCKING COLLAR, (lubricate & torque to 300-400 lb-ft)	
8	8036814	1	HEAD GLAND	
9	8036537	2	SET SCREW, 3/8-16X3/8	
10	Use Kit K1	2	NYLON BALL	
11	Use Kit K1	1	PRECISION WEARBAND	
12	Use Kit K1	1	CAPPED T-SEAL	
13	Use Kit K1	1	O-RING	
14	Use Kit K1	1	ROD TUBE SPACER	
15	Use Kit K1	1	WIPER RING	
16	Use Kit K1	1	Z-SEAL	
17	Use Kit K1	2	PRECISION WEARBAND	
18	Use Kit K1	1	BACK-UP RING	
19	Use Kit K1	1	O-RING	
20	8526011	AR	LOCTITE® 271™; (apply to item 4)	
21	8526007	AR	LOCTITE® 242™; (apply to item 7)	
K1	8036746	1	SEAL KIT, (includes items 10 thru 19)	
N1	Note	Ref	QUANTITIES SHOWN ARE FOR ONE CYLINDER ONLY.	



HYDRAULIC COMPONENTS

8042 S/N 0160004670 thru 0160014285
10042 S/N 0160004673 thru 0160015021
10054 S/N 0160004667 thru 0160015024

Figure 9-2 Lift/Lower Cylinder



PH4602

8042 S/N 0160004670 thru 0160014285
 10042 S/N 0160004673 thru 0160015021
 10054 S/N 0160004667 thru 0160015024

HYDRAULIC COMPONENTS



Figure 9-2 Lift/Lower Cylinder

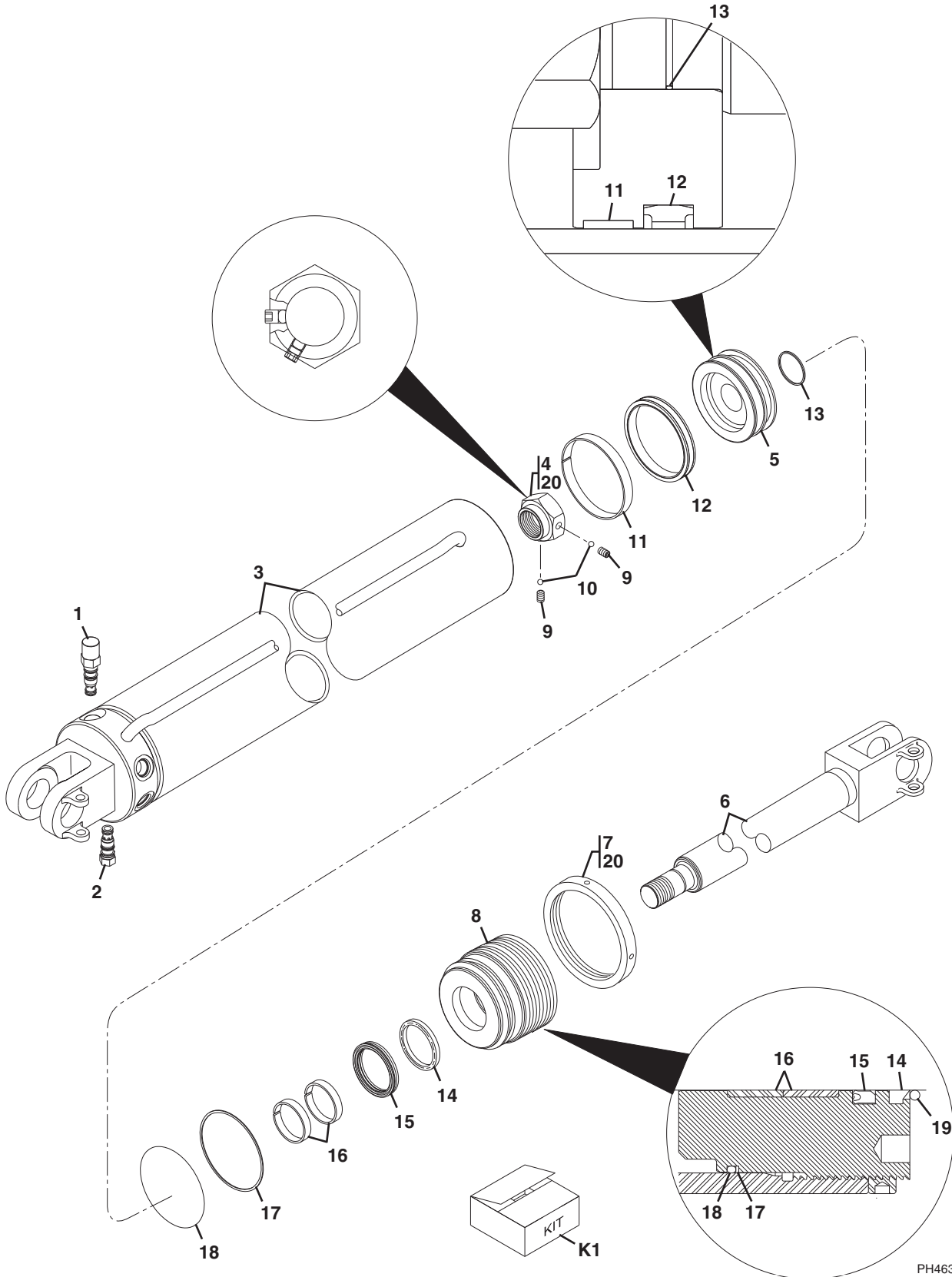
Item	Part Number	Qty.	Description	Rev.
	2717259	2	BOOM LIFT/LOWER CYLINDER, (includes items 1 thru 19)	
1	7029327	1	COUNTERBALANCE VALVE, 4000 ± 50 PSI, (torque to 30-35 lb-ft)	
	7029330	1	SEAL KIT	
2	7029328	1	PO CHECK VALVE, 4000 ± 50 PSI, (torque to 30-35 lb-ft)	
	8025655	1	SEAL KIT	
3	70023270	1	TUBE WELDMENT	
4	8036536	1	SPECIAL NUT, 1-3/4-12, (lubricate & torque to 1735-1885 lb-ft)	
5	8036808	1	PISTON	
6	7029329	1	ROD WELDMENT	
7	8036815	1	LOCKING COLLAR, (lubricate & torque to 300-400 lb-ft)	
8	8036814	1	HEAD GLAND	
9	8036537	2	SET SCREW, 3/8-16X3/8	
10	Use Kit K1	2	NYLON BALL	
11	Use Kit K1	1	PRECISION WEARBAND	
12	Use Kit K1	1	CAPPED T-SEAL	
13	Use Kit K1	1	O-RING	
14	Use Kit K1	1	WIPER RING	
15	Use Kit K1	1	Z-SEAL	
16	Use Kit K1	2	PRECISION WEARBAND	
17	Use Kit K1	1	BACK-UP RING	
18	Use Kit K1	1	O-RING	
19	7029159	1	O-RING	
20	8526011	AR	LOCTITE® 271™; (apply to item 4 & 7)	
K1	8036746	1	SEAL KIT, (includes items 10 thru 18)	
N1	Note	Ref	QUANTITIES SHOWN ARE FOR ONE CYLINDER ONLY.	



HYDRAULIC COMPONENTS

8042 S/N 0160015042 thru 0160030716
10042 S/N 0160015195 thru 0160030708
10054 S/N 0160015044 thru 0160030712

Figure 9-2 Lift/Lower Cylinder



PH4631

8042 S/N 0160015042 thru 0160030716
 10042 S/N 0160015195 thru 0160030708
 10054 S/N 0160015044 thru 0160030712

HYDRAULIC COMPONENTS



Figure 9-2 Lift/Lower Cylinder

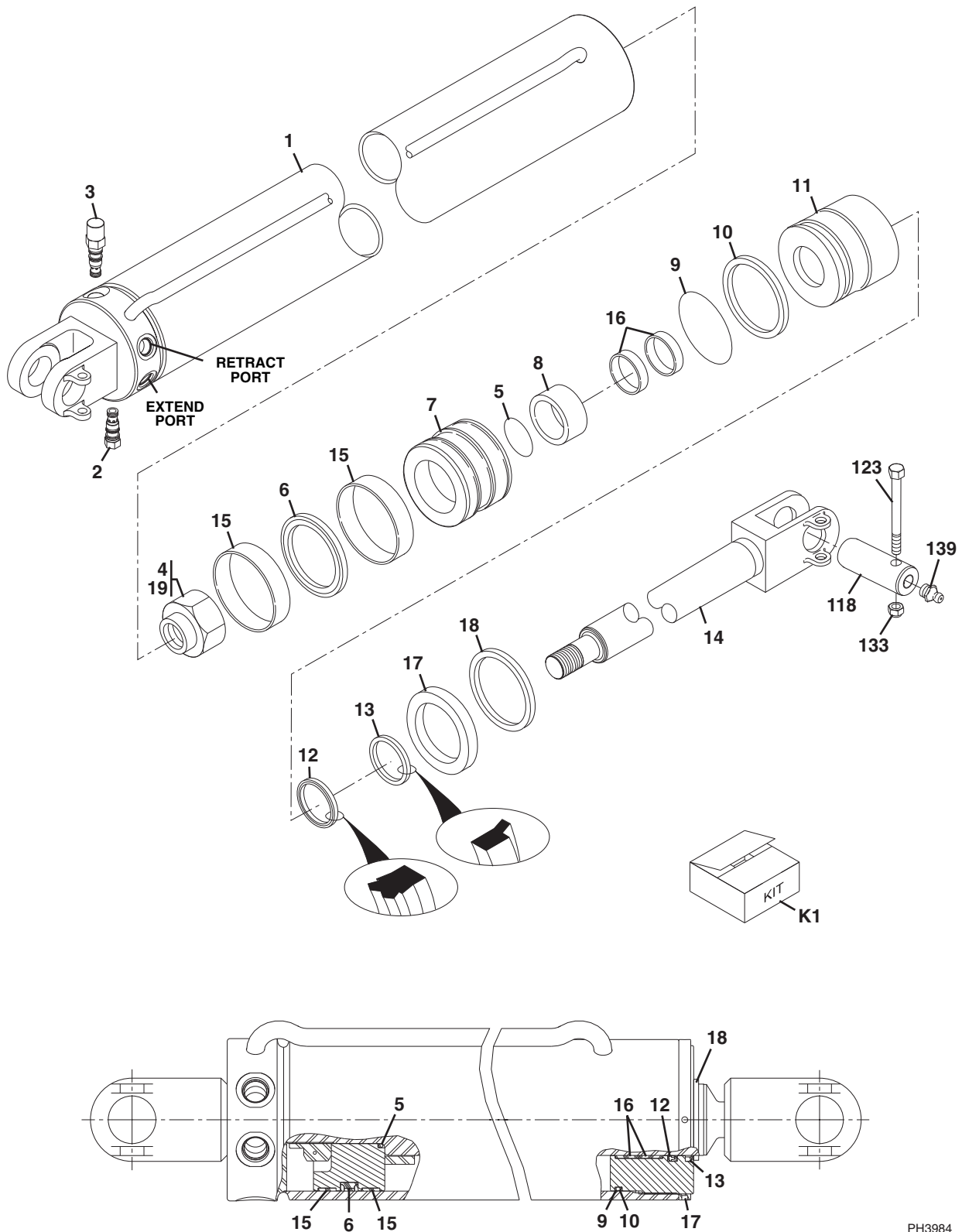
Item	Part Number	Qty.	Description	Rev.
	1684448	2	BOOM LIFT/LOWER CYLINDER, (includes items 1 thru 19)	
1	7029327	1	COUNTERBALANCE VALVE, 4000 ± 50 PSI, (torque to 30-35 lb-ft)	
	7029330	1	SEAL KIT	
2	7029328	1	PO CHECK VALVE, 4000 ± 50 PSI, (torque to 30-35 lb-ft)	
	8025655	1	SEAL KIT	
3	NSS	1	TUBE WELDMENT	
4	8036536	1	SPECIAL NUT, 1-3/4-12, (Loctite® & torque to 1735-1885 lb-ft)	
5	8036808	1	PISTON	
6	7029329	1	ROD WELDMENT	
7	8036815	1	LOCKING COLLAR, (Loctite® & torque to 300-400 lb-ft)	
8	8036814	1	HEAD GLAND	
9	8036537	2	SET SCREW, 3/8-16X3/8	
10	Use Kit K1	2	NYLON BALL	
11	Use Kit K1	1	PRECISION WEARBAND	
12	Use Kit K1	1	CAPPED T-SEAL	
13	Use Kit K1	1	O-RING	
14	Use Kit K1	1	WIPER RING	
15	Use Kit K1	1	Z-SEAL	
16	Use Kit K1	2	PRECISION WEARBAND	
17	Use Kit K1	1	BACK-UP RING	
18	Use Kit K1	1	O-RING	
19	7029159	1	O-RING	
20	8526011	AR	LOCTITE® 271™, (apply to item 4 & 7)	
K1	8036746	1	SEAL KIT, (includes items 10 thru 18)	
N1	Note	Ref	QUANTITIES SHOWN ARE FOR ONE CYLINDER ONLY.	



HYDRAULIC COMPONENTS

8042 S/N 0160030721 & After
10042 S/N 0160030767 & After
10054 S/N 0160030719 & After

Figure 9-2 Lift/Lower Cylinder



8042 S/N 0160030721 & After
 10042 S/N 0160030767 & After
 10054 S/N 0160030719 & After

HYDRAULIC COMPONENTS

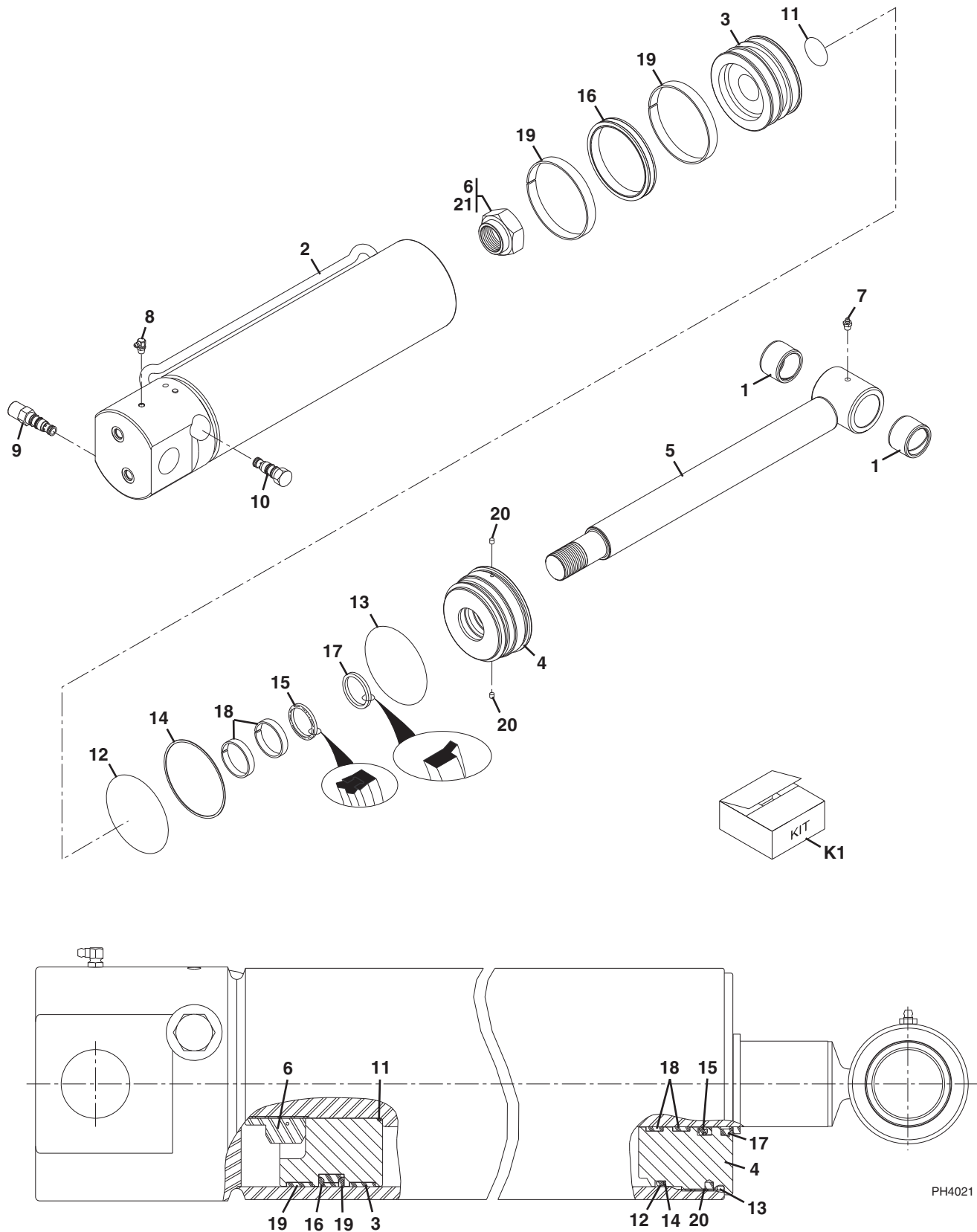


Figure 9-2 Lift/Lower Cylinder

Item	Part Number	Qty.	Description	Rev.
	2716617	2	BOOM LIFT/LOWER CYLINDER, (includes items 1 thru 18)	
1	NSS	1	TUBE WELDMENT	
2	8036750	1	CHECK VALVE, 4000 ± 50 PSI, (torque to 30-35 lb-ft)	
	2900770	1	SEAL KIT	
3	8035321	1	COUNTERBALANCE VALVE, 4000 ± 50 PSI	
	8035327	1	SEAL KIT	
4	7026972	1	LOCKNUT, (Loctite® & torque to 1750-2000 lb-ft)	
5	Use Kit K1	1	O-RING	
6	Use Kit K1	1	PISTON SEAL	
7	8035545	1	PISTON	
8	8035608	1	ROD SPACER	
9	Use Kit K1	1	O-RING	
10	Use Kit K1	1	BACK-UP RING	
11	8035609	1	GLAND	
12	Use Kit K1	1	ROD SEAL	
13	Use Kit K1	1	WIPER	
14	8035607	1	ROD	
15	Use Kit K1	2	WEARBAND	
16	Use Kit K1	2	WEARBAND	
17	8035610	1	LOCKING COLLAR, (torque to 300-400 lb-ft)	
18	8036168	1	SQUARE RING	
19	8526011	AR	LOCTITE® 271™; (apply to item 4)	
118	3423227	1	CYLINDER PIN	
123	8303782	1	HEX HD CAPSCREW, 1/2-13X4, GR5	
133	8305644	1	LOCKNUT, 1/2-13	
139	8520003	1	LUBE FITTING, 90 DEGREES	
K1	8035386	1	SEAL KIT, (includes items 5, 6, 9, 10, 12, 13, 15 & 16)	
N1	Note	Ref	QUANTITIES SHOWN ARE FOR ONE CYLINDER ONLY.	



Figure 9-3 Attachment Tilt Cylinder



PH4021

8042 S/N 13198 thru 19791
 10042 S/N 13198 thru 19788
 10054 S/N 13198 thru 19745

HYDRAULIC COMPONENTS



Figure 9-3 Attachment Tilt Cylinder

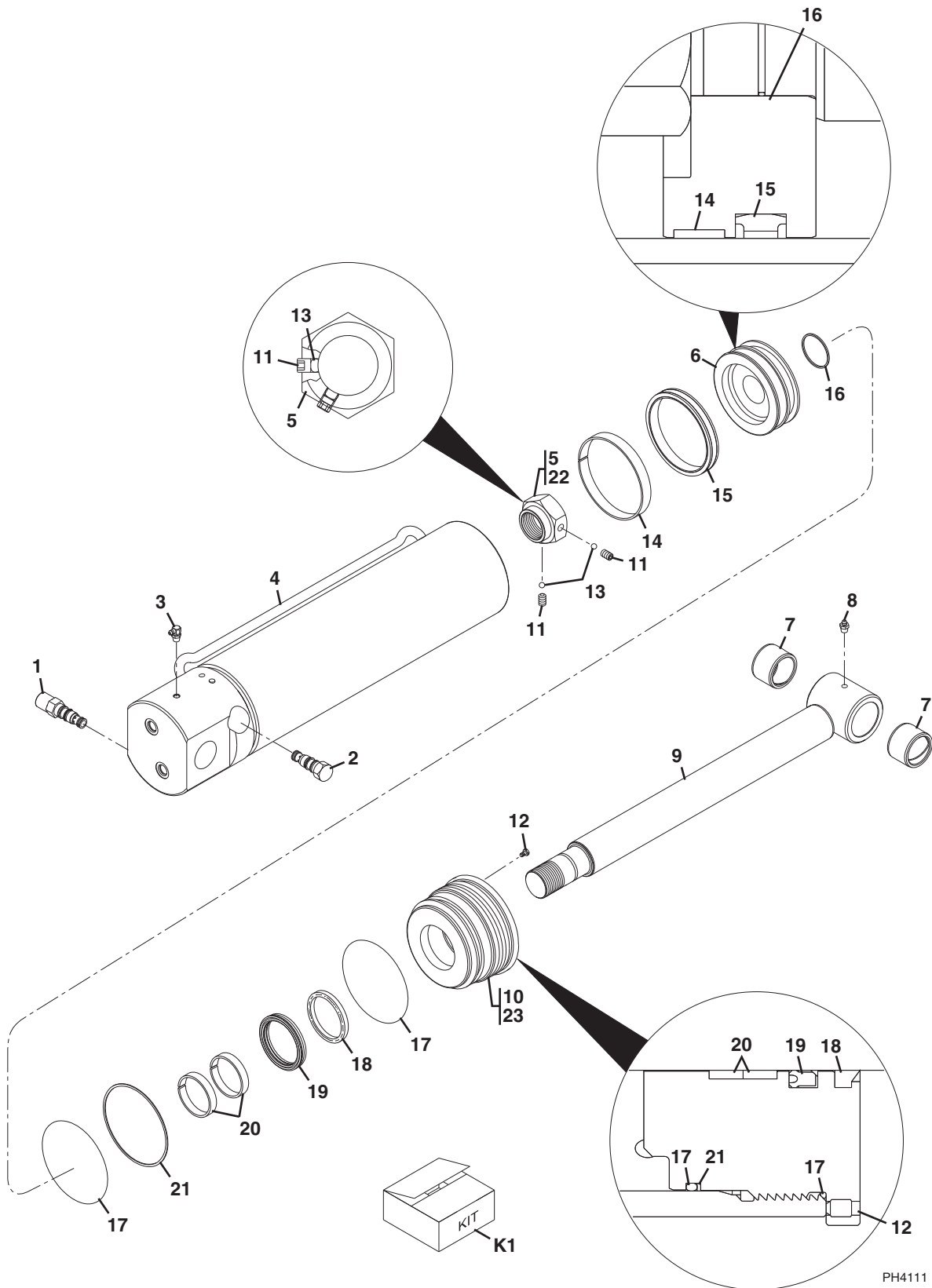
Item	Part Number	Qty.	Description	Rev.
	2716618	1	ATTACHMENT TILT CYLINDER, (includes items 1 thru 20)	H
1	7089722	2	BEARING	
2	NSS	1	TUBE WELDMENT	
3	8036147	1	PISTON	
4	8036146	1	GLAND	
5	8036145	1	ROD WELDMENT	
6	8035308	1	LOCKNUT, 2-12, (Loctite® & torque to 1850-2000 lb-ft)	
7	8520013	1	LUBE FITTING, STRAIGHT	
8	8520021	1	LUBE FITTING, 90 DEGREES	
9	8035321	1	COUNTERBALANCE VALVE, 4000 PSI, (torque to 30-35 lb-ft)	
	8035327	1	SEAL KIT	
10	8036750	1	PO CHECK VALVE, (torque to 30-35 lb-ft)	
	2900770	1	SEAL KIT	
11	Use Kit K1	1	O-RING	
12	Use Kit K1	1	O-RING	
13	Use Kit K1	1	O-RING	
14	Use Kit K1	1	BACK-UP RING	
15	Use Kit K1	1	DEEP Z-SEAL	
16	Use Kit K1	1	CAPPED T-SEAL	
17	Use Kit K1	1	WIPER SEAL	
18	Use Kit K1	2	PRECISION WEARBAND	
19	Use Kit K1	2	PRECISION WEARBAND	
20	Use Kit K1	2	LOCKING INSERT	
21		AR	LOCTITE® 271™, (apply to item 6)	
K1	8035780	1	SEAL KIT, (includes items 11 thru 20)	



HYDRAULIC COMPONENTS

8042 S/N 19792 thru 19987 & 0160002332 thru 0160004653
10042 S/N 19789 thru 19987 & 0160002332 thru 0160004558
10054 S/N 19746 thru 19987 & 0160002332 thru 0160006099

Figure 9-3 Attachment Tilt Cylinder



PH4111



Figure 9-3 Attachment Tilt Cylinder

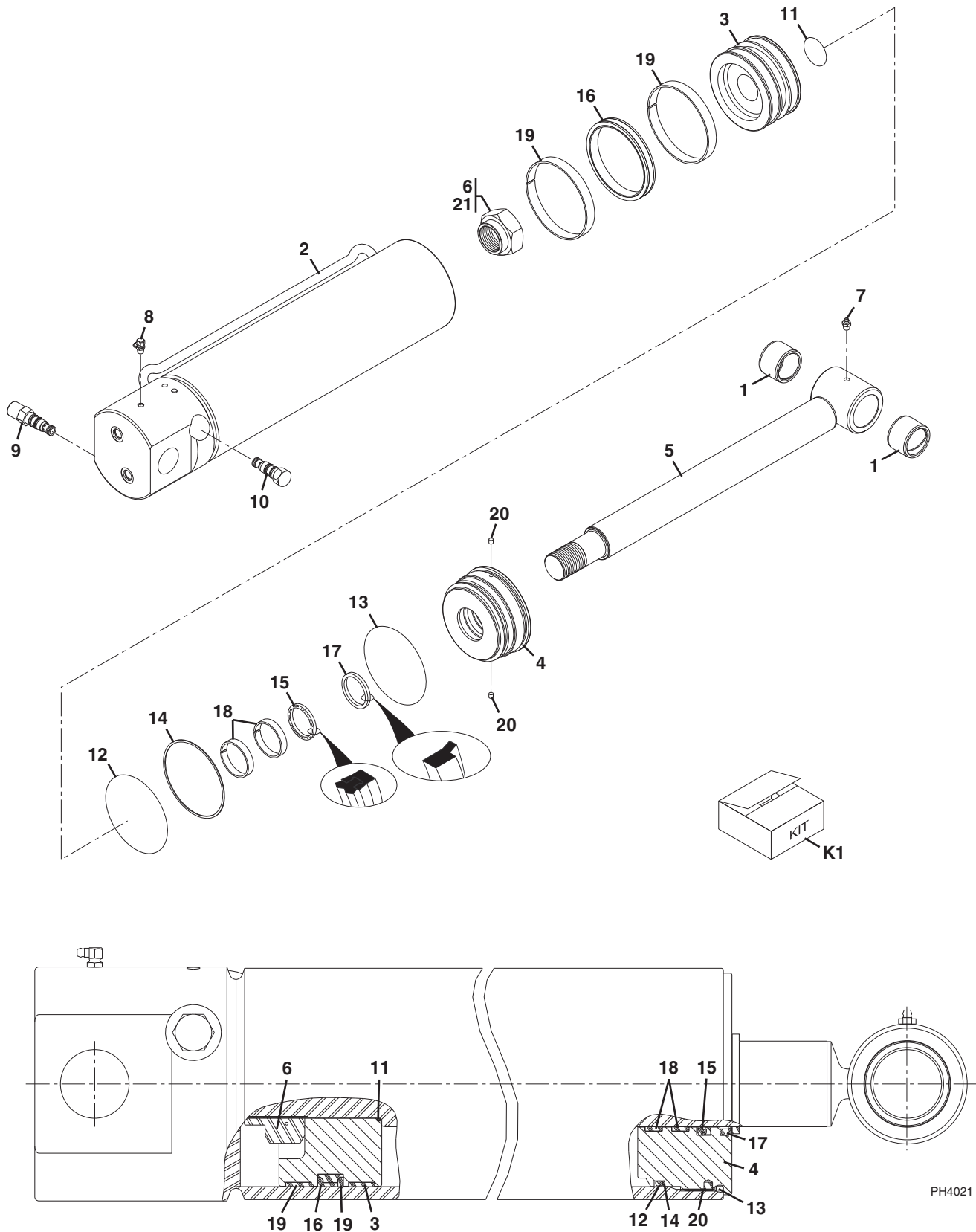
Item	Part Number	Qty.	Description	Rev.
	2717203	1	ATTACHMENT TILT CYLINDER, (includes items 1 thru 21)	
1	8035321	1	COUNTERBALANCE VALVE, 4000 PSI, (torque 30-35 lb-ft)	
	8035327	1	SEAL KIT	
2	8036750	1	CHECK VALVE, 4000 ± 50 PSI, (torque 30-35 lb-ft)	
	2900770	1	SEAL KIT	
3	8036824	1	LUBE FITTING, 90 DEGREES	
4	NSS	1	TUBE WELDMENT	
5	8036536	1	SPECIAL NUT, 1-3/4-12, (Loctite® & torque to 1735-1885 lb-ft)	
6	8036808	1	PISTON	
7	8036829	2	BEARING	
8	8036823	1	LUBE FITTING, STRAIGHT	
9	8036809	1	ROD WELDMENT	
10	8036810	1	HEAD GLAND, (Loctite® & torque to 250-350 lb-ft)	
11	8036537	2	SET SCREW, 3/8-16X3/8	
12	8036811	1	SET SCREW, 1/4-20X3/8	
13	8036538	2	NYLON BALL	
14	Use Kit K1	1	PRECISION WEARBAND	
15	Use Kit K1	1	CAPPED T-SEAL	
16	Use Kit K1	1	O-RING	
17	Use Kit K1	2	O-RING	
18	Use Kit K1	1	WIPER RING	
19	Use Kit K1	1	Z-SEAL	
20	Use Kit K1	2	PRECISION WEARBAND	
21	Use Kit K1	1	BACK-UP RING	
22	8526011	AR	LOCTITE® 271™, (apply to item 5)	
23	8526007	AR	LOCTITE® 242™, (apply to item 10)	
K1	8036786	1	SEAL KIT, (includes items 14 thru 21)	



HYDRAULIC COMPONENTS

8042 S/N 0160004670 & After
10042 S/N 0160004673 & After
10054 S/N 0160006120 & After

Figure 9-3 Attachment Tilt Cylinder



PH4021

8042 S/N 0160004670 & After
 10042 S/N 0160004673 & After
 10054 S/N 0160006120 & After

HYDRAULIC COMPONENTS



Figure 9-3 Attachment Tilt Cylinder

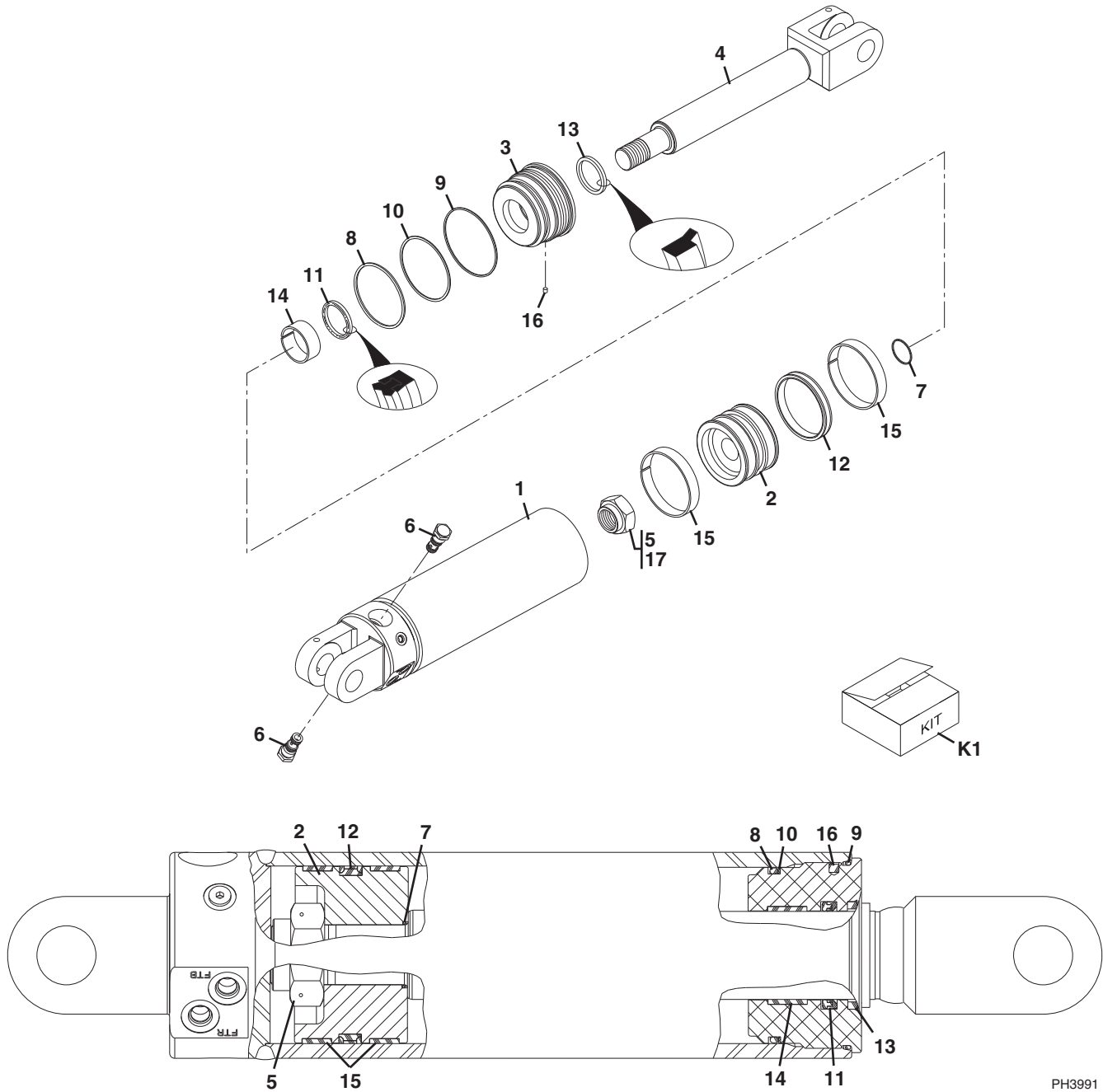
Item	Part Number	Qty.	Description	Rev.
	2716618	1	ATTACHMENT TILT CYLINDER, (includes items 1 thru 20)	I
1	7089722	2	BEARING	
2	8036148	1	TUBE WELDMENT	
3	8036147	1	PISTON	
4	8036146	1	GLAND, (torque to 500-600 lb-ft)	
5	8036145	1	ROD WELDMENT	
6	8035308	1	LOCKNUT, 2-12, (Loctite® & torque to 1850-2000 lb-ft)	
7	8520013	1	LUBE FITTING, STRAIGHT	
8	8520021	1	LUBE FITTING, 90 DEGREES	
9	8035321	1	COUNTERBALANCE VALVE, 4000 PSI, (torque to 30-35 lb-ft)	
	8035327	1	SEAL KIT	
10	8036750	1	PO CHECK VALVE, (torque to 30-35 lb-ft)	
	2900770	1	SEAL KIT	
11	Use Kit K1	1	O-RING	
12	Use Kit K1	1	O-RING	
13	Use Kit K1	1	O-RING	
14	Use Kit K1	1	BACK-UP RING	
15	Use Kit K1	1	DEEP Z-SEAL	
16	Use Kit K1	1	CAPPED T-SEAL	
17	Use Kit K1	1	WIPER SEAL	
18	Use Kit K1	2	PRECISION WEARBAND	
19	Use Kit K1	2	PRECISION WEARBAND	
20	Use Kit K1	2	LOCKING INSERT	
21		AR	LOCTITE® 271™, (apply to item 6)	
K1	8035780	1	SEAL KIT, (includes items 11 thru 20)	



HYDRAULIC COMPONENTS

8042 S/N 13198 thru 19987 & 0160002332 thru 0160004653
10042 S/N 13198 thru 19987 & 0160002332 thru 0160004558
10054 S/N 13198 thru 19987 & 0160002332 thru 0160004654

Figure 9-4 Frame Sway Cylinder



PH3991



Figure 9-4 Frame Sway Cylinder

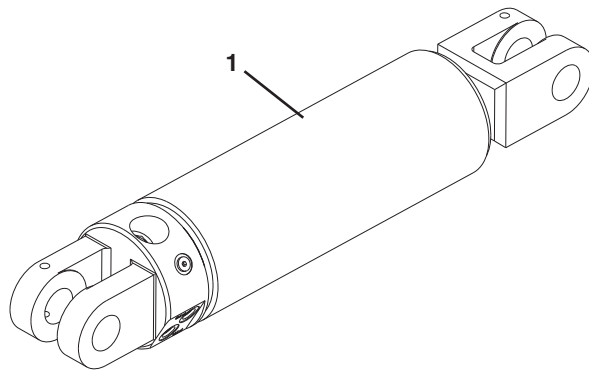
Item	Part Number	Qty.	Description	Rev.
	2716563	1	FRAME SWAY CYLINDER, (includes items 1 thru 16)	C
1	NSS	1	TUBE WELDMENT	
2	8035323	1	PISTON	
3	8035324	1	HEAD GLAND, (torque to 300-400 lb-ft)	
4	8035758	1	ROD WELDMENT	
5	8035322	1	HEX LOCKNUT, 1.5-12, (Loctite® & torque to 1100-1250 lb-ft)	
6	8035757	2	PO CHECK VALVE, SERIES 10, (torque to 35-40 lb-ft)	
	8035327	1	SEAL KIT	
7	Use Kit K1	1	O-RING	
8	Use Kit K1	1	O-RING	
9	Use Kit K1	1	O-RING	
10	Use Kit K1	1	BACK-UP RING	
11	Use Kit K1	1	DEEP Z-SEAL	
12	Use Kit K1	1	CAPPED T-SEAL	
13	Use Kit K1	1	SEAL WIPER	
14	Use Kit K1	1	PRECISION WEARBAND	
15	Use Kit K1	2	PRECISION WEARBAND	
16	Use Kit K1	1	LOCKING INSERT	
17	8526011	AR	LOCTITE® 271™	
K1	8035326	1	SEAL KIT, (includes items 7 thru 16)	



HYDRAULIC COMPONENTS

8042 S/N 0160004670 thru 0160005649
10042 S/N 0160004673 thru 0160005333
10054 S/N 0160004673 thru 0160005650

Figure 9-4 Frame Sway Cylinder



8042 S/N 0160004670 thru 0160005649
10042 S/N 0160004673 thru 0160005333
10054 S/N 0160004673 thru 0160005650

HYDRAULIC COMPONENTS

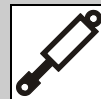


Figure 9-4 Frame Sway Cylinder

Item	Part Number	Qty.	Description	Rev.
1	2717216	Ref	FRAME SWAY CYLINDER, (no service parts available, use 2716563 for replacement)	B

8042 S/N 0160005695 & After
 10042 S/N 0160005669 & After
 10054 S/N 0160005697 & After

HYDRAULIC COMPONENTS



Figure 9-4 Frame Sway Cylinder

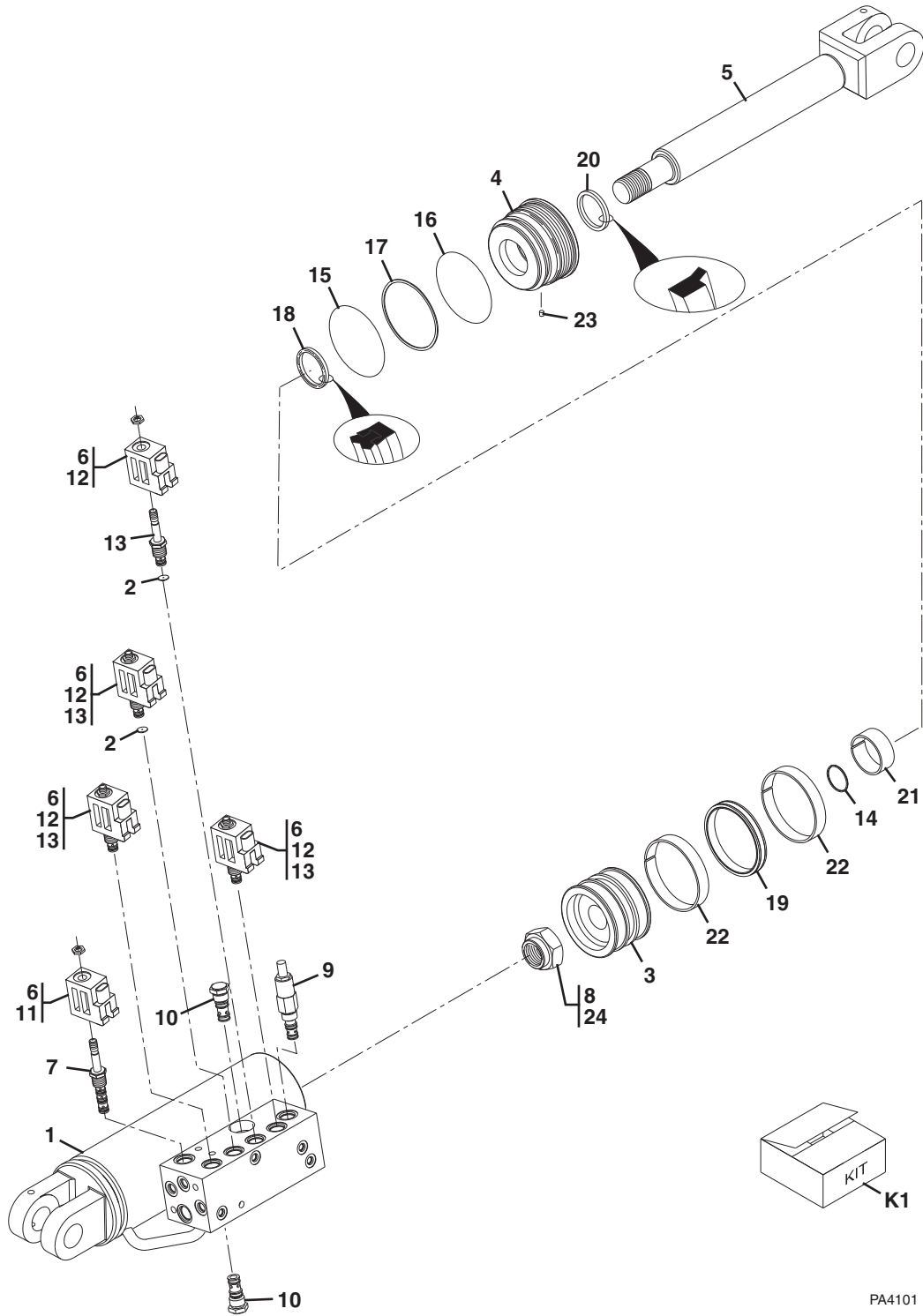
Item	Part Number	Qty.	Description	Rev.
	2716563	1	FRAME SWAY CYLINDER, (includes items 1 thru 16 & item 18)	C
1	NSS	1	TUBE WELDMENT	
2	8035323	1	PISTON	
3	8035324	1	HEAD GLAND, (torque to 300-400 lb-ft)	
4	8035758	1	ROD WELDMENT	
5	8035322	1	HEX LOCKNUT, 1.5-12, (Loctite® & torque to 1100-1250 lb-ft)	
6	8035757	2	PO CHECK VALVE, SERIES 10, (torque to 35-40 lb-ft)	
	8035327	1	SEAL KIT	
7	Use Kit K1	1	O-RING	
8	Use Kit K1	1	O-RING	
9	Use Kit K1	1	O-RING	
10	Use Kit K1	1	BACK-UP RING	
11	Use Kit K1	1	DEEP Z-SEAL	
12	Use Kit K1	1	CAPPED T-SEAL	
13	Use Kit K1	1	SEAL WIPER	
14	Use Kit K1	1	PRECISION WEARBAND	
15	Use Kit K1	2	PRECISION WEARBAND	
16	Use Kit K1	1	LOCKING INSERT	
17	8526011	AR	LOCTITE® 271™	
18	70021564	1	SQUARE RING	
K1	8035326	1	SEAL KIT, (includes items 7 thru 16)	



HYDRAULIC COMPONENTS

8042 S/N 13198 thru 19145
10042 S/N 13198 thru 19241
10054 S/N 13198 thru 19113

Figure 9-5 Stabil-Trak Cylinder



8042 S/N 13198 thru 19145
 10042 S/N 13198 thru 19241
 10054 S/N 13198 thru 19113

HYDRAULIC COMPONENTS



Figure 9-5 Stabil-Trak Cylinder

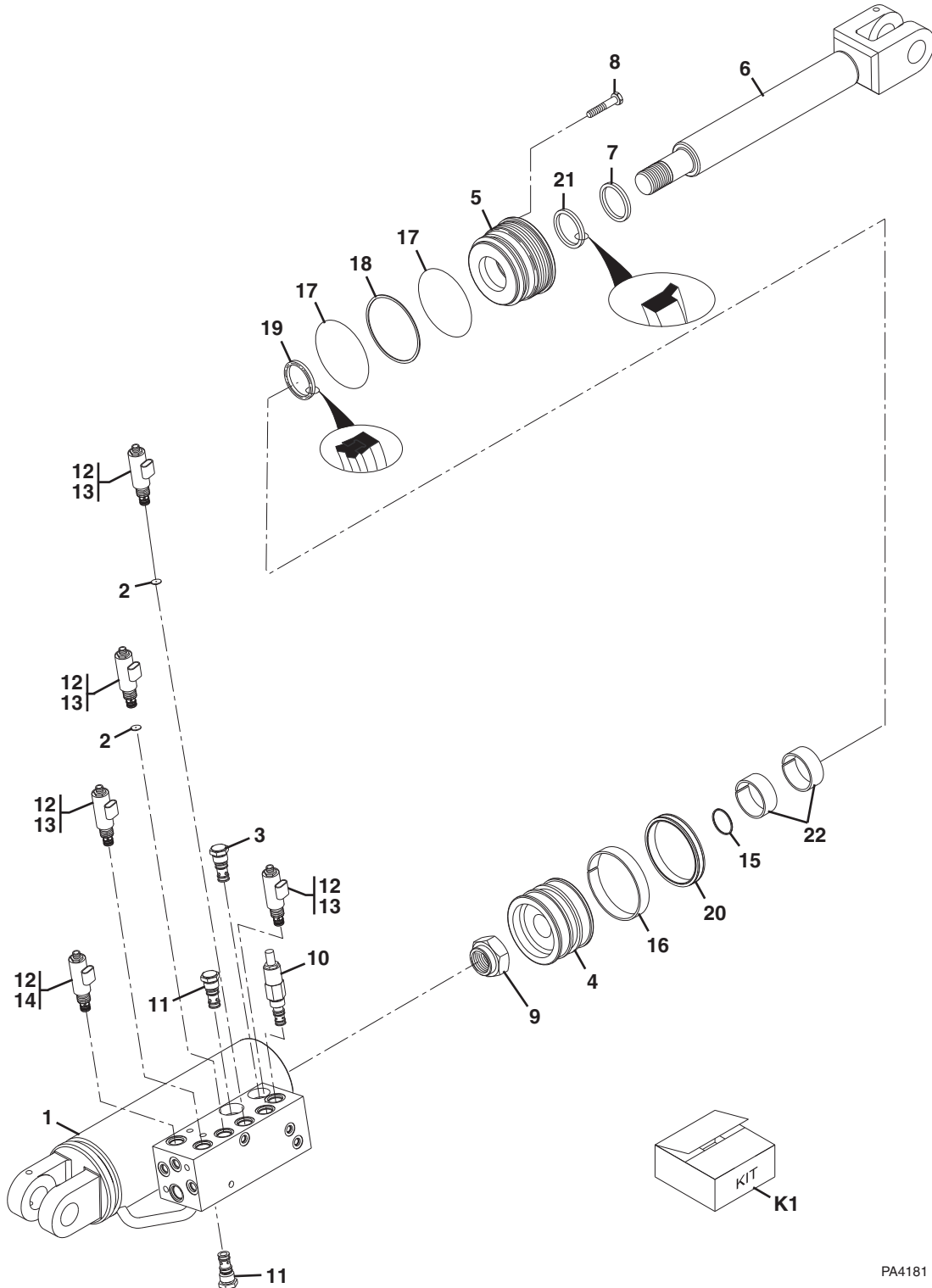
Item	Part Number	Qty.	Description	Rev.
	2716564	1	STABIL-TRAK CYLINDER, (includes items 1 thru 23)	
1	NSS	1	TUBE WELDMENT	
2	8035781	2	CONICAL ORIFICE DISK, 0.06 DIA	
3	8035323	1	PISTON, (torque to 300-400 lb-ft)	
4	8035324	1	HEAD GLAND	
5	8035783	1	ROD WELDMENT	
6	8036288	5	SOLENOID COIL	
7	8036290	1	SOLENOID VALVE CARTRIDGE	
8	8035322	1	LOCKNUT, 1.5-12, (Loctite® & torque to 1100-1250 lb-ft)	
9	8035282	1	PRESSURE REDUCING VALVE, (100), (torque to 35-40 lb-ft)	
	8032994	1	SEAL KIT	
10	8035281	2	PO CHECK VALVE, SERIES 10, (torque to 35-40 lb-ft)	
	8036192	1	SEAL KIT	
11	8036020	1	SOLENOID VALVE, 4 WAY, 12V, (includes items 6 & 7), (includes nut), (torque to 25-30 lb-ft)	
	8036195	1	SEAL KIT	
12	8036019	4	SOLENOID VALVE, 2 WAY, 12V, (includes items 6 & 13), (includes nut), (torque to 25-30 lb-ft)	
	8034037	1	SEAL KIT	
13	8036289	4	SOLENOID VALVE CARTRIDGE	
14	Use Kit K1	1	O-RING	
15	Use Kit K1	1	O-RING	
16	Use Kit K1	1	O-RING	
17	Use Kit K1	1	BACK-UP RING	
18	Use Kit K1	1	DEEP Z-SEAL	
19	Use Kit K1	1	CAPPED T-SEAL	
20	Use Kit K1	1	WIPER SEAL	
21	Use Kit K1	1	PRECISION WEARBAND	
22	Use Kit K1	2	PRECISION WEARBAND	
23	Use Kit K1	1	LOCKING INSERT	
24	8526011	1	LOCTITE® 271™, (apply to item 8)	
K1	8035326	1	SEAL KIT, (includes items 14 thru 23)	



HYDRAULIC COMPONENTS

8042 S/N 19146 thru 19987 & 0160002332 & After
10042 S/N 19242 thru 19987 & 0160002332 & After
10054 S/N 19114 thru 19987 & 0160002332 & After

Figure 9-5 Stabil-Trak Cylinder



PA4181



Figure 9-5 Stabil-Trak Cylinder

Item	Part Number	Qty.	Description	Rev.
	2717198	1	STABIL-TRAK CYLINDER, (includes all items)	D
1	NSS	1	TUBE WELDMENT	
2	8035781	2	CONICAL ORIFICE DISK, 0.06 DIA	
3	8036582	1	CHECK VALVE, (torque to 20-25 lb-ft)	
	7017496	1	SEAL KIT	
4	8036826	1	PISTON	
5	8036828	1	GUIDE, (torque to 300-350 lb-ft)	
6	8036827	1	ROD WELDMENT	
7	7029153	1	O-RING	
8	8036811	1	HEX SOCKET SET SCREW, 1/4-20X3/8, (torque to 3-4 lb-ft)	
9	8036825	1	LOCKNUT, 1-1/2-12, (torque to 1175-1400 lb-ft)	
10	8035282	1	PRESSURE REDUCING VALVE, (torque to 35-40 lb-ft)	
	8032994	1	SEAL KIT	
11	8035281	2	PO CHECK VALVE, SERIES 10, (torque to 35-40 lb-ft)	
	8036192	2	SEAL KIT	
12	7029246	5	SOLENOID COIL, (torque to 25-30 lb-ft)	
13	8036581	4	SOLENOID VALVE, 2 WAY, 12V	
	7017496	4	SEAL KIT	
14	8036580	1	SOLENOID VALVE, 4 WAY, 12V	
	7012903	1	SEAL KIT	
15	Use Kit K1	1	O-RING	
16	Use Kit K1	1	WEAR RING	
17	Use Kit K1	2	O-RING	
18	Use Kit K1	1	BACK-UP RING	
19	Use Kit K1	1	DEEP Z-SEAL	
20	Use Kit K1	1	CAPPED T-SEAL	
21	Use Kit K1	1	WIPER RING	
22	Use Kit K1	2	WEAR RING	
K1	8036747	1	SEAL KIT, (includes items 15 thru 22)	



HYDRAULIC COMPONENTS

8042 S/N 13198 thru 19987 & 0160002332 thru 0160003866
10042 S/N 13198 thru 19987 & 0160002332 thru 0160003858
10054 S/N 13198 thru 19987 & 0160002332 thru 0160003864

Figure 9-6 Slave Cylinder

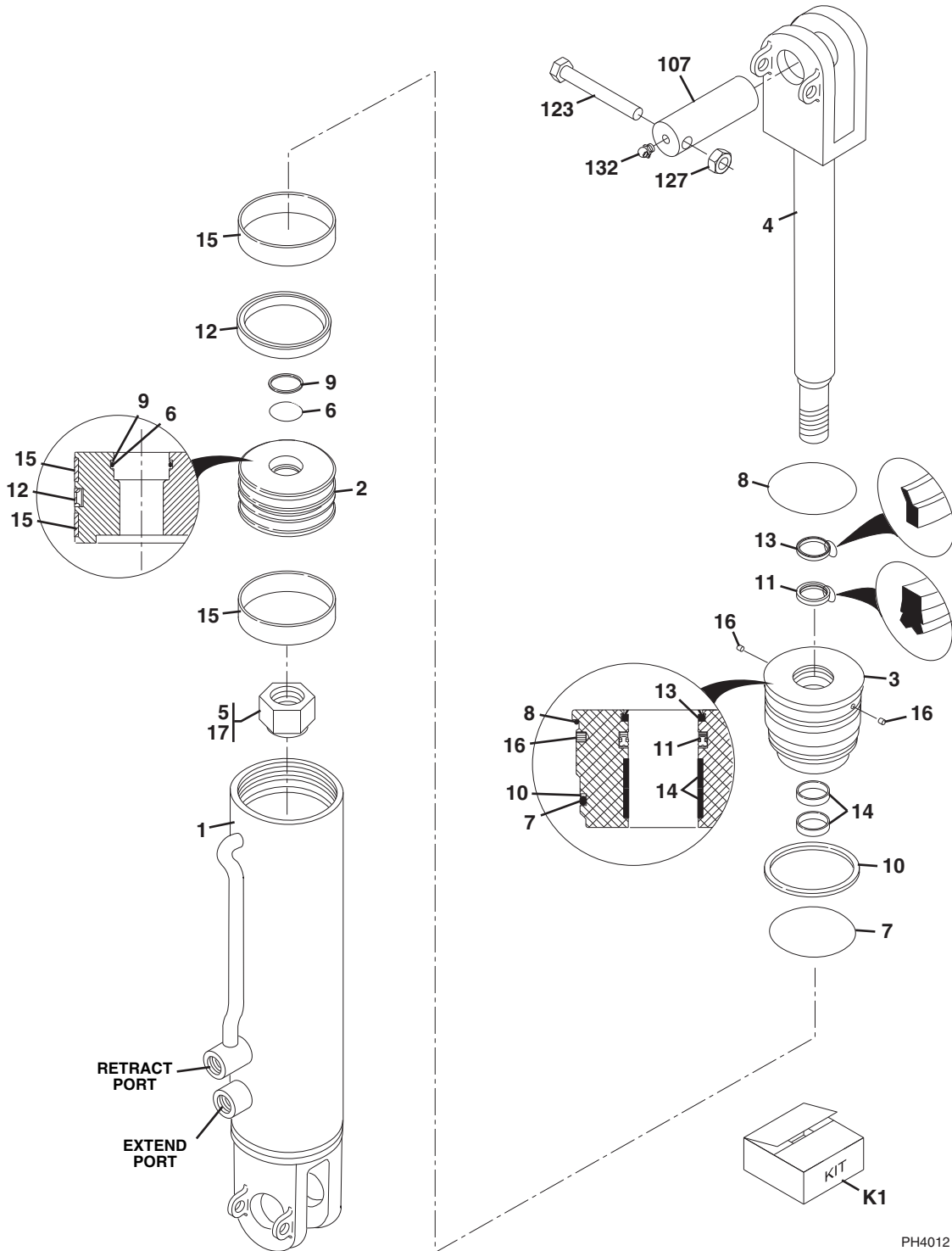




Figure 9-6 Slave Cylinder

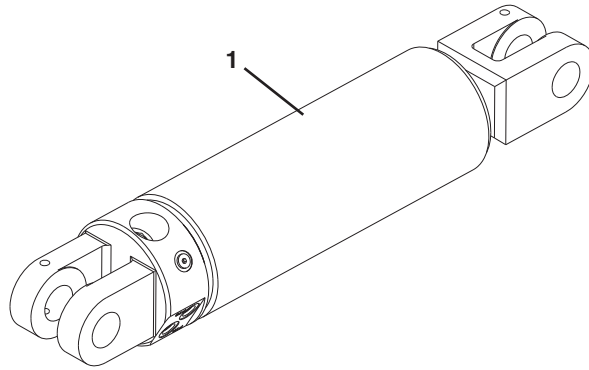
Item	Part Number	Qty.	Description	Rev.
	2714973	2	SLAVE CYLINDER, (includes items 1 thru 16)	D, Z
1	8036001	1	CYLINDER TUBE	
2	8035613	1	PISTON	
3	8035612	1	HEAD GLAND, (torque to 300-400 lb-ft)	
4	8035611	1	ROD	
5	8035547	1	LOCKNUT, 1.375-12, (Loctite® & torque to 900-1050 lb-ft)	
6	Use Kit K1	1	O-RING	
7	Use Kit K1	1	O-RING	
8	Use Kit K1	1	O-RING	
9	Use Kit K1	1	BACK-UP RING	
10	Use Kit K1	1	BACK-UP RING	
11	Use Kit K1	1	DEEP Z-SEAL	
12	Use Kit K1	1	CAPPED T-SEAL	
13	Use Kit K1	1	SEAL WIPER	
14	Use Kit K1	2	WEARBAND	
15	Use Kit K1	2	WEARBAND	
16	Use Kit K1	2	LOCKING INSERT	
17	8526011	AR	LOCTITE® 271™, (apply to item 5)	
107	3423227	2	CYLINDER PIN	
123	8303782	2	HEX HD CAPSCREW, 1/2-13X4, GR5	
127	8305644	2	HEX LOCKNUT, 1/2-13	
132	8520003	2	LUBE FITTING, 90 DEGREES	
K1	8034695	1	SEAL KIT, (includes items 6 thru 16)	
N1	Note	Ref	QUANTITIES SHOWN ARE FOR ONE CYLINDER ONLY.	



HYDRAULIC COMPONENTS

8042 S/N 0160003866 thru 0160004653
10042 S/N 0160003899 thru 0160004558
10054 S/N 0160003587 thru 0160004667

Figure 9-6 Slave Cylinder



8042 S/N 0160003866 thru 0160004653
10042 S/N 0160003899 thru 0160004558
10054 S/N 0160003587 thru 0160004667

HYDRAULIC COMPONENTS

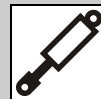


Figure 9-6 Slave Cylinder

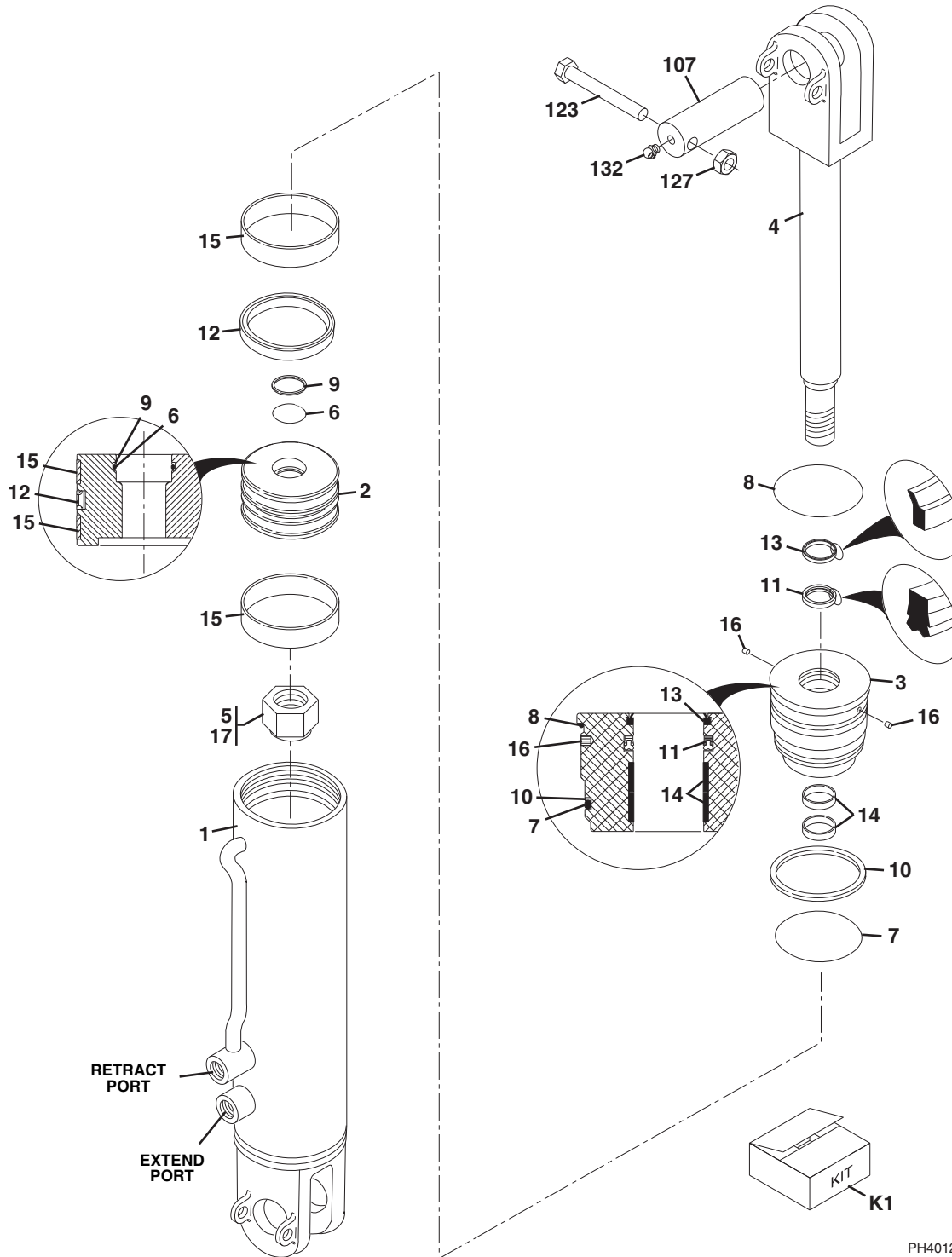
Item	Part Number	Qty.	Description	Rev.
1	2717254	Ref	SLAVE CYLINDER, (not available to order, use 2714973 for replacement)	B



HYDRAULIC COMPONENTS

8042 S/N 0160004670 & After
10042 S/N 0160004673 & After
10054 S/N 0160004676 & After

Figure 9-6 Slave Cylinder



8042 S/N 0160004670 & After
 10042 S/N 0160004673 & After
 10054 S/N 0160004676 & After

HYDRAULIC COMPONENTS

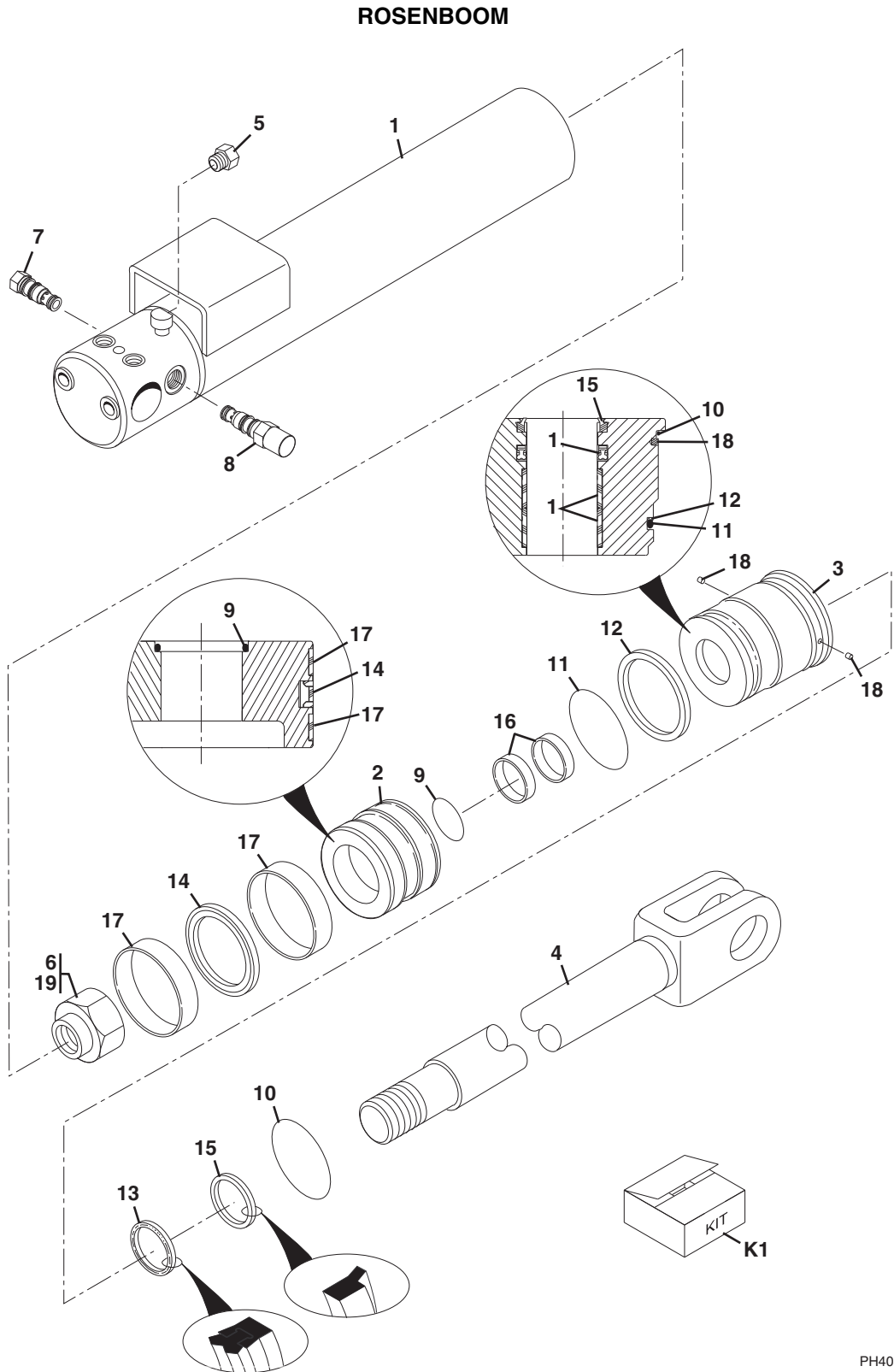


Figure 9-6 Slave Cylinder

Item	Part Number	Qty.	Description	Rev.
	2714973	2	SLAVE CYLINDER, (includes items 1 thru 16)	
1	8036001	1	CYLINDER TUBE	
2	8035613	1	PISTON	
3	8035612	1	HEAD GLAND, (torque to 300-400 lb-ft)	
4	8035611	1	ROD	
5	8035547	1	LOCKNUT, 1.375-12, (Loctite® & torque to 900-1050 lb-ft)	
6	Use Kit K1	1	O-RING	
7	Use Kit K1	1	O-RING	
8	Use Kit K1	1	O-RING	
9	Use Kit K1	1	BACK-UP RING	
10	Use Kit K1	1	BACK-UP RING	
11	Use Kit K1	1	DEEP Z-SEAL	
12	Use Kit K1	1	CAPPED T-SEAL	
13	Use Kit K1	1	SEAL WIPER	
14	Use Kit K1	2	WEARBAND	
15	Use Kit K1	2	WEARBAND	
16	Use Kit K1	2	LOCKING INSERT	
17	8526011	AR	LOCTITE® 271™, (apply to item 5)	
107	3423227	1	CYLINDER PIN	
123	8303782	1	HEX HD CAPSCREW, 1/2-13X4, GR5	
127	8305644	1	LOCKNUT, 1/2-13	
132	8520003	1	LUBE FITTING, 90 DEGREES	
K1	8034695	1	SEAL KIT, (includes items 6 thru 16)	
N1	Note	Ref	QUANTITIES SHOWN ARE FOR ONE CYLINDER ONLY.	



Figure 9-7 Outrigger Cylinder



PH4031



Figure 9-7 Outrigger Cylinder

Item	Part Number	Qty.	Description	Rev.
	2716163	1	OUTRIGGER CYLINDER, (includes items 1 thru 18)	
1	NSS	1	TUBE WELDMENT	
2	8035727	1	PISTON	
3	8035728	1	HEAD GLAND, (torque to 300-400 lb-ft)	
4	8035729	1	ROD WELDMENT	
5	8035730	1	HEX HD PLUG, #4, (torque to 25-38 lb-ft)	
6	8035322	1	LOCKNUT, 1.5-12, (Loctite® & torque to 1300-1500 lb-ft)	
7	8036750	1	PO CHECK VALVE, (torque to 30-35 lb-ft)	
	2900770	1	SEAL KIT	
8	8036732	1	COUNTERBALANCE VALVE, 1000 PSI, (torque to 30-35 lb-ft)	
	8035327	1	SEAL KIT	
9	Use Kit K1	1	O-RING	
10	Use Kit K1	1	O-RING	
11	Use Kit K1	1	O-RING	
12	Use Kit K1	1	BACK-UP RING	
13	Use Kit K1	1	DEEP Z-SEAL	
14	Use Kit K1	1	CAPPED T-SEAL	
15	Use Kit K1	1	SEAL WIPER	
16	Use Kit K1	2	PRECISION WEARBAND	
17	Use Kit K1	2	PRECISION WEARBAND	
18	Use Kit K1	2	LOCKING INSERT	
19	8526011	AR	LOCTITE® 271™; (apply to item 6)	
K1	8035519	1	SEAL KIT, (includes items 9 thru 18)	



Figure 9-7 Outrigger Cylinder

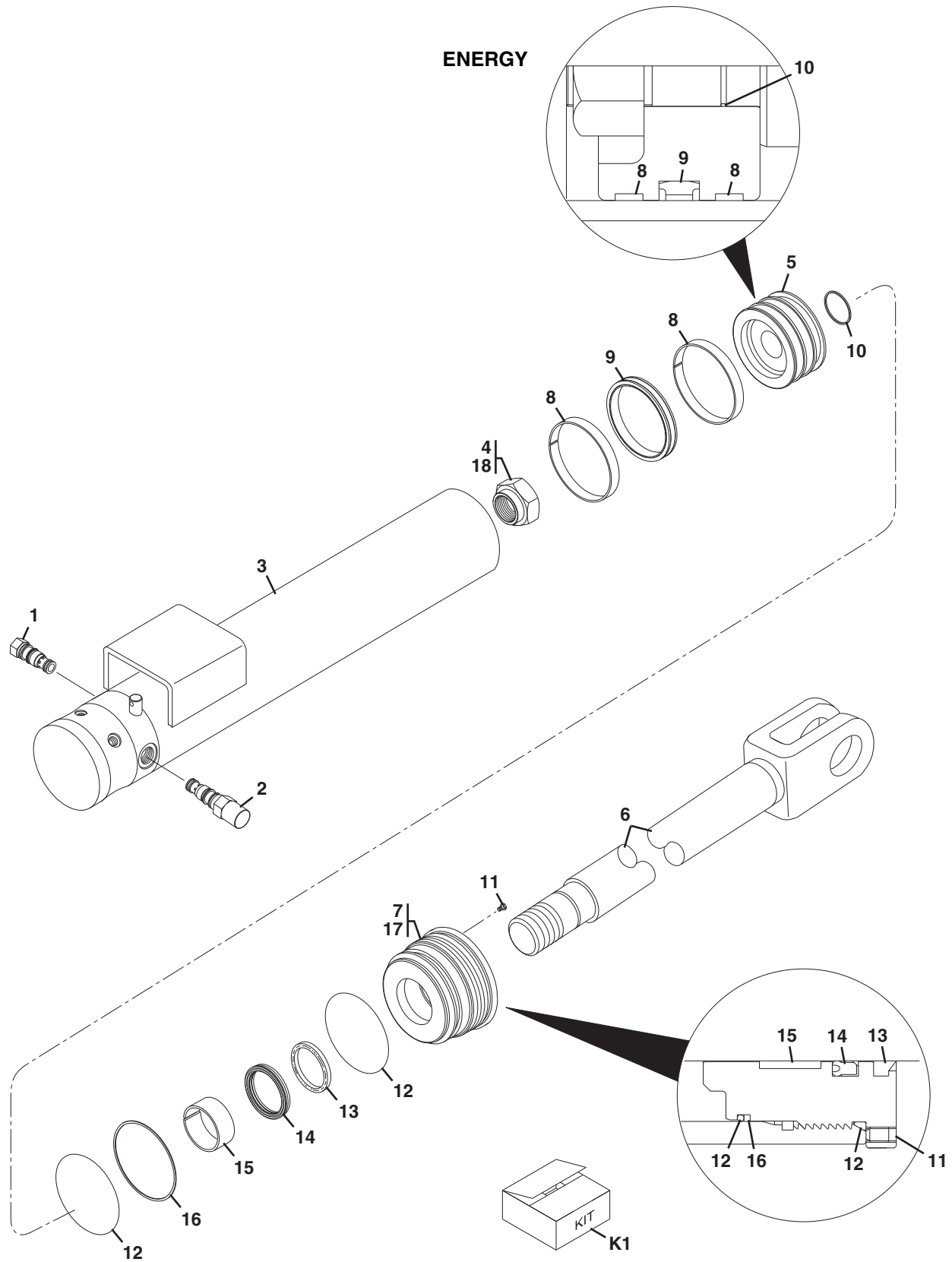




Figure 9-7 Outrigger Cylinder

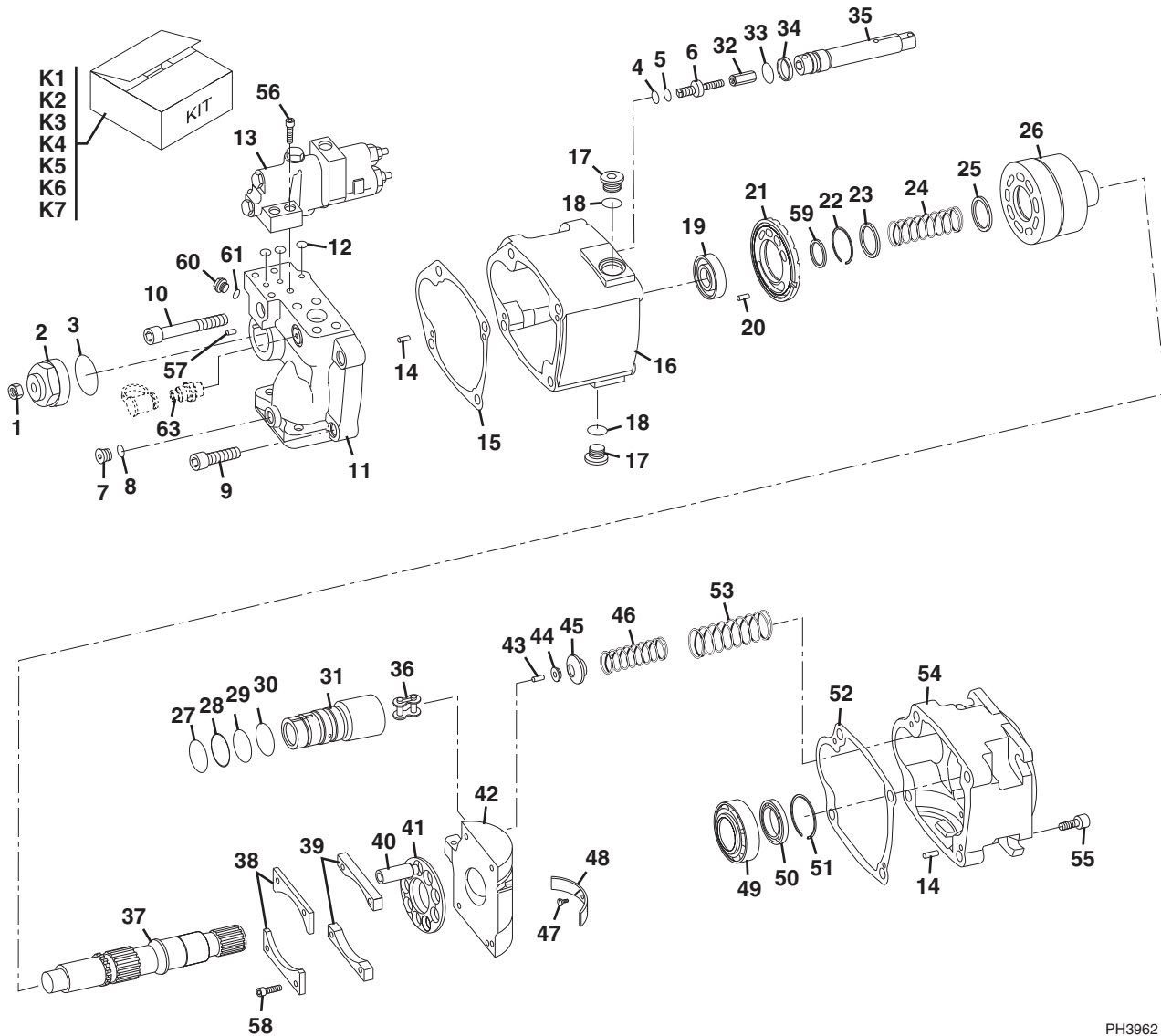
Item	Part Number	Qty.	Description	Rev.
	2717201	1	OUTRIGGER CYLINDER, (includes items 1 thru 16)	C
1	8036750	1	PO CHECK VALVE, (torque to 30-35 lb-ft)	
	2900770	1	SEAL KIT	
2	8036732	1	COUNTERBALANCE VALVE, 1000 PSI, (torque to 30-35 lb-ft)	
	8035327	1	SEAL KIT	
3	70020658	1	BARREL ASSY	
4	8036825	1	LOCKNUT, 1-1/2-12, GRC, (Loctite® & torque to 1650-1800 lb-ft)	
5	8036837	1	PISTON	
6	8036838	1	ROD WELDMENT	
7	8036839	1	HEAD GLAND, (Loctite® & torque to 250-350 lb-ft)	
8	Use Kit K1	2	PRECISION WEARBAND	
9	Use Kit K1	1	CAPPED T-SEAL	
10	Use Kit K1	1	O-RING	
11	8036811	1	SET SCREW, 1/4-20X3/8	
12	Use Kit K1	2	O-RING	
13	Use Kit K1	1	WIPER RING	
14	Use Kit K1	1	Z-SEAL	
15	Use Kit K1	1	PRECISION WEARBAND	
16	Use Kit K1	1	BACK-UP RING	
17	8526007	AR	LOCTITE® 242™; (apply to item 7)	
18	8526011	AR	LOCTITE® 271™; (apply to item 4)	
K1	8036784	1	SEAL KIT, (includes items 8, 9, 10 & 12 thru 16)	



HYDRAULIC COMPONENTS

Figure 9-8 Gear Pump

CHECK GEAR PUMP PART NUMBER PRIOR TO ORDERING REPLACEMENT PARTS.



PH3962



Figure 9-8 Gear Pump

Item	Part Number	Qty.	Description	Rev.
	8444228	1	GEAR PUMP, (RED), (if equipped), (includes all items)	
1	8035567	1	JAM NUT, (torque to 13.3-17.8 lb-ft)	
2	8035568	1	CAP, (s stop), (torque to 192.4-222 lb-ft)	
	8035569	1	CAP, (f stop), (torque to 192.4-222 lb-ft)	
3	Use Kit K2	1	O-RING	
4	Use Kit K2	1	BACK-UP RING	
5	Use Kit K2	1	O-RING	
6	8035570	1	ADJUSTMENT SCREW	
7	8035571	2	SAE GAGE PORT PLUG, (torque to 29-32 lb-ft)	
	8035572	2	ISO GAGE PORT PLUG, (torque to 29-32 lb-ft)	
8	Use Kit K2	2	O-RING	
9	8035573	3	SCREW, (torque to 76.2-94 lb-ft)	
10	8035574	1	SCREW, (torque to 76.2-94 lb-ft)	
11	8035575	1	VALVE BLOCK	
12	70021557	3	O-RING	
13	Use Kit K1	1	CONTROL SUB ASSY	
14	8035577	4	PIN	
15	Use Kit K2	1	GASKET	
16	8035578	1	HOUSING	
17	8035579	2	DRAIN PLUG, (torque to 55.5-61.4 lb-ft)	
18	8035580	2	O-RING	
19	Use Kit K5	1	BEARING	
20	8035581	1	PIN	
21	8035582	1	VALVE PLATE	
22	Use Kit K3	1	RETAINING RING	
23	Use Kit K3	1	SPRING GUIDE	
24	Use Kit K3	1	SPRING	
25	Use Kit K3	1	SPRING GUIDE	
26	Use Kit K3	1	CYLINDER BLOCK	
27	Use Kit K2	1	BACK-UP RING	
28	Use Kit K2	1	O-RING	
29	Use Kit K2	1	O-RING	
30	Use Kit K2	1	BACK-UP RING	
31	8035583	1	CONTROL SLEEVE	
32	8035584	1	HEX NUT	
33	Use Kit K2	1	O-RING	
34	Use Kit K2	1	GLIDE RING	
35	8035585	1	CONTROL PISTON	
36	8035586	1	CHAIN LINK	
37	8035587	1	SHAFT	
38	Use Kit K3	2	LIMITER PLATE	
39	Use Kit K3	2	SPACER	
40	Use Kit K3	9	PISTON & SHOES SUB ASSY	
41	Use Kit K3	1	SHOE CAGE	
42	Use Kit K4	1	YOKE	
43	Use Kit K4	1	PIN	
44	8035588	1	BUTTON	
45	Use Kit K4	1	SEAT	
46	8035589	1	SPRING	



HYDRAULIC COMPONENTS

Figure 9-8 Gear Pump (Continued)

Item	Part Number	Qty.	Description	Rev.
47	Use Kit K4	2	SCREW, (torque to 2.7-3.3 lb-ft)	
48	Use Kit K4	2	SADDLE BEARING	
49	Use Kit K5	1	BEARING	
50	Use Kit K6	1	SHAFT SEAL	
51	Use Kit K2 or K6	1	RETAINING RING	
52	Use Kit K2	1	GASKET	
53	8035590	1	SPRING	
54	8035591	1	FLANGE	
55	8035592	4	SCREW, (torque to 76.2-94 lb-ft)	
56	8035593	4	SCREW, (torque to 23-27.4 lb-ft)	
57	8035595	1	PIN	
58	8035596	4	SCREW, (torque to 9.6-11 lb-ft)	
59	Use Kit K7	1	SHAFT SPACER	
60	8035597	2	PLUG	
61	8035598	2	O-RING, (torque to 11.1-11.8 lb-ft)	
63	8430033	1	NIPPLE, MALE STRAIGHT	
K1	8036181	1	CONTROL KIT, (includes items 13 & 56)	
K2	8035561	1	SEAL KIT, (includes items 3, 4, 5, 8, 15, 27, 28, 29, 30, 33, 34, 51 & 52)	
K3	8035562	1	ROTATING GROUP KIT, (includes items 22 thru 26, 38 thru 41 & 58)	
K4	8035563	1	YOKE & SADDLE BEARING KIT, (includes items 42, 43, 45, 47 & 48)	
K5	8035564	1	SHAFT BEARING KIT, (includes items 19 & 49)	
K6	8035565	1	SHAFT SEAL KIT, (includes items 50 & 51)	
K7	8035566	1	SHAFT SPACER KIT, (includes item 59)	



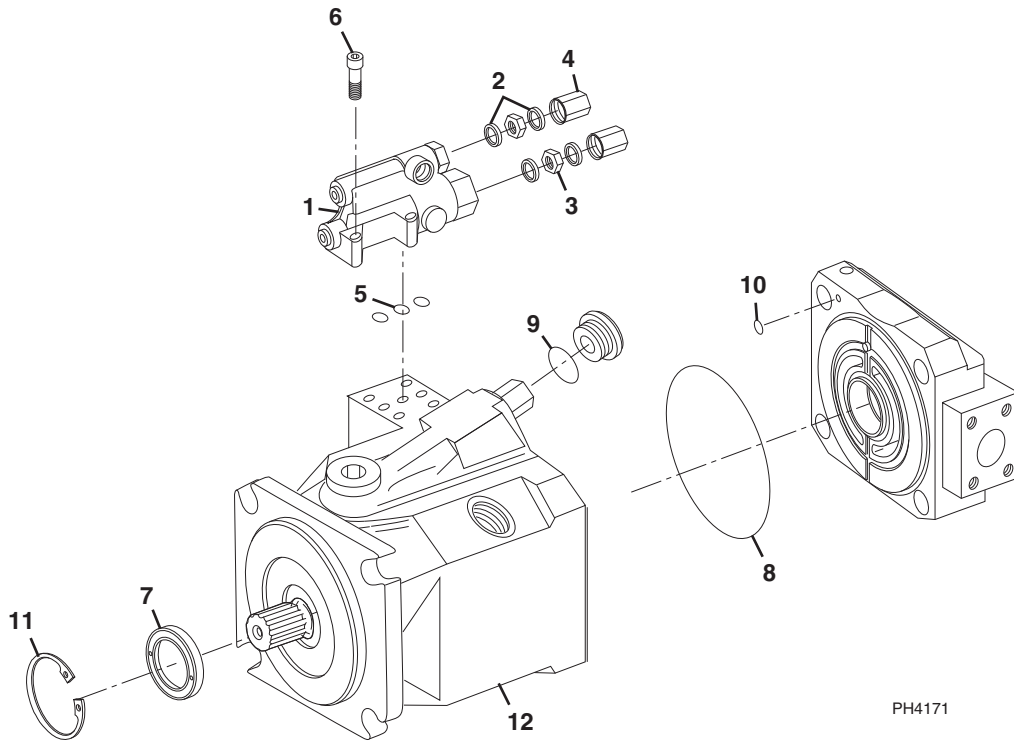
Figure 9-8 Gear Pump (Continued)

Item	Part Number	Qty.	Description	Rev.



Figure 9-8 Gear Pump

CHECK GEAR PUMP PART NUMBER PRIOR TO ORDERING REPLACEMENT PARTS.



PH4171



Figure 9-8 Gear Pump

Item	Part Number	Qty.	Description	Rev.
	8444230	1	GEAR PUMP, (BLACK), (if equipped), (includes all items)	
1	7024955	1	PILOT VALVE, (includes items 2 thru 6)	
2	7024956	4	SEAL RING	
3	7024957	2	LOCK NUT	
4	7024958	2	ACORN NUT	
5	7024922	3	O-RING	
6	7024954	4	SOCKET SCREW, M6X30-10.9	
7	7024947	1	SHAFT SEAL	
8	7024948	1	O-RING	
9	7024949	1	O-RING	
10	7024950	2	RING SEAL	
11	80334277	1	SAFETY RING	
12	NSS	1	HOUSING	



HYDRAULIC COMPONENTS

Figure 9-8 Gear Pump

CHECK GEAR PUMP PART NUMBER PRIOR TO ORDERING REPLACEMENT PARTS

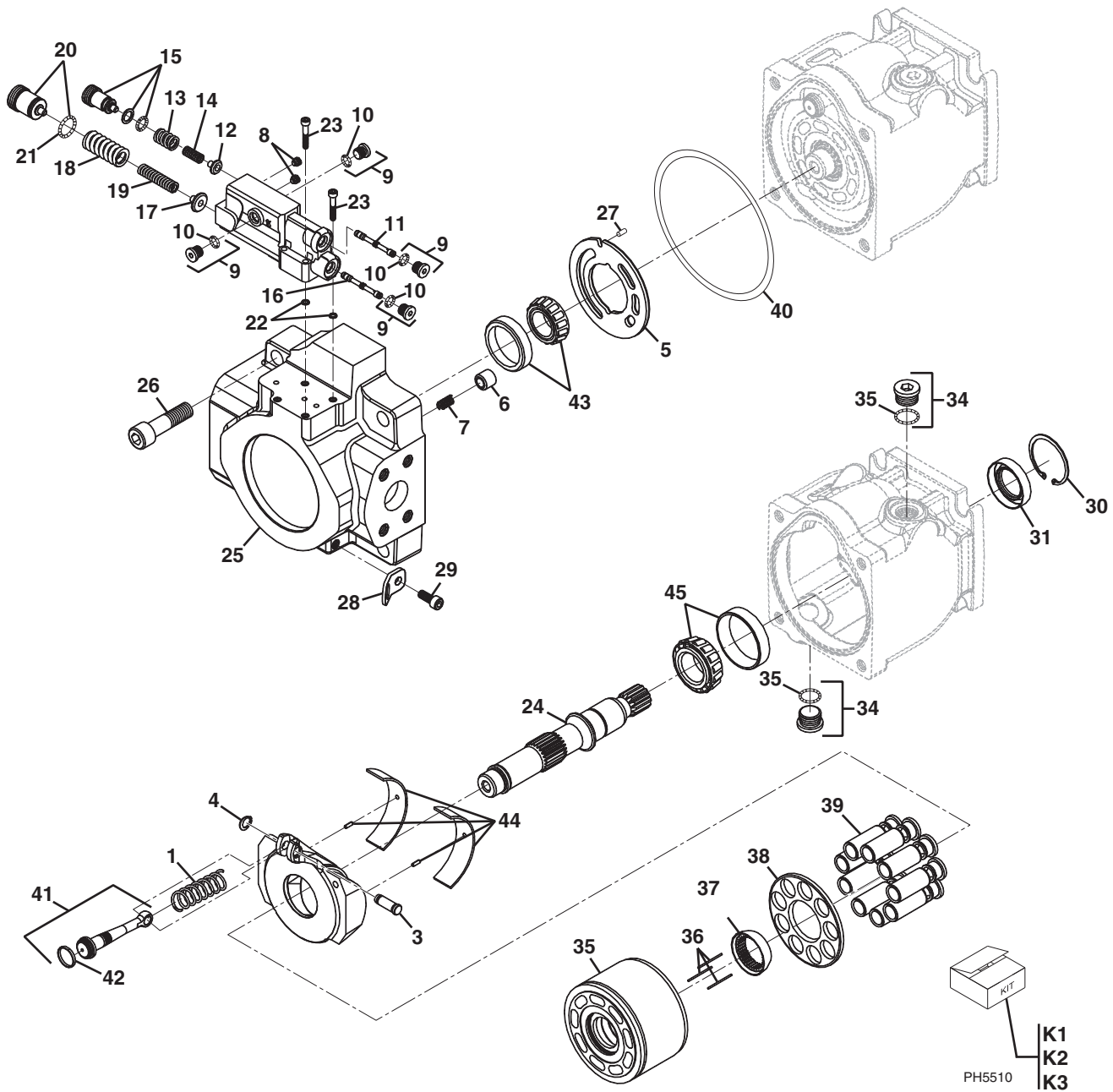




Figure 9-8 Gear Pump

Item	Part Number	Qty.	Description	Rev.
	1001135002	1	GEAR PUMP, (GREY), (if equipped), (includes all items)	A
1	70002580	1	BIAS SPRING	
2	70002581	1	SWASHPLATE	
3	70002582	1	RETAINER PIN	
4	70002583	1	RETAINING RING	
5	70002584	1	RH PLATE	
6	70001956	1	CHECK VALVE POPPET	
7	70001955	1	SPRING	
8	70023351	2	SET SCREW	
9	70002133	4	PLUG ASSY, (includes item 10)	
10	7007207	4	O-RING	
11	70023352	1	SPOOL	
12	70023353	1	LH SPRING GUIDE	
13	70023354	1	LEFT SIDE OUTER SPRING	
14	70023355	1	LEFT SIDE INNER SPRING	
15	70024039	1	LEFT SIDE ADJUSTING PLUG	
16	70023352	1	CONTROL SPOOL	
17	70023357	1	PC SPRING GUIDE	
18	70023358	1	PC OUTER SPRING	
19	70023359	1	PC INNER SPRING	
20	70024040	1	PC ADJUSTING SPRING, (includes item 21)	
21	NSS	1	O-RING	
22	70023362	4	SEAL RING	
23	70023363	4	SCREW	
24	70023364	1	SHAFT, (14 tooth)	
25	70024041	1	RADIAL END CAP	
26	70002588	4	SCREW	
27	7007446	1	SLOTTED PIN	
28	7022340	1	LIFTING BRACKET	
29	70002590	1	SCREW	
30	7023962	1	RETAINING RING	
31	70022287	1	LIP SEAL	
32	70022288	1	HOUSING	
33	70023996	1	CYLINDER BLOCK ASSY	
34	7023964	2	PLUG, (includes item 35)	
35	7007415	2	O-RING	
36	7021275	3	HOLD DOWN PIN	
37	70002592	1	SLIPPER RETAINER GUIDE	
38	70002593	1	SLIPPER RETAINER	
39	70023997	9	PISTON ASSY	
40	70002595	1	END CAP SEAL	
41	70023998	1	PISTON ASSY, (includes item 42)	
42	70023999	1	PISTON RING	
43	70002585	1	REAR BEARING KIT	
44	70002579	1	SWASHPLATE BEARING KIT	
45	70002578	1	FRONT BEARING KIT	
K1	70024000	1	CYLINDER BLOCK KIT, (includes items 33, 36 thru 39)	



HYDRAULIC COMPONENTS

Figure 9-8 Gear Pump (Continued)

Item	Part Number	Qty.	Description	Rev.
K2	70023350	1	CONTROL KIT, (includes items 8 thru 23)	
K3	70002599	1	SEAL KIT, (includes items 10, 15, 21, 22, 31, 35 & 40)	



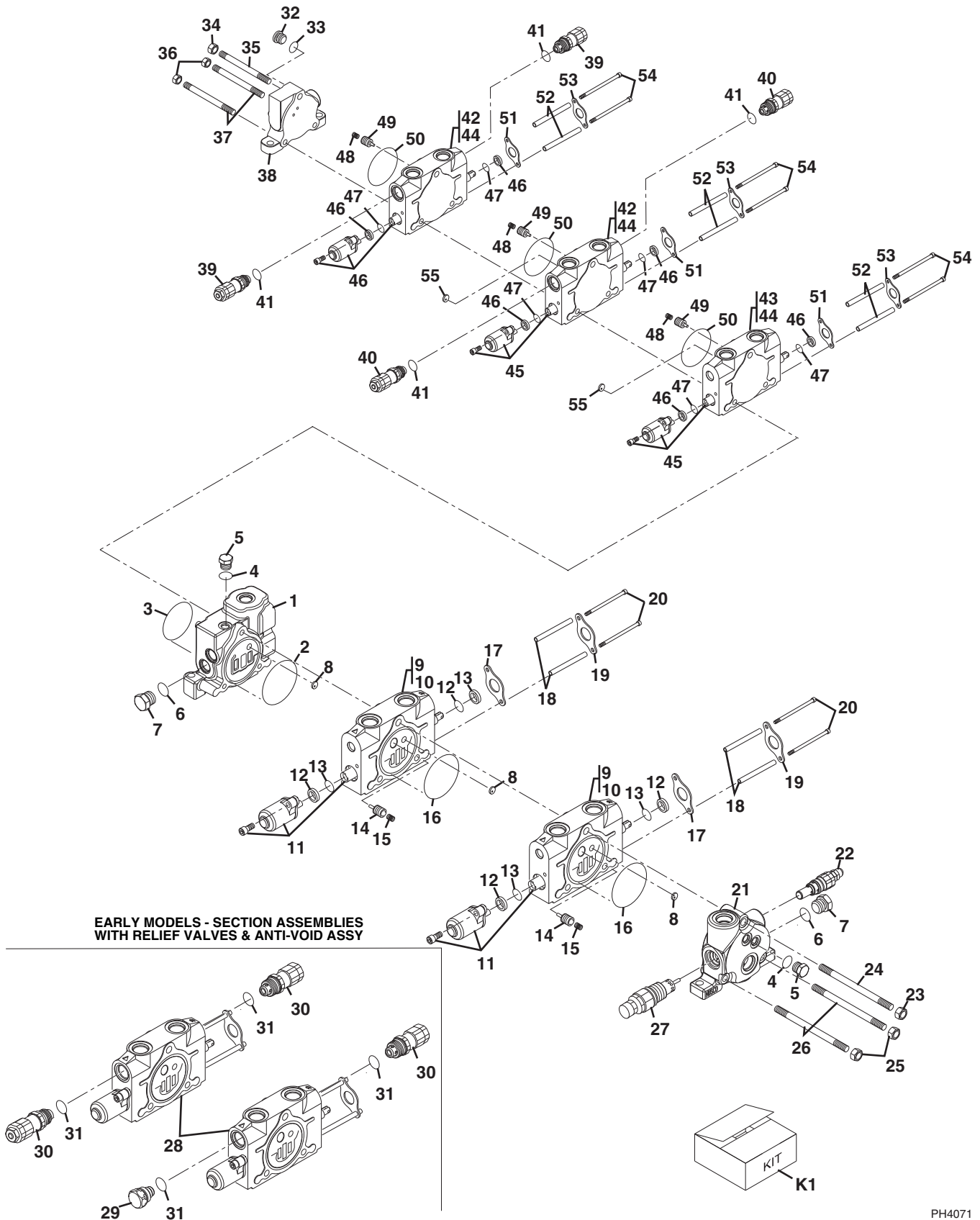
Figure 9-8 Gear Pump (Continued)

Item	Part Number	Qty.	Description	Rev.



HYDRAULIC COMPONENTS

Figure 9-9 Main Control Valve



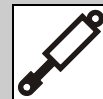


Figure 9-9 Main Control Valve

Item	Part Number	Qty.	Description	Rev.
	8902188	1	MAIN CONTROL VALVE, (includes items 1 thru 27 & 32 thru 55)	
1	8035849	1	MID-INLET SECTION ASSY (includes items 2 & 3)	
2	8034697	1	O-RING	
3	10837923	1	O-RING	
4	Use Kit K1	2	O-RING	
5	8035843	2	PLUG, (torque to 18 lb-ft)	
6	8036517	2	O-RING	
7	8035834	2	PLUG, (torque to 18 lb-ft)	
8	8035845	3	SHUTTLE	
9	8036179	2	BOOM EXTEND/RETRACT & LIFT/LOWER SECTION ASSY, (includes items 10 thru 17)	
10	NSS	2	SPOOL HOUSING	
11	NSS	2	SPOOL ASSY	
12	Use Kit K1	2	WIPER	
13	Use Kit K1	2	O-RING	
14	8035367	2	POPPET	
15	8035358	2	SPRING	
16	8034697	2	O-RING	
17	8036257	3	PLATE SEAL	
18	8036259	4	SPACER	
19	8036257	3	PLATE SEAL	
20	8035377	4	SOCKET HEAD CAPSCREW, (torque to 7 lb-ft)	
21	8036263	1	OUTLET SECTION ASSY	
22	8036176	1	LOAD SENSE RELIEF VALVE, 2600 ± 50 PSI, (torque to 33 lb-ft)	
	8036184	1	SEAL & SPRING KIT	
23	8035347	1	NUT, (torque to 74 lb-ft)	
24	8036282	1	TIE ROD	
25	8035381	2	NUT, (torque to 48 lb-ft)	
26	8036281	2	TIE ROD	
27	8035844	1	MAIN RELIEF VALVE, 3500 ± 50 PSI, (torque to 48 lb-ft)	
	8036183	1	SEAL & SPRING KIT	
28	NSS	2	BOOM EXTEND/RETRACT & LIFT/LOWER SECTION ASSY, EARLY MODELS, (includes items 12 thru 17), (for replacement order item 9, when item 9 is ordered, items 29 & 30 are not needed.)	
29	8035363	1	ANTI-VOID ASSY, (includes item 31)	
	8036186	1	SEAL KIT	
30	8036173	3	RELIEF ASSY VALVE, 3200 ± 50 PSI, (includes item 31)	
	8035856	1	SEAL & SPRING KIT	
31	Use Kit K1	1	O-RING	
32	8035843	1	PLUG, (torque to 18 lb-ft)	
33	Use Kit K1	1	O-RING	
34	8035346	1	NUT, (torque to 33 lb-ft)	
35	8036283	1	TIE ROD	
36	8035348	2	NUT, (torque to 18 lb-ft)	
37	8036284	2	TIE ROD	
38	8035848	1	OUTLET SECTION ASSY	
39	8036174	2	RELIEF ASSY VALVE, 3250 ± 50 PSI, (torque to 33 lb-ft), (includes item 41)	
	8036185	1	SEAL & SPRING KIT	
40	8036175	2	RELIEF VALVE ASSY, 3250 ± 50 PSI, (torque to 33 lb-ft), (includes item 41)	



HYDRAULIC COMPONENTS

Figure 9-9 Main Control Valve (Continued)

Item	Part Number	Qty.	Description	Rev.
	8035855	1	SEAL & SPRING KIT	
41	10837943	4	O-RING	
42	8036178	2	AUXILIARY & ATTACHMENT TILT SECTION ASSY, (includes items 44 thru 51)	
43	8036177	1	FRAME SWAY/STABIL-TRAK SECTION ASSY, (includes items 44 thru 51)	
44	NSS	3	SPOOL HOUSING	
45	NSS	3	SPOOL ASSY	
46	Use Kit K1	2	WIPER	
47	Use Kit K1	2	O-RING	
48	8035365	3	SPRING	
49	8035366	3	PISTON COMPENSATOR	
50	8036260	3	O-RING	
51	8036258	3	PLATE SEAL	
52	8036259	6	SPACER	
53	8036258	3	PLATE SEAL	
54	8035377	6	SOCKET HEAD CAPSCREW, (torque to 7 lb-ft)	
55	8035845	2	SHUTTLE	
K1	8036180	1	SEAL KIT, (includes items 2, 3, 4, 12, 13, 16, 31, 33, 41, 46, 47 & 50)	



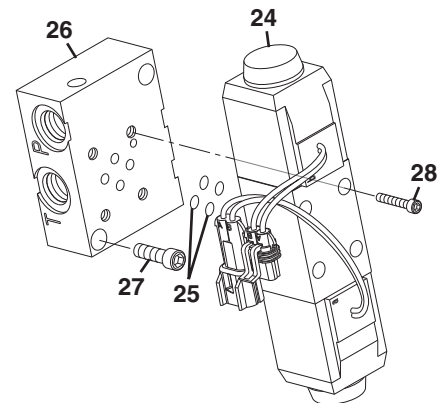
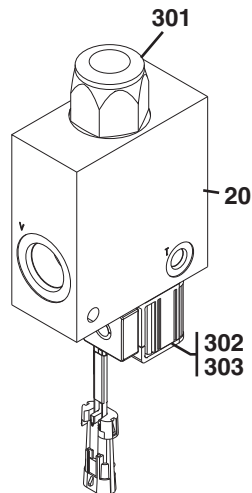
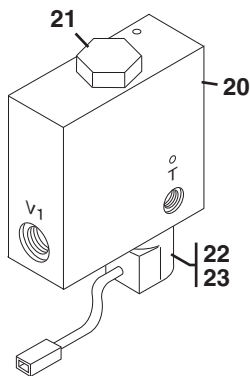
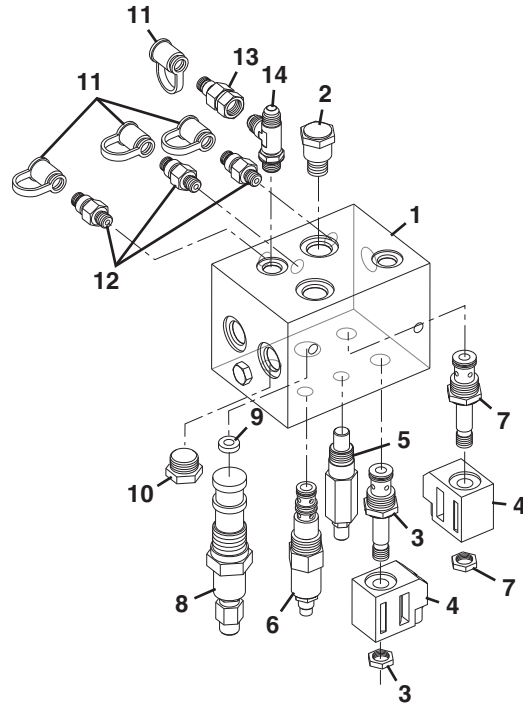
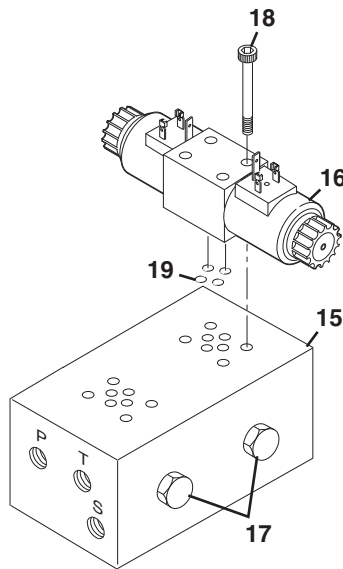
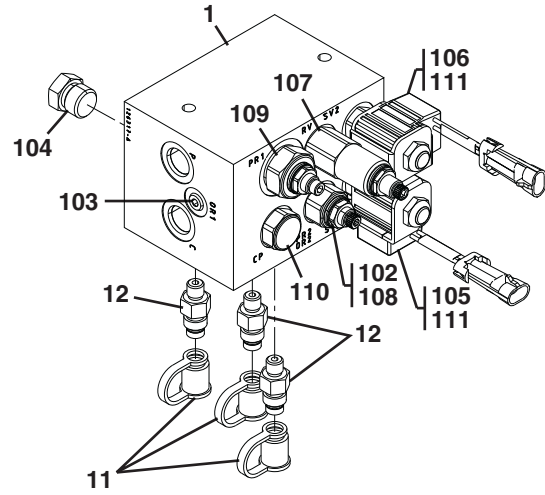
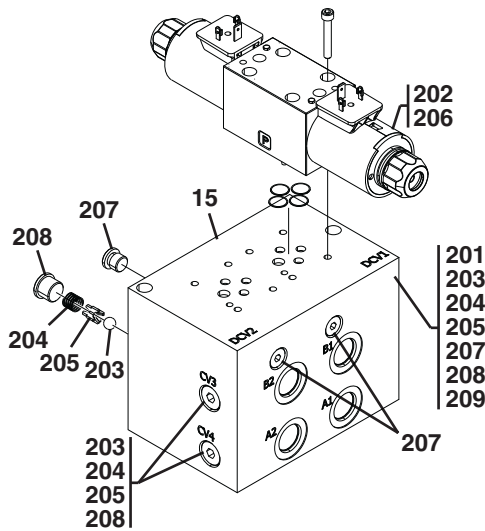
Figure 9-9 Main Control Valve (Continued)

Item	Part Number	Qty.	Description	Rev.



HYDRAULIC COMPONENTS

Figure 9-10 Directional Control Valve



PH4101

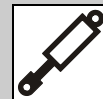


Figure 9-10 Directional Control Valve

Item	Part Number	Qty.	Description	Rev.
1	8902199	Ref	SECONDARY FUNCTION MANIFOLD, (not available to order, see items 2 thru 10 for service)	E
	1001103150	1	SECONDARY FUNCTION MANIFOLD, (includes items 104 thru 113)	A
2	8032995	1	CHECK VALVE	
	8032992	1	SEAL KIT	
3	8902696	1	SOLENOID VALVE	
	8032992	1	SEAL KIT	
4	8902698	2	SOLENOID COIL WITH INTEGRATED DIODE	
5	8032991	1	RELIEF VALVE, 650 PSI	
	8032994	1	SEAL KIT	
6	8032989	1	PRESSURE REDUCING VALVE, 2500 PSI	
	8032990	1	SEAL KIT	
7	8902697	1	SOLENOID VALVE	
	8032992	1	SEAL KIT	
8	8032993	1	PRESSURE REDUCING VALVE, 550 PSI	
	8032994	1	SEAL KIT	
9	8036253	1	ORIFICE DISC	
10	8036252	1	CAVITY PLUG	
11	8430032	3	DUST PLUG	
12	8430033	3	DIAGNOSTIC NIPPLE	
15	8902193	Ref	OUTRIGGER VALVE, (not available to order, see items 16 thru 19 for service)	B
	1001103153	1	OUTRIGGER VALVE, (includes items 201 thru 209)	A
16	8902194	2	SOLENOID VALVE ASSY	
17	8035512	3	SHUTTLE CARTRIDGE	
	8034038	1	SEAL KIT	
18	8304631	8	SOCKET HD CAPSCREW, #10-24X2	
19	8640017	AR	O-RING	
20	8902206	Ref	BOOM EXTEND/RETRACT LOCKOUT VALVE, (not available to order, see items 21 thru 23 for service)	C
	1001103147	1	BOOM EXTEND/RETRACT LOCKOUT VALVE, (includes items 301 thru 303)	A
21	8036171	1	PRESSURE SENSE VALVE	
	8036187	1	SEAL KIT	
22	8036172	1	SOLENOID VALVE	
	8036188	1	SEAL KIT	
23	8902698	1	COIL ASSY	
24	8902197	Ref	STEER SELECT VALVE, (not available to order, see item 25 for service)	C
	1001103152	1	STEER SELECT VALVE, (includes item 25)	C
25	8640017	AR	O-RING	
26	8902111	1	STEER SELECT VALVE SUBPLATE	
27	8310326	2	SOCKET HD CAPSCREW, 5/16-18X1.125	
28	8310327	4	SOCKET HD CAPSCREW, #10-24X1.125	
104	70023453	1	ORIFICE PLUG	
105	70023454	1	ORIFICE PLUG	
106	91474023	1	CHECK VALVE, (torque to 23-27 lb-ft)	
107	70022722	1	SOLENOID VALVE CARTRIDGE, (torque to 23-27 lb-ft), (torque coil to 5-7 lb-ft)	
108	70022723	1	SOLENOID VALVE CARTRIDGE, (torque to 23-27 lb-ft), (torque coil to 5-7 lb-ft)	
109	70022721	1	RELIEF VALVE, (650 psi), (torque to 37-41 lb-ft)	
110	70022719	1	PRESSURE REDUCING VALVE, (550 psi), (torque to 37-41 lb-ft)	
111	70022720	1	PRESSURE REDUCING VALVE, (2500 psi), (torque to 21 lb-ft)	



HYDRAULIC COMPONENTS

Figure 9-10 Directional Control Valve (Continued)

Item	Part Number	Qty.	Description	Rev.
112	70023455	1	CAVITY PLUG, (torque to 37-41 lb-ft)	
113	70022724	2	SOLENOID COIL WITH DIODE	
201	70022724	1	MANIFOLD	
202	70023505	2	DIRECTIONAL CONTROL VALVE	
203	70023506	6	BALL BEARING, 0.3125	
204	70023507	6	SPRING	
205	70023508	6	RETAINER	
206	70023509	2	ORIFICE	
207	8032790	6	PORT PLUG, (torque to 7.5-8.3 lb-ft)	
208	88662192	6	PORT PLUG, (torque to 25.7-28.1 lb-ft)	
209	70023510	3	EXPANDER PLUG, 7MM	
301	70023519	1	LOGIC ELEMENT, (65 lb-ft)	
	70023520	1	SEAL KIT	
302	70023521	1	SOLENOID, (torque to 23-27 lb-ft)	
	8032694	1	SEAL KIT	
303	70022724	1	METRIPACK COIL, (torque to 3 lb-ft)	



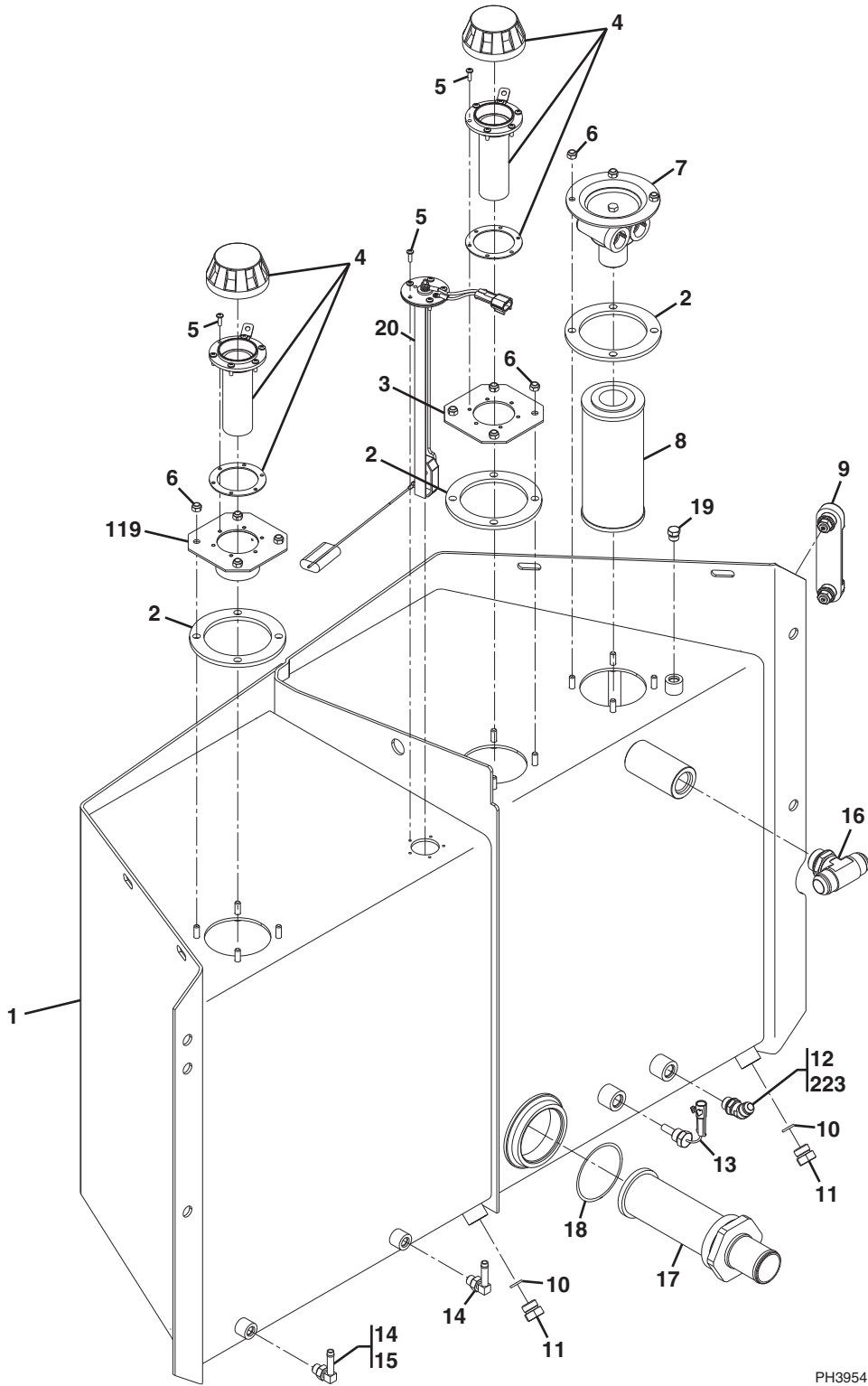
Figure 9-10 Directional Control Valve (Continued)

Item	Part Number	Qty.	Description	Rev.



HYDRAULIC COMPONENTS

Figure 9-11 Fuel/Hydraulic Tank Assembly



PH3954

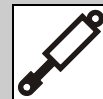


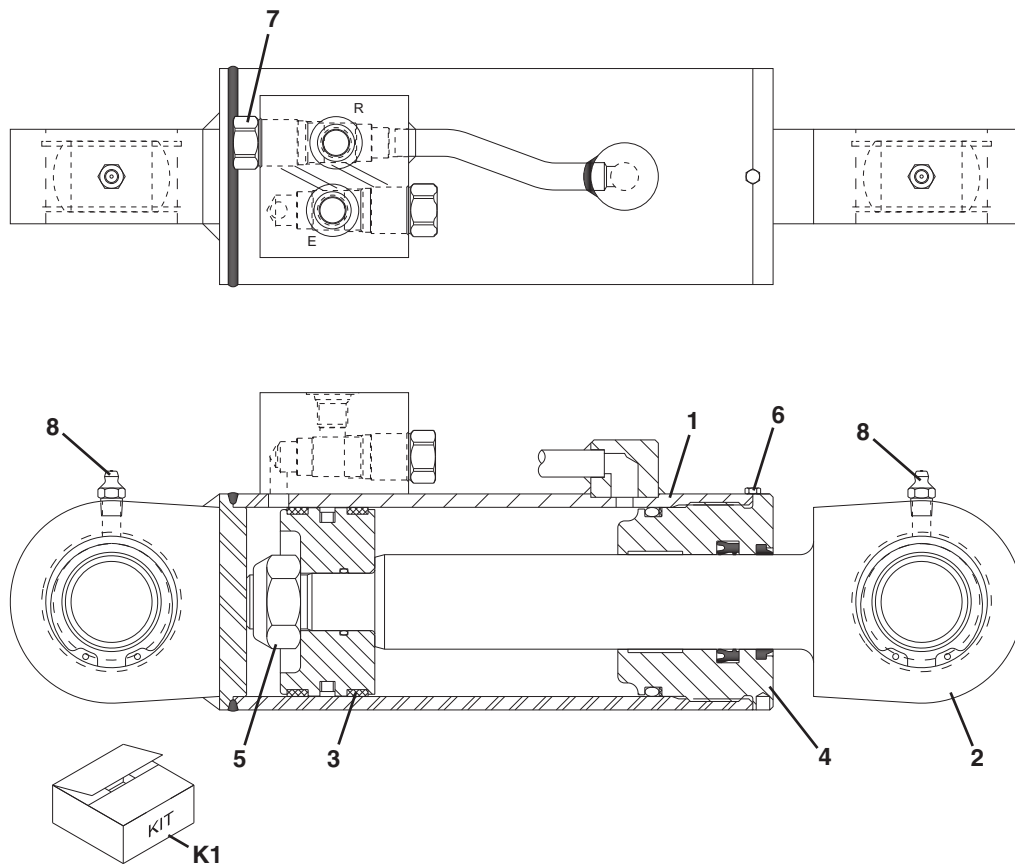
Figure 9-11 Fuel/Hydraulic Tank Assembly

Item	Part Number	Qty.	Description	Rev.
	7150655	1	FUEL/HYDRAULIC TANK ASSY, (includes items 1 thru 20), (S/N 13198 thru 19887)	
	7301863	1	FUEL/HYDRAULIC TANK ASSY, (includes items 1 thru 9 & 11 thru 20), (S/N 0160002332 thru 0160040219)	G
	1001100218	1	FUEL/HYDRAULIC TANK ASSY, (includes items 1 thru 9, 11 thru 20 & 119), (S/N 0160040220 & After including 0160039850, 0160040126 thru 0160040129 & 0160040171)	D
1	7150610	1	FUEL & HYDRAULIC RESERVOIR, (S/N 13198 thru 19887)	
	7301862	1	FUEL & HYDRAULIC RESERVOIR, (S/N 0160002332 & After)	
2	7138209	3	GASKET	
3	7139076	1	PLATE	
4	7139077	2	FILLER/BREATHER	
5	8310163	17	TRUSS HD SCREW, #10X5/8	
6	8305626	12	HEX LOCK ELASTIC NUT, 5/16-18	
7	1001091752	1	FILTER HEAD, (with by-pass)	
8	8320265	1	HYDRAULIC OIL FILTER ELEMENT, (Before S/N 0160040220 excluding 0160039850, 0160040126 thru 0160040129 & 0160040171)	
	7301252	1	HYDRAULIC OIL FILTER ELEMENT, (S/N 0160040220 & After including 0160039850, 0160040126 thru 0160040129 & 0160040171)	
9	7024441	1	SIGHT GAUGE, (torque bolts to 4-5 lb-ft)	
10	8640903	2	O-RING, (S/N 13198 thru 19887)	
11	8541435	2	HEX HD MAGNETIC PLUG, (S/N 13198 thru 19887)	
	2220239	2	HEX HD PLUG, (includes o-ring), (S/N 0160002332 & After)	
12	2220500	1	ELBOW, 45 DEGREES, (includes o-ring), (if equipped with red gear pump 8444228 or black gear pump 8444230)	
13	8223226	1	HYDRAULIC TEMPERATURE SWITCH, 195°F	
14	8430034	1	ELBOW, 90 DEGREES, (includes o-ring), (Before S/N 0160040220 excluding 0160039850, 0160040126 thru 0160040129 & 0160040171)	
	8430034	2	ELBOW, 90 DEGREES, (includes o-ring), (S/N 0160040220 & After including 0160039850, 0160040126 thru 0160040129 & 0160040171)	
15	8430064	1	ELBOW, 90 DEGREES, (includes o-ring), (Before S/N 0160040220 excluding 0160039850, 0160040126 thru 0160040129 & 0160040171)	
16	8760552	1	MALE BRANCH TEE, #16, (includes o-ring)	
17	7138740	1	STRAINER, (includes o-ring)	
18	7029716	1	O-RING	
19	2220237	1	HEX HD PLUG, #6	
20	7118222	1	FUEL LEVEL SENDER	
119	1001134961	1	FUEL FILL NECK ADAPTER, (S/N 0160040220 & After including 0160039850, 0160040126 thru 0160040129 & 0160040171)	
223	2220950	1	ELBOW, 45 DEGREES, (includes o-ring), (if equipped with grey gear pump 1001135002)	



HYDRAULIC COMPONENTS

Figure 9-12 Side Tilt Carriage Cylinder



PY1581



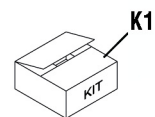
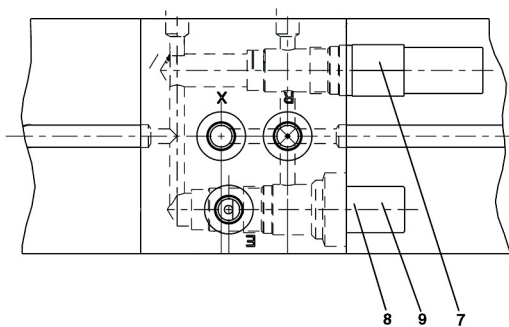
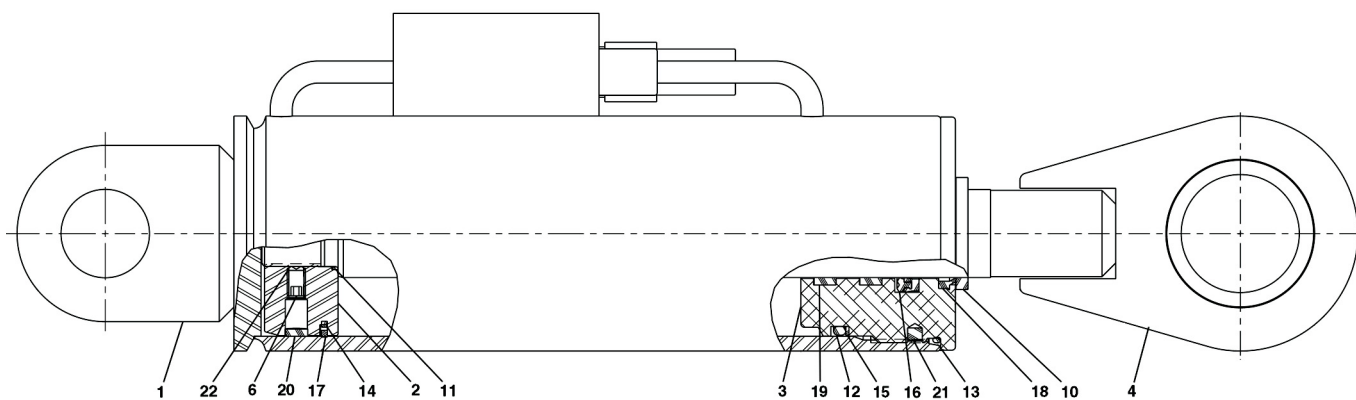
Figure 9-12 Side Tilt Carriage Cylinder

Item	Part Number	Qty.	Description	Rev.
	1001090134	1	SIDE TILT CARRIAGE CYLINDER, (includes all items)	B
1	70022038	1	BARREL ASSY	
2	70022039	1	ROD ASSY	
3	70022040	1	PISTON	
	70022042	1	SEAL KIT	
4	70024002	1	ROD BEARING	
	70022043	1	SEAL KIT	
5	90022230	1	HEX NUT	
6	7029760	1	CAPSCREW	
7	4640438	2	CHECK VALVE	
	2900770	1	SEAL KIT	
8	91044080	2	GREASE FITTING	
K1	70022041		SEAL KIT, (includes 70022042 & 70022043)	



HYDRAULIC COMPONENTS

Figure 9-13 72 in. 90 Degree Swing Carriage Cylinder



PY1711



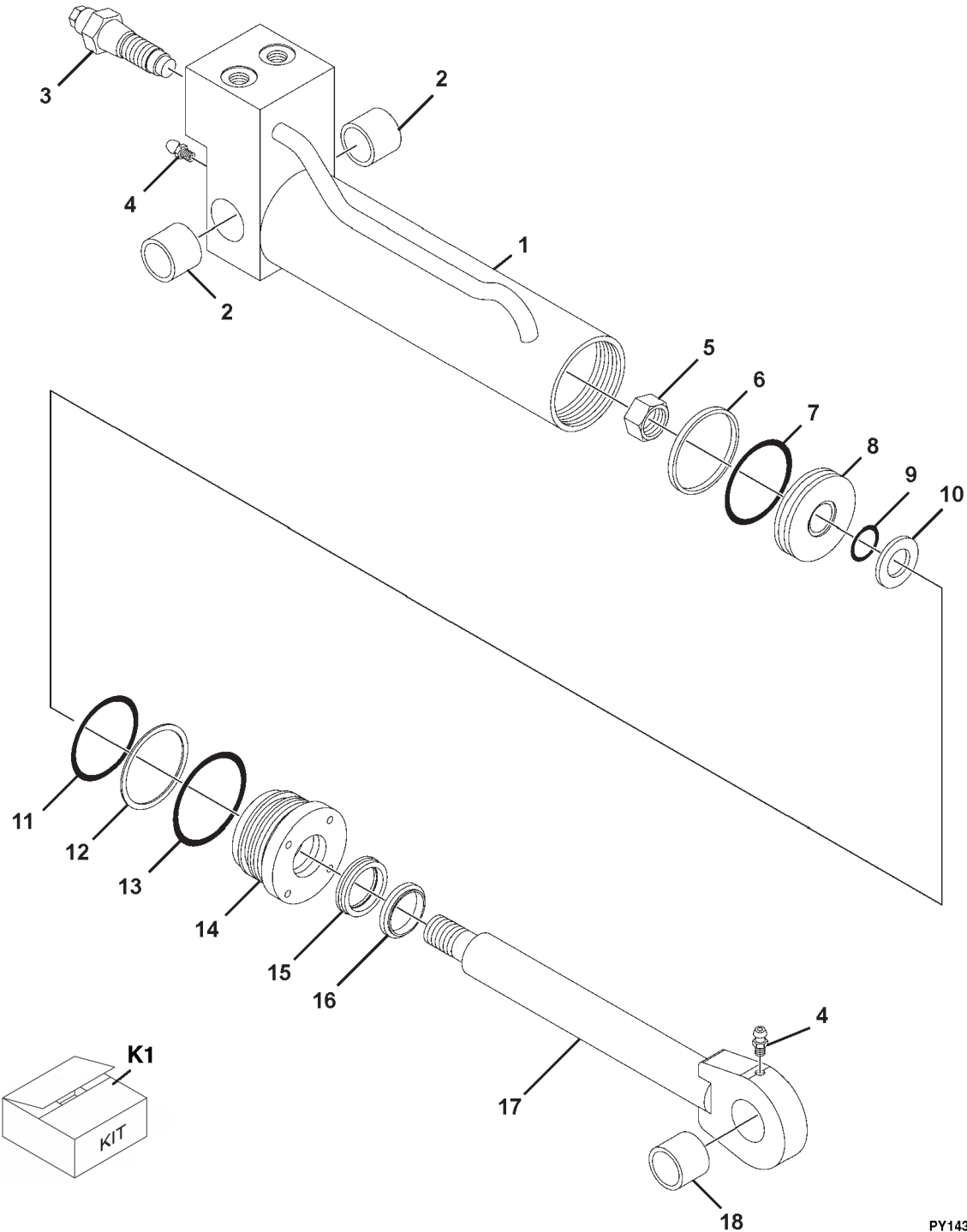
Figure 9-13 72 in. 90 Degree Swing Carriage Cylinder

Item	Part Number	Qty.	Description	Rev.
	1001103182	1	72 IN 90 DEGREE SWING CARRIAGE CYLINDER, (includes items 1 thru 22)	B
1	70022044	1	TUBE ASSY	
2	8035863	1	PISTON	
3	8035862	1	HEAD GLAND	
4	70022045	1	ROD ASSY	
5	70022046	1	BEARING	
6	8035536	2	SET SCREW, 5/16-18X1/2	
7	70020428	1	RELIEF VALVE, (preset to 2000 psi)	
	7024574	1	SEAL KIT	
8	8033786	1	COUNTER BALANCE VALVE, (preset to 3000 psi)	
	8205655	1	SEAL KIT	
9	70021812	1	TAMPERPROOF CAP	
11	Use Kit K1	1	O-RING	
12	Use Kit K1	1	O-RING	
13	Use Kit K1	1	O-RING	
14	Use Kit K1	1	SQUARE RING	
15	Use Kit K1	1	BACK-UP RING	
16	Use Kit K1	1	SEAL	
17	Use Kit K1	1	PISTON SEAL	
18	Use Kit K1	1	ROD WIPER	
19	Use Kit K1	2	WEARBAND	
20	Use Kit K1	1	WEARBAND	
21	Use Kit K1	2	INSERT	
22	Use Kit K1	2	INSERT	
K1	2915023	1	SEAL KIT, (includes items 11 thru 22)	



HYDRAULIC COMPONENTS

Figure 9-14 Grapple Bucket Cylinder



PY1431



Figure 9-14 Grapple Bucket Cylinder

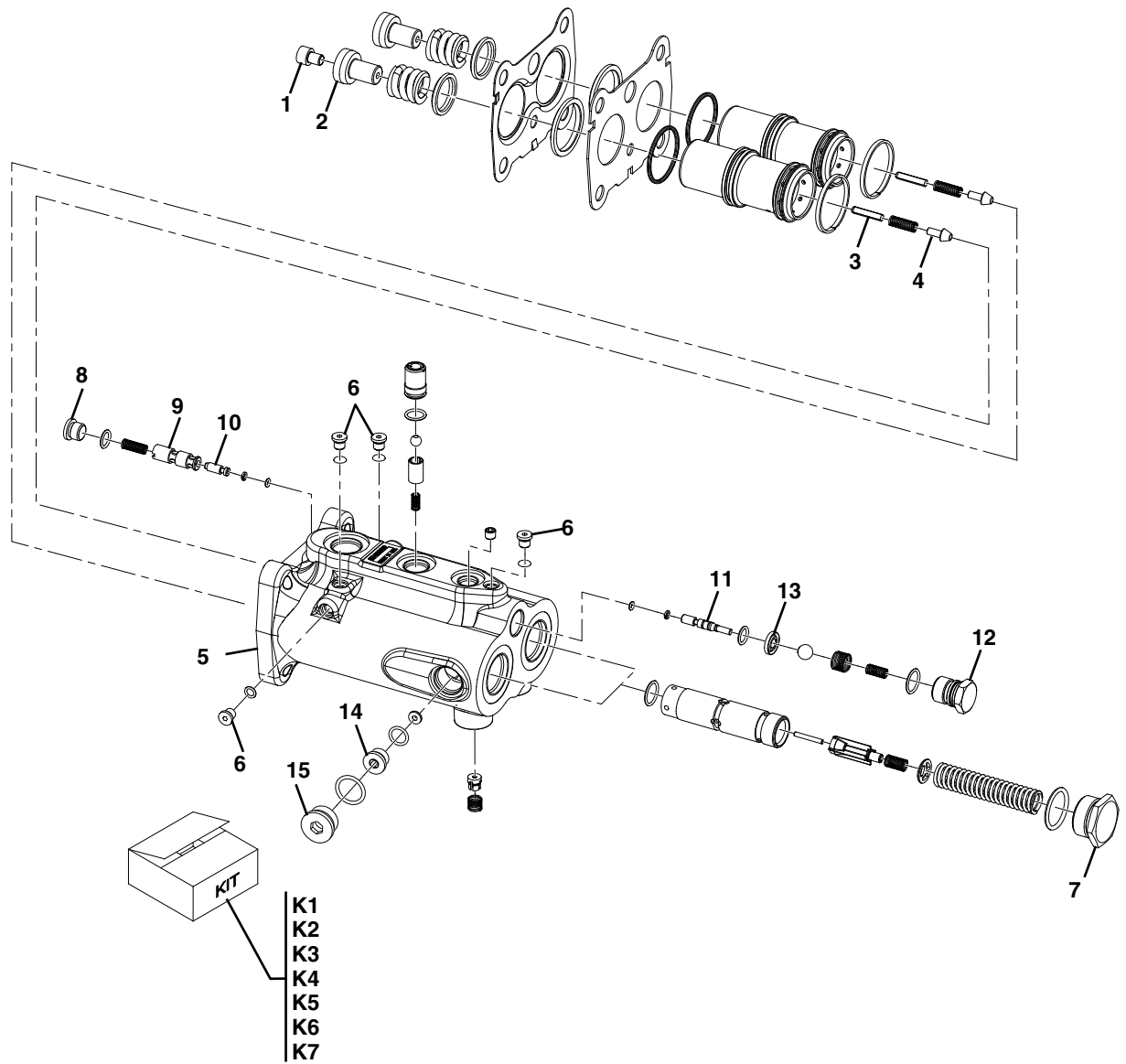
Item	Part Number	Qty.	Description	Rev.
	70021393	1	GRAPPLE BUCKET CYLINDER, (includes all items)	
1	70021465	1	CYLINDER TUBE	
2	70021448	2	BUSHING	
3	70021464	2	VALVE CARTRIDGE	
4	90554045	2	GREASE FITTING	
5	70021440	1	HEX NUT	
6	Use Kit K1	1	PISTON RING	
7	Use Kit K1	1	O-RING	
8	70021451	1	PISTON	
9	Use Kit K1	1	O-RING	
10	70021444	1	WASHER	
11	Use Kit K1	1	O-RING	
12	Use Kit K1	1	BACK-UP WASHER	
13	Use Kit K1	1	O-RING	
14	70021446	1	CYLINDER GLAND	
15	Use Kit K1	1	POLY-PAK SEAL	
16	Use Kit K1	1	ROD WIPER	
17	70021466	1	PISTON ROD	
18	70021447	1	BUSHING	
K1	70021452	1	SEAL KIT, (includes items 6, 7, 9, 11 thru 13, 15 & 16)	



HYDRAULIC COMPONENTS

8042 Before S/N 0160038988
10042 Before S/N 0160038383
10054 Before S/N 0160038738

Figure 9-15 Brake Valve



PAP4390

8042 Before S/N 0160038988
 10042 Before S/N 0160038383
 10054 Before S/N 0160038738

HYDRAULIC COMPONENTS



Figure 9-15 Brake Valve

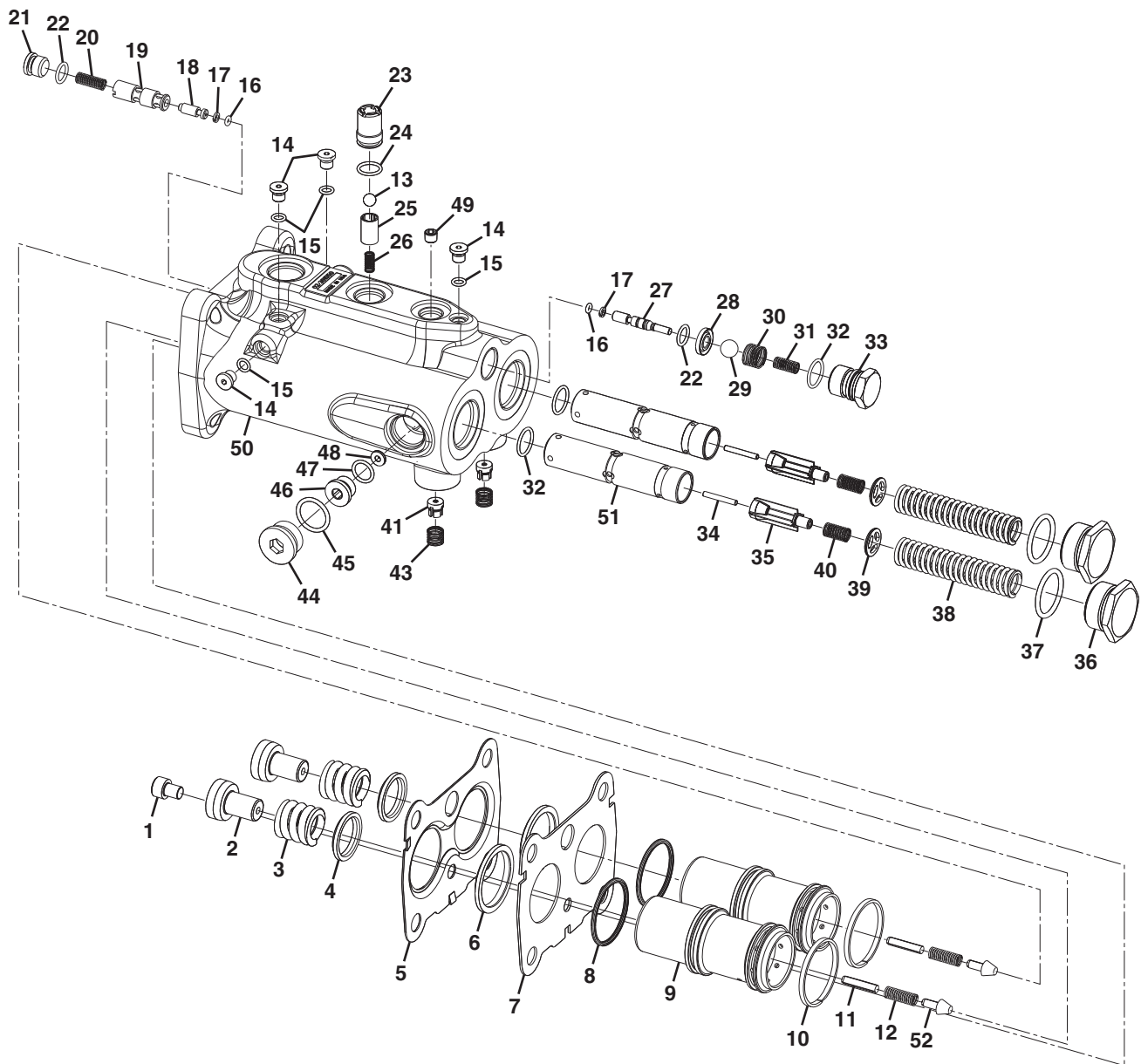
Item	Part Number	Qty.	Description	Rev.
	1001094284	Ref	POWER BRAKE VALVE, (no longer available, order 1001106845 for replacement or see items 1 thru 15 for service)	A
	1001106845	1	POWER BRAKE VALVE, (information not available at the time of publication)	
1	91474454	1	BOLT	
2	91474442	2	PIN	
3	70023037	2	PIN	
4	70023038	2	POPPET	
5	NSS	1	HOUSING	
6	91474450	4	PLUG	
7	91474434	2	PLUG	
8	91474458	1	PLUG	
9	91474456	1	SPOOL	
10	91474455	1	PISTON	
11	91474447	1	PISTON	
12	91474443	1	PLUG	
13	91474446	1	SEAT	
14	70020680	1	PLUG	
15	91474459	1	PLUG	
K1	70024044	1	PREFILL PISTON KIT	
K2	70024045	1	COVERS KIT	
K3	70024046	1	SEAL KIT	
K4	70024047	1	MAKE-UP CHECK KIT	
K5	70024048	1	INLET CHECK KIT	
K6	70024049	1	HARDWARE KIT	
K7	70024050	1	WORKPORT ORIFICE KIT	



HYDRAULIC COMPONENTS

8042 S/N 0160038988 & After
10042 S/N 0160038383 & After
10054 S/N 0160038738 & After

Figure 9-15 Brake Valve



PAL5171

8042 S/N 0160038988 & After
 10042 S/N 0160038383 & After
 10054 S/N 0160038738 & After

HYDRAULIC COMPONENTS



Figure 9-15 Brake Valve

Item	Part Number	Qty.	Description	Rev.
	1001106836	1	BRAKE VALVE, (includes all items)	A
1	91474454	1	SCREW	
2	91474442	2	PIN	
3	70020659	2	SPRING	
4	91474441	2	WIPER	
5	70020660	1	COVER	
6	91474440	2	WIPER	
7	70020661	1	COVER	
8	91474439	2	QUAD RING	
9	70020662	2	PISTON	
10	70020663	2	PISTON RING	
11	70023037	2	PIN	
12	91474438	2	SPRING	
13	91474452	1	BALL	
14	91474450	4	PLUG	
15	91474451	4	O-RING	
16	91474453	2	O-RING	
17	91514199	2	BACK-UP RING	
18	91474455	1	DUMP PISTON	
19	91474456	1	DUMP SPOOL	
20	70020665	1	SPRING	
21	91474458	1	PLUG	
22	91514198	2	O-RING	
23	70020666	1	INLET SEAT	
24	70020667	1	O-RING	
25	70020668	1	RETAINER	
26	70020669	1	SPRING	
27	91474447	1	PISTON	
28	91474446	1	SEAT	
29	70020670	1	BALL	
30	70020671	1	SPRING	
31	70020672	1	SPRING	
32	91514197	3	O-RING	
33	91474443	1	PLUG	
34	70020673	2	NEEDLE ROLLER	
35	70020674	2	MAKE-UP CHECK	
36	91474434	2	PLUG	
37	91474435	2	O-RING	
38	70020675	2	SPRING	
39	70020676	2	SPRING GUIDE	
40	70020677	2	SPRING	
41	70020678	2	ORIFICE	
43	70020679	2	SPRING	
44	91474459	1	PLUG	
45	91474460	1	O-RING	
46	70020680	1	PLUG	
47	70020681	1	O-RING	
48	70020682	1	ORIFICE	
49	70023039	1	ORIFICE	



HYDRAULIC COMPONENTS

8042 S/N 0160038988 & After
10042 S/N 0160038383 & After
10054 S/N 0160038738 & After

Figure 9-15 Brake Valve (Continued)

Item	Part Number	Qty.	Description	Rev.
50	NSS	1	HOUSING	
51	NSS	2	SPOOL	
52	70023038	2	POPPET	

8042 S/N 0160038988 & After
10042 S/N 0160038383 & After
10054 S/N 0160038738 & After

HYDRAULIC COMPONENTS



Figure 9-15 Brake Valve (Continued)

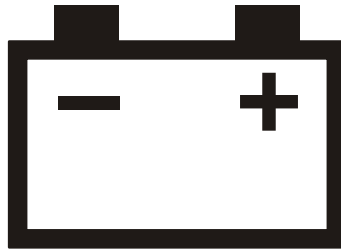
Item	Part Number	Qty.	Description	Rev.



HYDRAULIC COMPONENTS

This Page Intentionally Left Blank

SECTION 10 ELECTRICAL



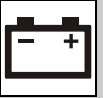
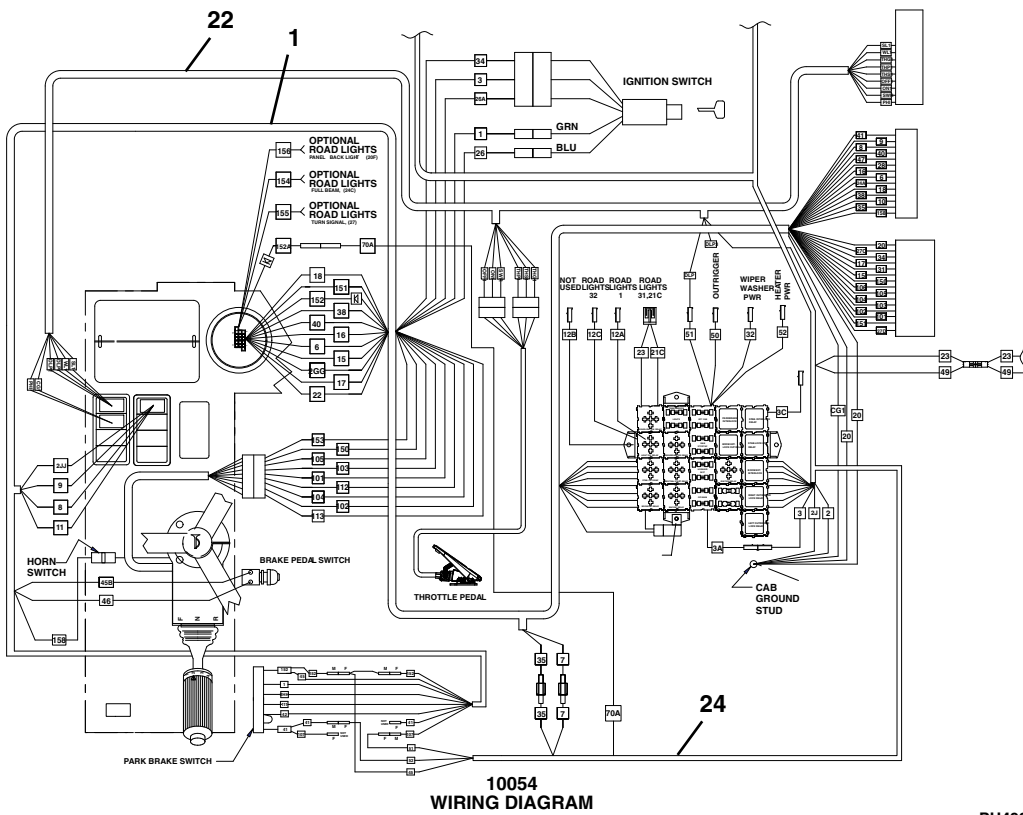
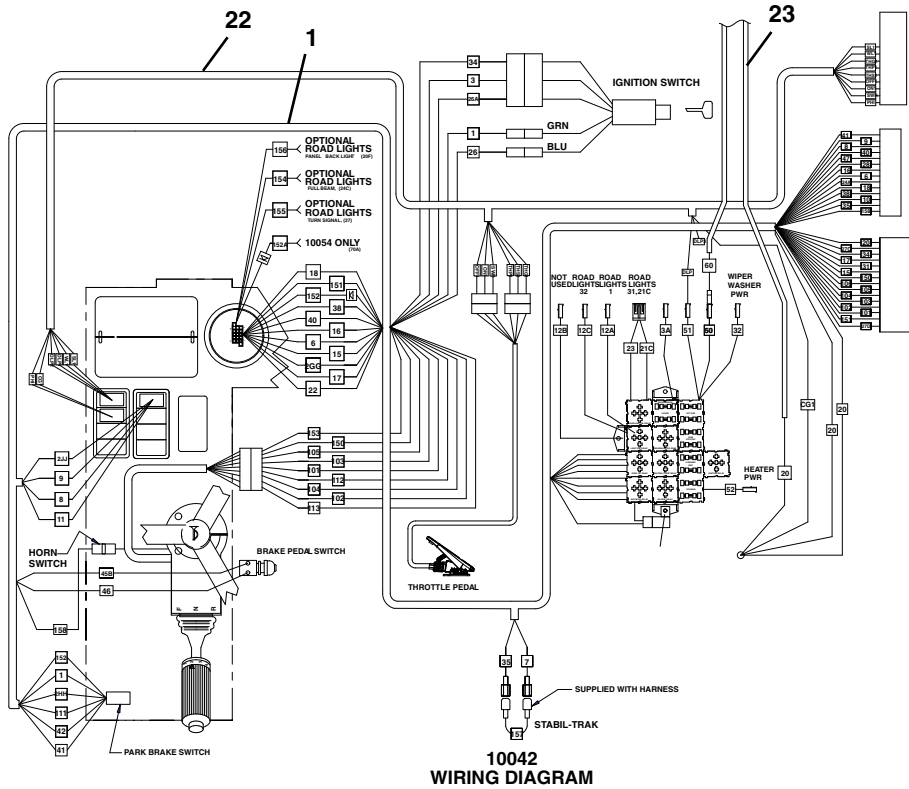
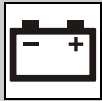


Figure 10-1 Cab Harness (Continued)



**ELECTRICAL**

Before S/N 0160040220
 excluding 0160039850, 0160040126 thru 0160040129
 & 0160040171

Figure 10-1 Cab Harness

Item	Part Number	Qty.	Description	Rev.
	1001092192	Ref	ELECTRICAL INSTALLATION, (8042 Before S/N 0160038967 including 0160038971 & 0160038984), (not available to order, see items 1 thru 22 and Figure 10-2 for service)	F
	1001107358	Ref	ELECTRICAL INSTALLATION, (8042 S/N 0160038967 & After excluding 0160038971 & 0160038984), (not available to order, see items 1 thru 22 and Figure 10-2 for service)	C
	1001092193	Ref	ELECTRICAL INSTALLATION, (10042 Before S/N 0160038368 including 0160038375), (not available to order, see items 1 thru 23 and Figure 10-2 for service)	G
	1001107359	Ref	ELECTRICAL INSTALLATION, (10042 S/N 0160038368 & After excluding 0160038375), (not available to order, see items 1 thru 23 and Figure 10-2 for service)	C
	1001092195	Ref	ELECTRICAL INSTALLATION, (10054 Before S/N 0160038740 excluding 0160021270, 0160036713, 0160036715, 0160036721 & 0160036723), (not available to order, see items 1 thru 22, item 24 and Figure 10-2 for service)	F
	1001107360	Ref	ELECTRICAL INSTALLATION, (10054 S/N 0160038740 & After including 0160021270, 0160036713, 0160036715, 0160036721 & 0160036723), (not available to order, see items 1 thru 22, item 24 and Figure 10-2 for service)	C
1	7301818	1	CAB HARNESS	E
2	8307106	4	FLAT WASHER, 5/16	
3	8307111	3	FLAT WASHER, #10	
4	8307003	3	LOCKWASHER, #10	
5	8305002	3	HEX NUT, #10-24	
6	8307027	1	LOCKWASHER, 5/16, (external tooth)	
7	8229233	3	FUSE, 7.5 AMP, (Brown)	
8	8229234	4	FUSE, 10 AMP, (Red)	
9	8229235	1	FUSE, 20 AMP, (Yellow)	
10	8582007	5	SPARE FUSE CLIP	
11	8225119	7	SEALED RELAY, 12V	
12	8229238	2	FUSE, 40 AMP, (Orange)	
13	8229237	2	FUSE, 15 AMP, (Blue)	
14	8305624	1	LOCKNUT, 1/4	
15	8229233	1	FUSE, 7.5 AMP, (Brown), (8042 & 10054)	
	8229237	1	FUSE, 15 AMP, (Blue), (10042)	
16	8307002	2	LOCKWASHER, 1/4	
17	8305004	2	HEX NUT, 1/4-20	
18	8307109	2	WASHER, 1/4	
19	7139271	1	BRAKE SWITCH BRACKET, (8042 Before S/N 0160038967 including 0160038971 & 0160038984), (10042 Before S/N 0160038368 including 0160038375), (10054 Before S/N 0160038740 excluding 0160021270, 0160036713, 0160036715, 0160036721 & 0160036723)	
	1001107355	1	BRAKE SWITCH BRACKET, (8042 S/N 0160038967 & After excluding 0160038971 & 0160038984), (10042 S/N 0160038368 & After excluding 0160038375), (10054 S/N 0160038740 & After including 0160021270, 0160036713, 0160036715, 0160036721 & 0160036723)	
20	8223025	1	SERVICE BRAKE SWITCH	
21	8303540	2	HEX HD CAPSCREW, 1/4-20X1	
22	7301514	1	ECM CAB HARNESS	
23		Ref	OUTRIGGER HARNESS, (see Figure 10-3 for details)	
24		Ref	LOGIC HARNESS, (see Figure 10-3 for details)	

Before S/N 0160040220
excluding 0160039850, 0160040126 thru 0160040129
& 0160040171

ELECTRICAL

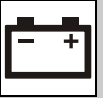
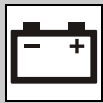


Figure 10-1 Cab Harness (Continued)

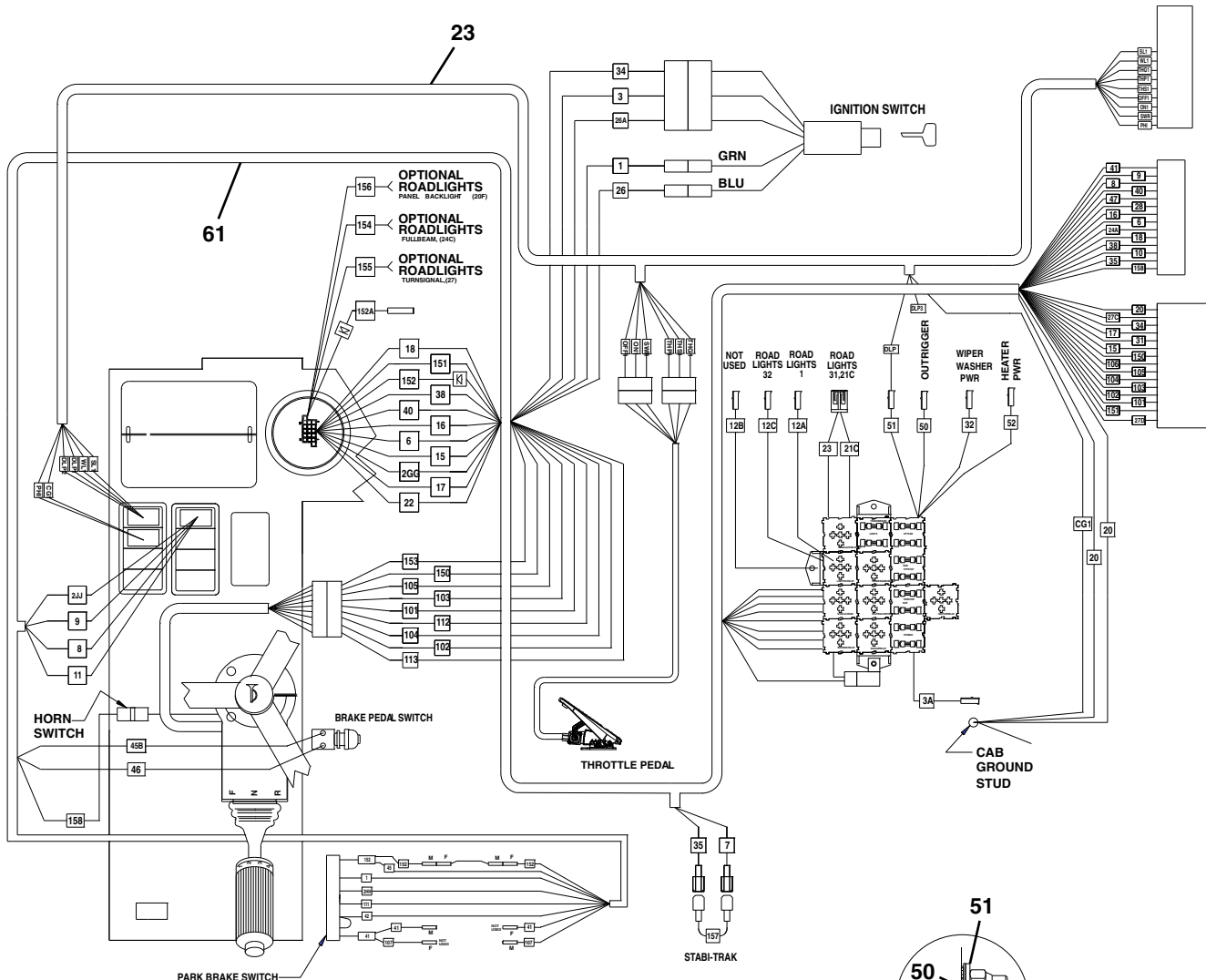
Item	Part Number	Qty.	Description	Rev.



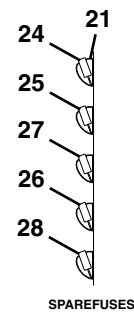
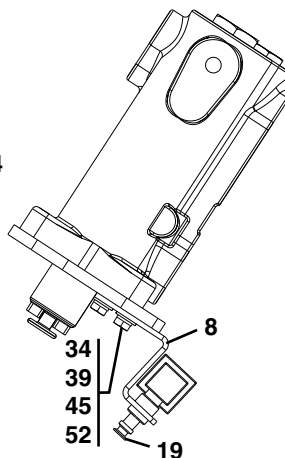
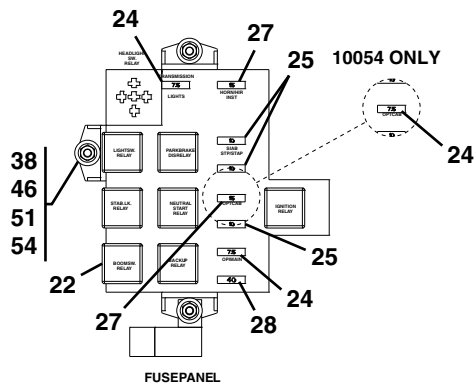
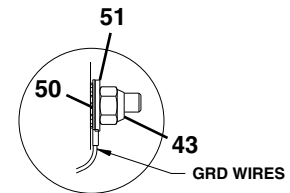
ELECTRICAL

S/N 0160040220 & After
including 0160039850, 0160040126 thru 0160040129 &
0160040171

Figure 10-1 Cab Harness



8042



SPARE FUSES

PH5040

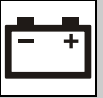
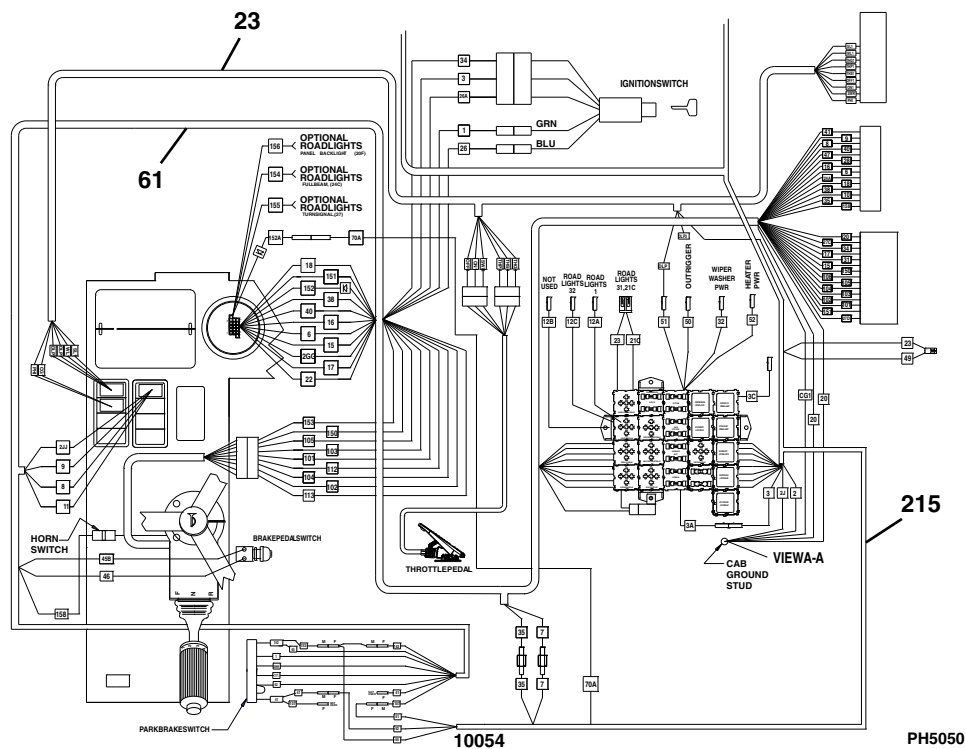
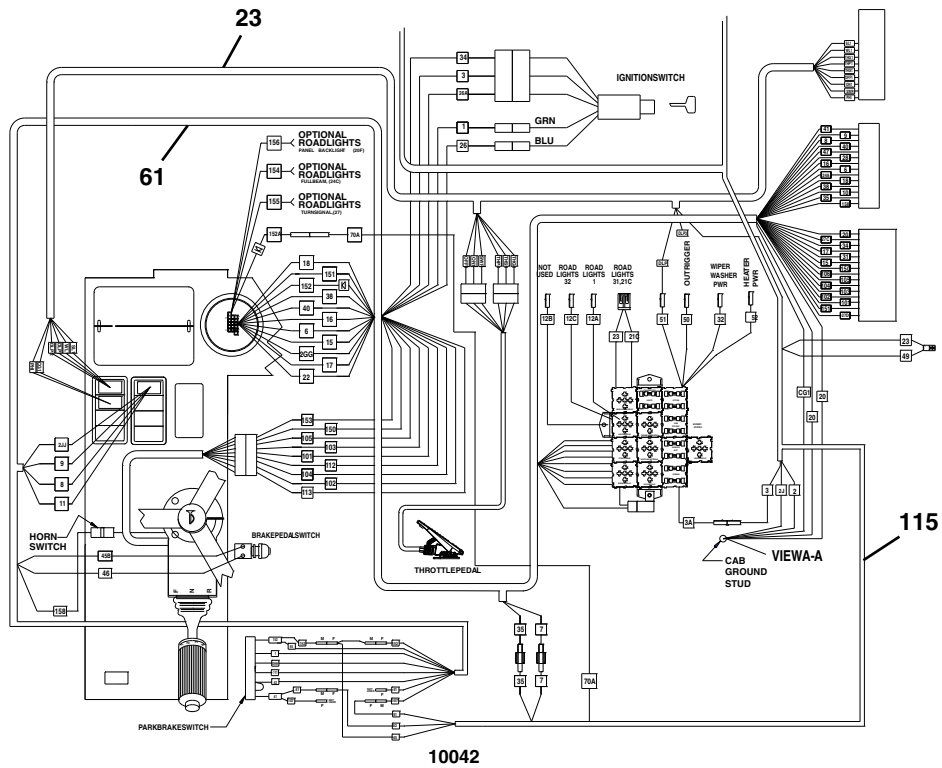
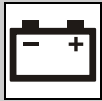


Figure 10-1 Cab Harness (Continued)



**ELECTRICAL**S/N 0160040220 & After
including 0160039850, 0160040126 thru 0160040129 &
0160040171**Figure 10-1 Cab Harness**

Item	Part Number	Qty.	Description	Rev.
	1001119175	Ref	ELECTRICAL INSTALLATION, (8042) , (not available to order, see items 8 thru 61 and Figure 10-2 for service)	C
	1001119174	Ref	ELECTRICAL INSTALLATION, (10042) , (not available to order, see items 8 thru 61, item 115 and Figure 10-2 for service)	C
	1001117610	Ref	ELECTRICAL INSTALLATION, (10054) , (not available to order, see items 8 thru 61, item 215 and Figure 10-2 for service)	C
8	1001107355	1	BRAKE SWITCH BRACKET	
19	8223025	1	BRAKE LIGHTS MOMENTARY SWITCH	
21	8582007	5	SPARE FUSE CLIP	
22	8225119	7	SEALED RELAY	
23	1001128396	1	ECM CAB HARNESS	
24	8229233	3	FUSE, 7.5 AMP, (8042 & 10042)	
	8229233	4	FUSE, 7.5 AMP, (10054)	
25	8229234	4	FUSE, 10 AMP	
26	8229235	1	FUSE, 20 AMP	
27	8229237	3	FUSE, 15 AMP, (8042 & 10042)	
	8229237	2	FUSE, 15 AMP, (10054)	
28	8229238	2	FUSE, 40 AMP	
34	8303540	2	HEX HD CAPSCREW, 1/4-20X1.00, GR5	
38	8305002	3	HEX NUT, #10-24	
39	8305004	2	HEX NUT, 1/4-20	
43	8305624	1	LOCKNUT, 1/4-20	
45	8307002	2	LOCKWASHER, 1/4	
46	8307003	3	LOCKWASHER, #10	
50	8307027	1	LOCKWASHER, EXTERNAL TOOTH, 5/16	
51	8307106	4	WASHER, 5/16	
52	8307109	2	WASHER, 1/4	
54	8307111	3	WASHER, #10	
61	1001104036	1	CAB HARNESS	
115		Ref	OUTRIGGER HARNESS, (10042) , (see Figure 10-3 for details)	
215		Ref	LOGIC HARNESS, (10054) , (see Figure 10-3 for details)	

S/N 0160040220 & After
including 0160039850, 0160040126 thru 0160040129 &
0160040171

ELECTRICAL

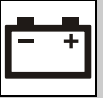


Figure 10-1 Cab Harness (Continued)

Item	Part Number	Qty.	Description	Rev.

8042 S/N 13198 thru 18990
 10042 S/N 13198 thru 19030
 10054 S/N 13198 thru 19079

ELECTRICAL

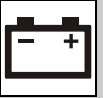
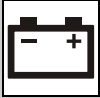


Figure 10-2 Engine Harness

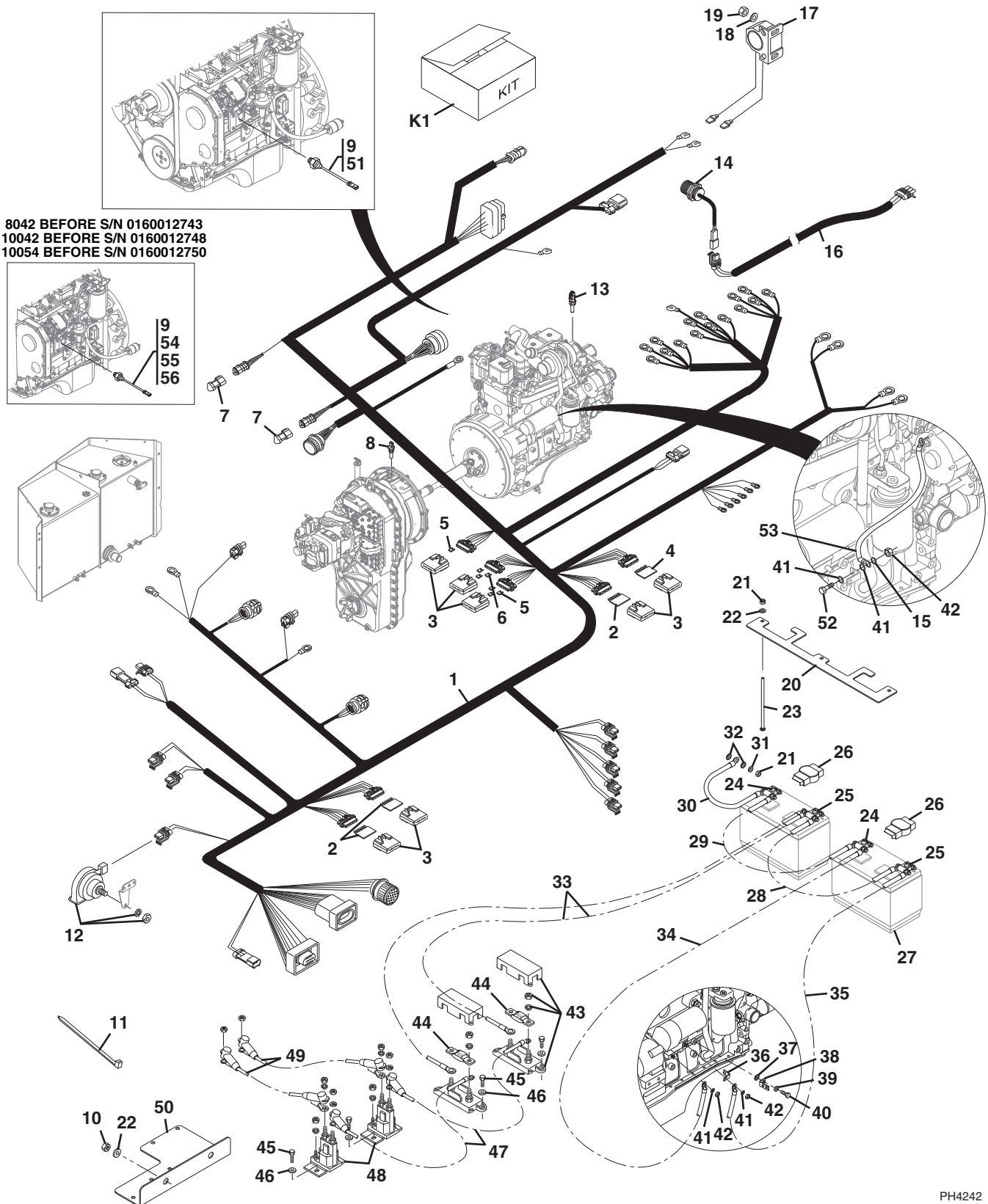
Item	Part Number	Qty.	Description	Rev.
1	7150714	1	ENGINE HARNESS	
2	8270134	1	BATTERY, 12V	
3	7150745	1	SINGLE BATTERY NEGATIVE CABLE	
4	7150746	1	SINGLE BATTERY POSITIVE CABLE	
5	7138830	1	BATTERY HOLD-DOWN	
6	8310344	2	HEX HD CAPSCREW, 3/8-16X10	
7	8307204	2	FLAT WASHER, 3/8	
8	8305645	3	LOCKNUT, 3/8	
9	8307110	1	FLAT WASHER, 3/8	
10	8307026	1	LOCKWASHER, 3/8, (external tooth)	
11	8270620	1	HORN, (includes mounting hardware)	
12		Ref	BACK-UP ALARM, (no longer available, use kit 2915184 on Figure 10-2 with S/N ranges 8042 - 0160014888 & After, 10042 - 0160014861 & After & 10054 - 0160014890 & After for replacement)	
13	8305004	2	HEX NUT, 1/4-20	
14	8307002	2	LOCKWASHER, 1/4	
15	8584001	AR	TIE WRAP	
16		Ref	BOOM ANGLE SENSOR, (see Figure 2-1 for details)	
17	8033340	1	STARTER, (includes starter solenoid)	
18	8307023	1	LOCKWASHER, M10	
19	8305438	1	HEX JAM NUT, M10	
20	8310077	3	HEX JAM NUT, M5-0.8	
21	8310078	3	LOCKWASHER, M5	
22		Ref	LOW OIL PRESSURE SENDER, (no longer available, use kit 2915063 on Figure 10-2 with S/N ranges 8042 - 18991 thru 19987 & 0160002332 thru 0160014865, 10042 - 19031 thru 19987 & 0160002332 thru 0160014697 & 10054 - 19080 thru 19987 & 0160002332 thru 0160014864 for replacement)	
23	8310041	1	LOCKWASHER, #8, (external tooth)	
24	8305201	1	HEX NUT, #8-32 BRASS	
25	8220073	1	SLIP-ON MALE TERMINAL, #10 SCREW	
26	8223217	1	WATER TEMPERATURE SENDER	
27	8223232	1	TRANSMISSION TEMPERATURE SWITCH	
28	8035276	1	FUEL RUN SOLENOID, (not shown)	
29	8270221	1	ALTERNATOR	
30	8307022	1	LOCKWASHER, M8	
31	8305043	1	HEX NUT, M8-1.25	
32	8035805	2	DIODE PAC	
33	7112592	1	BOOM EXTEND INTERLOCK WIRE ASSY, (10054 only)	



ELECTRICAL

8042 S/N 18991 thru 19987 & 0160002332 thru 0160014865
 10042 S/N 19031 thru 19987 & 0160002332 thru 0160014697
 10054 S/N 19080 thru 19987 & 0160002332 thru 0160014864

Figure 10-2 Engine Harness



PH4242

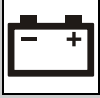
8042 S/N 18991 thru 19987 & 0160002332 thru 0160014865
 10042 S/N 19031 thru 19987 & 0160002332 thru 0160014697
 10054 S/N 19080 thru 19987 & 0160002332 thru 0160014864

ELECTRICAL



Figure 10-2 Engine Harness

Item	Part Number	Qty.	Description	Rev.
1	7301515	1	ENGINE HARNESS, (includes items 2 thru 7), (8042 S/N 18991 thru 19987 & 0160002332 thru 0160012533), (10042 S/N 19031 thru 19987 & 0160002332 thru 0160012505), (10054 S/N 19080 thru 19987 & 0160002332 thru 0160012542)	G
	4923267	1	ENGINE HARNESS, (includes items 2 thru 7), (8042 S/N 0160012559 thru 0160014865), (10042 S/N 0160012588 thru 0160014861), (10054 S/N 0160012558 thru 0160014864)	D
2	8220366	3	CIRCUIT BOARD, 3 DIODE	
3	8220357	7	CLEAR VES-PAC COVER	
4	8220364	1	CIRCUIT BOARD, 2 DIODE	
5	8229243	3	MINI FUSE, 7.5A	
6	8229234	4	MINI FUSE, 10A	
7	8220553	2	RESISTOR	
8	8223232	1	TRANSMISSION TEMPERATURE SWITCH	
9	8223532	Ref	LOW OIL PRESSURE SENDER, (8042 S/N 18991 thru 19987 & 0160002332 thru 0160012742), (10042 S/N 19031 thru 19987 & 0160002332 thru 0160012747), (10054 S/N 19080 thru 19987 & 0160002332 thru 0160012749), (no longer available, use kit 2915063 for replacement)	
	4360609	1	LOW OIL PRESSURE SENDER, (8042 S/N 0160012743 & After), (10042 S/N 0160012748 & After), (10054 S/N 0160012750 & After)	
10	8305008	2	HEX NUT, 3/8-16	
11	8584001	AR	TIE WRAP	
12	8270620	1	HORN	
13	8223244	1	WATER TEMPERATURE SENDER	
14		Ref	BOOM ANGLE SENSOR, (see Figure 2-1 for details)	
15	8307023	2	LOCKWASHER, M10	
16	7112592	1	BOOM EXTEND INTERLOCK WIRE ASSY, (10054 only)	
17		Ref	BACK-UP ALARM, (no longer available, use kit 2915184 on Figure 10-2 with S/N ranges 8042 - 0160014888 & After, 10042 - 0160014861 & After, 10054 - 0160014890 & After for replacement)	
18	4711400	2	FLAT WASHER, 1/4	
19	8305624	2	HEX LOCKNUT, 1/4-20	
20	7301841	1	BATTERY HOLD-DOWN	
21	8305645	4	LOCKNUT, 3/8	
22	83071110	5	WASHER, 3/8	
23	8304014	3	BATTERY HOLD-DOWN BOLT	
24	8270147	2	NEGATIVE BATTERY CLAMP	
25	8270148	2	POSITIVE BATTERY CLAMP	
26	7301893	2	POSITIVE BATTERY TERMINAL INSULATOR	
27	8270144	2	BATTERY, 12V	
28	7301522	1	POSITIVE BATTERY CABLE	
29	7301523	1	NEGATIVE BATTERY CABLE	
30	7300343	1	NEGATIVE BATTERY CABLE	
31	8307112	1	FLAT WASHER, 1/2	
32	10701363	1	LOCKWASHER, 5/8, (external tooth)	
33	7301524	2	GRID HEATER BATTERY-FUSE CABLE	
34	7301836	1	GROUND BATTERY CABLE	
35	7301835	1	POWER BATTERY CABLE	
36	6621412	1	STARTER TERMINAL, 90 DEGREES	
37	8310650	4	LOCKWASHER, M12, (external tooth)	

**ELECTRICAL**

8042 S/N 18991 thru 19987 & 0160002332 thru 0160014865
10042 S/N 19031 thru 19987 & 0160002332 thru 0160014697
10054 S/N 19080 thru 19987 & 0160002332 thru 0160014864

Figure 10-2 Engine Harness (Continued)

Item	Part Number	Qty.	Description	Rev.
38	7300344	1	NEGATIVE STARTER BUS BAR	
39	8307220	1	PLAIN WASHER, M12	
40	8303533	2	HEX HD CAPSCREW, M12X1.75X20mm, PC8.8	
41	8307221	4	PLAIN WASHER, M10	
42	8305038	3	HEX NUT, M10X1.50	
43	8229260	2	MEGA FUSE BLOCK, (includes nuts & lockwasher)	
44	8229259	2	MEGA FUSE, 125A	
45	8303545	10	HEX HD CAPSCREW, M6X1.0X16mm, PC8.8	
46	8307219	10	PLAIN WASHER, M6	
47	7301448	2	GRID HEATER FUSE RELAY CABLE	
48	8225122	2	GRID HEATER RELAY, (includes nuts & lockwasher)	
49	7301525	2	GRID HEATER FUSE RELAY CABLE	
50	7301829	1	RELAY MOUNTING BRACKET	
51	4923283	1	PRESSURE SWITCH JUMPER, (8042 S/N 0160012743 & After), (10042 S/N 0160012748 & After), (10054 S/N 0160012750 & After)	
52	8303777	2	HEX HD CAPSCREW, M10X1.5X35mm, PC8.8	
53	7310012	1	FUSIBLE LINK, 150AMP	
54	8310041	1	LOCKWASHER, #8, (external tooth)	
55	8305201	1	HEX NUT, #8-32 BRASS	
56	8220073	1	SLIP-ON MALE TERMINAL, #10 SCREW	
K1	2915063	1	PRESSURE SWITCH KIT, (includes items 9 & 51)	

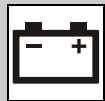
8042 S/N 18991 thru 19987 & 0160002332 thru 0160014865
10042 S/N 19031 thru 19987 & 0160002332 thru 0160014697
10054 S/N 19080 thru 19987 & 0160002332 thru 0160014864

ELECTRICAL



Figure 10-2 Engine Harness (Continued)

Item	Part Number	Qty.	Description	Rev.

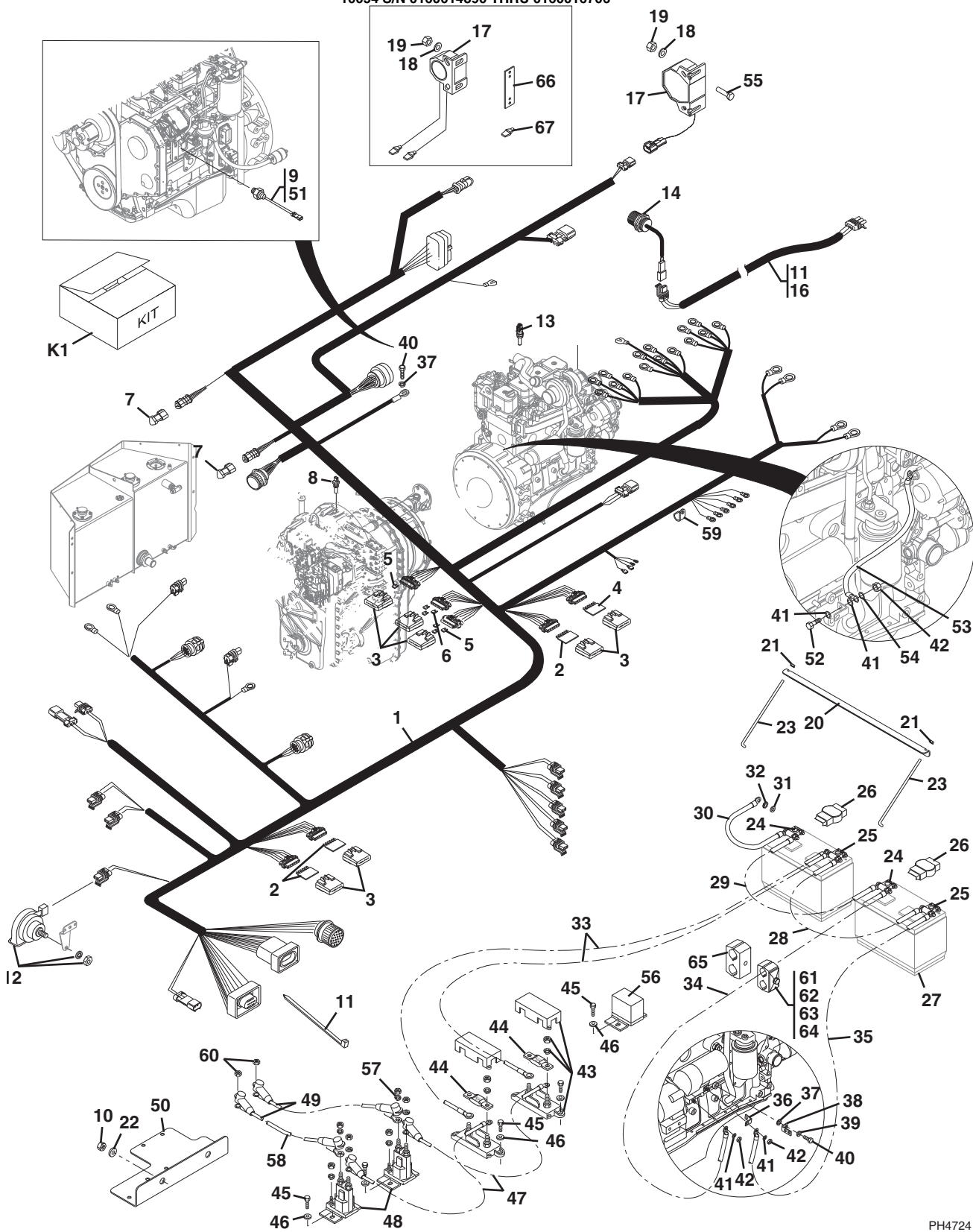


ELECTRICAL

8042 S/N 0160014888 thru 0160029584
10042 S/N 0160014861 thru 0160029583
10054 S/N 0160014890 thru 0160029586

Figure 10-2 Engine Harness

8042 S/N 0160014888 THRU 0160016705
10042 S/N 0160014861 THRU 0160016668
10054 S/N 0160014890 THRU 0160016706



PH4724

8042 S/N 0160014888 thru 0160029584
 10042 S/N 0160014861 thru 0160029583
 10054 S/N 0160014890 thru 0160029586

ELECTRICAL

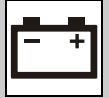
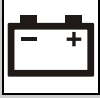


Figure 10-2 Engine Harness

Item	Part Number	Qty.	Description	Rev.
1	4923364	1	ENGINE HARNESS, (includes items 2 thru 7)	D
2	8220366	3	CIRCUIT BOARD, 3 DIODE	
3	8220357	7	CLEAR VES-PAC COVER	
4	8220364	1	CIRCUIT BOARD, 2 DIODE	
5	8229243	3	MINI FUSE, 7.5A	
6	8229234	4	MINI FUSE, 10A	
7	8220552	2	RESISTOR	
8	8223232	1	TRANSMISSION TEMPERATURE SWITCH	
9	4360609	1	LOW OIL PRESSURE SENDER	
10	835008	2	HEX NUT, 3/8-16	
11	8584001	AR	TIE WRAP	
12	8270620	1	HORN	
13	8223244	1	WATER TEMPERATURE SENDER	
14		Ref	BOOM ANGLE SENSOR, (see Figure 2-1 for details)	
16	7112592	1	BOOM EXTEND INTERLOCK WIRE ASSY, (10054 only)	
17	Use Kit K1	1	BACK-UP ALARM, (8042 S/N 0160014888 thru 0160016705), (10042 S/N 0160014861 thru 0160016668), (10054 S/N 0160014890 thru 0160016706), (no longer available, use kit 2915184 for replacement)	
	8270621	1	BACK-UP ALARM, (8042 S/N 0160016727 thru 0160029584), (10042 S/N 0160016784 thru 0160029583), (10054 S/N 0160016729 thru 0160029586)	
18	4711400	2	FLAT WASHER, 1/4	
19	8305624	2	HEX LOCKNUT, 1/4-20	
20	91401299	1	BATTERY HOLD-DOWN	
21	3311508	2	LOCKNUT, 5/16-18	
22	8307110	2	WASHER, 3/8	
23	91081640	2	BATTERY HOLD-DOWN BOLT	
24	8270147	2	NEGATIVE BATTERY CLAMP	
25	8270148	2	POSITIVE BATTERY CLAMP	
26	7301893	2	POSITIVE BATTERY TERMINAL INSULATOR	
27	0400075	2	BATTERY, 12V	
28	7301522	1	POSITIVE BATTERY CABLE	
29	7301523	1	NEGATIVE BATTERY CABLE	
30	7300343	1	NEGATIVE BATTERY CABLE	
31	8307112	1	FLAT WASHER, 1/2	
32	10701363	1	LOCKWASHER, 5/8, (external tooth)	
33	7301524	2	GRID HEATER BATTERY-FUSE CABLE	
34	7301836	1	GROUND BATTERY CABLE	
35	7301835	1	POWER BATTERY CABLE	
36	6621412	1	STARTER TERMINAL, 90 DEGREES	
37	8310650	4	LOCKWASHER, M12, (external tooth)	
38	7300344	1	NEGATIVE STARTER BUS BAR	
39	8307220	1	PLAIN WASHER, M12	
40	8303533	2	HEX HD CAPSCREW, M12X1.75X20mm, PC8.8	
41	8307221	5	PLAIN WASHER, M10	
42	8305038	3	HEX NUT, M10X1.50	
43	8229260	2	MEGA FUSEBLOCK, (includes nuts & lockwasher)	
44	8229259	2	MEGA FUSE, 125A	
45	8303545	10	HEX HD CAPSCREW, M6X1.0X16mm, PC8.8	
46	8307219	10	PLAIN WASHER, M6	

**ELECTRICAL**8042 S/N 0160014888 thru 0160029584
10042 S/N 0160014861 thru 0160029583
10054 S/N 0160014890 thru 0160029586**Figure 10-2 Engine Harness (Continued)**

Item	Part Number	Qty.	Description	Rev.
47	7301448	2	GRID HEATER FUSE RELAY CABLE	
48	8225122	2	GRID HEATER RELAY, (includes nuts & lockwasher)	
49	7301525	2	GRID HEATER FUSE RELAY CABLE	
50	0903311	1	RELAY MOUNTING BRACKET	
51	4923283	1	PRESSURE SWITCH JUMPER	
52	8303777	2	HEX HD CAPSCREW, M10X1.5X35mm, PC8.8	
53	7310012	1	FUSIBLE LINK, 150AMP	
54	8307023	2	LOCKWASHER, M10	
55	0641406	2	HEX HD CAPSCREW, 1/4-20X3/4, GR5,	
56	77383377	1	STARTER RELAY, 75 AMP	
57	8310431	4	LOCKWASHER, 5/16	
58	7125811	AR	CONDUIT	
59	8406105	1	TUBE CLIP	
60	8305047	2	HEX NUT, M6X1.00	
61	8750027	1	TWIN CLAMP SET	
62	8769128	1	COVER PLATE	
63	8310009	1	HEX HD CAPSCREW, 5/16-18X2, GR5	
64	8307004	1	LOCKWASHER, 5/16	
65		Ref	TWIN CLAMP SET, (see Figure 8-9 for details)	
66	3576433	1	MOUNTING BAR	
67	86683480	2	BUTT CONNECTOR	
K1	2915184	1	BACK-UP ALARM SERVICE KIT, (includes items 17 thru 19, 55, 66 & 67)	

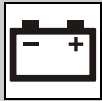
8042 S/N 0160014888 thru 0160029584
10042 S/N 0160014861 thru 0160029583
10054 S/N 0160014890 thru 0160029586

ELECTRICAL



Figure 10-2 Engine Harness (Continued)

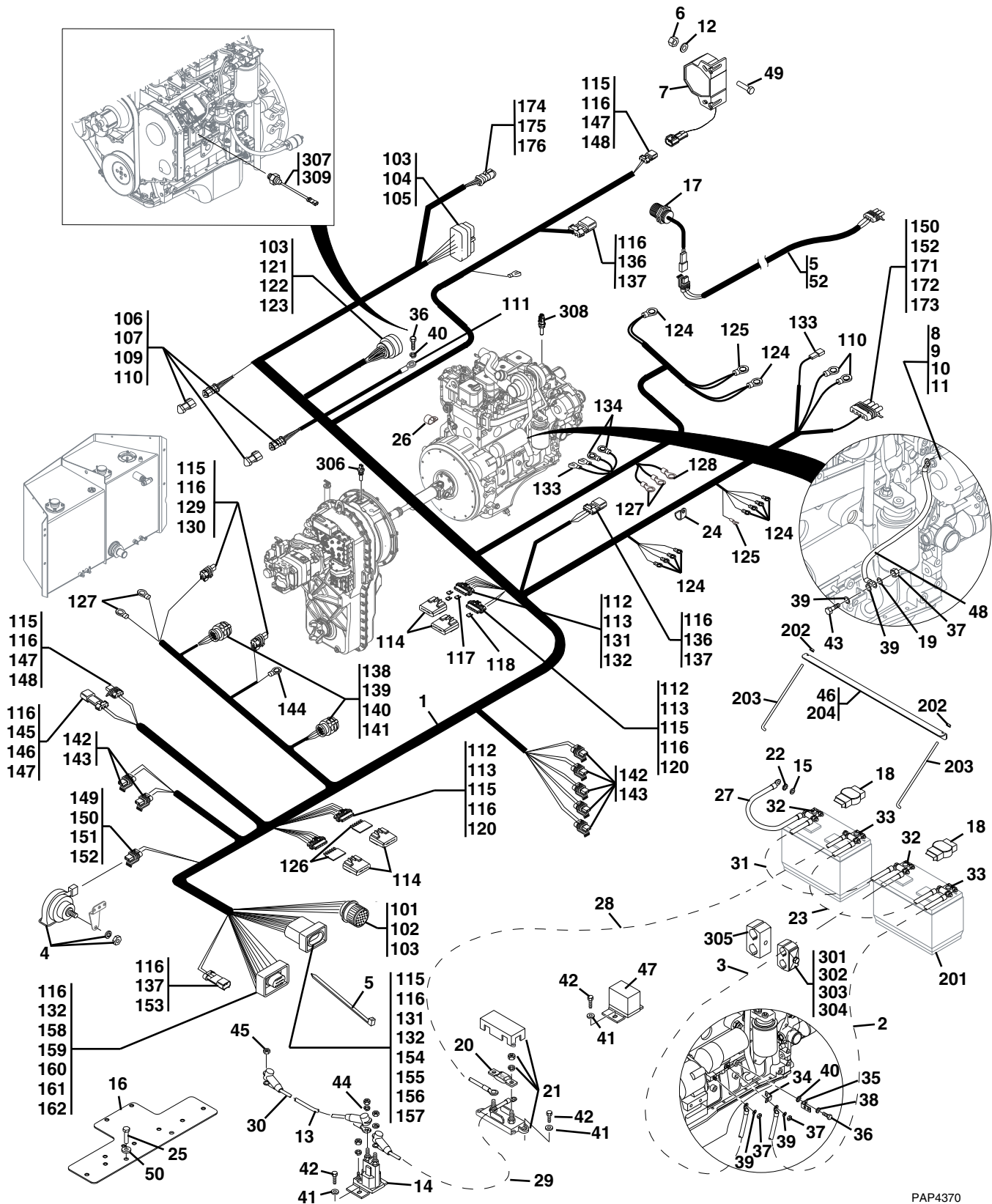
Item	Part Number	Qty.	Description	Rev.



ELECTRICAL

8042 & 10054 S/N 0160029593 thru 0160040218
 excluding 0160039850, 0160040126 thru 0160040129 & 0160040171
 10042 S/N 0160029607 thru 0160040218
 excluding 0160039850, 0160040126 thru 0160040129 & 0160040171

Figure 10-2 Engine Harness



PAP4370

8042 & 10054 S/N 0160029593 thru 0160040218
 excluding 0160039850, 0160040126 thru 0160040129 & 0160040171
 10042 S/N 0160029607 thru 0160040218
 excluding 0160039850, 0160040126 thru 0160040129 & 0160040171

ELECTRICAL

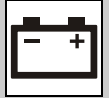
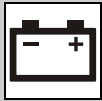


Figure 10-2 Engine Harness

Item	Part Number	Qty.	Description	Rev.
	1001092192	Ref	ELECTRICAL INSTALLATION, (8042 Before S/N 0160038967 including 0160038971 & 0160038984), (not available to order, see items 1 thru 51, item 53 and Figure 10-1 for service)	F
	1001107358	Ref	ELECTRICAL INSTALLATION, (8042 S/N 0160038967 & After excluding 0160038971 & 0160038984), (not available to order, see items 1 thru 51, item 53 and Figure 10-1 for service)	C
	1001092193	Ref	ELECTRICAL INSTALLATION, (10042 Before S/N 0160038368 including 0160038375), (not available to order, see items 1 thru 51, item 53 and Figure 10-1 for service)	G
	1001107359	Ref	ELECTRICAL INSTALLATION, (10042 S/N 0160038368 & After excluding 0160038375), (not available to order, see items 1 thru 51, item 53 and Figure 10-1 for service)	C
	1001092195	Ref	ELECTRICAL INSTALLATION, (10054 Before S/N 0160038740 excluding 0160021270, 0160036713, 0160036715, 0160036721 & 0160036723), (not available to order, see items 1 thru 51, item 53 and Figure 10-1 for service)	F
	1001107360	Ref	ELECTRICAL INSTALLATION, (10054 S/N 0160038740 & After including 0160021270, 0160036713, 0160036715, 0160036721 & 0160036723), (not available to order, see items 1 thru 51, item 53 and Figure 10-1 for service)	C
1	1001091900	1	ENGINE HARNESS, (includes items 101 thru 176)	G
2	7301835	1	POWER BATTERY CABLE	
3	7301836	1	GROUND BATTERY CABLE	
4	8270620	1	HORN	
5	8584001	AR	TIE WRAP	
6	8305624	2	HEX LOCKNUT, 1/4-20	
7	8270621	1	BACK-UP ALARM	
8	8310078	3	LOCKWASHER, M5	
9	8310077	3	HEX JAM NUT, M5-0.8	
10	8307022	1	LOCKWASHER, M8	
11	8305043	1	HEX NUT, M8-1.25	
12	8307109	2	FLAT WASHER, 1/4	
14	8225122	1	GRID HEATER RELAY, (includes nuts & lockwasher)	
15	8307112	1	FLAT WASHER, 1/2	
16	1001093290	1	RELAY MOUNTING BRACKET	
17		Ref	BOOM ANGLE SENSOR, (see Figure 2-1 for details)	
18	7301893	2	POSITIVE BATTERY TERMINAL INSULATOR	
19	8307023	2	LOCKWASHER, M10	
20	1001095336	1	MEGA FUSE, 150A	
21	8229260	1	MEGA FUSEBLOCK, (includes nuts & lockwasher)	
22	10701363	1	LOCKWASHER, 5/8, (external tooth)	
23	7301522	1	POSITIVE BATTERY CABLE	
24	8406105	1	TUBE CLIP	
25	8303745	2	HEX HD CAPSCREW, 5/16-18X5/8	
26	8406302	2	HOSE CLAMP, 1-1/4 DIA.	
27	7300343	1	NEGATIVE BATTERY CABLE	
28	7301524	1	GRID HEATER BATTERY-FUSE CABLE	
29	7301448	1	GRID HEATER FUSE RELAY CABLE	
30	7301525	1	GRID HEATER FUSE RELAY CABLE	
31	7301523	1	NEGATIVE BATTERY CABLE	
32	8270147	2	NEGATIVE BATTERY CLAMP	
33	8270148	2	POSITIVE BATTERY CLAMP	



ELECTRICAL

8042 & 10054 S/N 0160029593 thru 0160040218
 excluding 0160039850, 0160040126 thru 0160040129 & 0160040171
 10042 S/N 0160029607 thru 0160040218
 excluding 0160039850, 0160040126 thru 0160040129 & 0160040171

Figure 10-2 Engine Harness (Continued)

Item	Part Number	Qty.	Description	Rev.
34	6621412	1	STARTER TERMINAL, 90 DEGREES	
35	7300344	1	NEGATIVE STARTER BUS BAR	
36	8303533	2	HEX HD CAPSCREW, M12X1.75X20mm, PC8.8	
37	8305038	3	HEX NUT, M10X1.50	
38	8307220	1	PLAIN WASHER, M12	
39	8307221	5	PLAIN WASHER, M10	
40	8310650	4	LOCKWASHER, M12, (external tooth)	
41	8307219	6	PLAIN WASHER, M6	
42	8303545	6	HEX HD CAPSCREW, M6X1.0X16mm, PC8.8	
43	8303777	2	HEX HD CAPSCREW, M10X1.5X35mm, PC8.8	
44	8310431	2	LOCKWASHER, 5/16	
45	8305047	1	HEX NUT, M6X1.00	
46	1001091985	1	DUAL BATTERY HOLD DOWN, (includes items 201 thru 204)	A
47	77383377	1	STARTER RELAY, 75 AMP	
48	7310012	1	FUSIBLE LINK, 150AMP	
49	0641406	2	HEX HD CAPSCREW, 1/4-20X3/4, GR5,	
50	8307004	2	LOCKWASHER, 5/16	
51	7124451	1	CONDUIT (not shown)	
52	7112592	1	BOOM EXTEND INTERLOCK WIRE ASSY, (10054 only)	
53	8310687	2	STARWASHER, 6mm	
101	8220548	1	CONNECTOR	
102	77373229	14	SOCKET TERMINAL	
103	77363230	42	CAVITY PLUG	
104	8220549	1	CONNECTOR	
105	70021824	21	TERMINAL	
106	8220551	2	CONNECTOR	
107	70020891	6	TERMINAL	
109	8220552	2	RECEPTACLE	
110	70021825	2	SECONDARY LOCK	
111	70022735	1	RING TERMINAL	
112	8220944	4	CONNECTOR	
113	8220945	4	PACKARD TPA	
114	8220357	4	COVER	
115	8220086	28	TERMINAL	
116	8220081	48	CABLE SEAL	
117	8226234	3	MINI FUSE, 10A	
118	8229243	1	MINI FUSE, 7.5A	
120	8220088	8	CAVITY PLUG	
121	8220550	1	CONNECTOR	
122	77363246	1	CONNECTOR CAP	
123	70022736	5	TERMINAL	
124	8220010	10	RING TERMINAL	
125	8220164	1	RING TERMINAL	
126	8220366	2	DIODE BOARD	
127	8220008	4	TERMINAL	
128	8220042	1	RING TERMINAL	
129	8220883	2	CONNECTOR	
130	8220889	2	PACKARD TPA	
131	8220084	9	TERMINAL, FEMALE	

8042 & 10054 S/N 0160029593 thru 0160040218
 excluding 0160039850, 0160040126 thru 0160040129 & 0160040171
 10042 S/N 0160029607 thru 0160040218
 excluding 0160039850, 0160040126 thru 0160040129 & 0160040171

ELECTRICAL

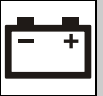
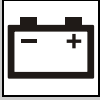


Figure 10-2 Engine Harness (Continued)

Item	Part Number	Qty.	Description	Rev.
132	8220089	11	CABLE SEAL	
133	8220051	3	TERMINAL	
134	8220012	2	TERMINAL	
135	8220175	1	TERMINAL	
136	8220951	2	CONNECTOR	
137	8220167	8	TERMINAL	
138	8220536	2	CONNECTOR	
139	70022737	8	TERMINAL	
140	70022738	8	CABLE SEAL	
141	70022739	24	SEAL PLUG	
142	8220937	7	CONNECTOR	
143	4460842	14	TERMINAL	
145	8220886	1	CONNECTOR	
146	8220087	1	TERMINAL	
147	8220890	3	PACKARD TPA	
148	8220885	2	CONNECTOR	
149	1001117068	1	CONNECTOR	
150	8220124	3	TERMINAL	
151	70022741	1	PACKARD TPA	
152	8220158	3	CABLE SEAL	
153	8220954	1	CONNECTOR	
154	8220927	1	CONNECTOR	
155	8220928	1	PACKARD TPA	
156	8220931	1	CONNECTOR SEAL	
157	8220932	1	SLIDE LOCK	
158	8220929	1	CONNECTOR	
159	8220930	1	PACKARD TPA	
160	8220161	1	TERMINAL	
161	8220123	1	CABLE SEAL	
162	8220887	14	TERMINAL	
164	80963056	1	CONNECTOR	
165	4460850	1	ERMINAL	
170	4460312	2	TERMINAL	
171	4460590	1	CONNECTOR	
172	4460591	1	PACKARD TPA LOCK	
173	4461215	3	CAVITY PLUG	
175	77363347	4	TERMINAL	
176	70022746	1	SEONDARY LOCK	
201	0400075	2	BATTERY, 12V	
202	3311508	2	LOCKNUT, 5/16-18	
203	90200382	2	BATTERY HOLD-DOWN BOLT	
204	91401299	1	BATTERY HOLD-DOWN	
301	8750027	1	TWIN CLAMP SET	
302	8769128	1	COVER PLATE	
303	8310009	1	HEX HD CAPSCREW, 5/16-18X2, GR5	
304	8307004	1	LOCKWASHER, 5/16	
305		Ref	TWIN CLAMP SET, (see Figure 8-9 for details)	
306	8223232	1	TRANSMISSION TEMPERATURE SWITCH	
307	4360609	1	LOW OIL PRESSURE SENDER	



ELECTRICAL

8042 & 10054 S/N 0160029593 thru 0160040218
excluding 0160039850, 0160040126 thru 0160040129 & 0160040171
10042 S/N 0160029607 thru 0160040218
excluding 0160039850, 0160040126 thru 0160040129 & 0160040171

Figure 10-2 Engine Harness (Continued)

Item	Part Number	Qty.	Description	Rev.
308	8223244	1	WATER TEMPERATURE SENDER	
309	4923283	1	PRESSURE SWITCH JUMPER	

8042 & 10054 S/N 0160029593 thru 0160040218
excluding 0160039850, 0160040126 thru 0160040129 & 0160040171
10042 S/N 0160029607 thru 0160040218
excluding 0160039850, 0160040126 thru 0160040129 & 0160040171

ELECTRICAL

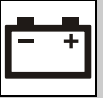
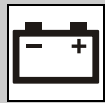


Figure 10-2 Engine Harness (Continued)

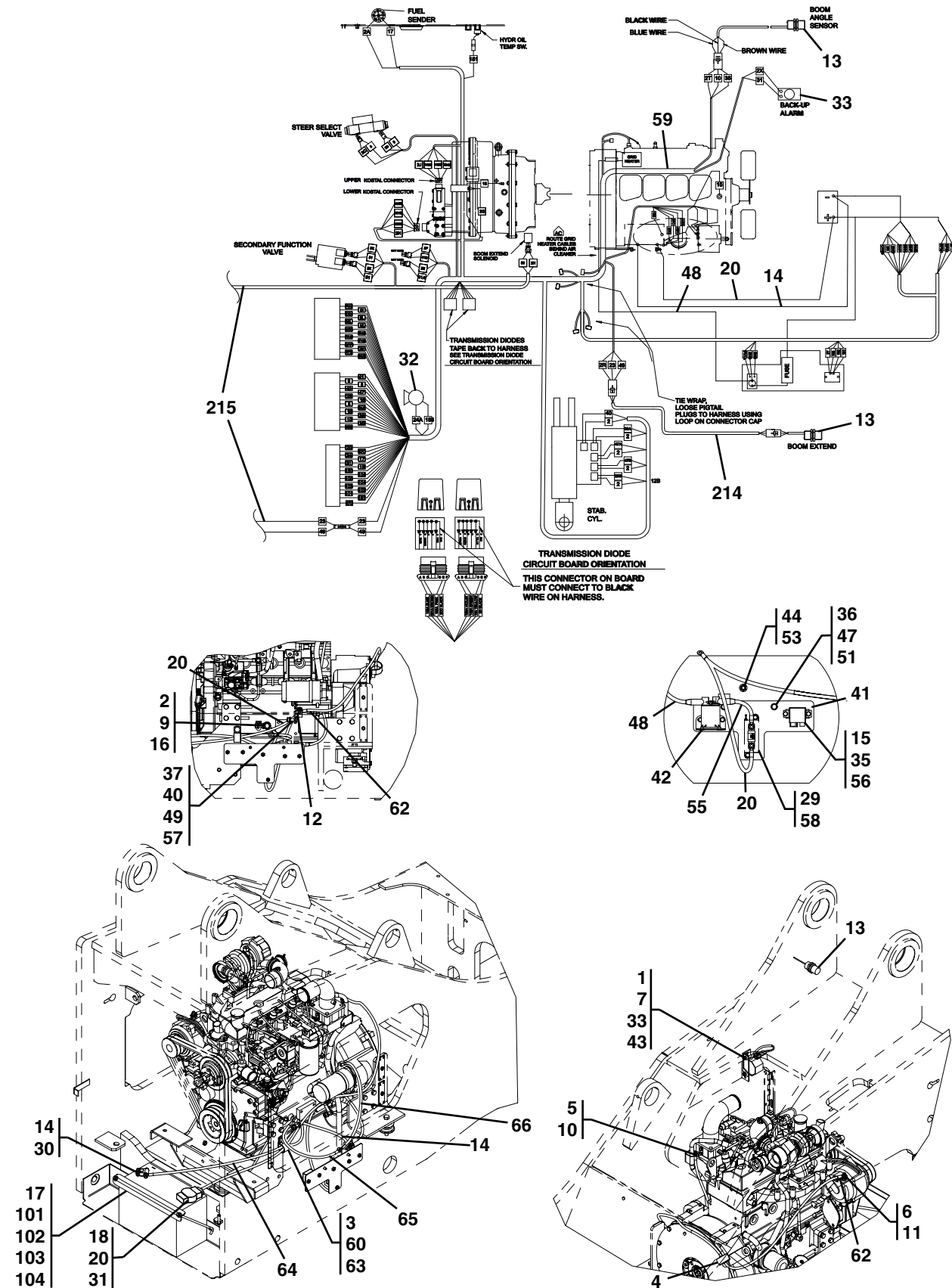
Item	Part Number	Qty.	Description	Rev.



ELECTRICAL

S/N 0160040220 & After
including 0160039850, 0160040126 thru 0160040129 &
0160040171

Figure 10-2 Engine Harness



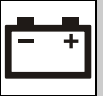
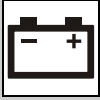


Figure 10-2 Engine Harness

Item	Part Number	Qty.	Description	Rev.
	1001119175	Ref	ELECTRICAL INSTALLATION, (8042) , (not available to order, see items 1 thru 63 and Figure 10-1 for service)	C
	1001119174	Ref	ELECTRICAL INSTALLATION, (10042) , (not available to order, see items 1 thru 63 and Figure 10-1 for service)	C
	1001117610	Ref	ELECTRICAL INSTALLATION, (10054) , (not available to order, see items 1 thru 63, item 214 and Figure 10-1 for service)	C
1	0641406	2	HEX HD CAPSCREW, 1/4-20X3/4, GR5	
2	0761012	1	HEX HD CAPSCREW, 10X25mm, GR8.8	
3	0791810	1	WHIZ-LOCK SCREW, 1/2-13X1-1/4	
4	1320131	1	HOSE CLAMP	
5	3290601	1	HEX NUT, 6X1mm	
6	3290801	1	HEX NUT, 8X1.25mm	
7	4711400	2	WASHER, 1/4	
9	4812000	1	WASHER, 10mm	
10	4831700	1	SPRING LOCKWASHER, 6mm	
11	4831900	1	SPRING LOCKWASHER, 8mm	
13	7099882	Ref	BOOM SENSOR, (8042 & 10042) , (no longer available, use 1001130307 for replacement)	
	7099882	2	BOOM SENSOR, (10054) , (no longer available, use 1001130307 for replacement)	
	1001130307	1	BOOM SENSOR, (8042 & 10042)	
14	1001130307	2	BOOM SENSOR, (10054)	
15	77383377	1	BOSCH STARTER RELAY	
17	1001108206	1	BATTERY HOLD DOWN INSTALLATION, (includes items 101 thru 104)	B
18	7301893	1	BATTERY TERMINAL INSULATOR	
20	1001114482	1	POSITIVE BATTERY CABLE	
29	8229260	1	FUSE HOLDER	
31	8270148	1	BATTERY CLAMP, POSITIVE	
32	8270620	1	HORN	
33	8270621	1	BACK-UP ALARM	
35	8303545	6	HEX HD CAPSCREW, 6X1X14mm	
36	8303745	2	HEX HD CAPSCREW, 5/16-18X5/8	
41	1001114671	1	RELAY MOUNT BRACKET	
42	1001117308	1	REALY	
43	8305624	2	HEX LOCKNUT, 1/4-20	
44	8305645	1	HEX LOCKNUT, 3/8-16	
47	8307004	2	LOCKWASHER, 5/16	
48	1001118107	1	GRID HEATER CABLE	
51	8307106	2	WASHER, 5/16	
53	8307110	1	WASHER, 3/8	
55	1001118129	1	GRID HEATER FUSE RELAY CABLE	
56	8307219	6	WASHER, 6mm	
58	1001118245	1	FUSE	
59	1001128397	1	ENGINE HARNESS	
60	8310523	1	HEX FLANGE NUT, 1/2-13	
62	1001114480	1	ALTERNATOR TO STARTER CABLE	
63	8406302	1	HOSE CLAMP	
64	1001128663	1	NEGATIVE BATTERY CABLE	
65	1001128665	1	CABLE ENGINE BLOCK GND	

**ELECTRICAL**

S/N 0160040220 & After
including 0160039850, 0160040126 thru 0160040129 &
0160040171

Figure 10-2 Engine Harness (Continued)

Item	Part Number	Qty.	Description	Rev.
66	1001128666	1	CABLE STARTER GND	
101	1001101043	1	BATTERY	
102	91401281	1	BATTERY HOLD DOWN BOLT	
103	91081640	2	BATTERY HOLD DOWN BOLT	
104	77143006	2	WHIZ-LOCK NUT, 5/16-18	
214	7112592	1	BOOM EXTEND HARNESS, (10054)	
215		Ref	HARNESS, (see Figure 10-3 for details)	

S/N 0160040220 & After
including 0160039850, 0160040126 thru 0160040129 &
0160040171

ELECTRICAL

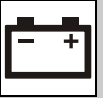


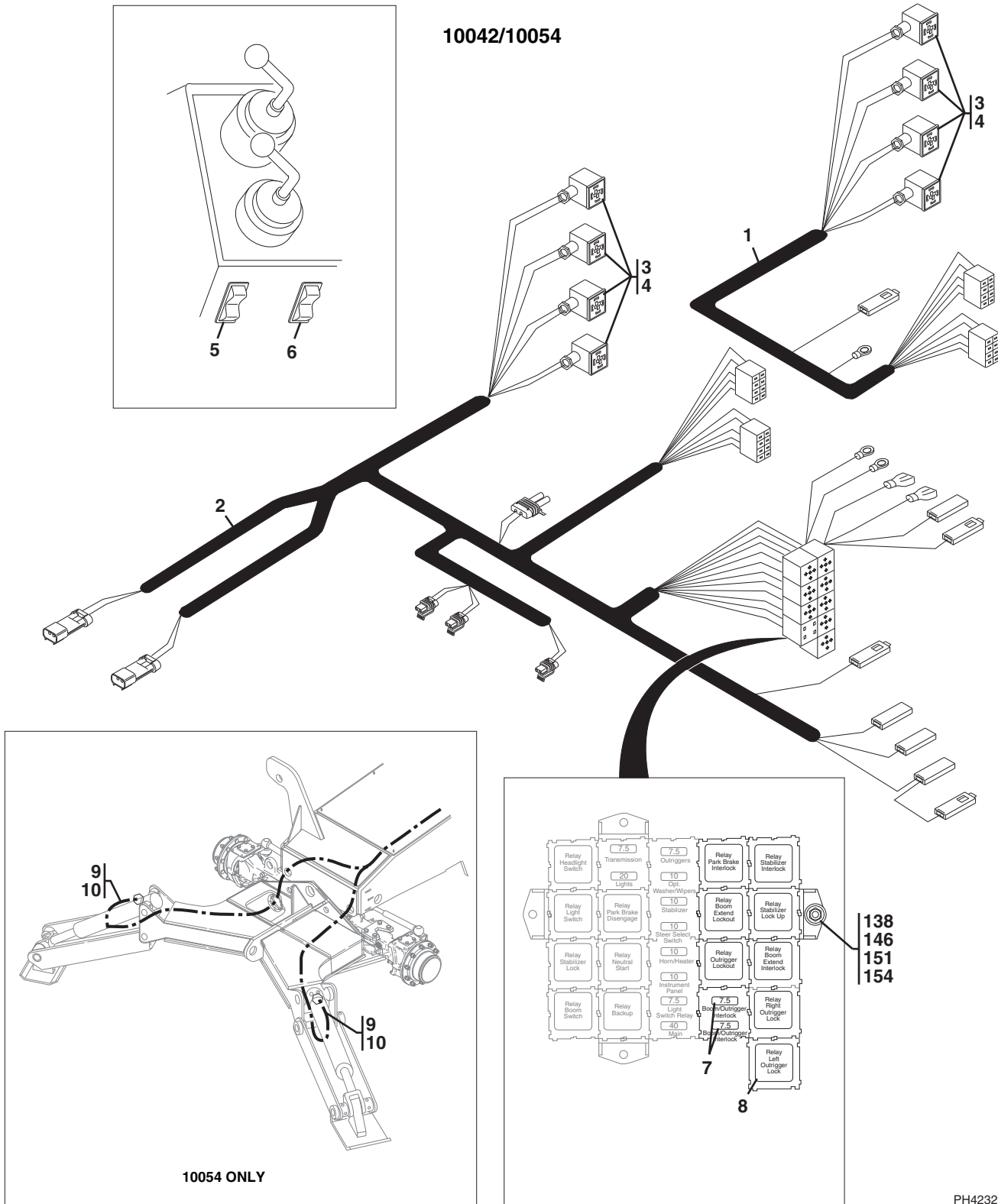
Figure 10-2 Engine Harness (Continued)

Item	Part Number	Qty.	Description	Rev.



ELECTRICAL

Figure 10-3 Outrigger Harness



PH4232

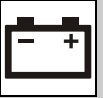
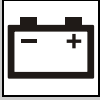


Figure 10-3 Outrigger Harness

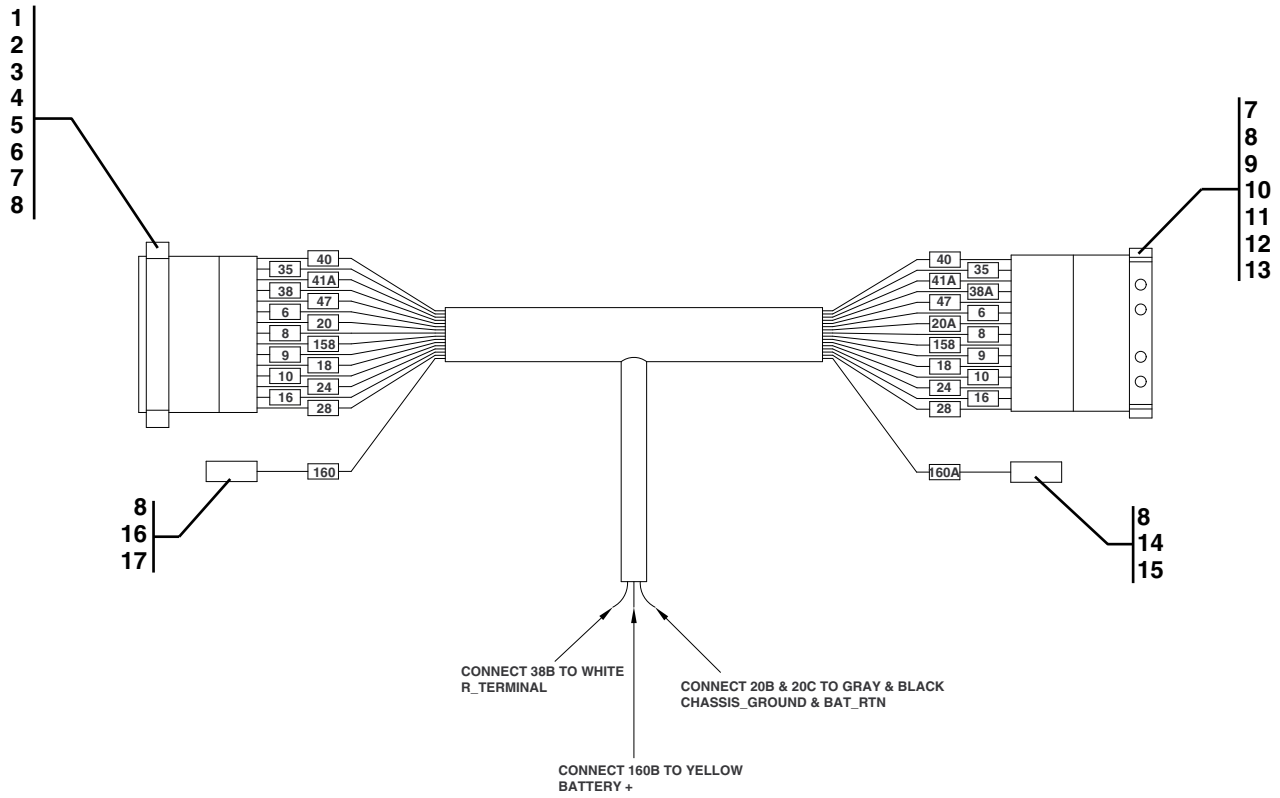
Item	Part Number	Qty.	Description	Rev.
1	7150723	1	WIRING HARNESS, (10042 only) , (includes item 3)	
2	7150722	1	LOGIC HARNESS, (10054 only) , (includes item 3)	
3	8220882	4	SOLENOID CONNECTOR, (includes item 4)	
4	8220926	4	CONNECTOR SEAL, (not shown)	
5	8223041	1	LEFT OUTRIGGER CONTROL SWITCH	
6	8223042	1	RIGHT OUTRIGGER CONTROL SWITCH	
7	8229233	2	FUSE, 7.5 AMP	
8	8225119	8	RELAY	
9	7139737	1	PRESSURE SWITCH KIT, (S/N 13198 thru 15097)	
10	8223536	2	PRESSURE SWITCH, (S/N 15098 thru 19987 & 0160002332 & After)	
138	8305002	1	HEX NUT, #10-24	
146	8307003	1	LOCKWASHER, #10	
151	8307106	1	WASHER, 5/16	
154	8307111	1	WASHER, #10	



ELECTRICAL

Before S/N 0160040220 excluding 0160039850,
0160040126 thru 0160040129 & 0160040171

Figure 10-4 Jumper Harness

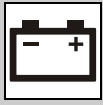


PAP4340



Figure 10-4 Jumper Harness

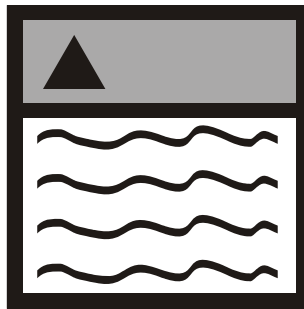
Item	Part Number	Qty.	Description	Rev.
	1001102448	1	JUMPER HARNESS, (includes all items)	A
1	8220927	1	CONNECTOR	
2	8220928	1	TPA, PACKARD	
3	8220931	1	PACKARD CONNECTOR SEAL	
4	8220932	1	PACKARD SLIDE LOCK	
5	8220084	1	FEMALE PACKARD TERMINAL	
6	8220086	14	PACKARD TERMINAL	
7	8220081	27	PACKARD CABLE SEAL	
8	8220089	4	PACKARD CABLE SEAL	
9	8220929	1	PACKARD CONNECTOR	
10	8220930	1	TPA, PACKARD	
11	8220161	1	MALE PACKARD TERMINAL	
12	8220123	1	PACKARD CABLE SEAL	
13	8220887	14	MALE PACKARD TERMINAL	
14	80963056	1	PACKARD CONNECTOR	
15	460850	1	MALE PACKARD TERMINAL	
16	80963055	1	PACKARD CONNECTOR	
17	4460790	1	FEMALE PACKARD TERMINAL	



ELECTRICAL

This Page Intentionally Left Blank

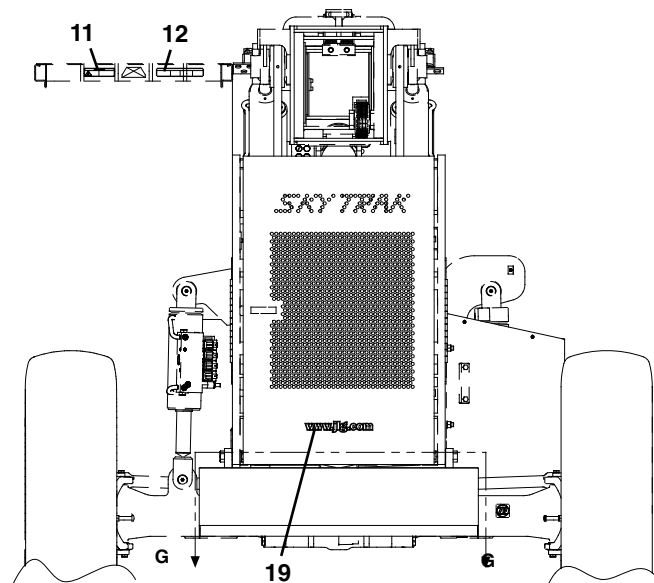
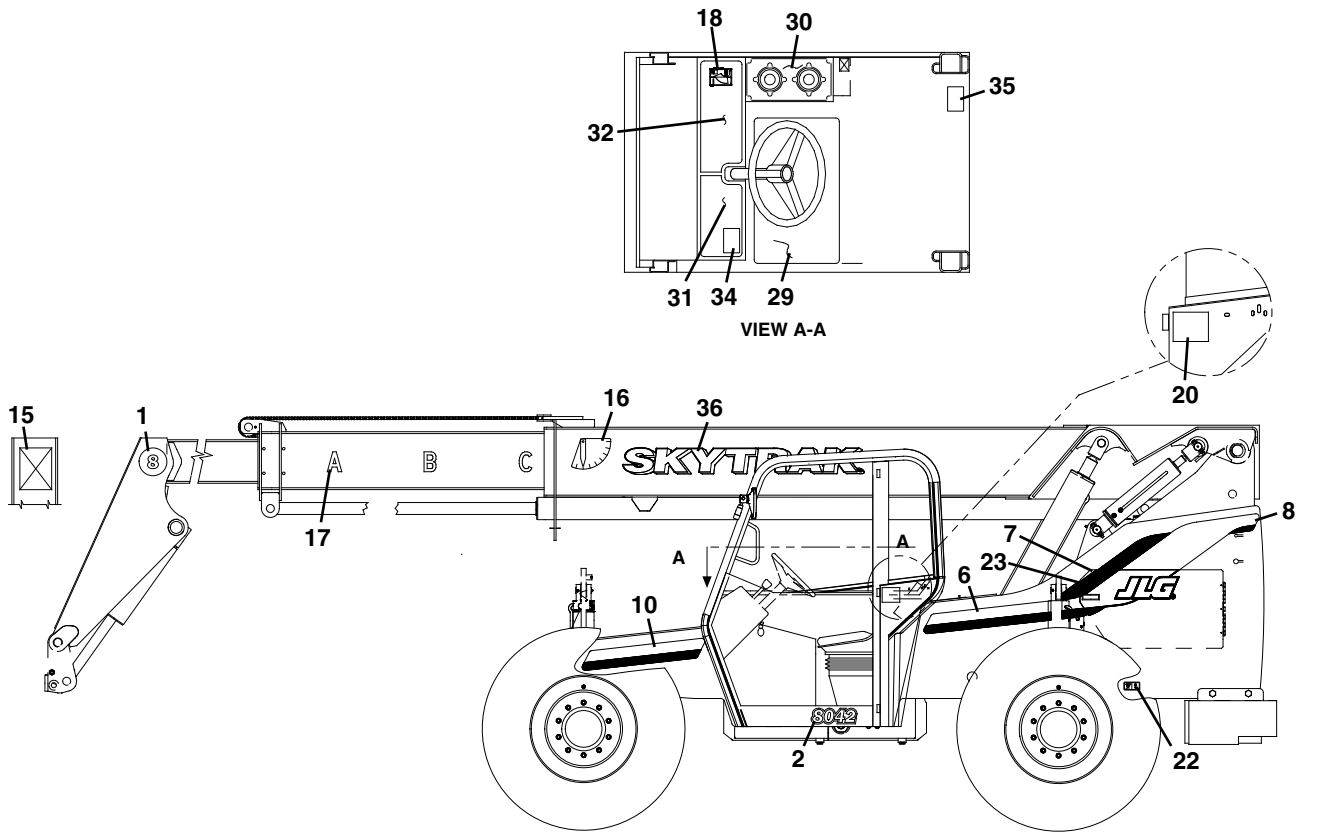
SECTION 11 DECALS





DECALS

Figure 11-1 Decals

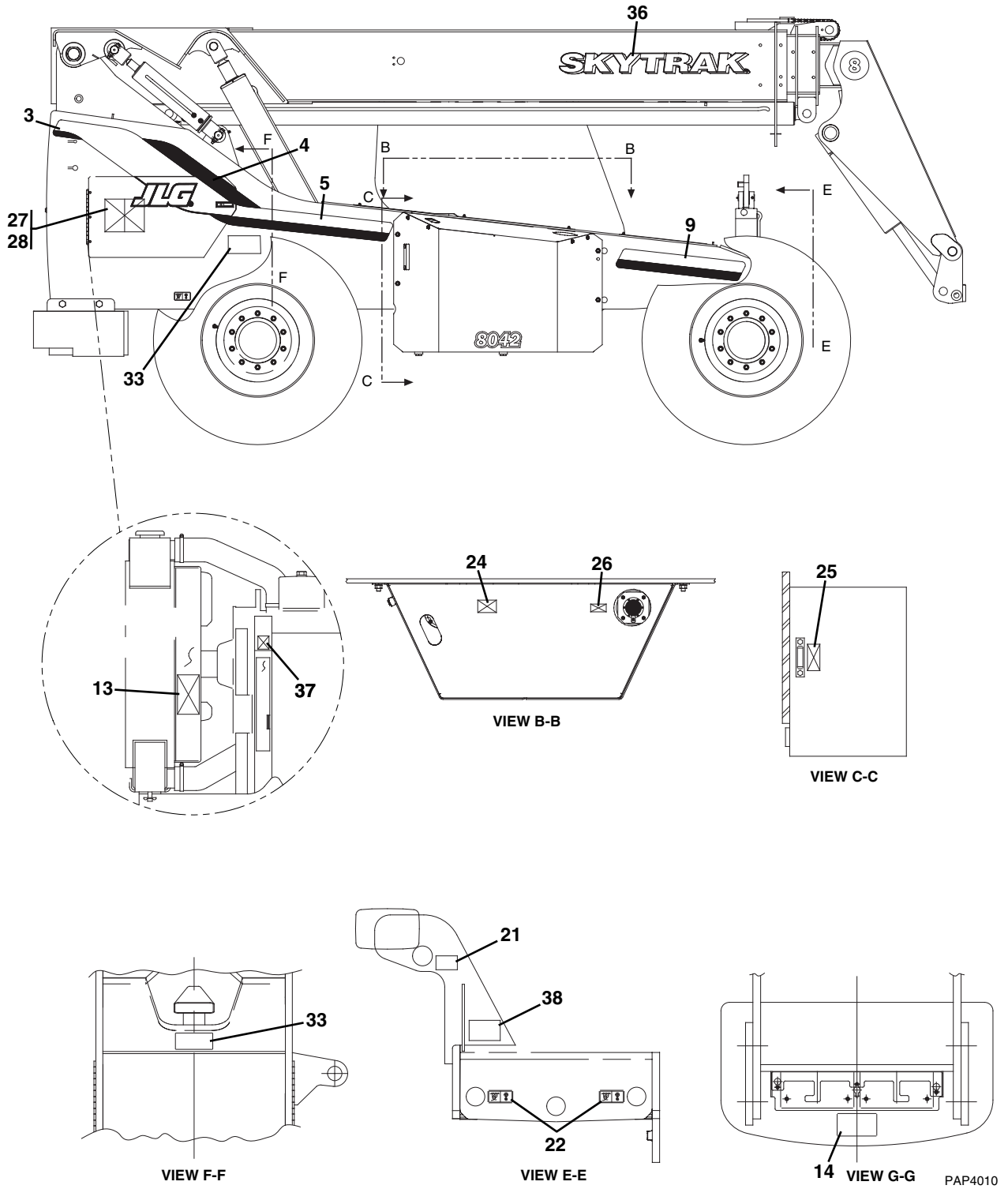


-
- K1
 - K2
 - K3
 - K4
 - K5
 - K6
 - K7
 - K8
 - K9
 - K10

PAP3940



Figure 11-1 Decals (Continued)





DECALS

Figure 11-1 Decals

Item	Part Number	Qty.	Description	Rev.
1	1706169	2	GOOSENECK DECAL, 8, (8042)	
	1706100	2	GOOSENECK DECAL, 10, (10042 & 10054)	
2	1706173	2	8042 MODEL NUMBER DECAL	
	1706174	2	10042 MODEL NUMBER DECAL	
	1706175	2	10054 MODEL NUMBER DECAL	
3	4110155	1	REAR FRAME STRIPE RH DECAL	
4	1706200	1	RH ENGINE DOOR STRIPE	
5	4110157	1	MID FRAME STRIPE RH DECAL	
6	4110158	1	MID FRAME STRIPE LH DECAL	
7	1706201	1	LH ENGINE DOOR STRIPE DECAL	
8	4110160	1	REAR FRAME STRIPE LH DECAL	
9	4110166	1	FRONT FRAME STRIPE RH DECAL	
10	4110167	1	FRONT FRAME STRIPE LH DECAL	
11	4108991	1	ELECTROCUTION HAZARD DECAL	
12	4110137	1	TIP OVER HAZARD DECAL	
13	4110184	2	MOVING PARTS HAZARD DECAL	
14	4110172	1	BATTERY HAZARD DECAL	
15	4110389	1	CARRYING PERSONNEL DECAL	
16	4105262	1	BOOM ANGLE INDICATOR DECAL	
17	4107442	1	BOOM EXTEND LETTERS DECAL	
18	7301676	1	LOAD CHART BOOKLET, (8042 S/N 13198 thru 19987 & 0160002332 thru 0160019859)	
	1706798	1	LOAD CHART BOOKLET, (8042 S/N 0160019946 thru 0160037768)	
	7301677	1	LOAD CHART BOOKLET, (10042 S/N 13198 thru 19987 & 0160002332 thru 0160019855)	
	1706799	1	LOAD CHART BOOKLET, (10042 S/N 0160020008 thru 0160037764)	
	7301678	1	LOAD CHART BOOKLET, (10054 S/N 13198 thru 19987 & 0160002332 thru 0160019851 excluding 0160019634 & 016019646)	
	1706800	1	LOAD CHART BOOKLET, (10054 S/N 0160019865 thru 0160037784 including 0160019634 & 016019646)	
19	1704885	1	WEBSITE DECAL	
20	3251813	1	USA DECAL	
21	NSS	1	S/N PLATE	
22	4110226	4	LIFT POINT/TIE DOWN DECAL	
23	4110242	1	FRAME STRIPE LH DECAL	
24	4100181	1	HYDRAULIC OIL FILL DECAL	
25	4108302	1	HYDRAULIC OIL LEVEL DECAL	
26	4105171	1	DIESEL FUEL FILL DECAL	
27	4110339	1	MAINTENANCE CHART DECAL	
28	4110217	1	LUBRICATION CHART DECAL, (8042)	
	4110186	1	LUBRICATION CHART DECAL, (10042)	
	4110218	1	LUBRICATION CHART DECAL, (10054)	
29	10139087	1	SAFETY WALK	
30	4107462	1	SIDE CONSOLE DECAL	
31	4110188	1	OVERLAY LH DECAL	
32	4110187	1	OVERLAY RH DECAL	
33	1706300	2	WARNING ETHER STARTING DECAL	
34	4107971	1	OUTRIGGER CONTACT DECAL, (10042 & 10054 only)	
35	91404299	1	ESCAPE DECAL	



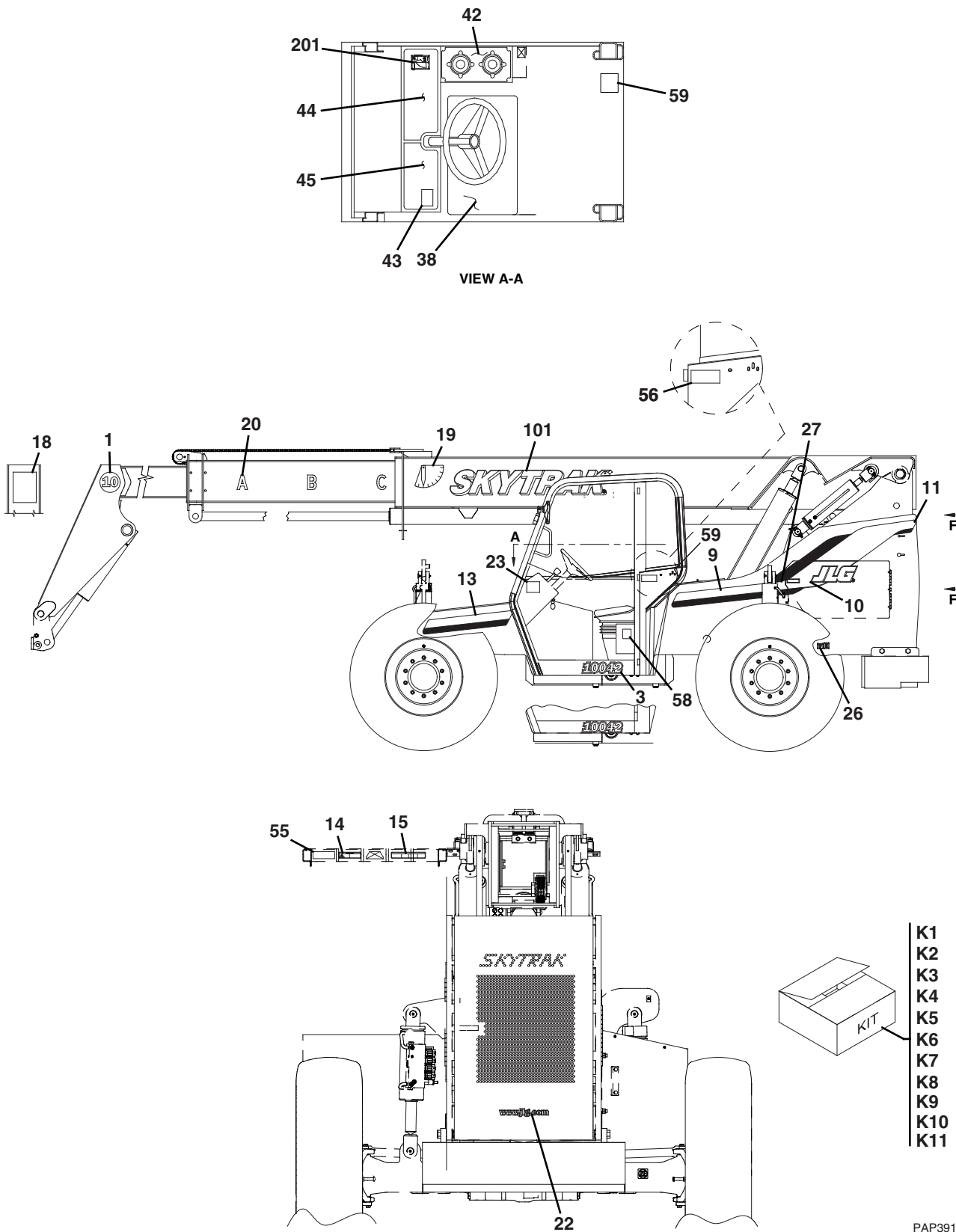
Figure 11-1 Decals (Continued)

Item	Part Number	Qty.	Description	Rev.
36	1706176	2	SKYTRAK BOOM DECAL	
37	4107901	1	DECAL ENGINE IDLE SETTING	
38	1001131271	1	PATENT TELEHANDLERS DECAL	
K1	7302189	1	UNITED RENTALS DECAL KIT	
K2	0274263	1	NATIONS RENT DECAL KIT	
K3	0274272	1	NES DECAL KIT	
K4	0274271	1	SUNSTATE DECAL KIT, (8042 & 10054 only)	
K5	0274547	1	H&E DECAL KIT	
K6	1001120632	1	SUNBELT DECAL KIT	
K7	1001098594	1	RSC DECAL KIT, (8042 & 10042 only)	
K8	1001098595	1	RSC DECAL KIT, (10054 only)	
K9	1001128530	1	HERTZ DECAL KIT	
K10	0274072	1	CUSTOMER DECAL KIT	



DECALS

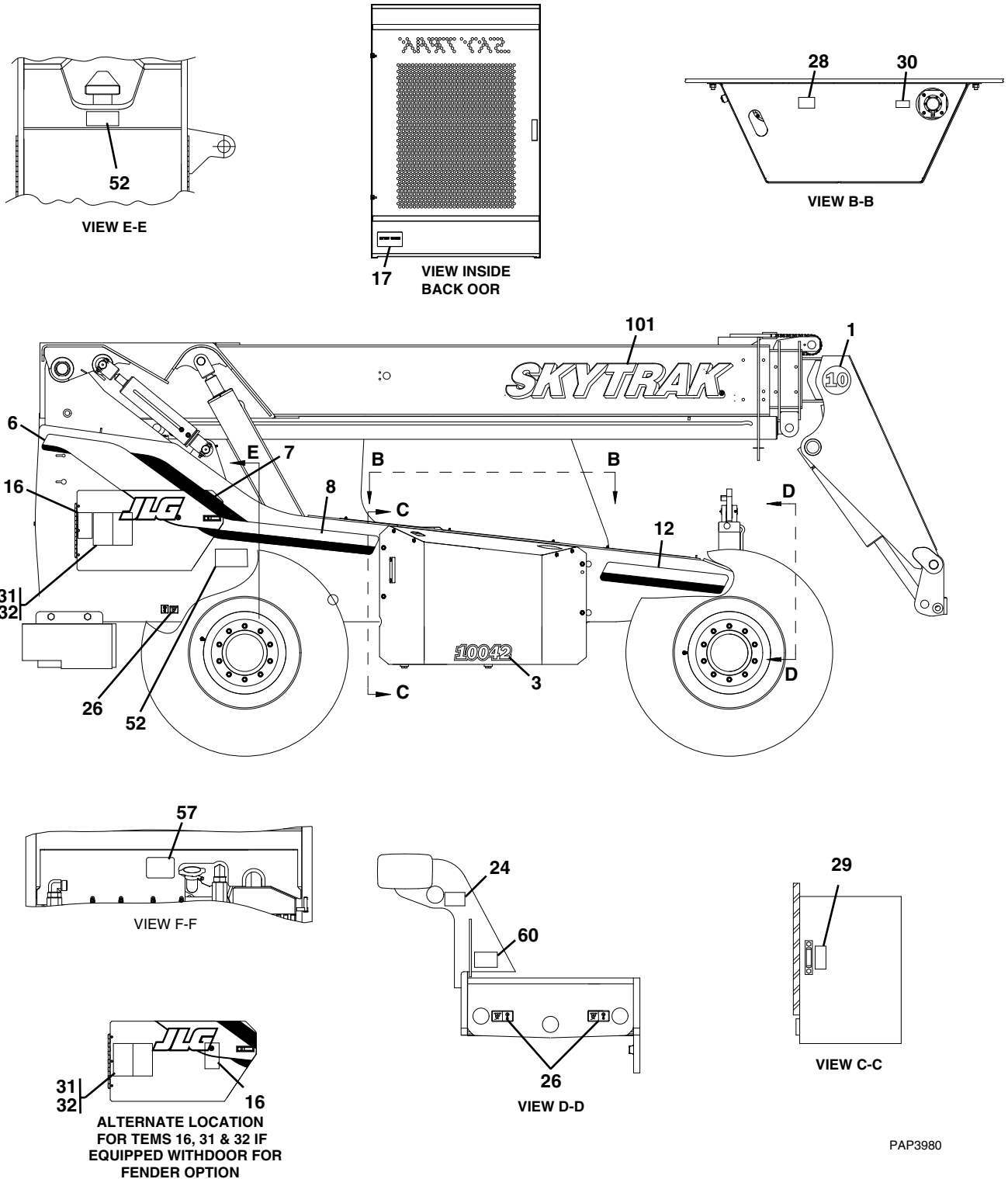
Figure 11-1 Decals



PAP3910



Figure 11-1 Decals (Continued)



PAP3980



DECALS

Figure 11-1 Decals

Item	Part Number	Qty.	Description	Rev.
1	1706169	2	GOOSENECK DECAL, 8, (8042)	
	1706100	2	GOOSENECK DECAL, 10, (10042 & 10054)	
3	1706173	2	8042 MODEL NUMBER DECAL	
	1706174	2	10042 MODEL NUMBER DECAL	
	1706175	2	10054 MODEL NUMBER DECAL	
6	4110155	1	REAR FRAME STRIPE RH DECAL	
7	1706200	1	RH ENG DOOR STRIPE DECAL	
8	4110157	1	MID FRAME STRIPE RH DECAL	
9	4110158	1	MID FRAME STRIPE LH DECAL	
10	1706201	1	LH ENG DOOR STRIPE DECAL	
11	4110160	1	REAR FRAME STRIPE LH DECAL	
12	4110166	1	FRONT FRAME STRIPE RH DECAL	
13	4110167	1	FRONT FRAME STRIPE LH DECAL	
14	1706299	1	ELECTROCUTION HAZARD DECAL, ENGLISH	
	1706284	1	ELECTROCUTION HAZARD DECAL, (ISO)	
15	1706306	1	TIP OVER HAZARD, ENGLISH	
	1706288	1	TIP OVER HAZARD, (ISO)	
16	1706301	2	MOVING PARTS HAZARD DECAL, ENGLISH	
	1706285	2	MOVING PARTS HAZARD DECAL, (ISO)	
17	1706296	1	BATTERY HAZARD DECAL, ENGLISH	
	1706281	1	BATTERY HAZARD DECAL, (ISO)	
18	1706298	1	CARRYING PERSONNEL DECAL, ENGLISH	
	1706282	1	CARRYING PERSONNEL DECAL, (ISO)	
19	4105262	1	BOOM ANGLE INDICATOR DECAL	
20	4107442	1	BOOM EXTEND LETTERS DECAL	
22	1704885	1	WEBSITE DECAL	
23	3251813	1	USA DECAL	
24	NSS	1	S/N PLATE	
26	4110226	4	LIFT POINT, TIE DOWN DECAL	
27	4110242	1	FRAME STRIPE LH DECAL	
28	4100181	1	HYDRAULIC OIL FILL DECAL	
29	4108302	1	HYDRAULIC OIL LEVEL DECAL	
30	4105171	1	DIESEL FUEL FILL DECAL	
31	4110339	1	MAINTENANCE CHART DECAL, (Before S/N 0160037804 excluding 0160037793 & 0160037799)	
	1001103930	1	MAINTENANCE CHART DECAL, (S/N 0160037804 thru 0160040197 including 0160037793 & 0160037799)	
	1001109596	1	MAINTENANCE CHART DECAL, (S/N 0160040212 & After)	
32	4110217	1	LUBRICATION CHART, (8042), (Before S/N 0160040224)	
	1001129510	1	LUBRICATION CHART, (8042), (S/N 0160040224 & After)	
	4110186	1	LUBRICATION CHART, (10042), (Before S/N 0160040126)	
	1001129509	1	LUBRICATION CHART, (10042), (S/N 0160040126 & After)	
	4110218	1	LUBRICATION CHART, (10054), (Before S/N 0160040220)	
	1001129508	1	LUBRICATION CHART, (10054), (S/N 0160040220 & After)	
38	10139087	1	SAFETY WALK	
42	4107462	1	SIDE CONSOLE DECAL	
43	4107971	1	OUTRIGGER CONTACT DECAL, ENGLISH	
	1706279	1	OUTRIGGER CONTACT DECAL, (ISO)	
44	4110187	1	RH OVERLAY DECAL, ENGLISH	



Figure 11-1 Decals (Continued)

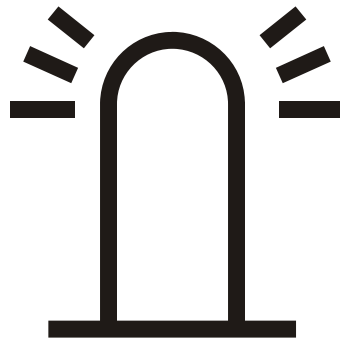
Item	Part Number	Qty.	Description	Rev.
	1001110280	1	RH OVERLAY DECAL, (ISO)	
45	4110188	1	LH OVERLAY DECAL, ENGLISH	
	1001110282		LH OVERLAY DECAL, (ISO)	
52	1706300	2	ETHER START WARNING DECAL, ENGLISH	
	1706098		ETHER START WARNING DECAL, (ISO)	
55	1706850	1	CRUSH HAZARD WARNING DECAL, ENGLISH	
	1001092877		CRUSH HAZARD WARNING DECAL, (ISO)	
56	1706768	1	NO RIDDERS DECAL, ENGLISH	
	1001092878	1	NO RIDDERS DECAL, (ISO)	
57	1001109053	1	COOLANT FILL DECAL	
58	1701640	1	MANUAL DECAL	
59	91404299	1	ESCAPE DECAL	
60	1001131271	1	PATENT TELEHANDLERS DECAL	
101	1706176	2	SKYTRAK BOOM DECAL	
201	1706798	1	LOAD CHART BOOKLET, (8042), ENGLISH UNIT, (S/N 0160019946 thru 0160037768)	
	1001106014	1	LOAD CHART BOOKLET, (8042), ENGLISH UNIT, (S/N 0160037799 & After)	
	1001122561	1	LOAD CHART BOOKLET, (8042), METRIC UNIT	
	1706799	1	LOAD CHART BOOKLET, (10042), ENGLISH UNIT, (S/N 0160020008 thru 0160037764)	
	1001106015	1	LOAD CHART BOOKLET, (10042), ENGLISH UNIT, (S/N 0160037798 & After)	
	1001122612	1	LOAD CHART BOOKLET, (10042), METRIC UNIT	
	1706800	1	LOAD CHART BOOKLET, (10054), ENGLISH UNIT, (S/N 0160019865 thru 0160037784)	
	1001106016	1	LOAD CHART BOOKLET, (10054), ENGLISH UNIT, (S/N 0160037793 & After)	
	1001121967	1	LOAD CHART BOOKLET, (10054), METRIC UNIT	
	1001110414	1	OPTIONAL LOAD CHART BOOKLET, (8042), ENGLISH UNIT, (S/N 0160037799 & After)	
	1001122562	1	OPTIONAL LOAD CHART BOOKLET, (8042), METRIC UNIT	
	1001110415	1	OPTIONAL LOAD CHART BOOKLET, (10042), ENGLISH UNIT, (S/N 0160037798 & After)	
	1001122613	1	OPTIONAL LOAD CHART BOOKLET, (10042), METRIC UNIT	
	1001110416	1	OPTIONAL LOAD CHART BOOKLET, (10054), ENGLISH UNIT, (S/N 0160037793 & After)	
	1001121968	1	OPTIONAL LOAD CHART BOOKLET, (10054), METRIC UNIT	
K1	7302189	1	UNITED RENTALS DECAL KIT	
K2	0274263	1	NATIONS RENT DECAL KIT	
K3	0274272	1	NES DECAL KIT	
K4	0274271	1	SUNSTATE DECAL KIT, (8042 & 10054 only)	
K5	0274547	1	H&E DECAL KIT	
K6	1001120632	1	SUNBELT DECAL KIT	
K7	1001098594	1	RSC DECAL KIT, (8042 & 10042 only)	
K8	1001098595	1	RSC DECAL KIT, (10054 only)	
K9	1001128530	1	HERTZ DECAL KIT	
K10	0274072	1	CUSTOMER DECAL KIT	
K11	1001140699	1	LEAVITT MACH DECAL KIT	



DECALS

This Page Intentionally Left Blank

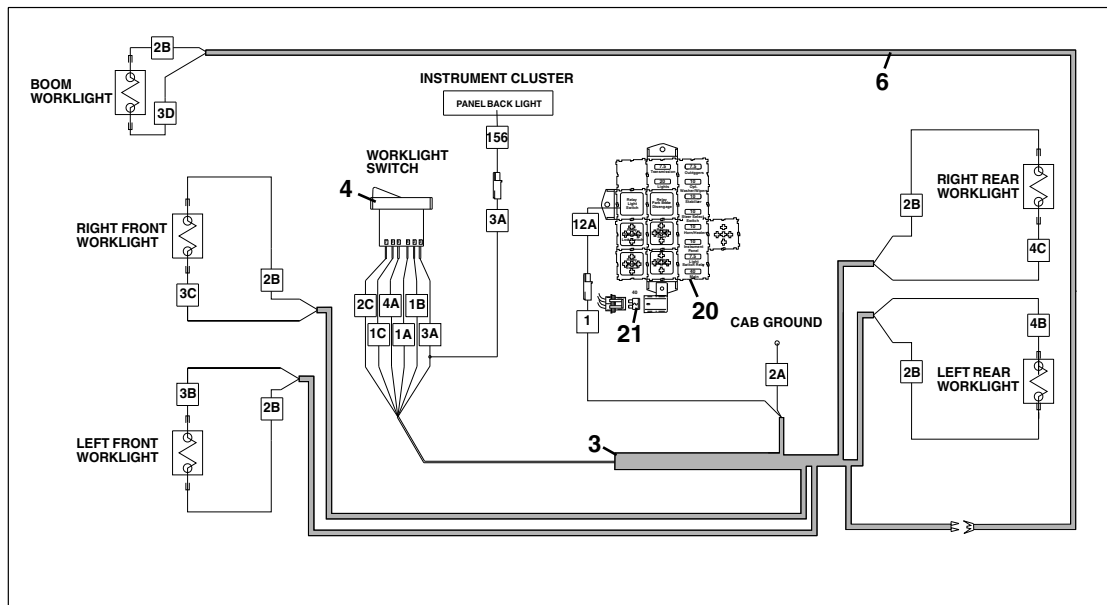
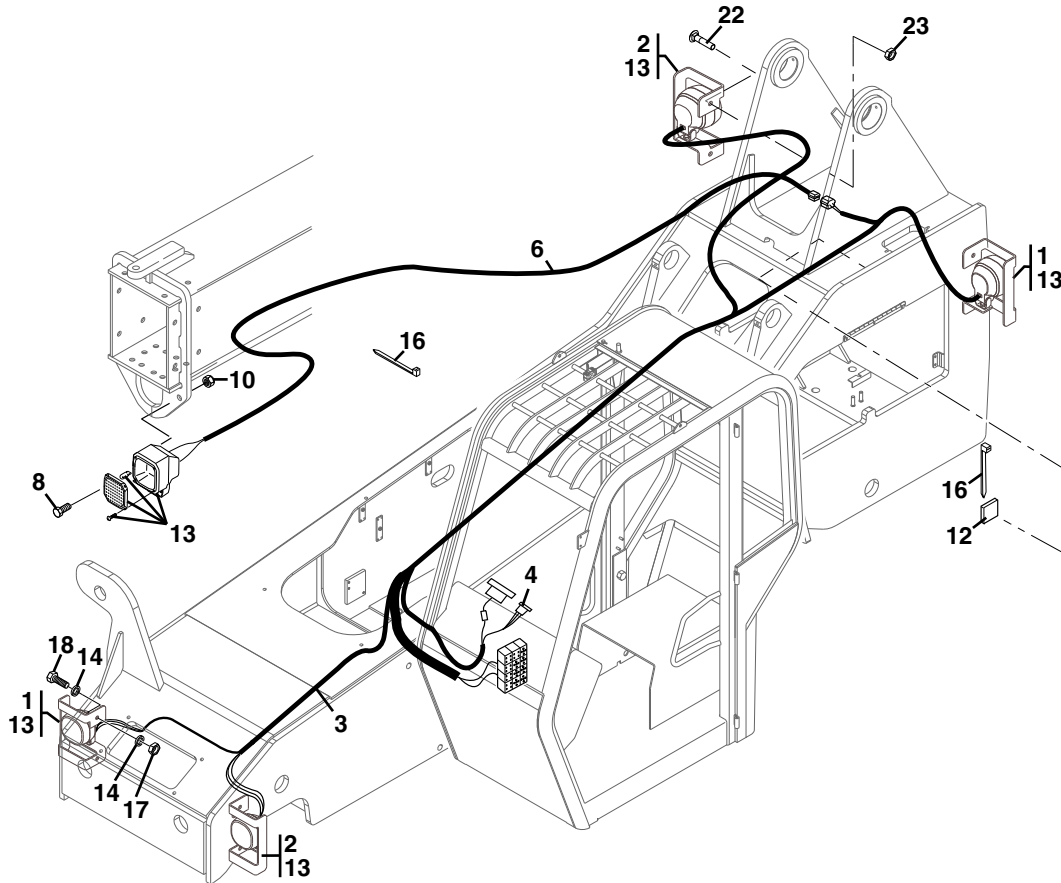
SECTION 12 OPTIONS





OPTIONS

Figure 12-1 Worklight System



PAP3990



Figure 12-1 Worklight System

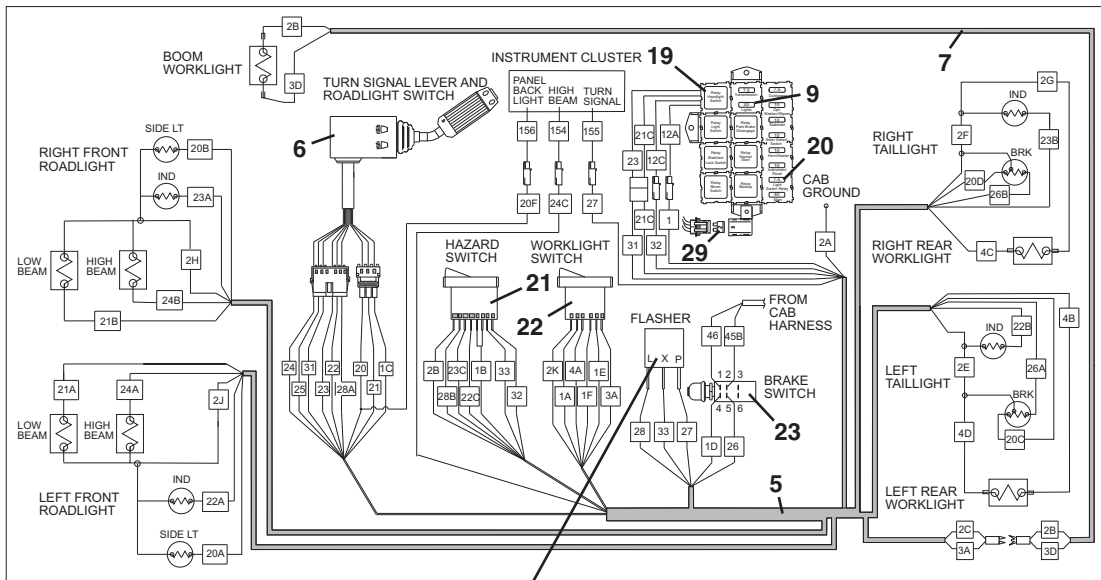
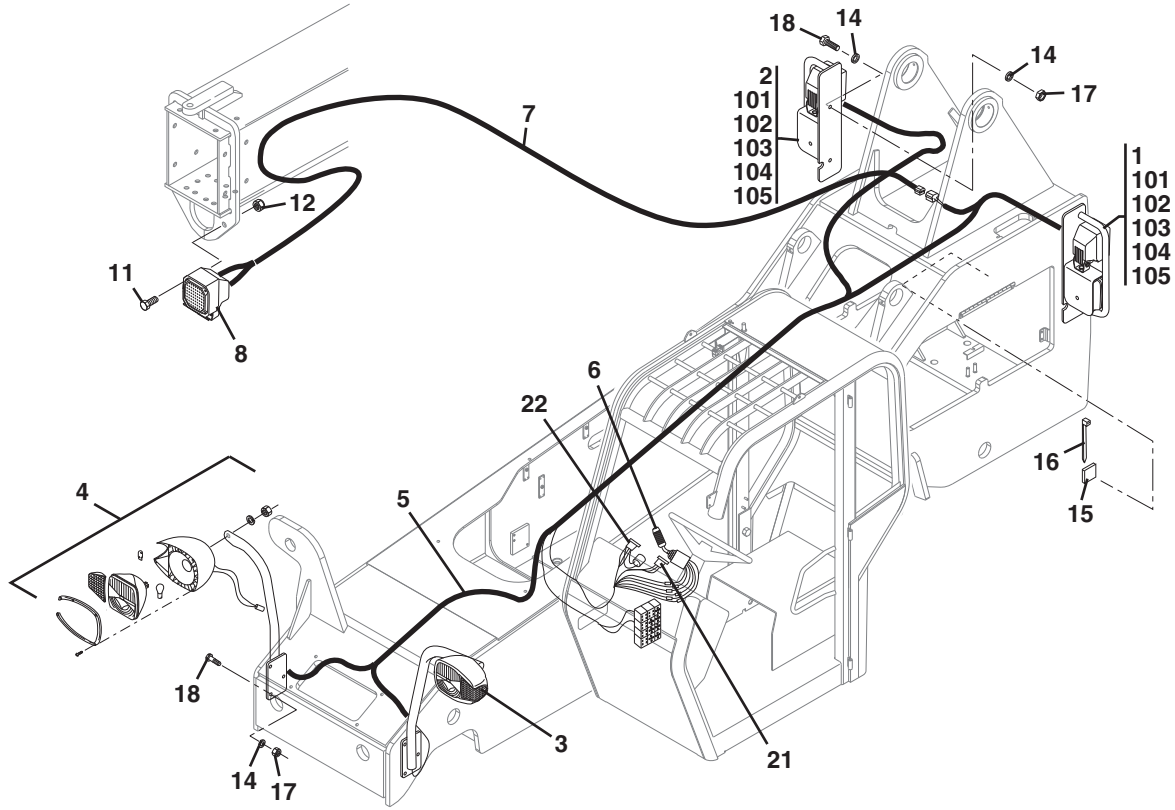
Item	Part Number	Qty.	Description	Rev.
	7150705	1	WORKLIGHT INSTALLATION, (includes all items)	I
1	7150673	2	WORKLIGHT ASSY, (front right & rear left sides), (includes item 13)	D
	1001097080	2	WORKLIGHT BRACKET, (front right & rear left)	
2	7150688	2	WORKLIGHT ASSY, (front left & rear right), (includes item 13)	D
	1001097079	2	WORKLIGHT BRACKET, (front left & rear right)	
3	7150707	1	WIRE HARNESS	
4	8223059	1	WORKLIGHT SWITCH	
6	7150730	1	BOOM WORKLIGHT HARNESS	
8	8303670	1	HEX HD CAPSCREW, 5/16-18	
10	8305626	1	LOCKNUT, 5/16-18	
12	8584018	2	TIE MOUNT	
13	7150687	Ref	WORKLIGHT, (8042 S/N 13198 thru 19987 & 0160002332 thru 0160030566), (10042 S/N 13198 thru 19987 & 0160002332 thru 0160030607), (10054 S/N 13198 thru 19987 & 0160002332 thru 0160030568), (no longer available, use 1001096314 for replacement)	
	8036216	4	WORKLIGHT LENS SCREW	
	8036217	Ref	WORKLIGHT LENS, (no longer available, use 1001096314 for replacement)	
	8036218	1	WORKLIGHT HALOGEN BULB	
	1001096314	5	WORKLIGHT, (8042 S/N 0160030567 & After), (10042 S/N 0160030608 & After), (10054 S/N 0160030569)	
14	8307204	8	FLAT WASHER, 3/8	
16	8584001	32	TIE WRAP	
17	8305645	4	HEX NUT, 3/8	
18	8303622	4	HEX HD CAPSCREW, 3/8X2	
20	8229233	1	LIGHT SWITCH FUSE, 7.5 AMP, (tan)	
21	8229238	1	WORKLIGHT FUSE, 40 AMP, (orange)	
22	88411094	4	CARRIAGE BOLT, 7/16-14 X 2 LG	
23	8310109	4	HEX LOCKNUT, 7/16-14	



OPTIONS

S/N 13198 thru 19987 &
0160002332 thru 0160015215

Figure 12-2 Roadlight System



25
26
27
28

PH2362



Figure 12-2 Roadlight System

Item	Part Number	Qty.	Description	Rev.
	7148700	1	ROADLIGHT INSTALLATION, (includes items 1 thru 29)	
1	7150679	1	LH ROADLIGHT ASSY, (includes items 101 thru 105)	AB
2	7150689	1	RH ROADLIGHT ASSY, (includes items 101 thru 105)	AB
3	7150699	1	LH ROADLIGHT BRACKET ASSY	
	7150685	1	LH ROADLIGHT BRACKET	
	7150702	1	FRONT ROADLIGHT	
	8036216	6	HEADLIGHT LENS SCREW	
	8036212	1	HEADLIGHT LENS	
	8036213	1	HEADLIGHT BULB, 12V 60/55W	
	8036214	1	BLINKER BULB, 12V 5W	
	8036215	1	WIRING HARNESS, (includes 6-way connector)	
	8036209	1	LEFT AMBER HEADLIGHT LENS	
4	7150716	1	RH ROADLIGHT BRACKET ASSY	
	7150717	1	RH ROADLIGHT BRACKET	
	7150703	1	FRONT ROADLIGHT	
	8036210	1	RIGHT AMBER HEADLIGHT LENS	
	8036216	6	HEADLIGHT LENS SCREW	
	8036212	1	HEADLIGHT LENS	
	8036213	1	HEADLIGHT BULB, 12V, 60/55W	
	8036214	1	BLINKER BULB, 12V, 5W	
	8036215	1	WIRING HARNESS, (includes 6-way connector)	
5	4923649	1	WIRE HARNESS	
6	7150742	1	TURN SIGNAL LEVER	
7	7150730	1	WORKLIGHT HARNESS	
8	7150687	Ref	WORKLIGHT, (no longer available, use 1001096314 on Figure 12-2 S/N 0160015216 & After for replacement)	
	8036216	4	WORKLIGHT LENS SCREW	
	8036217	Ref	WORKLIGHT LENS, (no longer available, use 1001096314 on Figure 12-2 S/N 0160015216 & After for replacement)	
	8036218	1	WORKLIGHT HALOGEN BULB, 12V	
9	8229236	1	FUSE, 20AMP	
11	8303670	1	HEX HD CAPSCREW, 5/16-18X1, GR8	
12	8305626	1	HEX LOCKNUT, 5/16-18	
14	8307204	14	FLAT WASHER, 3/8	
15	8584018	2	TIE MOUNT	
16	8584001	32	TIE WRAP	
17	8305645	10	HEX LOCKNUT, 3/8	
18	8303622	10	HEX HD CAPSCREW, 3/8X2	
19	8225119	1	RELAY	
20	8229233	1	FUSE, 7.5AMP	
21	8223060	1	HAZARD SWITCH	
22	8223059	1	WORKLIGHT SWITCH	
23	8223057	1	BRAKE LIGHT SWITCH	
25	8500203	1	FLASHER, 12V	
26	8303835	2	SLOTTED PAN HD SCREW, #10-24X1/2	
27	8310085	2	LOCKNUT, #10-24	
28	8307111	2	WASHER, #10	
29	8229238	1	FUSE, 40AMP	
101	7150681	1	LH WORKLIGHT BRACKET ASSY	



OPTIONS

S/N 13198 thru 19987 &
0160002332 thru 0160015215

Figure 12-2 Roadlight System (Continued)

Item	Part Number	Qty.	Description	Rev.
102	7150680	1	RH WORKLIGHT BRACKET ASSY	
	7150687	Ref	WORKLIGHT, (no longer available, use 1001096314 on Figure 12-2 S/N 0160015216 & After for replacement)	
	8036216	4	WORKLIGHT LENS SCREW	
	8036217	Ref	WORKLIGHT LENS, (no longer available, use 1001096314 on Figure 12-2 S/N 0160015216 & After for replacement)	
103	8036218	1	WORKLIGHT HALOGEN BULB, 12V	
	7150690	1	TAIL/INDICATOR LIGHT	
	NSS	2	TAIL LIGHT LENS SCREW	
	8036219	1	TAIL LIGHT LENS	
	8036221	1	BLINKER BULB, 12V, 21W	
	8036222	1	TAIL & BRAKE LIGHT BULB, 12V, 21/5W	
	8036220	1	WIRING HARNESS, (includes 4-way connector)	
104	8303745	1	HEX HD CAPSCREW, 5/16-18X5/8	
105	8305626	1	HEX LOCKNUT, 5/16-18	



Figure 12-2 Roadlight System (Continued)

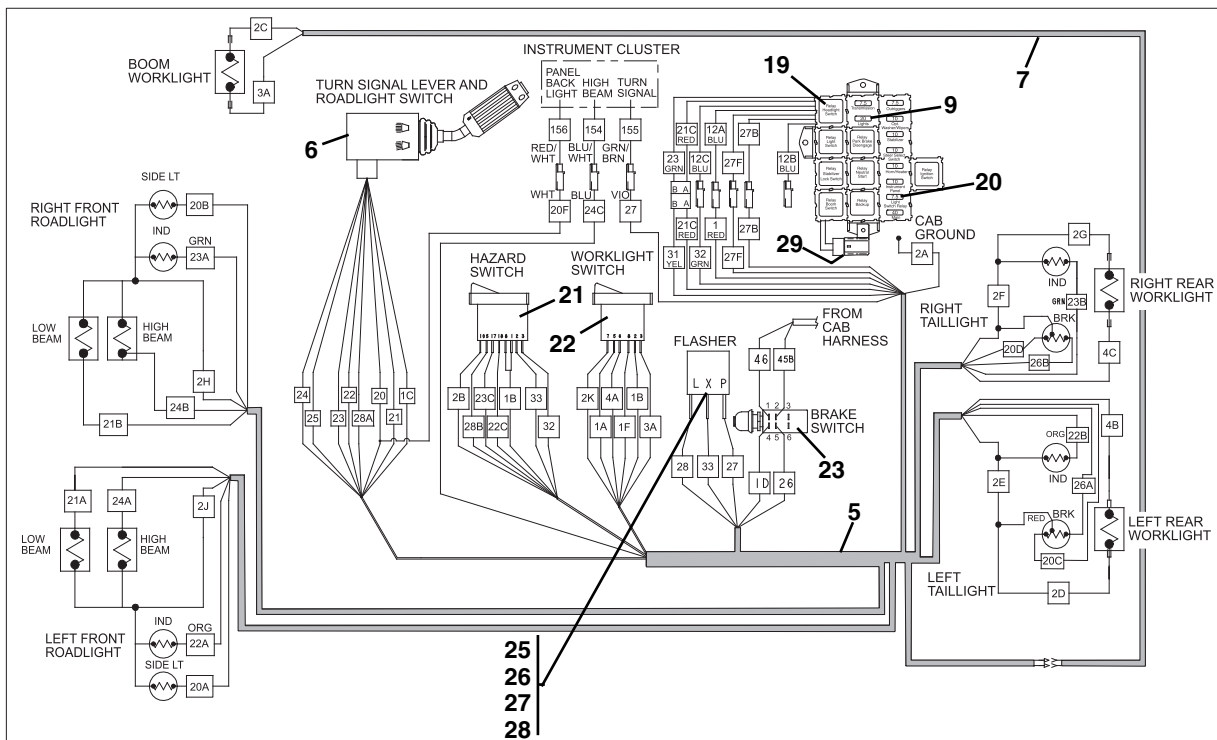
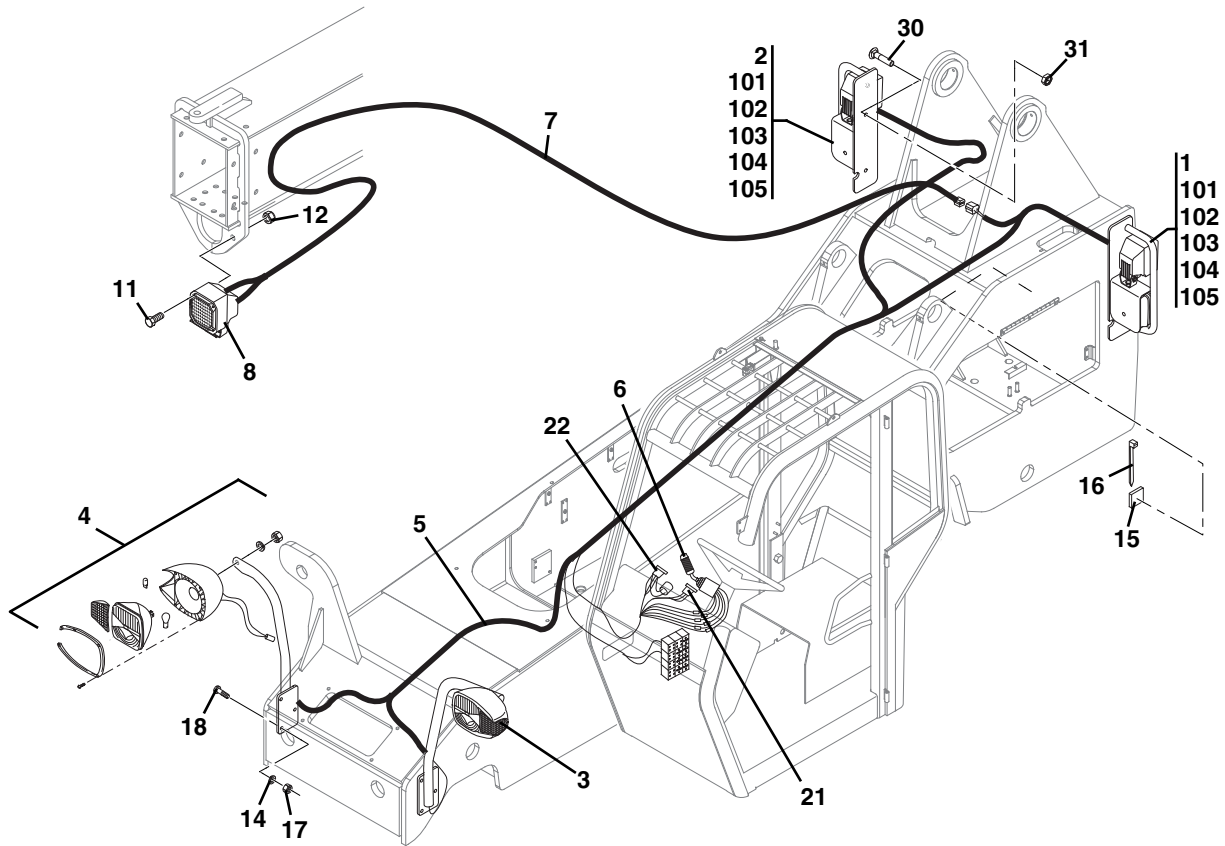
Item	Part Number	Qty.	Description	Rev.



OPTIONS

S/N 0160015216 & After

Figure 12-2 Roadlight System



PAP4000



Figure 12-2 Roadlight System

Item	Part Number	Qty.	Description	Rev.
	7150704	1	ROADLIGHT INSTALLATION, (includes items 1 thru 31)	J
1	7150679	1	LH ROADLIGHT ASSY, (includes items 101 thru 105)	C
2	7150689	1	RH ROADLIGHT ASSY, (includes items 101 thru 105)	C
3	7150699	1	LH ROADLIGHT BRACKET ASSY	
	7150685	1	LH ROADLIGHT BRACKET	
	7150702	1	FRONT ROADLIGHT, (torque nut to 7-15 lb-ft)	
	8036216	6	HEADLIGHT LENS SCREW	
	8036212	1	HEADLIGHT LENS	
	8036213	1	HEADLIGHT BULB, 12V 60/55W	
	8036214	1	BLINKER BULB, 12V 5W	
	8036215	1	WIRING HARNESS, (includes 6-way connector)	
	8036209	1	LEFT AMBER HEADLIGHT LENS	
4	7150716	1	RH ROADLIGHT BRACKET ASSY	
	7150717	1	RH ROADLIGHT BRACKET	
	7150703	1	FRONT ROADLIGHT, (torque nut to 7-15 lb-ft)	
	8036210	1	RIGHT AMBER HEADLIGHT LENS	
	8036216	6	HEADLIGHT LENS SCREW	
	8036212	1	HEADLIGHT LENS	
	8036213	1	HEADLIGHT BULB, 12V, 60/55W	
	8036214	1	BLINKER BULB, 12V, 5W	
	8036215	1	WIRING HARNESS, (includes 6-way connector)	
5	7150741	1	WIRE HARNESS	I
6	8223073	1	TURN SIGNAL LEVER	
7	7150730	1	WORKLIGHT HARNESS	
8	7150687	Ref	WORKLIGHT, (no longer available, use 1001096314 for replacement), (8042 S/N 13198 thru 19987 & 0160002332 thru 0160030566), (10042 S/N 13198 thru 19987 & 0160002332 thru 0160030607), (10054 S/N 13198 thru 19987 & 0160002332 thru 0160030568)	
	8036216	4	WORKLIGHT LENS SCREW	
	8036217	Ref	WORKLIGHT LENS, (no longer available, use 1001096314 for replacement)	
	8036218	1	WORKLIGHT HALOGEN BULB	
	1001096314	1	WORKLIGHT, (8042 S/N 0160030567 & After), (10042 S/N 0160030608 & After), (10054 S/N 0160030569)	
9	8229235	1	FUSE, 20AMP	
11	8303670	1	HEX HD CAPSCREW, 5/16X1, GR8	
12	8305626	1	HEX LOCKNUT, 5/16-18	
14	8307204	6	FLAT WASHER, 3/8	
15	8584018	2	TIE MOUNT	
16	8584001	32	TIE WRAP	
17	8305645	6	HEX LOCKNUT, 3/8	
18	8303622	6	HEX HD CAPSCREW, 3/8X2	
19	8225119	1	RELAY	
20	8229233	1	FUSE, 7.5AMP	
21	8223060	1	HAZARD SWITCH	
22	8223059	1	WORKLIGHT SWITCH	
23	8223057	1	BRAKE LIGHT SWITCH	
25	8500203	1	FLASHER, 12V	
26	8303835	2	SLOTTED PAN HD SCREW, #10-24X1/2	



OPTIONS

Figure 12-2 Roadlight System (Continued)

Item	Part Number	Qty.	Description	Rev.
27	8310085	2	LOCKNUT, #10-24	
28	8307111	2	WASHER, #10	
29	8229238	1	FUSE, 40AMP	
30	88411094	4	CARRIAGE BOLT, 7/16-14 X 2 LG	
31	8310109	4	HEX LOCKNUT, 7/16-14	
101	7150681	1	LH WORKLIGHT BRACKET ASSY	
	7150680	1	RH WORKLIGHT BRACKET ASSY	
102	7150687	Ref	WORKLIGHT, (no longer available, use 1001096314 for replacement), (8042 S/N 13198 thru 19987 & 0160002332 thru 0160030566), (10042 S/N 13198 thru 19987 & 0160002332 thru 0160030607), (10054 S/N 13198 thru 19987 & 0160002332 thru 0160030568)	
	8036216	4	WORKLIGHT LENS SCREW	
	8036217	Ref	WORKLIGHT LENS, (no longer available, use 1001096314 for replacement)	
	8036218	1	WORKLIGHT HALOGEN BULB	
	1001096314	1	WORKLIGHT, (8042 S/N 0160030567 & After), (10042 S/N 0160030608 & After), (10054 S/N 0160030569)	
103	7150690	1	TAIL/INDICATOR LIGHT	
	NSS	2	TAIL LIGHT LENS SCREW	
	8036219	1	TAIL LIGHT LENS	
	8036221	1	BLINKER BULB, 12V, 21W	
	8036222	1	TAIL & BRAKE LIGHT BULB, 12V, 21/5W	
	8036220	1	WIRING HARNESS, (includes 4-way connector)	
104	8303745	1	HEX HD CAPSCREW, 5/16-18X5/8	
105	8305626	1	HEX LOCKNUT, 5/16-18	



Figure 12-2 Roadlight System (Continued)

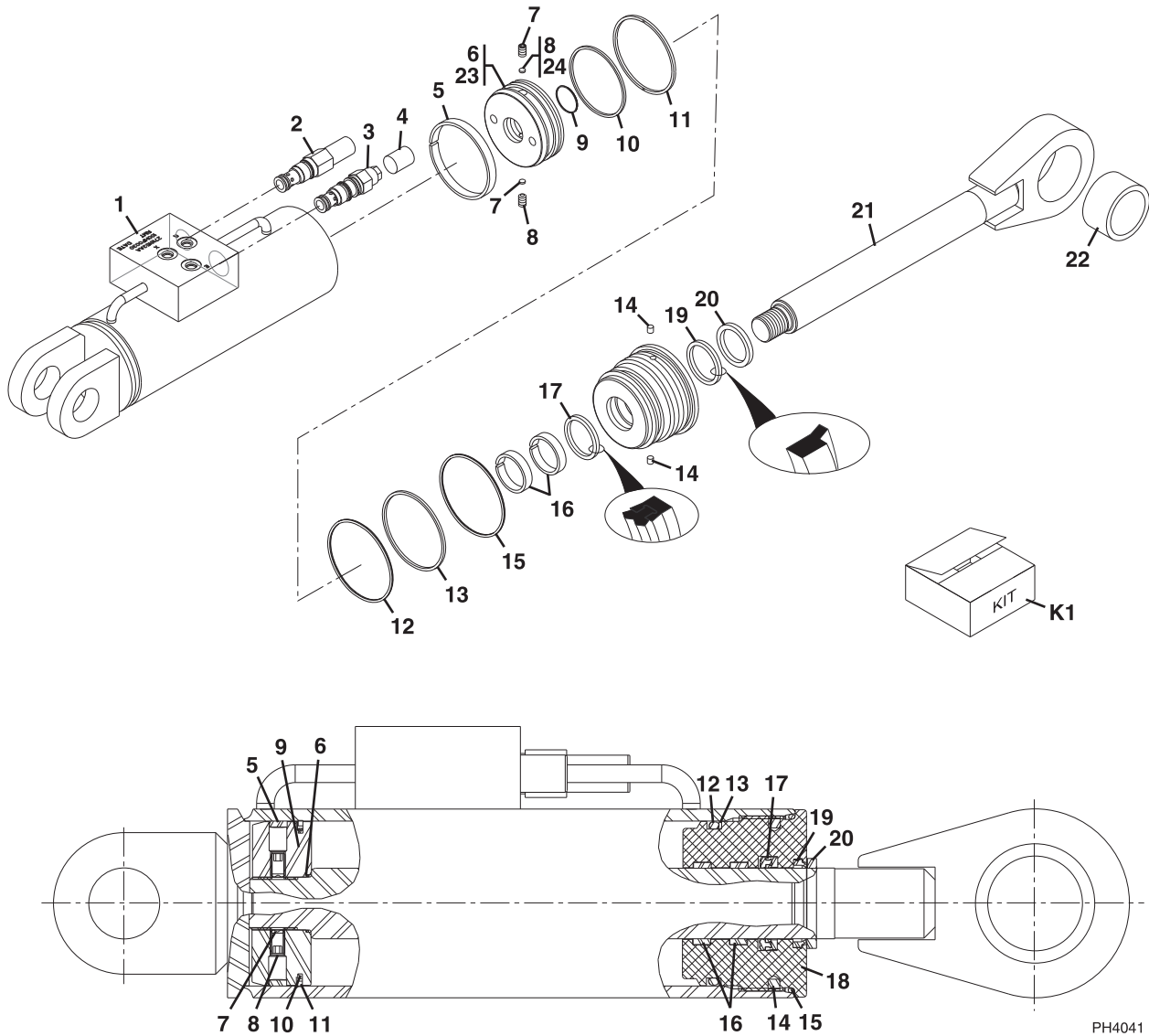
Item	Part Number	Qty.	Description	Rev.



OPTIONS

8042 S/N 13198 thru 19234
10042 S/N 13198 thru 19241
10054 S/N 13198 thru 19080

Figure 12-3 Swing Carriage Cylinder



8042 S/N 13198 thru 19234
 10042 S/N 13198 thru 19241
 10054 S/N 13198 thru 19080

OPTIONS



Figure 12-3 Swing Carriage Cylinder

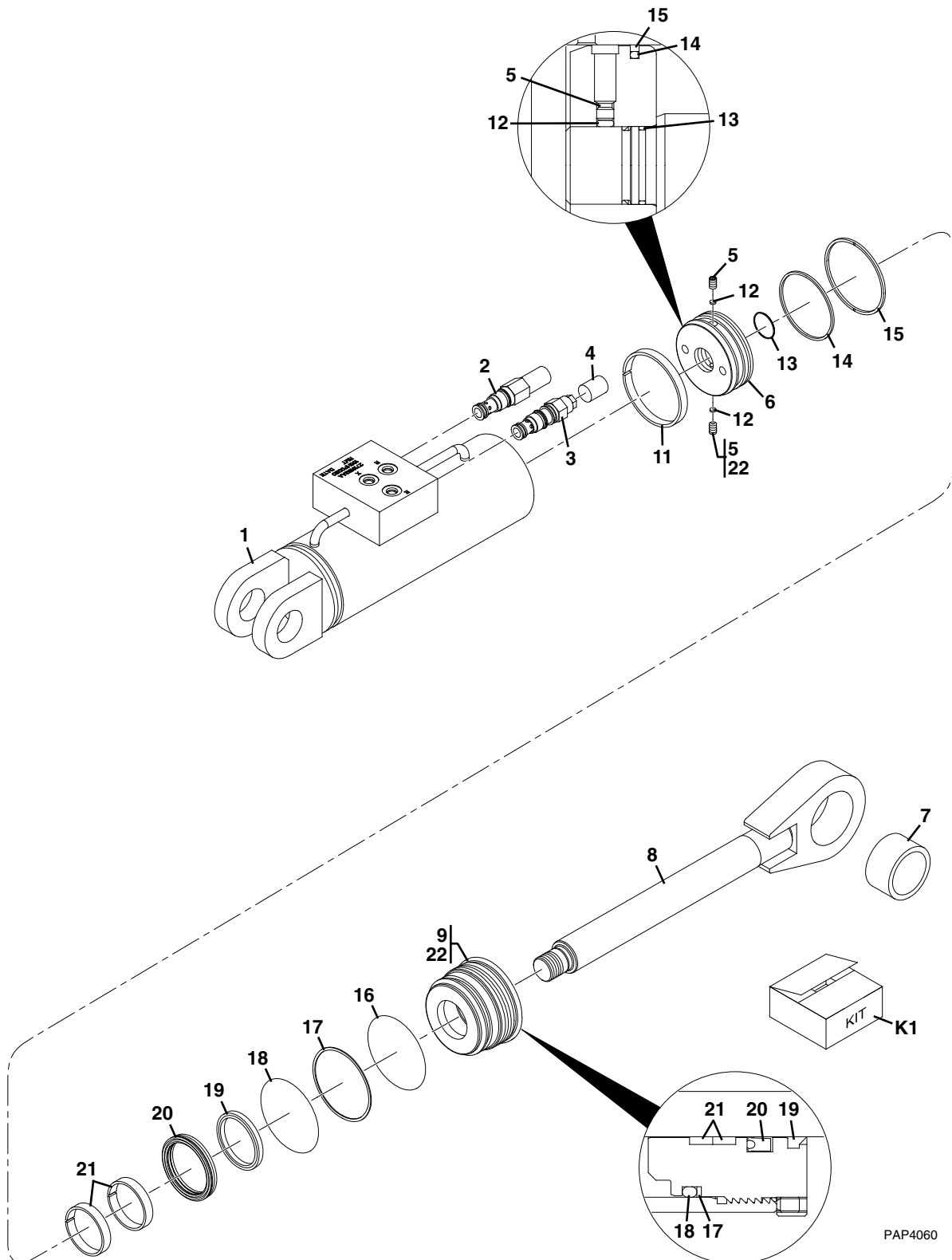
Item	Part Number	Qty.	Description	Rev.
	2716153	1	SWING CARRIAGE CYLINDER, (includes items 1 thru 22)	
1	NSS	1	TUBE WELDMENT	
2	70020428	1	RELIEF VALVE CARTRIDGE, (torque 30-35 lb-ft)	
	7024574	1	SEAL KIT	
3	8033786	1	COUNTERBALANCE VALVE, (torque 30-35 lb-ft)	
	8025655	1	SEAL KIT	
4	NSS	1	CAP	
5	Use Kit K1	1	PRECISION WEARBAND	
6	8035863	1	PISTON, (Loctite® & torque to 440-500 lb-ft)	
7	8035536	2	SET SCREW, 5/16-18X.5	
8	Use Kit K1	2	LOCKING INSERT, (Loctite® & torque to 85-95 lb-ft)	
9	Use Kit K1	1	O-RING	
10	Use Kit K1	1	SQUARE RING	
11	Use Kit K1	1	SQUARE PISTON SEAL	
12	Use Kit K1	1	O-RING	
13	Use Kit K1	1	BACK-UP RING	
14	Use Kit K1	2	LOCKING INSERT	
15	Use Kit K1	1	O-RING	
16	Use Kit K1	2	PRECISION WEARBAND	
17	Use Kit K1	1	DEEP Z-SEAL	
18	8035862	1	HEAD GLAND, (torque 250-300 lb-ft)	
19	Use Kit K1	1	WIPER SEAL	
20	Use Kit K1	1	SQUARE RING	
21	8035861	1	ROD WELDMENT	
22	8065062	1	DURALON JOURNAL BEARING	
23	8526011	AR	LOCTITE® 271™, (apply to item 6)	
24	8526007	AR	LOCTITE® 242™, (apply to item 8)	
K1	8035830	1	SEAL KIT, (includes items 5, 8 thru 17, 19 & 20)	



OPTIONS

8042 S/N 19235 thru 19987 & 0160002332 & After
10042 S/N 19242 thru 19987 & 0160002332 & After
10054 S/N 19081 thru 19987 & 0160002332 & After

Figure 12-3 Swing Carriage Cylinder



PAP4060



Figure 12-3 Swing Carriage Cylinder

Item	Part Number	Qty.	Description	Rev.
	2717200	1	SWING CARRIAGE CYLINDER, (includes items 1 thru 21)	C
1	8035864	1	TUBE WELDMENT	
2	70020428	1	RELIEF VALVE CARTRIDGE, 2000 PSI, (torque to 30-35 lb-ft)	
	7024574	1	SEAL KIT	
3	8033786	1	COUNTERBALANCE VALVE, 3000 PSI, (torque to 30-35 lb-ft)	
	8025655	1	SEAL KIT	
4	70021812	1	CAP	
5	8035536	2	SET SCREW, 1/2-20X1/4, (Loctite® & torque to 85-95 lb-ft)	
6	8035863	1	PISTON	
7	70022046	1	DURALON JOURNAL BEARING	
8	8035861	1	ROD WELDMENT	
9	8035862	1	HEAD GLAND, (Loctite® & torque to 250-350 lb-ft)	
11	Use Kit K1	1	PRECISION WEARBAND	
12	Use Kit K1	2	NYLON BALL	
13	Use Kit K1	1	O-RING	
14	Use Kit K1	1	O-RING	
15	Use Kit K1	1	PISTON SEAL	
16	Use Kit K1	1	O-RING	
17	Use Kit K1	1	BACK-UP RING	
18	Use Kit K1	1	O-RING	
19	Use Kit K1	1	WIPER RING	
20	Use Kit K1	1	Z-SEAL	
21	Use Kit K1	2	PRECISION WEARBAND	
22	8526007	AR	LOCTITE® 242™, (apply to items 5 & 9)	
K1	8036783	1	SEAL KIT, (includes items 11 thru 21)	



OPTIONS

S/N 13198 thru 19987
& 0160002332 & After

Figure 12-4 Side Tilt Carriage Cylinder

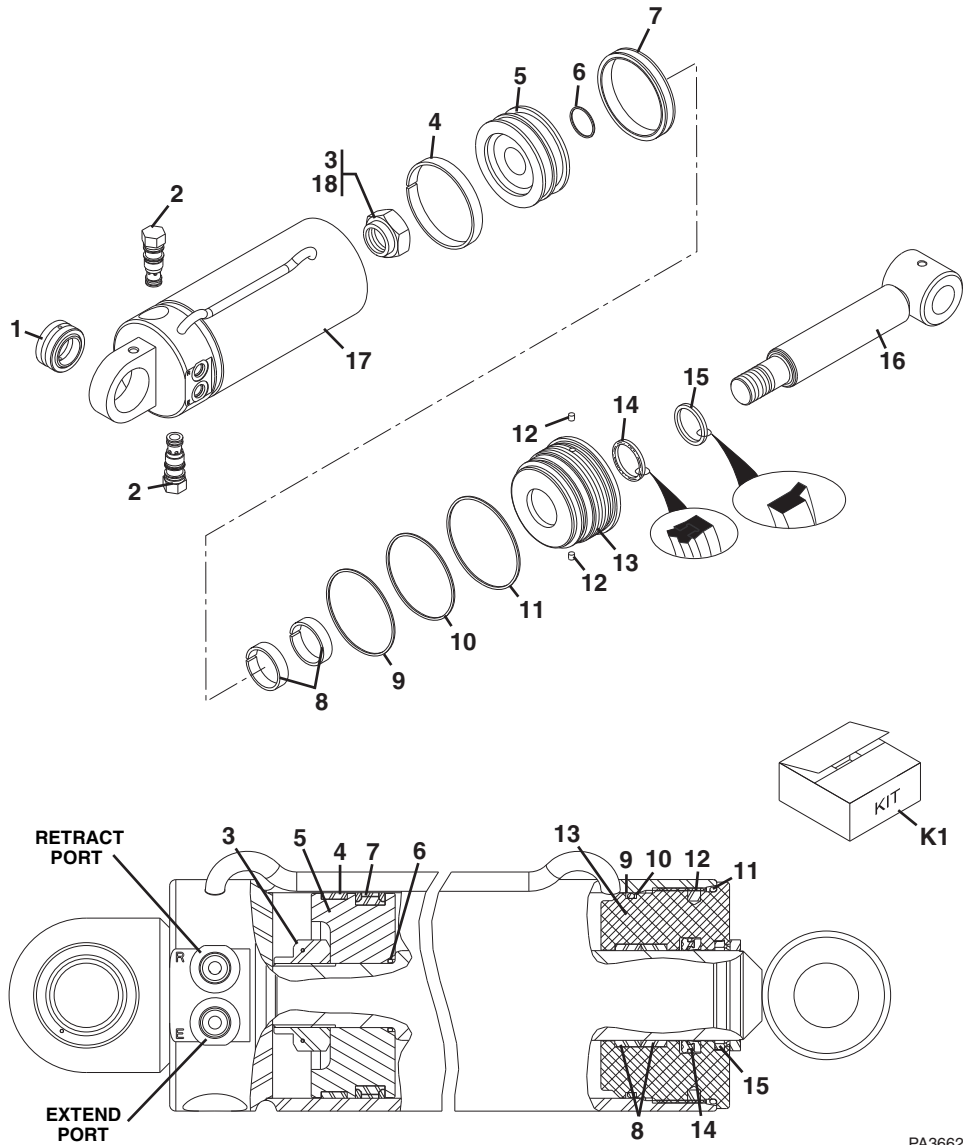




Figure 12-4 Side Tilt Carriage Cylinder

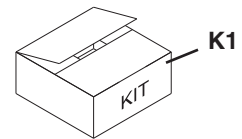
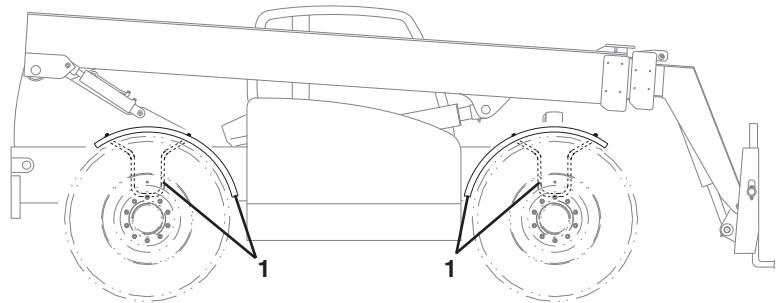
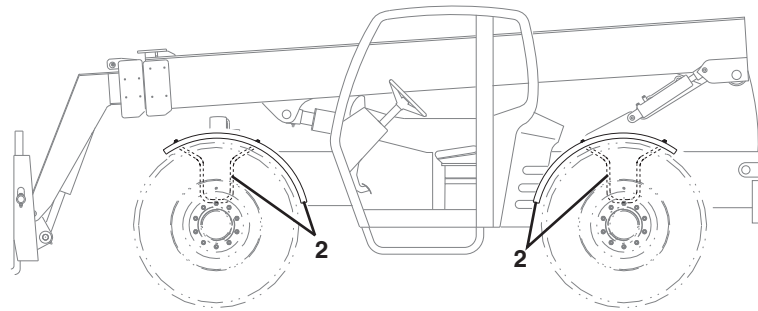
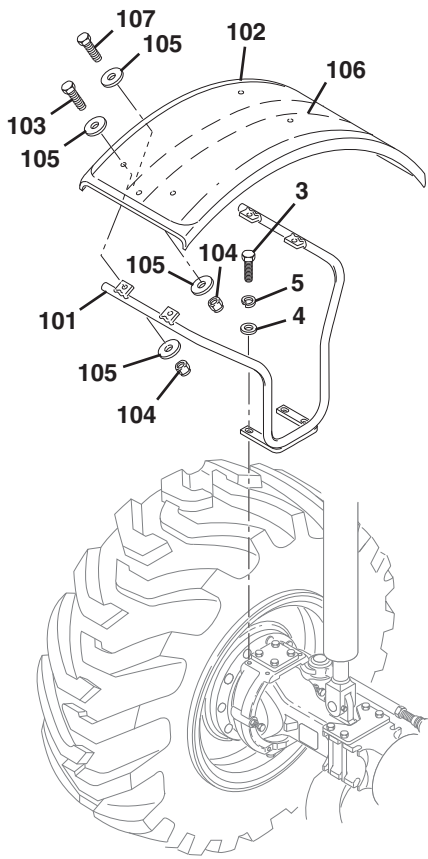
Item	Part Number	Qty.	Description	Rev.
	2716143	1	SIDE TILT CARRIAGE CYLINDER, (includes items 1 thru 17)	C, F
1	8036451	1	SPHERICAL BEARING	
2	8036750	2	CHECK VALVE, (torque to 30-35 lb-ft)	
	2900770	1	SEAL KIT	
3	8035865	1	LOCKNUT, (Loctite® & torque to 550-650 lb-ft)	
4	Use Kit K1	1	PRECISION WEARBAND	
5	8035868	1	PISTON	
6	Use Kit K1	1	O-RING	
7	Use Kit K1	1	CAPPED T-SEAL	
8	Use Kit K1	2	PRECISION WEARBAND	
9	Use Kit K1	1	O-RING	
10	Use Kit K1	1	BACK-UP RING	
11	Use Kit K1	1	O-RING	
12	Use Kit K1	2	LOCKING INSERT	
13	8035867	1	HEAD GLAND, (torque to 300-400 lb-ft)	
14	Use Kit K1	1	DEEP Z-SEAL	
15	Use Kit K1	1	WIPER SEAL	
16	8035866	1	ROD WELDMENT	
17	NSS	1	TUBE WELDMENT	
18	8526011	1	LOCTITE® 271™	
K1	8035831	1	SEAL KIT, (includes items 4, 6 thru 12, 14 & 15)	



OPTIONS

Figure 12-5 Fender Installation

8042



PA4231



Figure 12-5 Fender Installation

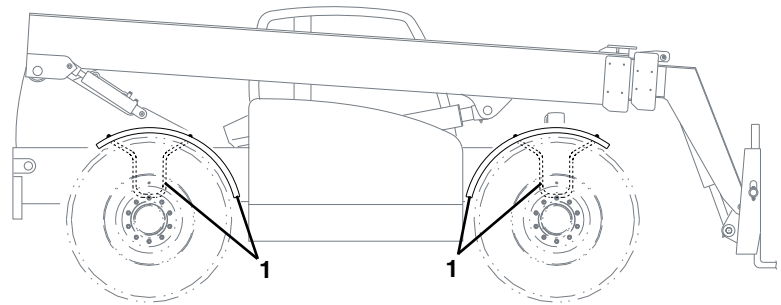
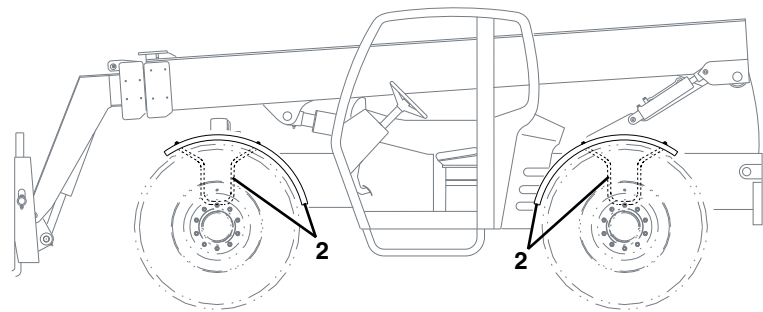
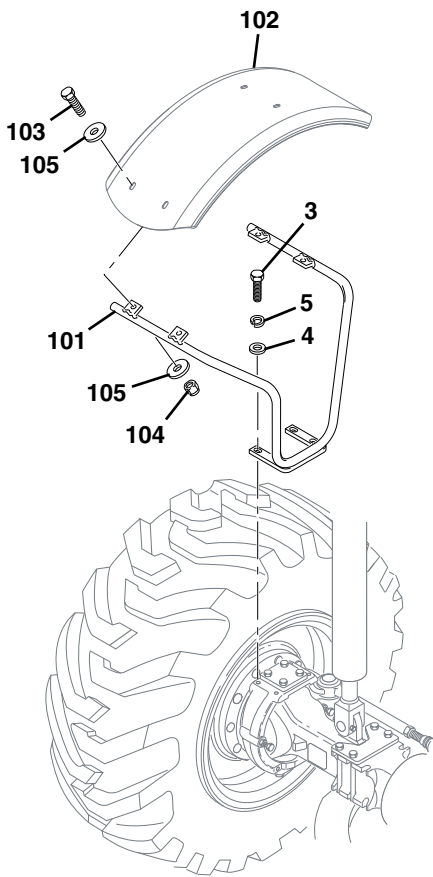
Item	Part Number	Qty.	Description	Rev.
1	7150697	1	FENDER INSTALLATION, (includes items 1 thru 5)	AB
		Ref	RH FENDER & BRACKET ASSY, (includes items 101 thru 107), (8042 S/N 13198 thru 19987 & 0160002332 thru 0160025354)	AD
2	7150696	2	RH FENDER & BRACKET ASSY, (includes items 101 thru 105), (8042 S/N 0160025389 & After)	G
		Ref	LH FENDER & BRACKET ASSY, (includes items 101 thru 107), (8042 S/N 13198 thru 19987 & 0160002332 thru 0160025354)	AD
3	7150695	2	LH FENDER & BRACKET ASSY, (includes items 101 thru 105), (8042 S/N 0160025389 & After)	G
	8310164	16	HEX HD CAPSCREW, M12-1.75X40mm, PC8.8	
4	8307220	16	FLAT WASHER, M12	
5	8307025	16	LOCKWASHER, M12	
101	7150668	1	FENDER MOUNT, (8042 S/N 13198 thru 19987 & 0160002332 thru 0160025354)	
	0903609	1	FENDER MOUNT, (8042 S/N 0160025389 & After)	
102	7150706	1	FENDER	
103	8303626	4	HEX HD CAPSCREW, 1/2-13X1-1/2, GR5	
104	8305644	6	HEX LOCKNUT, 1/2-13, (8042 S/N 13198 thru 19987 & 0160002332 thru 0160025354)	
	8305644	4	HEX LOCKNUT, 1/2-13, (8042 S/N 0160025389 & After)	
105	8307206	12	PLAIN WASHER, 1/2, (8042 S/N 13198 thru 19987 & 0160002332 thru 0160025354)	
	8307206	8	PLAIN WASHER, 1/2, (8042 S/N 0160025389 & After)	
106	6623576	1	FENDER SUPPORT, (8042 S/N 13198 thru 19987 & 0160002332 thru 0160025354)	
107	8303625	2	HEX HD CAPSCREW, 1/2-13X1-1/4, GR5, (8042 S/N 13198 thru 19987 & 0160002332 thru 0160025359)	
K1	7147400	1	FENDER FIELD KIT, (four wheel installation)	



OPTIONS

Figure 12-5 Fender Installation

10042 & 10054



PAP16410



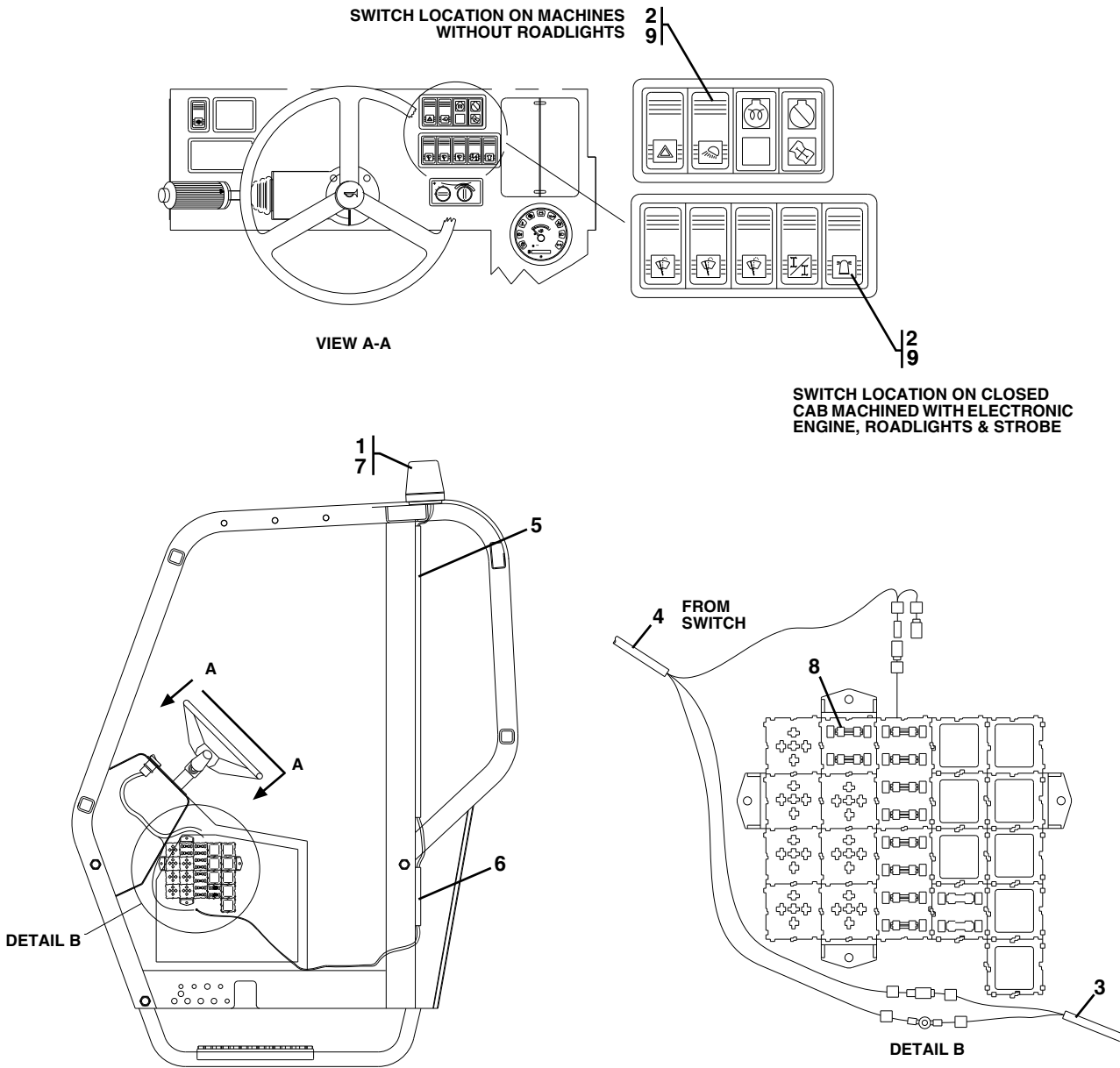
Figure 12-5 Fender Installation

Item	Part Number	Qty.	Description	Rev.
	7139086	1	FENDER INSTALLATION, (includes items 1 thru 5)	B
1	7139088	2	RH FENDER & BRACKET ASSY, (includes items 101 thru 105)	D
2	7139087	2	LH FENDER & BRACKET ASSY, (includes items 101 thru 105)	D
3	8310164	16	HEX HD CAPSCREW, M12-1.75X40mm, PC8.8	
4	8307220	16	FLAT WASHER, M12	
5	8307025	16	LOCKWASHER, M12	
101	7139560	1	FENDER MOUNT	
102	7139226	1	FENDER	
103	8303626	4	HEX HD CAPSCREW, 1/2-13X1-1/2, GR5	
104	8305644	4	HEX LOCKNUT, 1/2-13	
105	8307206	8	PLAIN WASHER, 1/2	



OPTIONS

Figure 12-6 Rotating Beacon Installation



PA4240



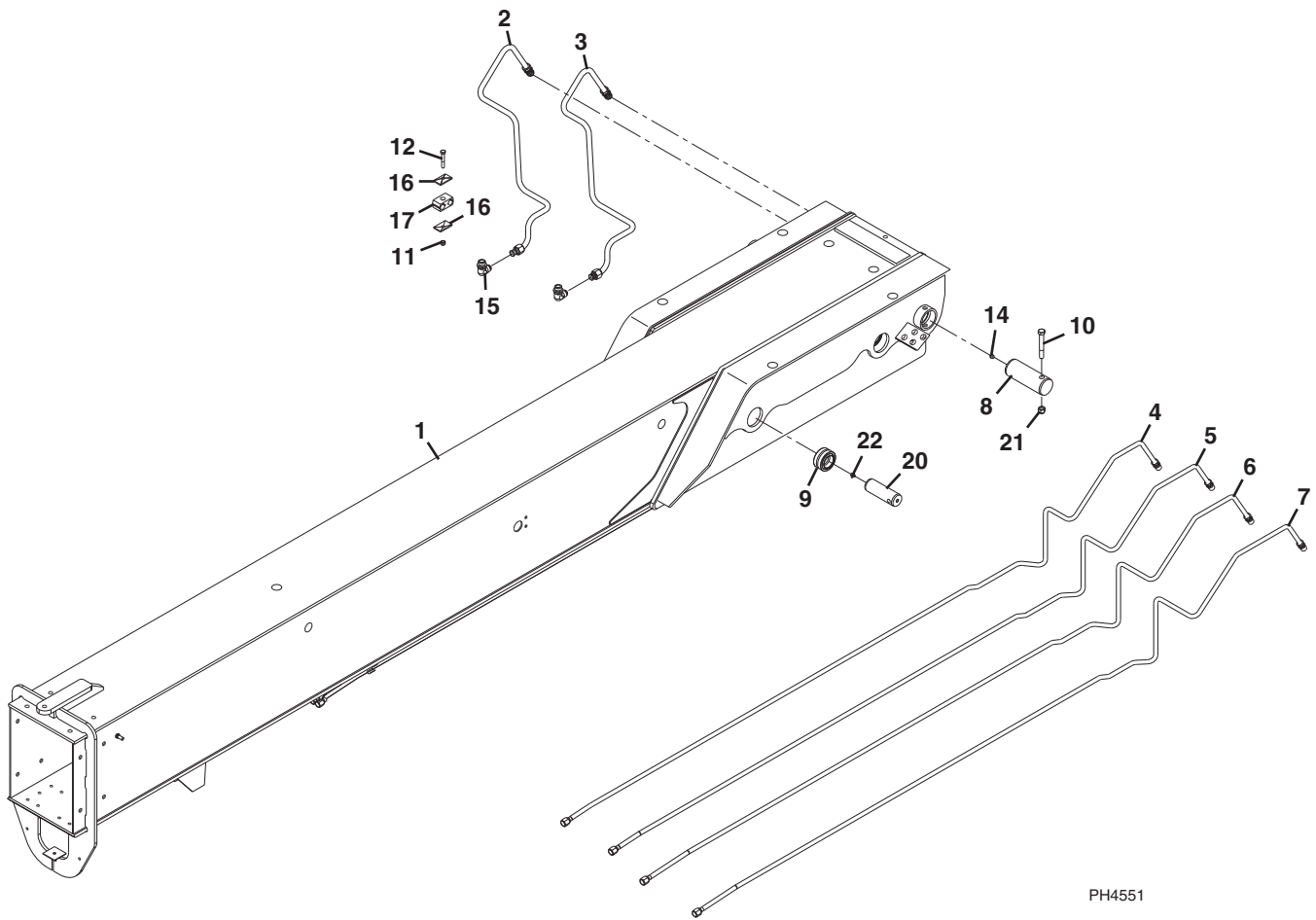
Figure 12-6 Rotating Beacon Installation

Item	Part Number	Qty.	Description	Rev.
	7139264	1	ROTATING BEACON INSTALLATION, OPEN CAB, (includes all items)	AD
	1001111074	1	ROTATING BEACON INSTALLATION, CLOSED CAB, (includes items 1 thru 4 & 7 thru 9)	A
1	8500066	1	ROTATING BEACON LIGHT	
2	8223038	1	BEACON SWITCH	
3	7139263	1	WIRE ASSY	
4	7139269	1	WIRE ASSY FROM SWITCH	
5	8036057	1	UPPER WIRE DUCT, (open cab only)	
6	8036058	1	LOWER WIRE DUCT, (open cab only)	
7	8526035	AR	SILICONE SEALANT, (open cab)	
	0100009	AR	SILICONE SEALANT, (closed cab)	
8	8229233	1	FUSE, 7.5AMP	
9	8223083	1	BEZEL SWITCH, MIDDLE POSITION	



OPTIONS

Figure 12-7 First Boom Section Service Kit



PH4551



Figure 12-7 First Boom Section Service Kit

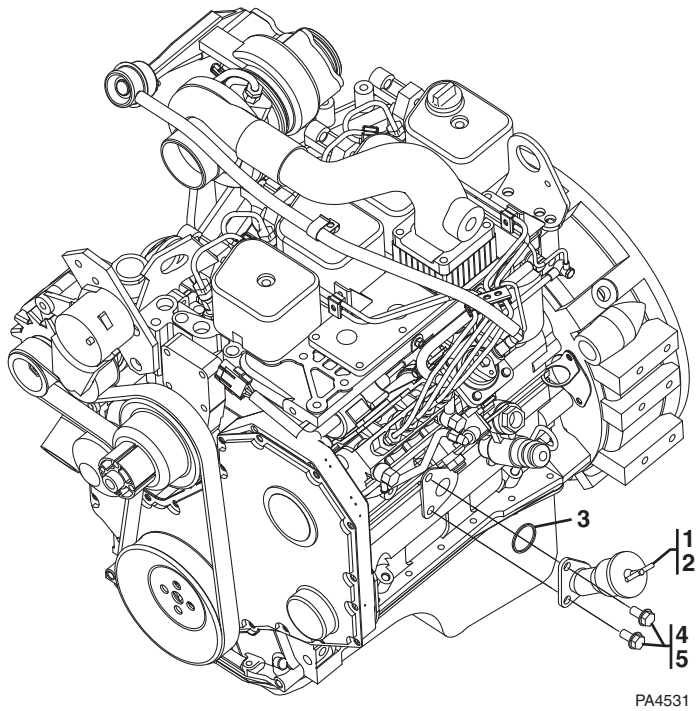
Item	Part Number	Qty.	Description	Rev.
	7302086	1	OUTER BOOM REPLACEMENT KIT, (includes all items)	C
1	7302010	1	FIRST BOOM SECTION	
2	3460383	1	BOOM EXTEND TUBE ASSY, (inner)	
3	3460384	1	BOOM EXTEND TUBE ASSY, (outer)	
4	7300672	1	BOOM TILT TUBE ASSY, (inner)	
5	7300673	1	BOOM TILT TUBE ASSY, (outer)	
6	7300674	1	BOOM AUX TUBE ASSY, (inner)	
7	7300675	1	BOOM AUX TUBE ASSY, (outer)	
8	3423226	2	BOOM PIVOT PIN	
9	8065640	4	BEARING, (self align)	
10	8303655	2	HEX HD CAPSCREW, 5/8-11X1-1/2, GR5	
11	8305626	1	HEX LOCKNUT, 5/16-18	
12	0641520	1	HEX HD CAPSCREW, 5/16-18X2-1/2, GR5	
14	8520001	2	LUBE FITTING, STRAIGHT, 1/8	
15	8760305	2	ELBOW, 90 DEGREES, (includes o-ring)	
16	8769128	2	TWIN COVER PLATE	
17	8769139	1	CLAMP SET, 750 DIA.	
20	3423227	4	HOIST & SLAVE CYLINDER PIN	
21	8305643	2	LOCKNUT, 5/8-11	
22	8520003	4	LUBE FITTING, 90 DEGREES, 1/8	



OPTIONS

8042 S/N 18991 thru 19987 & 0160002332 & After
10042 S/N 19031 thru 19987 & 0160002332 & After
10054 S/N 19080 thru 19987 & 0160002332 & After

Figure 12-8 Remote Oil Filler



PA4531

8042 S/N 18991 thru 19987 & 0160002332 & After
 10042 S/N 19031 thru 19987 & 0160002332 & After
 10054 S/N 19080 thru 19987 & 0160002332 & After

OPTIONS



Figure 12-8 Remote Oil Filler

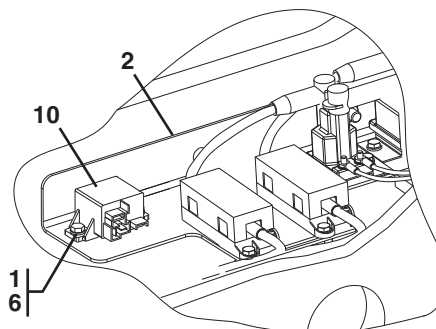
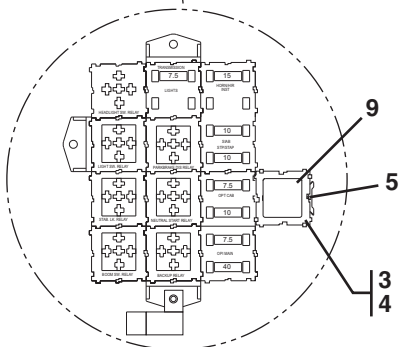
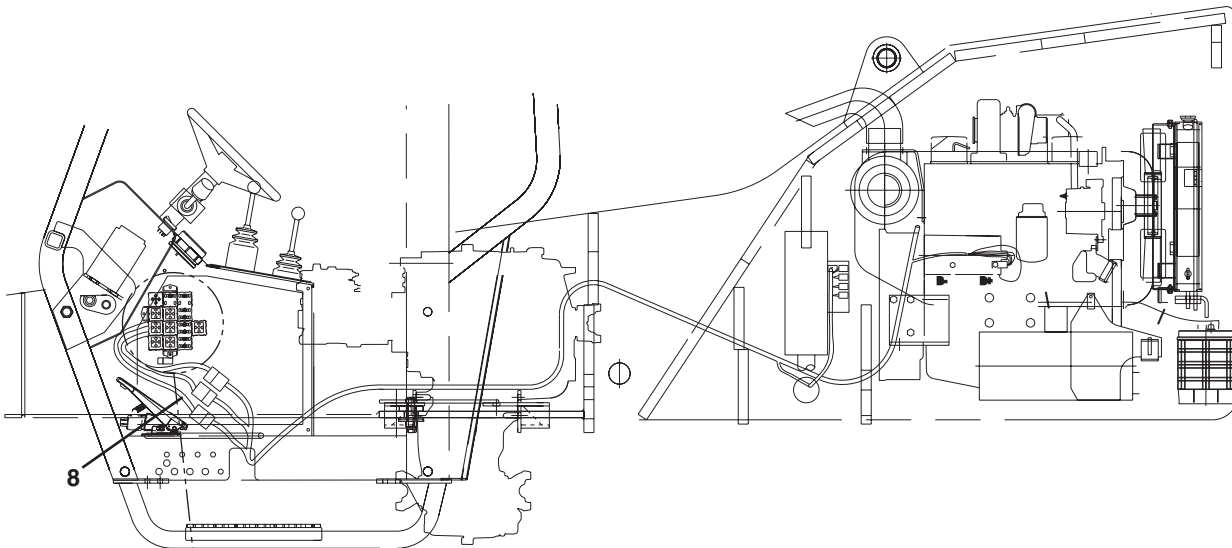
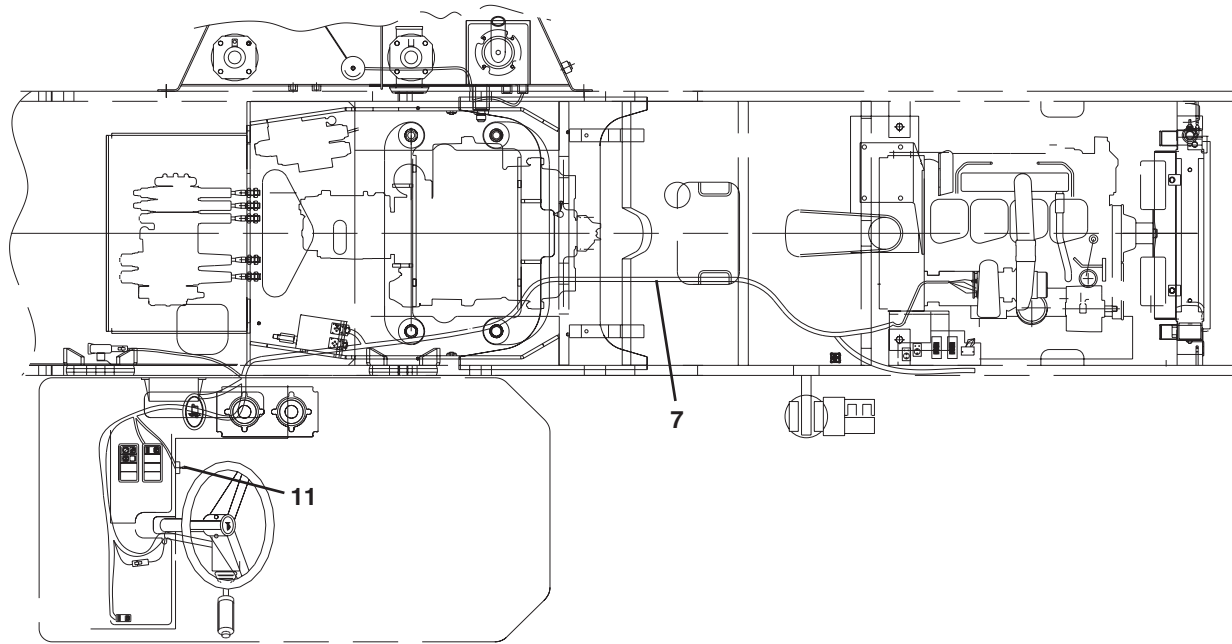
Item	Part Number	Qty.	Description	Rev.
	2915052	1	REMOTE OIL FILLER KIT, (includes items 1 thru 4)	
1	83673130	1	FILLER CAP	
2	7029006	1	OIL FILLER TUBE	
3	83673133	1	SEAL	
4	7029242	2	HEX HD CAPSCREW, M12X1.75mm, GR8, (Loctite® & torque to 71 lb-ft)	
5	8526007	AR	LOCTITE® 242™, (apply to item 4)	



OPTIONS

8042 S/N 13198 thru 19987 & 0160002332 thru 0160023104
10042 S/N 13198 thru 19987 & 0160002332 thru 0160023093
10054 S/N 13198 thru 19987 & 0160002332 thru 0160023101

Figure 12-9 Ignition Switch Weather Kit



PH4730

8042 S/N 13198 thru 19987 & 0160002332 thru 0160023104
 10042 S/N 13198 thru 19987 & 0160002332 thru 0160023093
 10054 S/N 13198 thru 19987 & 0160002332 thru 0160023101

OPTIONS



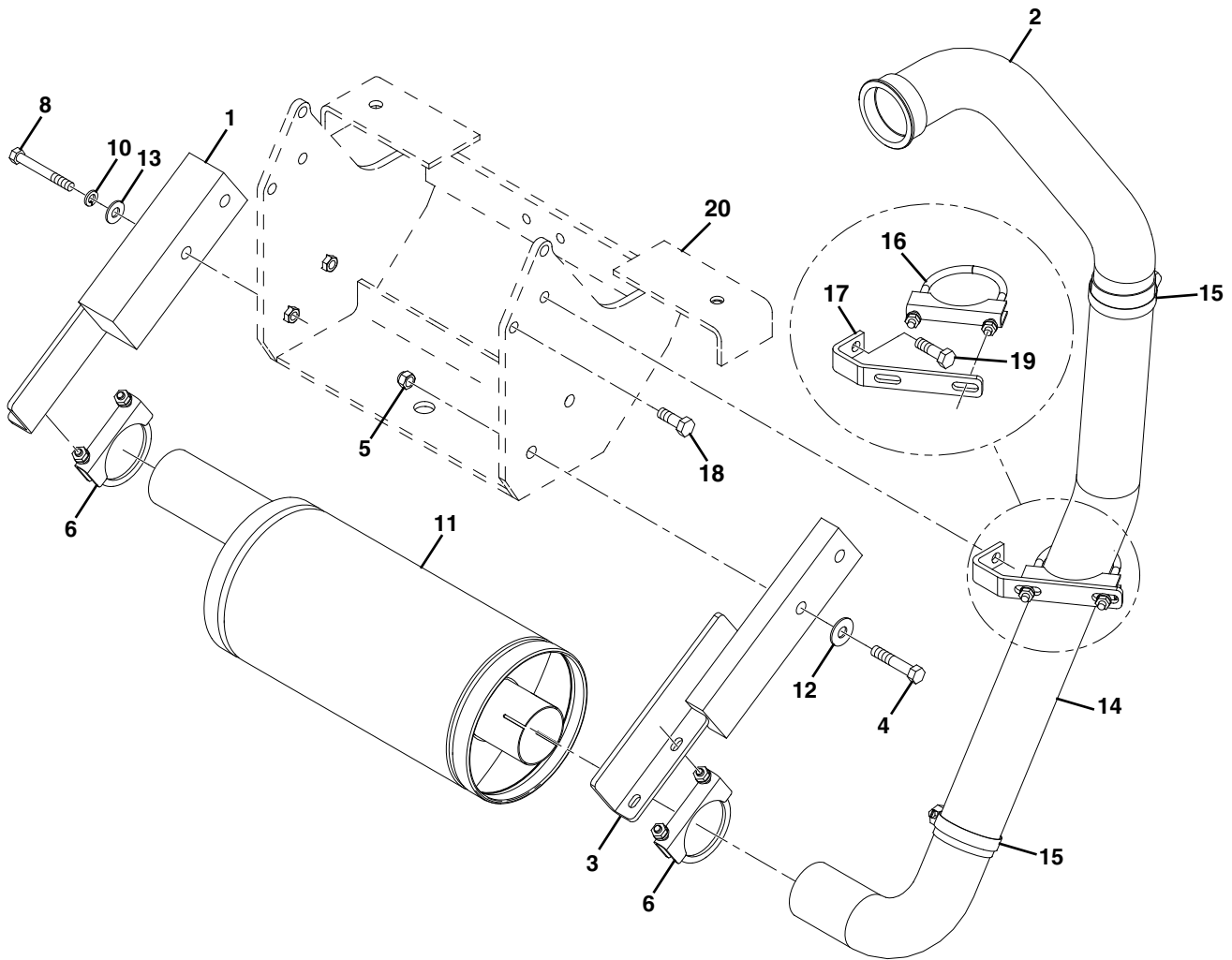
Figure 12-9 Ignition Switch Weather Kit

Item	Part Number	Qty.	Description	Rev.
	2915160	1	IGNITION SWITCH REPLACEMENT KIT, (includes all items)	B
1	0700608	2	HEX HD CAPSCREW, 6X16	
2	0903311	1	RELAY MOUNTING BRACKET	
3	4461101	1	RELAY MODULE	
4	4461102	1	SECONDARY LOCK	
5	4461103	1	LOCKING WEDGE RELAY	
6	4811700	2	WASHER, 6mm	
7	4923332	1	RETROFIT FRAME HARNESS	
8	4923334	1	RETROFIT CAB HARNESS	
9	8225119	1	RELAY	
10	77383377	1	STARTER RELAY	
11	4360690	1	IGNITION SWITCH	



OPTIONS

Figure 12-10 Exhaust Upgrade Kit



PAP3880



Figure 12-10 Exhaust Upgrade Kit

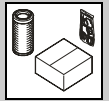
Item	Part Number	Qty.	Description	Rev.
	1001102305	1	EXHAUST UPGRADE KIT, (includes items 1 thru 19)	E
1	1001101397	1	EXHAUST BRACKET	
2	1001100296	1	EXHAUST PIPE	
3	1001101396	1	MOUNTING BRACKET	
4	0641718	2	HEX HD CAPSCREW, 7/16-14X2-1/4, GR5, (torque to 35-45 lb-ft)	
5	8310109	2	HEX LOCKNUT, 7/16-14	
6	83683175	2	MUFFLER CLAMP, 2-1/2"	
8	0641624	2	HEX HD CAPSCREW, 3/8-16X3, GR5, (torque to 7.5-13.5 lb-ft)	
10	8307005	2	LOCKWASHER, 3/8	
11	1001100978	1	MUFFLER	
12	4751700	2	WASHER, 7/16	
13	4751600	2	WASHER, 3/8	
14	1001101193	2ft	FIBERGLASS SLEEVE, 2-1/2 IN DIA	
15	8405202	2	GEAR CLAMP	
16	8275247	1	MUFFLER CLAMP, 3 INCH	
17	1001120927	1	EXHAUST SUPPORT BRACKET	
18	0701215	1	HEX HD CAPSCREW, 12X35mm, GR8.8	
19	0701216	1	HEX HD CAPSCREW, 12X40mm, GR8.8	
20		Ref	ENGINE MOUNT, (see Figure 4-1 for details)	



OPTIONS

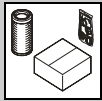
This Page Intentionally Left Blank

RECOMMENDED SPARE PARTS



The following list will service fleets of machines (built to current production per date on the front cover) with repair parts which can be installed in the field. Parts from the list should be replaced when inventory is depleted to keep service parts stock supplied. For further information, contact your JLG dealer or the JLG Industries Parts Department.

Part Number	Description	Qty./Machine
Boom Assembly		
2713452	Boom Hose (8042 & 10042), (see Figure 8-3)	2
7112452	Boom Hose (10054), (see Figure 8-3)	1
7112452	Boom Hose, (10054), (see Figure 8-8)	1
7111572	Wear Pad, (see Section 2)	AR
7082311	Insert, Wear Pad, (see Section 2)	AR
7082342	Shim, 0.07, (see Section 2)	AR
7082362	Shim, 0.13, (see Section 2)	AR
7096882	Spacer, 0.62, (see Section 2)	AR
7096702	Spacer, 0.5, (see Section 2)	AR
7118892	Quick Attach Pin, (see Figure 2-5)	1
Engine, (8042 S/N 13198 thru 18990), (10042 S/N 13198 thru 19030), (10054 S/N 13198 thru 19079)		
7138290	Engine Filter Kit, 250 Hour, (see Figure 4-1)	1
8024000	Engine Filter Kit, 1000 Hour, (see Figure 4-1)	1
7139077	Filler Breather Assy, (see Figure 9-11)	2
8272017	Fan, (see Figure 4-1)	1
8080613	Fan Belt, (see Figure 4-1)	1
8036544	Fan Spacer, (see Figure 4-1)	1
Engine, (8042, 10042 & 10054 S/N 18991 thru 19987 & 0160002332 thru 0160029586)		
8024049	Engine Filter Kit, 250 Hour, (see Figure 4-1)	1
8024050	Engine Filter Kit, 1000 Hour, (see Figure 4-1)	1
7139077	Filler Breather Assy, (see Figure 9-11)	2
8272027	Fan, (see Figure 4-1)	1
8036605	Fan Belt, (see Figure 4-1), (8042 S/N 18991 thru 0160014865), (10042 S/N 19031 thru 0160014861), (10054 S/N 19080 thru 0160014864)	1
7029270	Fan Belt, (8042 S/N 0160014880 thru 0160029592), (10042 S/N 0160015021 thru 0160029606), (10054 S/N 0160014890 thru 0160029593)	1
Engine, (8042 & 10054 S/N 0160029593 thru 0160038983), (10042 S/N 0160029593 thru 0160038370)		
1001111849	Engine Filter Kit, 250 Hour, (see Figure 4-1)	1
1001111850	Engine Filter Kit, 1000 Hour, (see Figure 4-1)	1
7139077	Filler Breather Assy, (see Figure 9-11)	2
2060045	Fan, (see Figure 4-1), (8042 & 10054 S/N 0160029593 thru 0160038983), (10042 S/N 0160029593 thru 0160038370)	1
1001105996	24" Fan, (see Figure 4-1), (8042 & 10054 S/N 0160038984 thru 0160040218 excluding 0160039850, 0160040126 thru 0160040129 & 0160040171), (10042 S/N 160038371 thru 0160040218 excluding 0160039850, 0160040126 thru 0160040129 & 0160040171)	1
70020357	Fan Belt, (see Figure 4-1)	1
70020358	Engine Oil Filter Element, (see Figure 4-1)	1
70020350	Dipstick, (see Figure 4-1)	1

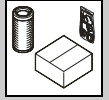


RECOMMENDED SPARE PARTS

The following list will service fleets of machines (built to current production per date on the front cover) with repair parts which can be installed in the field. Parts from the list should be replaced when inventory is depleted to keep service parts stock supplied. For further information, contact your JLG dealer or the JLG Industries Parts Department.

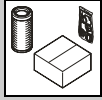
Part Number	Description	Qty./Machine
	Engine, (S/N 0160040220 & After including 0160039850, 0160040126 thru 0160040129 & 0160040171)	
7139077	Filler Breather Assy, (see Figure 9-11)	2
1001098559	Fan, (see Figure 4-1)	1
70021852	Fan Belt, (see Figure 4-1)	1
8036204	Engine Oil Filter Element, (see Figure 4-1)	1
70021854	Dipstick, (see Figure 4-1)	1
	Drive Train	
8223049	Transmission Selector Control, (see Figure 7-3), (8042 S/N 13198 thru 19987 & 0160002332 thru 0160014248), (10042 S/N 13198 thru 19987 & 0160002332 thru 0160015195), (10054 S/N 13198 thru 19987 & 0160002332 thru 0160015198)	1
1600429	Transmission Selector Control, (see Figure 7-3), (8042 S/N 0160015216 & After), (10042 S/N 0160015292 & After), (10054 S/N 0160015218 & After)	1
8160080	Throttle Cable, (8042 S/N 13198 thru 18990), (10042 S/N 13198 thru 19030), (10054 S/N 13198 thru 19079), (see Figure 7-2)	1
1319726	Transmission Filter, (see Figure 5-32)	1
1319433	Wheel End Bushing, (see Section 5)	4
7027211	Front Wheel End Seal, (see Figure 5-5)	2
7027211	Rear Wheel End Seal, (see Figure 5-13)	2
80304173	Wheel Hub Seal, (see Section 5)	4
1319472	Wheel Hub Bearing, (see Section 5)	8
1321155	Axle Wheel Hub O-Ring, (see Section 5)	4
	Hydraulic System	
8224045	Boom Joystick Assy, (see Figure 7-5)	1
8036295	Boom Extend/Retract Cylinder Seal Kit, (see Figure 9-1), (8042 & 10054 S/N 13198 thru 19987 & 0160002332 & After), (10042 S/N 13198 thru 18397)	1
8035386	Boom Lift/Lower Cylinder Seal Kit, (8042 S/N 13198 thru 19145), (10042 S/N 13198 thru 19241), (10054 S/N 13198 thru 19113), (see Figure 9-2)	1
8036746	Boom Lift/Lower Cylinder Seal Kit, (8042 S/N 19146 thru 0160030716), (10042 S/N 19242 thru 0160030708), (10054 S/N 19114 thru 0160030712), (see Figure 9-2)	1
8035386	Boom Lift/Lower Cylinder Seal Kit, (8042 S/N 0160030721 & After), (10042 S/N 0160030767 & After), (10054 S/N 0160030719 & After), (see Figure 9-2)	1
8035780	Attachment Tilt Cylinder Seal Kit, (8042 S/N 13198 thru 19791), (10042 S/N 13198 thru 19788), (10054 S/N 13198 thru 19745), (see Figure 9-3)	1
8036786	Attachment Tilt Cylinder Seal Kit, (see Figure 9-3), (8042 S/N 19792 thru 19987 & 0160002332 thru 0160004653), (10042 S/N 19789 thru 19987 & 0160002332 thru 0160004558), (10054 S/N 19746 thru 19987 & 0160002332 thru 0160006099)	1
8035780	Attachment Tilt Cylinder Seal Kit, (8042 S/N 0160004670 & After), (8042 S/N 0160004673 & After), (10054 S/N 0160006120 & After), (see Figure 9-3)	1
8035326	Frame Sway Cylinder Seal Kit, (8042 S/N 13198 thru 0160004653 & 0160005695 & After), (10042 S/N 13198 thru 0160004558 & 0160005669 & After), (10054 S/N 13198 thru 0160004654 & 0160005697 & After), (see Figure 9-4)	1
8035326	Stabil-Trak Cylinder Seal Kit, (8042 S/N 13198 thru 19145), (10042 S/N 13198 thru 19241), (10054 S/N 13198 thru 19113), (see Figure 9-5)	1
8036747	Stabil-Trak Cylinder Seal Kit, (see Figure 9-5), (8042 S/N 19146 thru 19987 & 0160002332 & After), (10042 S/N 19242 thru 19987 & 0160002332 & After), (10054 S/N 19114 thru 19987 & 0160002332 & After)	1

RECOMMENDED SPARE PARTS



The following list will service fleets of machines (built to current production per date on the front cover) with repair parts which can be installed in the field. Parts from the list should be replaced when inventory is depleted to keep service parts stock supplied. For further information, contact your JLG dealer or the JLG Industries Parts Department.

Part Number	Description	Qty./Machine
8034695	Slave Cylinder Seal Kit, (8042 S/N 13198 thru 0160003866 & 0160004670 & After), (10042 S/N 13198 thru 0160003858 & 0160004673 & After), (10054 S/N 13198 thru 0160003864 & 0160004676 & After) , (see Figure 9-6)	1
8035519	Outrigger (Rosenboom) Cylinder Seal Kit, (S/N 13198 thru 19987 & 0160002332 thru 01600002914) , (see Figure 9-7)	1
8036784	Outrigger (Energy) Cylinder Seal Kit, (S/N 01600002940 & After) , (see Figure 9-7)	1
	8042 Before S/N 0160038967 including 0160038971 & 0160038984 10042 Before S/N 0160038368 including 0160038375, 0160038378, 0160038379, 0160038381 & 0160038383 10054 Before S/N 0160038740 excluding 0160021270, 0160036713, 0160036715, 0160036721 & 0160036723	
8035981	Steering Cylinder Seal Kit, (8042 Front Axle Before S/N 828785 & Rear Axle S/N 955403), (10042 Front Axle Before S/N 1285172 & Rear Axle S/N 949494), (10054 Front Axle Before S/N 1285172 & Rear Axle S/N 949494) , (see Figure 5-5 & Figure 5-13)	1
70021495	Steering Cylinder Seal Kit, (8042 Front Axle S/N 828785 & Rear Axle S/N 955403 & After), (10042 Front Axle S/N 1285172 & Rear Axle S/N 949494 & After), (10054 Front Axle S/N 1285172 & Rear Axle S/N 949494 & After) , (see Figure 5-5 & Figure 5-13)	1
	8042 S/N 0160038967 & After excluding 0160038971 & 0160038984 10042 S/N 0160038368 & After excluding 0160038375, 0160038378, 0160038379, 0160038381 & 0160038383 10054 S/N 0160038740 & After including 0160021270, 0160036713, 0160036715, 0160036721 & 0160036723	
70022178	Steering Cylinder Seal Kit, (see Figure 5-5 & Figure 5-13)	1
8035830	Swing Carriage Cylinder Seal Kit, (8042 S/N 13198 thru 19234), (10042 S/N 13198 thru 19241), (10054 S/N 13198 thru 19080) , (see Figure 12-3)	1
8036783	Swing Carriage Cylinder Seal Kit, (8042 S/N 19235 thru 19987 & 0160002332 & After), (10042 S/N 19242 thru 19987 & 0160002332 & After), (10054 S/N 19081 thru 19987 & 0160002332 & After) , (see Figure 12-3)	1
8035831	Side Tilt Carriage Cylinder Seal Kit, (S/N 13198 thru 19987 & 0160002332 & After) , (see Figure 12-4)	1
8320265	Hydraulic Filter Element, (Before S/N 0160040220 excluding 0160039850, 0160040126 thru 0160040129 & 0160040171) , (see Figure 9-11)	1
7301252	Hydraulic Filter Element, (S/N 0160040220 & After including 0160039850, 0160040126 thru 0160040129 & 0160040171) , (see Figure 9-11)	1
7138740	Tank Strainer, (see Figure 9-11)	1
7139077	Filler/Breather, (see Figure 9-11)	2
7024441	Fluid Level Sight Gauge, (see Figure 9-11)	1
	Electrical	
8223217	Engine Coolant Temperature Sender, (8042 S/N 13198 thru 18990), (10042 S/N 13198 thru 19030), (10054 S/N 13198 thru 19079) , (see Figure 10-2)	1
8223244	Engine Coolant Temperature Sender, (8042 S/N 18991 thru 19987 & 0160002332 thru 0160040218), (10042 S/N 19031 thru 19987 & 0160002332 thru 0160040218), (10054 S/N 19080 thru 19987 & 0160002332 thru 0160040218) , (see Figure 10-2)	1
7118222	Fuel Level Sender Assy, (see Figure 9-11)	1

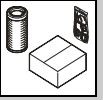


RECOMMENDED SPARE PARTS

The following list will service fleets of machines (built to current production per date on the front cover) with repair parts which can be installed in the field. Parts from the list should be replaced when inventory is depleted to keep service parts stock supplied. For further information, contact your JLG dealer or the JLG Industries Parts Department.

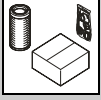
Part Number	Description	Qty./Machine
2915184	Back-up Alarm Kit, (see Figure 10-2), (8042 S/N 13198 thru 0150016705), (10042 S/N 13198 thru 0160016668), (10054 S/N 13198 thru 0160029586)	1
8270621	Back-up Alarm, (see Figure 10-2), (8042 S/N 0160016727 & After), (10042 S/N 0160016784 & After), (10054 S/N 0160016729 & After)	1
4360690	Ignition Switch, (see Figure 7-4), (8042 S/N 0160023253 & After), (10042 S/N 0160023341 & After), (10054 S/N 0160023254 & After)	1
8270221	Alternator, (8042 S/N 13198 thru 18990), (10042 S/N 13198 thru 19030), (10054 S/N 13198 thru 19079), (see Figure 10-2)	1
7029525	Alternator, (8042 S/N 0160014880 thru 0160029592 & 0160038984 thru 0160040218 excluding 0160039850, 0160040126 thru 0160040129 & 0160040171), (10042 S/N 0160015021 thru 0160029606 & S/N 0160038371 thru 0160040218 excluding 0160039850, 0160040126 thru 0160040129 & 0160040171), (10054 S/N 0160014890 thru 0160029593), (see Figure 4-1)	1
70023287	Alternator, (8042 & 10054 S/N 0160029593 thru 0160038983), (10042 S/N 0160029593 thru 0160038370), (see Figure 4-1)	1
70021849	Alternator, (S/N 0160040220 & After including 0160039850, 0160040126 thru 0160040129 & 0160040171), (see Figure 4-1)	1
8033340	Starter, (8042 S/N 13198 thru 18990), (10042 S/N 13198 thru 19030), (10054 S/N 13198 thru 19079), (see Figure 4-1)	1
7026666	Starter, (8042 S/N 18991 thru 0160029592), (10042 S/N 19031 thru 0160029606), (10054 S/N 19080 thru 0160029593), (see Figure 4-1)	1
70020352	Starter, (8042 S/N 0160029593 thru 0160040218 excluding 0160039850, 40126 thru 40129 & 40171), (10042 S/N 0160029607 thru 0160040218 excluding 0160039850, 40126 thru 40129 & 40171), (10054 S/N 0160029594 thru 0160040218 excluding 0160039850, 40126 thru 40129 & 40171), (see Figure 4-1)	1
70021850	Starter, (S/N 0160040220 & After including 0160039850, 0160040126 thru 0160040129 & 0160040171), (see Figure 4-1)	1
8270620	Horn, (see Figure 10-2)	1
	Misc	
8035807	Ignition Key With Cover, (see Figure 7-4)	1
8342808	Door Key, Square, (see Figure 6-4)	1
70021948	Door Key, Round, (see Figure 6-4)	1
70000652	Hydraulic Test Kit	1
70000101	Digital Test Kit	1
8990500	Owners/Operators Manual, (8042), (S/N 18991 thru 19984 & 0160002332 thru 0160029584)	1
8990501	Owners/Operators Manual, (10042), (S/N 19031 thru 19971 & 0160002407 thru 0160029583)	1
8990502	Owners/Operators Manual, (10054), (S/N 19080 thru 19987 & 0160002340 thru 0160029586)	1
31200352	Operation & Safety Manual, (8042, 10042 & 10054), (S/N 0160029593 & After)	1
8990396	Service Manual, (S/N 18991 thru 19984 & 0160002332 thru 0160029592)	1
31200353	Service Manual, (S/N 0160029593 & After)	1
8990395	Parts Manual	1
	Special Tools	
80304484	Pry Bar Set, ZF Axle	1
80304480	Two-armed Puller, ZF Axle	1

RECOMMENDED SPARE PARTS



The following list will service fleets of machines (built to current production per date on the front cover) with repair parts which can be installed in the field. Parts from the list should be replaced when inventory is depleted to keep service parts stock supplied. For further information, contact your JLG dealer or the JLG Industries Parts Department.

Part Number	Description	Qty./Machine
7025854	Two-armed Puller, ZF Axle	1
70010241	Threaded Ring, M105X3, ZF Axle	1
70010239	Two-armed Puller, 160-150mm, ZF Axle & Transmission	1
70023172	Gripping Insert Super, ZF Axle	1
70023173	Back-off Insert, Rear ZF Axle	1
70023174	Eye Bolt Assortment, ZF Axle & Transmission	1
70022872	Internal Extractor, 45-58mm, ZF Axle & Transmission	1
70022873	Internal Extractor, 70-100mm, ZF Axle	1
70022871	Counter Support, Rear, ZF Axle & Transmission	1
7029740	Driver, ZF Axle	1
7029739	Driver, ZF Axle	1
7029738	Driver, ZF Axle	1
70010244	Internal Extractor, ZF Axle	1
70010245	Counter Support, ZF Axle	1
70022866	Spanner, ZF Axle	1
70022867	Torque Spanner, 5-45Nm, ZF Axle	1
80304492	Wheel Bolt Puller Basic Set, ZF Axle	1
70110101	Driver, ZF Axle	1
80304498	Handle, ZF Axle	1
70010281	Slotted Nut Wrench, ZF Axle	1
70010283	Installer, ZF Axle	1
70010284	Installer, ZF Axle	1
80304497	HP-Pump, ZF Axle	1
7025856	Striker, ZF Axle	1
70010243	Measuring Hub, 9/16in-18UNF	1
80304486	Two-armed Puller, ZF Axle	1
70010240	Gripping Insert Super, ZF Axle	1
70010285	Extracting Tool, ZF Axle	1
70010282	Assembly Ring, ZF Axle	1
70023175	Driver, ZF Axle	1



RECOMMENDED SPARE PARTS

The following list will service fleets of machines (built to current production per date on the front cover) with repair parts which can be installed in the field. Parts from the list should be replaced when inventory is depleted to keep service parts stock supplied. For further information, contact your JLG dealer or the JLG Industries Parts Department.

Part Number	Description	Qty./Machine



Part Number	Page	Part Number	Page	Part Number	Page	Part Number	Page
0100009	12-23	0860520	3-37	1001094877	1-9	1001100227	3-19
01000113-11, 4-9, 4-13, 4-14, 4-17, 7-17, 7-19		09020003	3-45	1001094897	1-13	1001100228	3-19
0100019	1-9, 1-16	0903311	10-18, 12-29	1001095336	10-21	1001100229	3-19
0240156	3-43	0903609	12-19	1001095418	3-15	1001100257	4-57
0274072	11-5, 11-9	0903638	4-47	1001095810	3-37	1001100258	4-57
0274263	11-5, 11-9	0903642	4-9, 4-13	1001096019	3-37	1001100284	5-123, 5-124
0274271	11-5, 11-9	0903643	4-9	1001096020	3-37	1001100296	4-57, 12-31
0274272	11-5, 11-9	0903677	4-9, 4-13	1001096021	3-37	1001100324	5-123
0274547	11-5, 11-9	0930020	3-41	1001096023	3-37	1001100822	3-3
0275810	4-35	1001001413	4-35, 4-39	1001096024	3-37	1001100823	3-3
0275819	4-35	1001001853	4-35, 4-39	1001096025	3-37	1001100824	3-3
0275861	4-23	1001081043	6-27	1001096306	3-37	1001100967	3-21
0275912	4-39	1001081045	6-27, 6-29	1001096314	12-3, 12-9, 12-10	10011009784-57, 4-59, 12-31	
0275913	4-39	1001081046	6-29	1001096328	4-35	1001101043	10-28
0400075	10-17, 10-23	1001081049	6-27, 6-29	1001096333	4-35	1001101080	4-9, 4-14
0641405	3-38	1001081072	6-27, 6-29	1001096404	2-10	1001101085	6-21
0641406	4-35, 4-39, 10-18, 10-22, 10-27	1001081073	6-29	1001096425	4-59	1001101115	3-19
0641410	4-49	1001081280	6-7	1001096429	4-17	1001101116	3-19
0641506	4-35	1001081310	6-23, 6-25	1001096435	4-41	10011011934-57, 4-59, 12-31	
0641510	4-9, 4-47	1001081375	6-27, 6-29	1001096436	4-41	1001101396	12-31
0641520	8-13, 12-25	1001081376	6-27, 6-29	1001096452	4-36	1001101397	12-31
0641522	4-13	1001090063	3-11	1001096459	4-17	1001101845	2-25, 2-27
0641538	8-53	1001090064	3-11	1001096462	4-17	1001101867	2-27
0641607	4-35, 4-39	1001090134	9-63	1001096479	4-17	1001101956	3-11
0641611	4-35	1001090140	3-11	1001096484	4-49	1001102305	4-53, 12-31
06416123-11, 4-25, 4-39, 8-61		1001091082	4-9	1001097046	1-16	1001102306	4-55
0641616	4-59	1001091752	9-61	1001097072	3-37	1001102378	3-11
0641624	4-57, 4-59, 12-31	1001091900	10-21	1001097079	12-3	1001102448	10-33
0641712	4-55	1001091985	10-22	1001097080	12-3	1001102813	3-38
0641718	4-51, 4-57, 12-31	1001091992	4-35	1001097168	3-38	1001102844	6-3
0641826	4-13	1001092192	10-4, 10-21	1001097565	4-41	1001102931	4-25
0641832	4-9	1001092193	10-4, 10-21	1001097566	4-17	1001102933	4-25
0642032	3-7, 3-11	1001092195	10-4, 10-21	1001097568	4-25	1001103113	7-3
0642216	1-9	1001092280	3-37	1001097569	4-25	1001103144	8-25, 8-29, 8-33, 8-37, 8-41, 8-46
0642222	1-9	1001092391	3-31	1001097585	4-47	1001103147	9-57
0642228	4-13	1001092481	3-37	1001097721	2-15	1001103150	9-57
0642628	1-9	1001092482	3-37	1001097735	2-25, 2-27	1001103152	9-57
0642640	1-15, 5-3, 5-7	1001092877	11-9	1001097993	6-29	1001103153	8-21, 9-57
0681810	3-11	1001093134	8-37	1001098089	2-13	1001103182	9-65
0681826	4-17	1001093135	8-37	1001098559	4-17	1001103291	4-17
0682036	5-3, 5-7	1001093136	8-57	1001098582	3-38	1001103509	6-17, 6-27, 6-29
0682228	4-17	1001093137	8-57	1001098594	11-5, 11-9	1001103619	1-16, 5-27, 5-69
0691616	4-41	1001093140	3-37	1001098595	11-5, 11-9	1001103623	8-7
0700608	12-29	1001093171	3-29, 3-38	1001098769	2-9	1001103628	5-11
0700610	6-3	1001093273	3-43	1001098977	4-49	1001103629	5-11
0700812	4-17	1001093290	10-21	1001099113	3-11	1001103633	5-53
0701021	4-14	1001093303	4-55, 4-57	1001099115	3-11	1001103637	3-37
0701214	4-5, 4-9, 4-13	1001093377	3-19, 3-43	1001099351	3-23	1001103730	3-37
0701215	4-6, 12-31	1001093465	3-43	1001099687	5-3	1001103736	3-37
0701216	4-13, 12-31	1001093891	4-23	1001099688	5-3	1001103930	11-8
0711014	4-17	1001093892	4-23	1001099901	3-27	1001104036	10-8
0711019	4-17	1001093944	4-23	1001099902	3-27	1001105428	1-16
0741610	3-11	1001094010	4-9, 4-14	1001100005	5-123, 5-124	1001105703	5-127
0760810	4-25	1001094284	9-69	1001100009	5-127	1001105704	5-127
0761012	10-27	1001094330	3-43	1001100217	4-25	1001105705	5-127
0761015	4-61	1001094357	4-55	1001100218	9-61	1001105892	6-17
0791810	10-27	1001094357	4-55	1001100220	8-61	1001105897	4-13
		1001094786	1-9	1001100222	8-61	1001105976	4-39
		1001094787	1-9	1001100223	8-61		
		1001094830	3-43				



PART NUMBER INDEX

Part Number	Page	Part Number	Page	Part Number	Page	Part Number	Page
1001105991	4-14	1001114480	10-27	1001134961	9-61	1319335	5-55
1001105996	4-13	1001114482	10-27	1001135002	9-49	1319336	5-55
1001106014	11-9	1001114495	4-35, 4-39	1001135055	8-45	1319337	5-55
1001106015	11-9	1001114671	10-27	1001137512	3-31	1319338	5-55
1001106016	11-9	1001114675	6-3	1001140699	11-9	1319339	5-55
1001106346	1-15	1001114780	4-39, 4-41	1001141427	6-3	1319340	5-55
1001106376	4-13	1001116838	5-53	10139087	11-4, 11-8	1319341	5-55
1001106380	4-13	1001117068	10-23	10268515	4-45, 4-47, 4-49	1319342	5-55
1001106836	8-7, 9-71	1001117244	4-41	10268516	4-45, 4-47, 4-49	1319343	5-55
1001106845	9-69	1001117308	10-27	1060379	3-38	1319344	5-55
1001107355	10-4, 10-8	1001117610	10-8, 10-27	10700205	4-23	1319345	5-55
1001107358	10-4, 10-21	1001117636	8-13	1070136310-13, 10-17, 10-21		1319346	5-55
1001107359	10-4, 10-21	1001117642	8-13	10705034	3-45	1319347	5-55
1001107360	10-4, 10-21	1001117696	8-13	10717672	8-25, 8-29, 8-33, 8-37, 8-45	1319348	5-55
1001107525	5-3	1001117714	8-13	10731702	5-91	1319350	5-55
1001107589	5-3	1001118107	10-27	107317095-113, 5-114, 5-117		1319351	5-55
1001107664	1-16	1001118129	10-27	10731744	5-95	1319352	5-55
1001107692	1-15	1001118245	10-27	10731748	5-91	1319353	5-18, 5-55, 5-60
1001107744	1-16	1001119055	8-45	10731751	5-91	1319354	5-55
1001107746	1-16	1001119056	8-45	10731789	5-47, 5-83	1319355	5-55
1001108206	10-27	1001119107	8-45	10731790	5-27, 5-69	1319356	5-55
1001108668	3-48	1001119174	10-8, 10-27	10731845	5-97, 5-99, 5-103	1319357	5-55
1001109007	6-17	1001119175	10-8, 10-27	10731913	5-93	1319358	5-55
1001109010	4-39	1001120179	5-127	10731949	5-29, 5-33, 5-37, 5-71, 5-75	1319359	5-55
1001109011	4-39	1001120632	11-5, 11-9	10731959	5-109	1319360	5-55
1001109053	11-9	1001120914	3-11	10732063	5-113, 5-117	1319362	5-55
1001109230	4-39	1001120915	3-11	10732064	5-113	1319363	5-55
1001109404	8-3	1001120927	12-31	10732071	5-111	1319364	5-55
1001109406	6-17	1001120928	4-13	10732072	5-111	1319365	5-55
1001109417	6-7, 6-27	1001121085	5-124	10732095	5-91	1319366	5-55
1001109478	6-11	1001121102	5-127	10732150	1-11, 1-13	1319367	5-55
1001109596	11-8	1001121104	5-127	10733183	4-45, 4-47	1319369	5-55
1001110280	11-9	1001121967	11-9	10837923	9-53	1319370	5-55
1001110282	11-9	1001121968	11-9	10837943	9-54	1319371	5-55
1001110414	11-9	1001122561	11-9	10839156	5-109	1319372	5-55
1001110415	11-9	1001122562	11-9	1101056	5-43, 5-79	1319373	5-55
1001110416	11-9	1001122612	11-9	1101312	4-45, 4-47, 4-49	1319374	5-55
1001110483	1-15	1001122613	11-9	1101313	4-45, 4-47, 4-49	1319375	5-55
1001110704	3-15	1001125530	1-13	1101841	5-121	1319376	5-55
1001111074	12-23	1001125774	6-29	1170021	3-7	1319377	5-55
1001111112	6-23	1001125837	6-29	1170024	3-7	1319378	5-56
1001111190	3-15, 3-48	1001125838	6-11	1170054	3-11	1319379	5-56
1001111556	4-49	1001126234	6-29	1170057	3-11	1319380	5-56
1001111557	4-49	1001128396	10-8	1313932	5-56	1319381	5-56
1001111559	4-17	1001128397	10-27	1319203	5-91	1319382	5-56
1001111562	4-41	1001128530	11-5, 11-9	1319204	5-91	1319383	5-56
1001111568	1-13	1001128663	10-27	1319205	5-91	1319384	5-56
1001111569	1-13	1001128665	10-27	1319206	5-91	1319385	5-56
1001111821	4-41	1001128666	10-28	1319207	5-91	1319386	5-56
1001111849	4-9, 4-14	1001129508	11-8	1319209	5-91	1319387	5-56
1001111850	4-10, 4-14	1001129509	11-8	1319210	5-43, 5-79, 5-91	1319388	5-56
1001112747	4-49	1001129510	11-8	1319211	5-91	1319389	5-56
1001112749	4-25	1001130307	10-27	1319212	5-91	1319390	5-56
1001112774	4-41	1001131179	1-13	1319213	5-91	1319391	5-56
1001112775	4-41	1001131271	11-5, 11-9	1319214	5-37, 5-75	1319393	5-56
1001113511	4-25	1001132458	1-13	1319333	5-55	1319394	5-56
1001114012	4-59	1001132514	3-7	1319334	5-55	1319395	5-56
1001114013	4-59	1001132551	7-17				
1001114040	4-59	1001132552	7-19				



Part Number	Page	Part Number	Page	Part Number	Page	Part Number	Page
1319396	5-56	1319511	5-30, 5-34, 5-72	1319590	5-95	1319633	5-101, 5-109
1319397	5-56	1319512	5-30, 5-34, 5-72	1319591	5-97	1319634	5-103
1319398	5-56	1319513	5-30, 5-34, 5-72	1319592	5-97	1319635	5-103
1319399	5-56	1319514	5-30, 5-34, 5-72	1319593	5-97, 5-99, 5-101, 5-103, 5-105, 5-107	1319636	5-103, 5-105, 5-107
1319400	5-56	1319515	5-30, 5-34, 5-72	1319594	5-97, 5-99, 5-101, 5-103, 5-105, 5-107	1319637	5-105
1319401	5-56	1319516	5-30, 5-34, 5-72	1319595	5-97, 5-99, 5-101, 5-103, 5-105, 5-107	1319638	5-105, 5-107
1319402	5-56	1319517	5-30, 5-34, 5-72	1319596	5-97, 5-99, 5-103	1319639	5-107
1319406	5-56	1319518	5-30, 5-34, 5-72	1319599	5-103, 5-105, 5-107	1319641	5-109
1319412	5-63	1319519	5-30, 5-34, 5-72	1319600	5-97, 5-99, 5-101, 5-103, 5-105, 5-107	1319643	5-109
1319414	5-21, 5-63	1319520	5-30, 5-34, 5-72	1319601	5-97, 5-99, 5-101, 5-103, 5-105, 5-107	1319646	5-109
1319415	5-21, 5-63	1319521	5-30, 5-34, 5-72	1319602	5-97, 5-99, 5-101, 5-103, 5-105, 5-107	1319647	5-109
13194235-25, 5-27, 5-67, 5-69		1319522	5-30, 5-34, 5-72	1319603	5-97, 5-99, 5-101, 5-103, 5-105, 5-107	1319648	5-109
1319425	5-25, 5-29, 5-33, 5-67, 5-71	1319523	5-30, 5-34, 5-72	1319604	5-97, 5-99, 5-101, 5-103, 5-105, 5-107	1319649	5-109
1319429	5-25, 5-67	1319524	5-30, 5-34, 5-72	1319605	5-97, 5-99, 5-103	1319650	5-111
1319431	5-29, 5-33, 5-71	1319525	5-29, 5-33, 5-72	1319606	5-97, 5-99, 5-103	1319652	5-111, 5-113
1319433	5-25, 5-67	1319526	5-29, 5-33, 5-71	1319607	5-97	1319659	5-111
13194365-25, 5-27, 5-67, 5-69		1319527	5-29, 5-33, 5-71	1319608	5-97, 5-99, 5-101, 5-103, 5-105, 5-107	1319661	5-111, 5-113
1319444	5-56, 5-79	1319529	5-29, 5-33, 5-71	1319609	5-97, 5-99, 5-101, 5-103, 5-105, 5-107	1319662	5-111
1319445	5-43, 5-79	1319530	5-29, 5-33, 5-71	1319610	5-97, 5-99, 5-101, 5-103, 5-105, 5-107	1319666	5-27, 5-30, 5-69
13194475-43, 5-47, 5-79, 5-83		1319531	5-29, 5-33, 5-71	1319611	5-97, 5-99, 5-101, 5-103, 5-105, 5-107	1319670	5-113, 5-117
1319448	5-79	1319532	5-29, 5-33, 5-71	1319612	5-97, 5-99, 5-101, 5-103, 5-105, 5-107	1319671	5-113
1319449	5-79	1319533	5-29, 5-33, 5-71	1319613	5-99	1319673	5-113
1319450	5-79	1319534	5-29, 5-33, 5-71	1319614	5-99	1319674	5-113
1319451	5-79	1319535	5-30, 5-34, 5-72	1319615	5-99, 5-103, 5-105	1319675	5-113
1319452	5-79	1319536	5-30, 5-34, 5-72	1319616	5-101	1319676	5-113
1319453	5-79	1319537	5-30, 5-34, 5-37, 5-72, 5-75	1319617	5-101, 5-105, 5-107	1319677	5-113
1319454	5-79	1319538	5-30, 5-34, 5-72	1319618	5-101, 5-105, 5-107	1319678	5-113
1319455	5-79	1319539	5-30, 5-34, 5-37, 5-72, 5-75	1319619	5-101	1319679	5-113
1319456	5-79	1319540	5-30, 5-34, 5-37, 5-72, 5-75	1319620	5-101, 5-105, 5-107	1319680	5-113
1319457	5-79	1319541	5-30, 5-34, 5-72	1319621	5-101, 5-105, 5-107	1319681	5-113
1319458	5-79	1319542	5-30, 5-34, 5-37, 5-72, 5-75	1319622	5-101, 5-105, 5-107	1319682	5-113
1319459	5-79	1319543	5-29, 5-33, 5-71	1319623	5-101, 5-105, 5-107	1319683	5-113
1319460	5-79	1319544	5-30, 5-34, 5-37, 5-72, 5-75	1319624	5-101, 5-105, 5-107	1319684	5-113
1319461	5-79	1319545	5-30, 5-34, 5-37, 5-72, 5-75	1319625	5-101, 5-105, 5-107	1319685	5-113
1319462	5-43, 5-79	1319557	5-93	1319626	5-101, 5-105, 5-107	1319686	5-113
1319463	5-79	1319558	5-93	1319627	5-101, 5-105, 5-107	1319687	5-113
13194645-43, 5-47, 5-79, 5-83		1319559	5-93	1319628	5-101, 5-105, 5-107	1319688	5-113
1319472	5-47, 5-79, 5-83	1319563	5-93	1319629	5-101, 5-105, 5-107	1319690	5-113
1319475	5-43, 5-79	1319565	5-93	1319630	5-101, 5-105, 5-107	1319691	5-113
1319476	5-43, 5-79	1319566	5-93	1319631	5-101, 5-105, 5-107	1319692	5-113
13194775-43, 5-47, 5-80, 5-83		1319569	5-95	1319632	5-101, 5-105, 5-107	1319693	5-113
1319483	5-85	1319570	5-95			1319694	5-113
1319484	5-85	1319571	5-95			1319695	5-113
1319485	5-85	1319574	5-95			1319696	5-113, 5-117
1319491	5-29, 5-33, 5-71	1319575	5-95			1319697	5-113
1319496	5-29, 5-33, 5-71	1319576	5-95			1319698	5-113
1319497	5-29, 5-33, 5-71	1319577	5-95			1319699	5-113
1319499	5-29, 5-33, 5-71	1319578	5-27, 5-37, 5-51, 5-69, 5-75, 5-87, 5-95			1319700	5-113
1319500	5-29, 5-33, 5-71	1319582	5-95, 5-119			1319701	5-113
13195015-29, 5-30, 5-33, 5-71		1319583	5-95			1319702	5-113, 5-117
1319502	5-29, 5-30, 5-33, 5-34, 5-71, 5-72	1319584	5-95			1319703	5-113, 5-117
1319504	5-29, 5-33, 5-71	1319585	5-95, 5-119			1319704	5-113
1319505	5-29, 5-33, 5-71	1319586	5-95			1319705	5-113
1319506	5-25, 5-29, 5-33, 5-49, 5-67, 5-71, 5-85	1319587	5-95			1319707	5-113, 5-117
1319510	5-30, 5-34, 5-72					1319708	5-113
						1319709	5-117
						1319710	5-117
						1319711	5-117
						1319712	5-117



PART NUMBER INDEX

Part Number	Page	Part Number	Page	Part Number	Page	Part Number	Page
1319713	5-117	1321217	5-21	1706288	11-8	2220474	8-15, 8-21, 8-23
1319714	5-117	1321218	5-21	1706296	11-8	2220498	8-9, 8-13
1319715	5-117	1321219	5-21	1706298	11-8	2220500	8-15, 8-23, 8-25, 8-29, 8-33, 8-37, 9-61
1319718	5-119	1321220	5-21	1706299	11-8	2220501	8-3, 8-7, 8-17
1319719	5-119	1321221	5-21	1706300	11-4, 11-9	2220578	8-9, 8-13
1319720	5-119	1321225	5-21, 5-63	1706301	11-8	2220596	8-21, 8-23, 8-50
1319721	5-119	1321226	5-47, 5-79, 5-83	1706306	11-8	2220602	8-17, 8-23, 8-46
1319722	5-119	1321228	5-43, 5-47	1706768	11-9	2220603	8-3, 8-7, 8-34, 8-46
1319723	5-119	1321229	5-55	1706798	11-4, 11-9	2220606	8-3, 8-7
1319724	5-119	1321230	5-13	1706799	11-4, 11-9	2220609	3-13, 3-15
1319725	5-119	1321231	5-85	1706800	11-4, 11-9	2220628	3-13, 3-15, 3-21
1319726	5-119	1321232	5-49	1706850	11-9	2220635	8-3, 8-7
1320016	4-35	1321233	5-49	1706892	3-37	2220651	8-49
1320022	4-39	13212345-25, 5-27, 5-67, 5-69		2000392	4-5	2220655	8-37, 8-41, 8-45
1320131	10-27	1321237	5-56	2000395	4-9	2220657	8-3, 8-7, 8-21
1321148	5-25, 5-67	1321238	5-85	2000397	4-9, 4-13	2220677	5-3
1321149	5-25, 5-67	1321239	5-79	2060045	4-9	2220683	8-21, 8-23
1321150	5-29, 5-33, 5-71	1321242	5-85	2060046	4-9	2220695	8-9, 8-13
1321151	5-29, 5-33, 5-71	1321244	5-39	2080040	3-38	2220710	8-37, 8-41, 8-45
1321152	5-29, 5-33, 5-71	1321245	5-79	2080044	3-37	2220775	3-13, 8-21
1321153	5-21, 5-63	1321246	5-79	2110606	3-11, 3-45	2220833	8-23
1321154	5-21, 5-63	1321247	5-85	2110608	3-11	2220947	8-45
1321155	5-79	1321248	5-14	2110808	3-11	2220950	9-61
1321157	5-43, 5-79	1321249	5-43	2111210	4-35, 8-57	2220999	8-23, 8-34, 8-37, 8-38, 8-41, 8-45
1321158	5-29, 5-33, 5-71	1321250	5-43	2111212	4-35, 8-38	2221123	8-3, 8-7
1321159	5-30, 5-34, 5-72	1321251	5-43	2120223	4-47	2221154	4-9, 4-14
1321162	5-29, 5-33, 5-71	1321253	5-25	2130606	3-45, 8-3, 8-7	2230025	8-49
1321163	5-29, 5-33, 5-71	1321254	5-43	2130608	3-45	2230035	8-3, 8-7
1321172	5-77	1321255	5-49	21312108-55, 8-57, 8-59, 8-61		2230044	8-49
1321174	5-29, 5-33, 5-71	1321256	5-43	2131212	4-39, 8-59, 8-61	2230046	8-9
1321175	5-43	1321257	5-43	2131216	4-30, 4-33	2340037	3-31
1321178	5-77	1321258	5-49	2151210	4-35, 8-57	2340038	3-31
1321184	5-21, 5-63	1321259	5-63	2170212	4-39	2340039	3-31
1321185	5-13	1321260	5-63	2170706	8-3, 8-7	2340045	3-31
1321186	5-13	1321797	4-5	2172106	3-11, 8-3, 8-7	2340046	3-31
1321187	5-13	1321968	4-5	2220008	6-29	2600281	3-37
1321189	5-13	1321976	4-5	2220009	6-29	2711992	3-9
1321190	5-13	1322073	4-13	2220067	6-30	2713082	8-49
1321191	5-49	1600429	7-11	2220070	6-30	2713452	8-15
1321194	5-14	1684448	9-13	22202378-37, 8-41, 8-45, 9-61		2713642	8-15, 8-49
1321196	5-13	1701509	3-38	2220239	9-61	2714973	9-33, 9-37
1321197	5-13	1701640	11-9	2220251	6-27	2716143	12-17
1321198	5-13	1702773	3-37	2220371	3-9, 3-21, 8-3, 8-7, 8-17, 8-21, 8-37, 8-41, 8-45, 8-46	2716153	12-13
1321199	5-13	1704277	3-38	2220372	3-9, 8-17, 8-21	2716163	9-39
1321201	5-14	1704885	3-37, 11-4, 11-8	2220373	8-15, 8-23, 8-25, 8-29, 8-37, 8-42, 8-46, 8-49	2716173	9-3
1321202	5-14	1706098	11-9	2220374	8-21, 8-25, 8-29, 8-33, 8-37, 8-41, 8-45	2716563	9-23, 9-27
1321203	5-14	1706100	11-4, 11-8	2220375	8-9, 8-13	2716564	9-29
1321204	5-14	1706169	11-4, 11-8	2220381	8-23	2716617	9-7, 9-15
1321205	5-49	1706173	11-4, 11-8	2220385	8-21, 8-23, 8-33, 8-37, 8-41, 8-45	2716618	9-17, 9-21
1321206	5-39	1706174	11-4, 11-8	2220415	3-13, 3-15	2716621	8-53
1321207	5-39	1706175	11-4, 11-8	2220473	3-13, 3-15, 8-3, 8-7, 8-17, 8-21	2716622	8-53
1321208	5-39	1706176	11-5, 11-9			2716654	8-9, 8-13
13212095-25, 5-27, 5-67, 5-69		1706200	11-4, 11-8			2716655	8-9, 8-13
1321210	5-14	1706201	11-4, 11-8			2716657	8-9
1321211	5-56	1706279	11-8			2716658	8-25, 8-29
1321212	5-14	1706281	11-8			2716660	8-3, 8-7
1321213	5-13	1706282	11-8				
1321214	5-49	1706284	11-8				
1321215	5-21, 5-63	1706285	11-8				



Part Number	Page	Part Number	Page	Part Number	Page	Part Number	Page
2716661	8-23	2717200	12-15	3311601	2-9	4110184	11-4
2716663	8-25, 8-29, 8-34, 8-38, 8-41, 8-45	2717201	9-41	3380679	6-3	4110186	11-4, 11-8
2716664	8-21	2717203	9-19	3400022	7-9	4110187	11-4, 11-8
2716665	8-21	2717216	9-25	3421453	3-38	4110188	11-4, 11-9
2716668	8-25, 8-29, 8-37, 8-41, 8-45	2717254	9-35	3423226	2-9, 12-25	4110217	11-4, 11-8
2716669	8-21	2717259	9-11	3423227	1-5, 1-9, 2-9, 9-7, 9-15, 9-33, 9-37, 12-25	4110218	11-4, 11-8
2716670	8-3, 8-7	2717283	3-45	3423242	3-7, 3-11	4110226	11-4, 11-8
2716671	8-23	2717287	3-13, 3-15	3423248	1-15	4110242	11-4, 11-8
2716672	8-23	2717290	8-33	3423254	5-3, 5-7	4110339	11-4, 11-8
2716673	8-23	27172918-33, 8-37, 8-41, 8-45		3423275	3-7, 3-11	4110389	11-4
2716675	8-9, 8-13	2720549	4-45	3423276	3-7, 3-11, 3-15	4110422	3-23, 3-25, 3-27
2716677	8-49	2720551	4-21	3423307	3-11	4110461	3-35
2716679	8-25	2720555	4-29, 4-33	3460383	8-9, 8-13, 12-25	4110473	3-13, 3-45
2716681	8-25	2720634	4-35	3460384	8-9, 8-13, 12-25	4341004	4-5
2716682	8-15	2720635	4-35	3460591	4-35	4341012	4-45
2716686	8-17	2720636	4-47	3460592	4-35	4341396	4-9
2716687	8-17	2720637	4-47	3460595	4-39	4360609	10-13, 10-17, 10-23
2716688	8-17	2720643	4-23	3460596	4-39	4360690	7-15, 12-29
2716690	8-25, 8-29, 8-33, 8-37, 8-41, 8-45	2720645	4-35, 4-39	3520030	1-9	4420037	1-13
2716691	8-17	2720648	4-39	3520072	3-37	4460312	10-23
2716692	8-3	2720649	4-39	3520198	3-37	4460590	10-23
2716694	8-25, 8-29, 8-33, 8-37, 8-41, 8-45	2720650	4-39	3575947	4-6, 4-9, 4-14	4460591	10-23
2716695	8-3, 8-7	2754309	8-9	3576433	10-18	4460790	10-33
2716696	8-23	2754314	8-9	3576442	7-9	4460842	10-23
2716698	8-25, 8-29	2754736	8-3, 8-7	3620059	4-29, 4-33	4460850	10-23
2716699	8-3, 8-7	2754753	8-3, 8-7	3620081	4-35	4461101	12-29
2716700	8-3, 8-7	2755057	8-9	3620083	4-39	4461102	12-29
2716701	8-3, 8-7	2755058	8-9	3760170	3-38	4461103	12-29
2716703	8-3, 8-7	2755059	8-9	3820020	3-37	4461215	10-23
2716705	8-23	2755060	8-9, 8-13	3841203	3-11	4520314	5-127
2716706	8-23	2755083	8-59	3980039	6-21	4520318	5-124
2716707	8-3, 8-7	2755084	8-59	4060805	4-6	4520319	5-123
2716708	8-23	2755085	8-41	4060807	4-6	4520321	5-123
2716709	8-21	2755086	8-41	4100109	4-55	4520412	5-123
2716710	8-21	2900770	9-7, 9-9, 9-15, 9-17, 9-19, 9-21, 9-39, 9-41, 9-63, 12-17	4100181	11-4, 11-8	4520413	5-123
2716711	8-21	2915023	9-65	4100187	11-4, 11-8	4520466	5-123
2716712	8-21	2915052	12-27	4105171	11-4, 11-8	4520467	5-123
2716713	8-49	2915054	4-33	4105262	11-4, 11-8	4520469	5-123
2716714	8-15	2915063	10-14	4105621	7-21	4520527	5-127
2716715	8-15	2915064	4-33	4107442	11-4, 11-8	4520530	5-127
2716716	8-9, 8-13	2915063	10-14	4107462	11-4, 11-8	4520531	5-127
2716750	8-25, 8-29, 8-33, 8-37, 8-41, 8-45	2915160	12-29	4107692	3-13	4520533	5-127
2716808	8-25, 8-29, 8-33, 8-37, 8-41, 8-45	2915170	4-6	4107702	3-13	4520648	5-124
2717052	9-5	2915184	10-18	4107712	3-13	4520649	5-124
2717149	8-55	2940074	3-37	4107832	3-25	4520650	5-124
2717150	8-55	31200160	3-37	4107901	11-5	4569499	4-55
2717158	8-29, 8-33	31200386	3-37	4107971	11-4, 11-8	460850	10-33
2717159	8-29, 8-33	31200387	3-37	4108232	3-9	4640438	9-63
2717160	3-45	31200388	3-37	4108302	11-4, 11-8	4641501	3-45
2717161	3-45	3140007	6-3	4108991	11-4	4641502	3-45
2717162	3-45	3251813	11-4, 11-8	4110137	11-4	4711400	3-38, 4-33, 4-35, 4-39, 10-13, 10-17, 10-27
2717198	9-31	3281605	4-41	4110155	11-4, 11-8	4711500	4-35
2717199	9-9	3290601	10-27	4110157	11-4, 11-8	4711600	2-9, 4-25
		3290801	10-27	4110158	11-4, 11-8	4751400	3-37, 4-49
		3300240	3-7, 3-11	4110160	11-4, 11-8	4751500	4-13, 4-47, 4-49
		3311405	3-38	4110166	11-4, 11-8	4751600	4-39, 4-41, 4-57, 4-59, 12-31
		3311505	4-9, 4-13	4110167	11-4, 11-8		
		3311508	10-17, 10-23	4110172	11-4		



PART NUMBER INDEX

Part Number	Page	Part Number	Page	Part Number	Page	Part Number	Page
4751700	4-41, 4-57, 12-31	70020351	4-9, 4-13	70021111	5-67	70021977	3-21, 3-23
4761500	4-13, 4-35	70020352	4-9, 4-13	70021305	6-4	70021978	3-21, 3-23
4761600	4-25	70020353	4-23	70021306	6-4	70021979	3-21, 3-23
4762600	1-9	70020356	4-9, 4-13	70021342	3-23, 3-41	70021980	3-41
4791500	6-4	70020357	4-9, 4-13	70021349	3-21, 3-23	70021981	3-41
4811700	12-29	70020358	4-9, 4-13	70021358	3-41	70021982	3-41
4811900	4-17	70020359	4-35	70021359	3-41	70022028	3-21, 3-23
4812000	10-27	70020360	4-35	70021360	3-41	70022038	9-63
4812300	7-17, 7-19, 7-21	70020361	4-35	70021361	3-41	70022039	9-63
4831700	10-27	70020362	4-35	70021362	3-41	70022040	9-63
4831900	4-17, 10-27	70020363	4-35	70021364	3-41	70022041	9-63
4832000	4-17	70020364	4-35	70021365	3-41	70022042	9-63
4846452	3-37	70020365	4-35	70021366	3-41	70022043	9-63
4891500	4-9	70020367	4-5	70021367	3-41	70022044	9-65
4891800	3-11	70020408	5-29, 5-33, 5-71	70021387	3-21, 3-41	70022045	9-65
4892200	1-9	70020409	5-29, 5-33, 5-71	70021391	3-41	70022046	9-65, 12-15
4892600	1-9	70020413	5-39, 5-67	70021392	3-41	70022052	5-79
4923267	10-13	70020425	5-111	70021393	9-67	70022170	5-47, 5-83
4923283	10-14, 10-18, 10-24	70020426	5-111	70021399	3-41	70022171	5-37, 5-75
4923332	12-29	70020427	5-117	70021410	4-23	70022172	5-27, 5-69
4923334	12-29	70020428	9-65, 12-13, 12-15	70021415	3-23	70022173	5-27, 5-69
4923364	10-17	70020430	5-109	70021440	9-67	70022174	5-27, 5-69
4923649	12-5	70020431	5-109	70021444	9-67	70022175	5-27, 5-69
5724302	1-3, 1-5, 7-3	70020483	5-29, 5-33, 5-71	70021446	9-67	70022176	5-37, 5-75
5724622	2-3, 2-7, 2-9	70020484	5-29, 5-33, 5-71	70021447	9-67	70022177	5-27, 5-69
5724742	1-11	70020485	5-29, 5-33, 5-71	70021448	9-67	70022178	5-27, 5-69
5746411	2-21	70020486	5-29, 5-30, 5-33, 5-71, 5-72	70021451	9-67	70022179	5-47, 5-83
6040500	3-5	70020487	5-29, 5-30, 5-33, 5-34, 5-71, 5-72	70021452	9-67	70022180	5-27, 5-69
6040600	3-5			70021464	9-67	70022181	5-27, 5-69
6040700	3-5			70021465	9-67	70022183	5-37, 5-75
6604662	3-13, 3-15	70020555	3-29	70021466	9-67	70022184	5-27, 5-69
6608621	3-13	70020562	3-41	70021495	5-25, 5-67	70022185	5-23, 5-65
6620472	6-27	70020628	6-17	70021553	5-47, 5-79, 5-83	70022186	5-37, 5-75
6620551	4-39	70020631	6-29	70021554	5-47, 5-79, 5-83	70022187	5-47, 5-83
6620561	4-39	70020658	9-41	70021557	9-43	70022188	5-47, 5-83
6621412	10-13, 10-17, 10-22	70020659	9-71	70021564	9-27	70022189	5-37, 5-75
6623576	12-19	70020660	9-71	70021568	5-25, 5-67	70022190	5-37, 5-75
70001955	9-49	70020661	9-71	70021569	5-25, 5-67	70022191	5-41
70001956	9-49	70020662	9-71	70021570	5-25, 5-67	70022192	5-41
70002133	9-49	70020663	9-71	70021571	5-25, 5-67	70022193	5-37, 5-75
70002578	9-49	70020665	9-71	70021617	5-25, 5-67	70022194	5-37, 5-75
70002579	9-49	70020666	9-71	70021726	5-25, 5-67	70022195	5-41
70002580	9-49	70020667	9-71	70021789	5-43	70022196	5-37, 5-75
70002581	9-49	70020668	9-71	70021790	5-43, 5-47	70022197	5-51, 5-87
70002582	9-49	70020669	9-71	70021794	4-13	70022198	5-37, 5-75
70002583	9-49	70020670	9-71	70021809	4-13	70022199	5-41
70002584	9-49	70020671	9-71	70021810	4-5	70022200	5-23, 5-65
70002585	9-49	70020672	9-71	70021812	9-65, 12-15	70022201	5-27, 5-69
70002588	9-49	70020673	9-71	70021824	10-22	70022202	5-41
70002590	9-49	70020674	9-71	70021825	10-22	70022203	5-47, 5-83
70002592	9-49	70020675	9-71	70021847	4-17	70022204	5-27, 5-69
70002593	9-49	70020676	9-71	70021849	4-17	70022206	5-27, 5-69
70002595	9-49	70020677	9-71	70021850	4-17	70022207	5-51, 5-87
70002599	9-50	70020678	9-71	70021851	4-25	70022208	5-47, 5-83
70020228	4-61, 4-63	70020679	9-71	70021852	4-17	70022209	5-37, 5-75
70020347	4-9, 4-13	70020680	9-69, 9-71	70021854	4-17	70022210	5-27, 5-69
70020348	4-23	70020681	9-71	70021921	3-21, 3-23	70022211	5-23, 5-65
70020349	4-23	70020682	9-71	70021935	3-21, 3-23	70022213	5-18, 5-60
70020350	4-9, 4-13	70020891	10-22	70021948	6-17	70022215	5-37, 5-41, 5-75



Part Number	Page	Part Number	Page	Part Number	Page	Part Number	Page
70022216	5-17, 5-59	70022287	9-49	70022995	3-48	70023482	5-91
70022217	5-27, 5-69	70022288	9-49	70022998	3-49	70023483	5-91
70022218	5-47, 5-83	70022527	3-41	70023003	3-48	70023505	9-58
70022220	5-18, 5-60	70022528	3-21	70023004	3-48	70023506	9-58
70022221	5-51, 5-87	70022529	3-21	70023005	3-49	70023507	9-58
70022223	5-47, 5-83	70022610	5-25, 5-67	70023006	3-49	70023508	9-58
70022225	5-23, 5-65	70022634	4-9, 4-13	70023007	3-49	70023509	9-58
70022226	5-23, 5-65	70022694	4-41	70023008	3-48	70023510	9-58
70022227	5-23, 5-65	70022695	4-41	70023009	3-48	70023519	9-58
70022228	5-23, 5-65	70022719	9-57	70023010	3-48	70023520	9-58
70022229	5-23, 5-65	70022720	9-57	70023014	3-48	70023521	9-58
70022230	5-47, 5-83	70022721	9-57	70023015	3-49	70023558	6-21
70022231	5-17, 5-59	70022722	9-57	70023016	3-48	70023564	4-17
70022232	5-17	70022723	9-57	70023037	9-69, 9-71	70023565	4-17
70022234	5-47, 5-83	70022724	9-58	70023038	9-69, 9-72	70023601	4-41
70022235	5-37, 5-75	70022735	10-22	70023039	9-71	70023625	4-5
70022236	5-37, 5-75	70022736	10-22	70023040	6-21	70023626	4-5
70022237	5-47, 5-83	70022737	10-23	70023041	6-21	70023627	4-5
70022238	5-47, 5-83	70022738	10-23	70023054	4-39	70023628	4-5
70022239	5-51, 5-87	70022739	10-23	70023055	4-39	70023736	4-9, 4-13
70022240	5-47, 5-83	70022741	10-23	70023056	4-39	70023790	4-5
70022241	5-27, 5-69	70022746	10-23	70023057	4-39	70023808	4-17
70022242	5-51, 5-87	70022777	5-69	70023058	4-39	70023885	5-95, 5-119
70022243	5-51, 5-87	70022781	5-83	70023059	4-39	70023890	6-21
70022244	5-18, 5-60	70022782	5-83	70023060	4-39	70023904	5-23
70022245	5-18, 5-60	70022784	5-87	70023139	6-21	70023910	5-23, 5-65
70022248	5-41	70022785	5-87	70023194	4-9, 4-13	70023925	3-49
70022249	5-47, 5-83	70022786	5-59	70023261	5-49	70023947	4-25
70022250	5-75	70022787	5-59	70023270	9-11	70023948	4-25
70022251	5-41	70022789	5-69	70023284	4-13	70023949	4-25
70022252	5-41	70022842	4-17	70023285	4-13	70023950	4-25
70022253	5-37, 5-75	70022843	4-17	70023286	4-13	70023968	4-30, 4-33
70022254	5-27, 5-69	70022844	4-17	70023287	4-9	70023996	9-49
70022255	5-27, 5-69	70022845	4-17	70023296	4-5	70023997	9-49
70022257	5-47, 5-83	70022846	4-17	70023297	4-5	70023998	9-49
70022258	5-37	70022931	3-48	70023330	5-49	70023999	9-49
70022260	5-23	70022932	3-48	70023350	9-50	70024000	9-49
70022261	5-23	70022934	3-48	70023351	9-49	70024002	9-63
70022262	5-23, 5-65	70022935	3-49	70023352	9-49	70024039	9-49
70022263	5-23	70022936	3-49	70023353	9-49	70024040	9-49
70022264	5-23	70022937	3-49	70023354	9-49	70024041	9-49
70022265	5-47	70022939	3-49	70023355	9-49	70024044	9-69
70022268	5-47	70022942	3-49	70023357	9-49	70024045	9-69
70022270	5-51	70022946	3-49	70023358	9-49	70024046	9-69
70022271	5-49, 5-51	70022949	3-49	70023359	9-49	70024047	9-69
70022272	5-17	70022950	3-49	70023362	9-49	70024048	9-69
70022273	5-51	70022952	3-49	70023363	9-49	70024049	9-69
70022274	5-51	70022957	3-48	70023364	9-49	70024050	9-69
70022275	5-37	70022960	3-48	70023400	5-59	70024059	3-21
70022276	5-83	70022969	3-48	70023401	5-65	70024060	3-21
70022277	5-27, 5-69	70022970	3-48	70023402	5-65	70024061	3-21
70022278	5-51	70022980	3-49	70023403	5-65	70024062	3-21
70022279	5-51	70022984	3-48	70023404	5-69, 5-75, 5-87	70024063	3-21
70022280	5-59	70022985	3-48	70023405	5-83	70024064	3-21
70022281	5-51, 5-87	70022987	3-48	70023443	4-9, 4-13	70024306	3-31
70022282	5-75	70022990	3-49	70023444	4-9, 4-13	70024307	3-31
70022283	5-51, 5-87	70022992	3-48	70023453	9-57	7007207	9-49
70022284	5-65	70022993	3-48	70023454	9-57	7007415	9-49
70022285	5-65	70022994	3-48	70023455	9-58	7007446	9-49



PART NUMBER INDEX

Part Number	Page	Part Number	Page	Part Number	Page	Part Number	Page
7012903	9-31	7029329	9-11, 9-13	7090951	1-15	7117113	2-17
7017496	9-31	7029330	9-11, 9-13	7091323	7-21	7117133	2-21
7021275	9-49	7029367	7-11	7091373	1-15	7117204	3-9
7022340	9-49	7029417	5-119	7092292	1-3, 2-3	7117214	3-9
7023962	9-49	7029418	5-25	7094682	1-11	7117244	3-9
7023964	9-49	7029516	7-7	7095272	4-3, 4-5	7117254	3-9
7024441	9-61	7029520	3-29	7095302	4-43	7117264	3-9
7024574	9-65, 12-13, 12-15	7029521	3-29	7095312	2-17, 2-21	7117414	2-19
7024922	9-47	7029525	4-6, 4-13	7095352	2-17, 2-21	7117502	2-27
7024947	9-47	7029532	5-99, 5-101, 5-109	7095393	4-43	7117572	2-25, 2-27
7024948	9-47	7029533	5-99, 5-101, 5-109	7095522	2-17, 2-21	7117582	2-27
7024949	9-47	7029692	3-23, 3-41	7095831	4-3, 4-5, 4-13, 4-17	7118222	9-61
7024950	9-47	7029714	3-41	7096491	6-19	7118854	2-15
7024954	9-47	7029716	9-61	7096552	2-3, 2-7, 2-9	7118882	2-23
7024955	9-47	7029720	5-111	7096562	2-3, 2-7, 2-9	7118892	2-23
7024956	9-47	7029721	5-111	70967022-15, 2-17, 2-19, 2-21		7118993	3-5
7024957	9-47	7029760	9-63	7096772	2-3, 2-7, 2-9	7119800	3-25
7024958	9-47	7029829	4-5	7096882	2-7, 2-9, 2-13, 2-15, 2-17, 2-19	7124301	1-3, 1-5, 1-9
7026579	9-5	7029830	4-5	7097323	4-43	7124451	1-3, 1-5, 1-9, 10-22
7026663	5-67	7029831	4-5	7097682	2-3	7124471	1-3, 1-5, 1-9
7026664	5-44, 5-80	7029860	6-23	7098142	7-19	7124491	1-15
7026666	4-5, 4-6	7029944	4-6	7099882	2-3, 2-7, 2-10, 10-27	7125741	2-21, 3-9
7026726	4-35	7029945	4-6	7110002	2-13	7125800	3-13
7026758	5-97, 5-99, 5-101, 5-103, 5-105, 5-107	7029991	4-5	7110172	2-21	7125801	1-15
7026759	5-97, 5-99, 5-101, 5-103, 5-105, 5-107	7054351	4-3, 4-5, 4-13, 4-17, 5-3, 5-7	7110172	2-21	7125811	2-17, 2-21, 10-18
7026760	5-97, 5-99, 5-101	7057141	4-27, 4-29, 4-33, 4-35, 4-39	7110494	3-13	7125871	1-3, 1-5, 1-9, 7-19
7026798	6-21	7062922	3-13, 3-15	7110694	3-13	7126662	2-25, 2-27
7026799	6-21	7065482	3-9	7110702	3-13, 3-15	7126703	4-27
7026900	6-21	7070191	3-9	7110712	3-13, 3-15	7126992	4-51
7026901	6-21	7075611	2-3, 2-7, 2-9	7110722	3-13, 3-15	7127081	4-19, 4-21
7026902	6-21	7077481	3-9	7110744	3-3	7127091	7-5
7026905	6-21	7077501	3-9	7111402	8-49	7127102	7-5
7026906	6-21	7077511	3-9	7111572	2-7, 2-9, 2-13, 2-15, 2-17, 2-19, 2-21	7127852	2-21
7026972	9-15	7079442	5-3, 5-7	7112452	8-15, 8-49	7127862	2-21
7027211	5-25, 5-67	7079572	2-3, 2-7, 2-10, 2-13, 2-15, 2-17, 2-19, 2-21	7112523	3-17	7127871	4-19, 4-21
7027212	5-39	7082311	2-7, 2-9, 2-13, 2-15, 2-17, 2-19, 2-21	7112533	3-17	7127881	4-19
7027217	5-27, 5-30, 5-69	7082342	2-7, 2-9, 2-13, 2-15, 2-17, 2-19, 2-21	7112592	10-11, 10-13, 10-17, 10-22, 10-28	7128772	3-5, 3-9
7027273	5-109	7082362	2-3, 2-7, 2-9, 2-13, 2-15, 2-17, 2-19, 2-21	7112642	3-17, 3-19	7128792	3-5, 3-9
7028737	6-11	7083992	2-17, 2-21	7112704	3-17	7129300	3-17
7028783	4-6	7085411	3-9	7112732	2-19	7129521	7-3
7028977	5-43, 5-79	7085422	4-27, 4-29, 4-33	7112804	3-25	7129973	4-27
7028979	5-79	7085501	3-9	7112814	3-25	7130131	4-27
7029005	4-33	7085552	2-23	7113024	3-25	7131253	4-27
7029006	12-27	7085562	2-23	7113034	3-25	7132131	4-35, 4-36
7029037	5-111	7085571	2-23	7114032	2-27	7133802	8-9
7029104	5-39	7086471	3-13	7114112	2-25, 2-27	7133812	8-9
7029153	9-31	7089722	9-17, 9-21	7114922	2-21	7133843	8-49
7029159	9-11, 9-13	7090822	1-15	7114941	3-17, 3-19	7133853	8-49
7029242	12-27	7090832	1-15	7116642	2-13, 2-15	7137142	1-3, 1-5, 1-9
7029246	9-31	7090871	1-15	7116652	2-13, 2-15	7138209	9-61
7029264	4-61, 4-63	7090891	1-15	7116662	2-13, 2-15	7138290	4-3
7029265	4-61, 4-63			7116691	2-13, 2-15	7138318	4-3
7029270	4-5			7116733	2-13, 2-15	7138368	1-3, 1-5, 1-9
7029327	9-11, 9-13			7116784	2-13	7138468	2-3, 2-7, 2-9
7029328	9-11, 9-13			7116792	2-3, 2-7, 2-9	7138515	4-27
				7116812	2-13, 2-15	7138587	4-51
				7117031	2-29, 2-31	7138601	1-15
						7138609	1-15
						7138634	5-3, 5-7



Part Number	Page	Part Number	Page	Part Number	Page	Part Number	Page
7138638	5-121	7139212	8-3, 8-7	7150702	12-5, 12-9	7301833	4-29, 4-33
7138639	5-121	7139226	12-21	7150703	12-5, 12-9	7301835	10-13, 10-17, 10-21
7138658	5-123	7139250	6-15	7150704	12-9	7301836	10-13, 10-17, 10-21
7138659	5-123	7139263	12-23	7150705	12-3	7301841	10-13
7138660	5-123	7139264	12-23	7150706	12-19	7301862	9-61
7138661	5-123	7139267	6-11	7150707	12-3	7301863	9-61
7138662	5-127	7139268	6-11	7150708	7-13, 7-15	7301866	6-27
7138663	5-127	7139269	12-23	7150714	10-11	7301893	10-13, 10-17, 10-21, 10-27
7138709	1-11, 1-13	7139271	10-4	7150716	12-5, 12-9	7302010	2-7, 2-9, 12-25
7138712	4-27	7139290	6-15	7150717	12-5, 12-9	7302024	2-7
7138730	1-11	7139292	6-15	7150722	10-31	7302031	4-61
7138740	9-61	7139293	6-15	7150723	10-31	7302034	5-121
7138805	5-121	7139294	6-15	7150730	12-3, 12-5, 12-9	7302039	1-5, 2-7
7138813	4-3, 4-5	7139295	6-15	7150741	12-9	7302073	6-3
7138815	4-51, 4-53	7139296	6-15	7150742	12-5	7302074	6-3
7138819	6-3	7139298	6-8, 6-11, 6-15	7150745	10-11	7302076	6-3
7138830	10-11	7139299	6-8, 6-11, 6-15	7150746	10-11	7302077	6-3
7138833	7-11	7139301	6-12	7300214	8-15	7302085	4-21, 4-23
7138836	7-11	7139316	6-8, 6-11, 6-15	7300343	10-13, 10-17, 10-21	7302086	2-4, 12-25
7138857	6-3	7139406	1-11, 1-13	7300344	10-14, 10-17, 10-22	7302189	11-5, 11-9
7138858	6-19, 6-21	7139407	1-11, 1-13	7300377	4-21	7302304	4-55
7138871	4-51	7139444	6-8, 6-11, 6-15	7300672	8-15, 12-25	7310012	4-6, 10-14, 10-18, 10-22
7138878	7-11	7139462	1-11	7300673	8-15, 12-25	77143006	4-35, 4-39, 10-28
7138879	1-3, 1-5	7139482	8-26	7300674	8-49, 12-25	77363230	10-22
7138881	4-3	7139504	8-15	7300675	8-49, 12-25	77363246	10-22
7138883	6-19	7139505	8-9, 8-13	7300972	4-45	77363347	10-23
7138888	1-3, 1-5	7139560	12-21	7300983	3-9	77373229	10-22
7138944	6-3	7139608	3-21	7301040	3-21	77383377	10-18, 10-22, 10-27, 12-29
7138951	6-8, 6-11, 6-15	7139737	10-31	7301054	5-123, 5-124	8024000	4-3
7138952	6-7, 6-11	7139743	5-43, 5-80	7301056	5-123, 5-124, 5-127	8024024	7-3
7138953	6-7, 6-11	7139746	3-31	7301180	3-35	8024030	4-27
7138958	6-8, 6-11, 6-15	7139747	3-31	7301252	9-61	8024031	4-27
7138977	2-29, 2-31	7139747	3-31	7301295	3-45	8024032	2-27
7138986	2-29, 2-31	7139863	2-23	7301408	3-31, 3-45	8024033	2-29, 2-31
7139027	7-3	7139864	2-23	7301448	10-14, 10-18, 10-21	8024035	5-3, 5-7
7139047	1-11, 1-13	7139918	3-45	7301498	4-51, 4-53	8024049	4-6
7139048	6-7, 6-11	7147400	12-19	7301498	4-51, 4-53	8024050	4-6
7139049	6-27, 6-29	7148100	6-27, 6-30	7301505	4-53	8025655	9-11, 9-13, 12-13, 12-15
7139050	6-7, 6-11	7148700	12-5	7301506	4-53	80263012	3-37
7139066	1-3, 1-5, 1-9	7150610	9-61	7301508	5-121	80264045	6-23
7139076	9-61	7150642	4-51	7301514	7-9, 10-4	80264074	6-17
7139077	9-61	7150653	1-11	7301515	10-13	80264082	6-7
7139086	12-21	7150655	9-61	7301522	10-13, 10-17, 10-21	80304082	5-18, 5-60
7139087	12-21	7150661	1-11, 1-13	7301523	10-13, 10-17, 10-21	80304088	5-17, 5-59
7139088	12-21	7150668	12-19	7301524	10-13, 10-17, 10-21	80304089	5-17, 5-59
7139135	6-3	7150668	12-19	7301525	10-14, 10-18, 10-21	80304090	5-17, 5-59
7139156	1-3, 1-5, 1-9	7150673	12-3	7301530	7-7	80304091	5-17, 5-59
7139157	1-3, 1-5, 1-9	7150679	12-5, 12-9	7301568	3-45	80304092	5-17, 5-59
7139159	5-123	7150680	12-6, 12-10	7301568	3-45	80304093	5-17, 5-59
7139160	5-123	7150681	12-5, 12-10	7301585	7-9	80304094	5-17, 5-59
7139161	5-123	7150685	12-5, 12-9	7301648	4-29, 4-33	80304095	5-17, 5-59
7139162	5-123	7150687	12-3, 12-5, 12-6, 12-9, 12-10	7301649	4-29, 4-33	80304096	5-17, 5-60
7139163	5-127	7150688	12-3	7301651	4-29, 4-33	80304097	5-18, 5-60
7139164	5-127	7150688	12-3	7301653	4-29, 4-33	80304099	5-18, 5-60
7139165	5-123	7150689	12-5, 12-9	7301676	11-4	80304100	5-18, 5-60
7139166	5-127	7150690	12-6, 12-10	7301677	11-4		
7139168	5-123	7150692	1-11	7301678	11-4		
7139174	6-27, 6-29	7150695	12-19	7301718	3-35		
7139180	2-25, 2-27	7150696	12-19	7301738	5-4, 5-8		
		7150697	12-19	7301818	10-4		
		7150699	12-5, 12-9	7301829	10-14		



PART NUMBER INDEX

Part Number	Page	Part Number	Page	Part Number	Page	Part Number	Page
80304101	5-18, 5-60		5-83	8035409	6-23	8035595	9-44
80304102	5-18, 5-60	80304227	5-49, 5-51	8035411	6-23	8035596	9-44
80304104	5-18, 5-60	80304405	5-43, 5-79, 5-93	80354166-7, 6-11, 6-17, 6-23,		8035597	9-44
80304107	5-18, 5-60	80304462	5-37, 5-75	6-27, 6-29		8035598	9-44
80304108	5-18, 5-60	8032694	9-58	8035417	6-27, 6-29	8035599	6-27, 6-29
80304110	5-17, 5-59	8032762	4-43	8035431	6-27, 6-29	8035607	9-7, 9-15
80304111	5-17, 5-59	8032764	4-43	8035437	6-7, 6-11	8035608	9-7, 9-15
80304112	5-17, 5-59	8032790	9-58	8035439	6-17	8035609	9-7, 9-15
80304113	5-17, 5-59	8032989	9-57	8035441	6-17	8035610	9-7, 9-15
80304115	5-17, 5-59	8032990	9-57	8035475	6-7	8035611	9-33, 9-37
80304117	5-17, 5-59	8032991	9-57	8035477	6-7	8035612	9-33, 9-37
80304118	5-17, 5-59	8032992	9-57	8035478	6-7	8035613	9-33, 9-37
80304119	5-17, 5-60	8032993	9-57	80354796-7, 6-11, 6-23, 6-27,		8035615	9-3, 9-5
80304120	5-18, 5-60	8032994	9-29, 9-31, 9-57	6-29		8035616	9-3, 9-5
80304121	5-18, 5-60	8032995	9-57	8035486	6-7	8035631	6-17
80304122	5-18, 5-60	8033065	6-23	8035487	6-7, 6-11, 6-27	8035632	6-17
80304123	5-18, 5-60	8033075	6-23	8035490	6-8, 6-12, 6-15	8035637	6-7
80304124	5-17, 5-59	8033178	7-5	8035492	6-25	8035639	6-7, 6-11
80304125	5-18, 5-60	8033340	4-3, 10-11	8035493	6-25	8035668	6-27, 6-29
80304126	5-18, 5-60	80334277	9-47	8035496	6-25	8035727	9-39
80304127	5-18, 5-60	8033786	9-65, 12-13, 12-15	8035498	6-25	8035728	9-39
80304128	5-18, 5-60	8033856	6-17, 6-29	8035499	6-25	8035729	9-39
80304129	5-18, 5-60	8034026	9-3, 9-5	8035500	6-25	8035730	9-39
80304130	5-18, 5-60	8034037	9-29	8035512	9-57	8035757	9-23, 9-27
80304131	5-18, 5-60	8034038	9-57	8035514	9-3, 9-5	8035758	9-23, 9-27
80304132	5-18, 5-60	8034695	9-37	8035523	6-8, 6-12, 6-15, 6-17	8035778	5-121
80304133	5-18, 5-60	8034697	9-53	80355369-3, 9-5, 9-65, 12-13,		8035780	9-21
80304134	5-18, 5-60	8034815	6-23	12-15		8035781	9-29, 9-31
80304135	5-18, 5-60	8035027	5-67	8035539	9-3, 9-5	8035783	9-29
80304136	5-18, 5-60	8035109	5-121	8035545	9-7, 9-15	8035800	9-3, 9-5
80304137	5-18, 5-60	8035276	10-11	8035547	9-33, 9-37	8035805	10-11
80304143	5-17, 5-59	8035281	9-29, 9-31	8035561	9-44	8035807	7-15
80304144	5-17, 5-59	8035282	9-29, 9-31	8035564	9-44	8035830	12-13
80304145	5-17, 5-59	8035308	9-7, 9-17, 9-21	8035567	9-43	8035834	9-53
80304146	5-17, 5-59	8035315	9-3, 9-5	8035568	9-43	8035843	9-53
80304147	5-17, 5-59	8035321	9-7, 9-9, 9-15, 9-17,	8035569	9-43	8035844	9-53
80304148	5-17, 5-59	9-19, 9-21		8035570	9-43	8035845	9-53, 9-54
80304149	5-17, 5-59	80353229-23, 9-27, 9-29, 9-39		8035571	9-43	8035848	9-53
80304150	5-17, 5-59	8035323	9-23, 9-27, 9-29	8035572	9-43	8035849	9-53
80304151	5-17, 5-59	8035324	9-23, 9-27, 9-29	8035573	9-43	8035855	9-54
80304152	5-17, 5-59	8035326	9-27	8035574	9-43	8035856	9-53
80304153	5-17, 5-59	8035327	9-7, 9-9, 9-15, 9-17,	8035575	9-43	8035861	12-13, 12-15
80304154	5-17, 5-59	9-19, 9-21, 9-23,		8035577	9-43	8035862	9-65, 12-13, 12-15
80304155	5-17, 5-59	9-27, 9-39, 9-41		8035578	9-43	8035863	9-65, 12-13, 12-15
80304156	5-17, 5-59	8035346	9-53	8035579	9-43	8035864	12-15
80304157	5-17, 5-59	8035347	9-53	8035580	9-43	8035865	12-17
80304158	5-17, 5-59	8035348	9-53	8035581	9-43	8035866	12-17
80304159	5-17, 5-59	8035358	9-53	8035582	9-43	8035867	12-17
80304160	5-17, 5-59	8035363	9-53	8035583	9-43	8035868	12-17
80304161	5-17, 5-59	8035365	9-54	8035584	9-43	8035871	5-13
80304162	5-17, 5-59	8035366	9-54	8035585	9-43	8035872	5-13
80304163	5-17, 5-59	8035367	9-53	8035586	9-43	8035873	5-13
80304164	5-17, 5-59	8035377	9-53, 9-54	8035587	9-43	8035874	5-13
80304165	5-17, 5-59	8035381	9-53	8035588	9-43	8035875	5-13
80304166	5-17, 5-59	8035386	9-15	8035589	9-43	8035876	5-13
80304167	5-17, 5-59	8035392	6-23	8035590	9-44	8035877	5-13
80304168	5-17, 5-59	8035393	6-23	8035591	9-44	8035878	5-13
80304169	5-17, 5-59	8035402	6-27, 6-29	8035592	9-44	8035879	5-13
80304173	5-43, 5-47, 5-79,	8035406	6-27, 6-29	8035593	9-44	8035881	5-13



Part Number	Page	Part Number	Page	Part Number	Page	Part Number	Page
8035882	5-13	8035968	5-43	8036057	6-7, 12-23	8036174	9-53
8035883	5-13	8035969	5-43	8036058	6-7, 12-23	8036175	9-53
8035884	5-13	8035970	5-43	8036059	6-7, 6-11	8036176	9-53
8035885	5-13	8035971	5-43	8036060	6-7, 6-11	8036177	9-54
8035886	5-13	8035972	5-43	8036061	6-7, 6-11	8036178	9-54
8035887	5-13	8035973	5-43, 5-79	8036062	6-17	8036179	9-53
8035888	5-13	8035974	5-43	8036064	6-17	8036183	9-53
8035889	5-13	8035977	5-49, 5-85	8036066	6-7, 6-11	8036184	9-53
8035890	5-13	8035978	5-25, 5-67	8036067	6-12	8036185	9-53
8035891	5-13	8035980	5-25, 5-67	8036068	6-12	8036186	9-53
8035892	5-13	8035981	5-25, 5-67	8036069	6-11	8036187	9-57
8035893	5-13	8035982	5-55	8036070	6-23	8036188	9-57
8035894	5-13	8035983	5-56	8036071	6-7, 6-12	8036190	5-99, 5-101, 5-109
8035895	5-13	8035984	5-63	8036072	6-23	8036192	9-29, 9-31
8035896	5-13	8035986	5-67	8036073	6-7, 6-11	8036195	9-29
8035897	5-13	8035987	5-67	8036076	6-17	8036196	6-7, 6-11
8035898	5-13	8035992	5-79	8036077	6-17	8036197	6-7, 6-11
8035899	5-13	8035993	5-79	8036078	6-17	8036198	6-8, 6-12
8035900	5-13	8035994	5-79	8036079	6-17	8036199	6-8, 6-12
8035901	5-13	8035995	5-79	8036080	6-17	8036204	4-17
8035902	5-13	8035996	5-79	8036085	6-17	8036209	12-5, 12-9
8035903	5-13	8035997	5-79	8036088	6-17	8036210	12-5, 12-9
8035904	5-13	8035998	5-25, 5-67	8036090	6-17	8036212	12-5, 12-9
8035905	5-13	8036001	9-33, 9-37	8036091	6-17	8036213	12-5, 12-9
8035906	5-13	8036009	6-19	8036092	6-17	8036214	12-5, 12-9
8035907	5-13	8036010	6-19	8036093	6-17	8036215	12-5, 12-9
8035908	5-13	8036011	6-19	8036094	6-17	8036216	12-3, 12-5, 12-6, 12-9, 12-10
8035909	5-14	8036013	6-19	8036095	6-17	8036217	12-3, 12-5, 12-6, 12-9, 12-10
8035910	5-14	8036014	6-19	8036096	6-17	8036218	12-3, 12-5, 12-6, 12-9, 12-10
8035911	5-14	8036015	6-19	8036097	6-17	8036219	12-6, 12-10
8035912	5-14	8036017	6-19	8036098	6-17	8036220	12-6, 12-10
8035913	5-14	8036019	9-29	8036099	6-23	8036221	12-6, 12-10
8035914	5-14	8036020	9-29	8036100	6-23	8036222	12-6, 12-10
8035915	5-14	8036021	5-91	8036102	6-25	8036250	5-119
8035916	5-14	8036022	5-91	8036103	6-25	8036252	9-57
8035917	5-14	8036023	5-93	8036105	6-17	8036253	9-57
8035918	5-14	8036024	5-95	8036106	6-7	8036257	9-53
8035919	5-14	8036025	5-95	8036107	6-7	8036258	9-54
8035920	5-14	8036026	5-95	8036108	6-7	8036259	9-53, 9-54
8035921	5-14	8036027	5-95	8036110	6-27, 6-29	8036260	9-54
8035923	5-21, 5-63	8036028	5-95	8036111	6-27	8036263	9-53
8035924	5-25	8036029	5-99, 5-101, 5-103, 5-105, 5-107	8036112	6-27, 6-29	8036281	9-53
8035925	5-25	8036030	5-109	8036114	6-27, 6-29	8036282	9-53
8035927	5-25, 5-67	8036031	5-109	8036118	6-27, 6-29	8036283	9-53
8035945	5-29, 5-33, 5-71	8036032	5-109	8036119	6-27	8036284	9-53
8035946	5-29, 5-33, 5-71	8036033	5-111	8036120	6-27, 6-29	8036288	9-29
8035947	5-29, 5-33, 5-71	8036035	5-111	8036121	6-27, 6-29	8036289	9-29
8035948	5-30, 5-34, 5-72	8036036	5-113	8036122	6-27, 6-29	8036290	9-29
8035951	5-29, 5-33, 5-71	8036037	5-113	8036124	6-27, 6-29	8036295	9-5
8035958	5-39	8036038	5-113	8036128	6-29	8036304	5-29, 5-33, 5-71
8035959	5-43	8036039	5-113	8036129	6-29	8036305	5-29, 5-33, 5-71
8035960	5-43	8036040	5-113	8036145	9-17, 9-21	8036312	5-25, 5-67
8035961	5-43	8036041	5-119	8036146	9-17, 9-21	8036313	5-25, 5-67
8035962	5-43	8036042	5-119	8036147	9-17, 9-21	8036320	5-39
8035963	5-43	8036042	5-119	8036148	9-21	8036321	5-39
8035964	5-43	8036048	6-7	8036168	9-7, 9-15	8036330	5-47, 5-79, 5-83
8035965	5-43	8036049	6-25	8036171	9-57		
8035966	5-43	8036050	6-7, 6-11	8036172	9-57		
8035967	5-43	8036056	6-23	8036173	9-53		



PART NUMBER INDEX

Part Number	Page	Part Number	Page	Part Number	Page	Part Number	Page
8036331	5-25, 5-29, 5-33, 5-49, 5-67, 5-71, 5-85	8036837	9-41	8220010	10-22	8223060	12-5, 12-9
8036338	5-79	8036838	9-41	8220012	10-23	8223073	12-9
8036388	6-27, 6-29	8036839	9-41	8220042	10-22	8223081	7-15
80364004	6-17	8036841	5-13	8220051	10-23	8223082	7-15
80364020	6-27, 6-29	8036842	5-21	8220073	4-9, 4-14, 10-11, 10-14	8223083	7-15, 12-23
80364044	6-7	8036847	5-37, 5-75	8220081	10-22, 10-33	8223226	9-61
8036414	5-85	8036848	5-39	8220084	10-22, 10-33	8223232	10-11, 10-13, 10-17, 10-23
8036418	5-27, 5-69	8036849	5-39	8220086	10-22, 10-33	8223244	4-9, 4-14, 10-17, 10-24
8036421	6-27	8036852	5-39	8220087	10-23	8223453	7-13, 7-15
8036422	6-27	8036854	5-39	8220088	10-22	8223532	10-13
8036439	5-25, 5-67	8036855	5-39	8220089	10-23, 10-33	8223536	1-16, 10-31
8036440	5-25, 5-67	8036856	5-39	8220123	10-23, 10-33	8224047	7-19
8036444	5-29, 5-33, 5-71	8036859	5-39	8220124	10-23	8225119	10-4, 10-8, 10-31, 12-5, 12-9, 12-29
8036445	5-29, 5-33, 5-71	8036861	5-39	8220158	10-23	8225122	10-14, 10-18, 10-21
8036447	5-29, 5-33, 5-37, 5-71, 5-75	8036862	5-39	8220161	10-23, 10-33	8226234	10-22
8036451	12-17	8036866	5-43	8220164	10-22	8229233	10-4, 10-8, 10-31, 12-3, 12-5, 12-9, 12-23
8036463	6-27, 6-29	8037206	6-7	8220167	10-23	8229234	10-4, 10-8, 10-13, 10-17
8036517	9-53	80373094	4-49	8220175	10-23	8229235	10-4, 10-8, 12-9
8036536	9-9, 9-11, 9-13, 9-19	80384187	6-17	8220357	10-13, 10-17, 10-22	8229236	12-5
8036537	9-9, 9-11, 9-13, 9-19	80384192	6-17	8220364	10-13, 10-17	8229237	10-4, 10-8
8036538	9-19	80384193	6-17	8220366	10-13, 10-17, 10-22	8229238	10-4, 10-8, 12-3, 12-5, 12-10
8036544	4-3	80384207	6-23	8220536	10-23	8229243	10-13, 10-17, 10-22
8036546	4-27	80384221	6-27, 6-29	8220548	10-22	8229259	10-14, 10-17
8036580	9-31	8040263	5-11	8220549	10-22	8229260	10-14, 10-17, 10-21, 10-27
8036581	9-31	8040264	5-53	8220550	10-22	8262162	4-5
8036582	9-31	8040272	5-53	8220551	10-22	8262319	4-3
8036605	4-5	8040285	5-53	8220552	10-17, 10-22	8262320	4-3
8036606	5-67	8050001	1-3, 1-5, 1-9	8220553	10-13	8270134	10-11
8036732	9-39, 9-41	80623016	5-3	8220882	10-31	8270144	10-13
8036746	9-11, 9-13	8065062	3-13, 3-15, 12-13	8220883	10-22	8270147	10-13, 10-17, 10-21
8036750	9-7, 9-9, 9-15, 9-17, 9-19, 9-21, 9-39, 9-41, 12-17	8065063	1-15	8220885	10-23	8270148	10-13, 10-17, 10-21, 10-27
8036751	5-55	8065634	3-9	8220886	10-23	8270220	4-6
8036752	5-63	8065640	1-3, 1-5, 1-9, 1-15, 2-3, 2-7, 2-9, 12-25	8220887	10-23, 10-33	8270221	10-11
8036753	5-63	8065641	1-3, 1-5, 1-9	8220889	10-22	8270620	10-13, 10-17, 10-21, 10-27
8036756	5-25, 5-67	8080613	4-3	8220890	10-23	8270621	10-17, 10-21, 10-27
8036757	5-25, 5-67	80963055	10-33	8220926	10-31	8272017	4-3
80367585-25, 5-27, 5-67, 5-69		80963056	10-23, 10-33	8220927	10-23, 10-33	8272027	4-5
80367595-25, 5-27, 5-67, 5-69		80974028	4-6, 4-13	8220928	10-23, 10-33	8273013	4-43
8036808	9-9, 9-11, 9-13, 9-19	80974033	4-6	8220929	10-23, 10-33	8273237	4-43
8036809	9-19	8160078	7-21	8220930	10-23, 10-33	8273238	4-43
8036810	9-19	8160406	7-21	8220931	10-23, 10-33	8273240	4-43
8036811	9-19, 9-31, 9-41	8160418	7-21	8220932	10-23, 10-33	82732414-43, 4-45, 4-47, 4-49	
8036812	4-29, 4-33	8160419	7-17, 7-19	8220937	10-23	8273272	4-43
8036813	9-9	8160610	7-5	8220944	10-22	8274022	4-19, 4-21
8036814	9-9, 9-11, 9-13	8162003	7-5	8220945	10-22	8275045	4-53, 4-55
8036815	9-9, 9-11, 9-13	8162007	7-7	8220951	10-23	82752404-51, 4-53, 4-55, 4-57	
8036816	4-29, 4-33	8180215	4-29, 4-33	8220954	10-23	8275247	4-13, 4-51, 4-53, 4-55, 12-31
8036823	9-19	8180216	4-29, 4-33	8223025	10-4, 10-8		
8036824	9-19	8180311	4-27, 4-29, 4-33	8223037	7-13, 7-15		
8036825	9-31, 9-41	8180324	4-29, 4-33	8223038	12-23		
8036826	9-31	8180325	4-29, 4-33	8223041	10-31		
8036827	9-31	8180326	4-29, 4-33	8223042	10-31		
8036828	9-31	8180325	4-29, 4-33	8223043	6-23, 6-25		
8036829	9-19	8180326	4-29, 4-33	8223044	6-23		
		8180335	4-29, 4-33	8223046	7-13, 7-15		
		8205655	9-65	8223054	7-13, 7-15		
		8205657	9-3, 9-5	8223057	12-5, 12-9		
		8220008	10-22	8223059	12-3, 12-5, 12-9		



PART NUMBER INDEX

Part Number	Page	Part Number	Page	Part Number	Page	Part Number	Page
8307221	4-29, 4-33, 10-14, 10-17, 10-22	8310326	9-57	8405209	4-41, 4-57, 8-25, 8-29, 8-33, 8-37, 8-41, 8-45	8526011	12-27, 9-3, 9-5, 9-7, 9-9, 9-11, 9-13, 9-15, 9-19, 9-23, 9-27, 9-29, 9-33, 9-37, 9-39, 9-41, 12-13, 12-17
8307222	4-3, 4-29, 4-33	8310327	9-57	8405212	4-41	8526035	12-23
83079042-17, 2-21, 3-13, 3-15		83103378-25, 8-29, 8-41, 8-45		8405305	4-43, 4-45, 4-47	8526036	2-13, 2-17, 2-19, 2-21, 2-25, 4-61
8307910	2-3, 2-7, 2-10	8310344	10-11	8405307	4-43	8526048	8-15, 8-50
8307911	2-3, 2-7, 2-10	8310354	4-6	8405404	4-43	8526203	5-124
8307912	1-15, 5-3, 5-7	8310356	5-3, 5-7	8405505	4-45, 4-47, 4-49	8530030	8-25, 8-29, 8-33, 8-37, 8-41, 8-45
8307913	1-15, 5-3, 5-7	8310362	6-3	8406101	4-27, 4-29, 4-33	8540218	6-27
83079182-17, 2-21, 3-13, 3-15		8310377	8-33, 8-37	8406102	4-47	8540231	6-27
8310001	7-19	8310382	6-4	8406105	4-6, 4-9, 4-36, 4-63, 10-18, 10-21	8541435	9-61
83100098-9, 8-13, 8-15, 8-23, 8-49, 10-18, 10-23		8310420	4-27, 8-13, 8-21, 8-26, 8-29, 8-33, 8-37, 8-41, 8-45	8406302	4-5, 4-29, 8-61, 10-21, 10-27	8546407	8-41
8310016	6-3	8310424	4-3	8410012	4-41	8580110	7-17, 7-19, 7-21
83100192-25, 2-27, 2-29, 2-31		8310425	4-61, 5-3, 5-8	84100134-19, 4-21, 4-23, 4-25		8580315	3-13, 3-15
8310020	2-25, 2-27	8310431	2-3, 2-7, 2-9, 10-18, 10-22	8410021	4-45, 4-47, 4-49	8580420	1-13, 4-27, 4-49
8310026	2-19	8310435	3-45	84200533-9, 3-11, 3-13, 3-15, 3-45, 8-49		8581007	1-11
8310039	1-9	8310475	1-15	84200553-9, 3-11, 3-13, 3-15, 3-45, 8-49		8582007	10-4, 10-8
8310041	10-11, 10-14	8310477	8-25, 8-29, 8-33, 8-37, 8-41, 8-45	8420229	4-19, 4-21	85840013-9, 3-13, 3-15, 6-23, 7-19, 8-15, 8-49, 10-11, 10-13, 10-17, 10-21, 12-3, 12-5, 12-9	
8310051	1-3, 1-5	8310478	8-21	8430032	8-3, 8-7, 8-21, 8-25, 8-30, 8-33, 8-37, 8-41, 8-46, 9-57	8584018	12-3, 12-5, 12-9
8310056	1-5, 2-7	8310493	6-3	8430033	8-34, 8-37, 8-46, 9-44, 9-57	8630003	3-45, 8-3, 8-7
8310058	2-7	8310497	2-3, 2-7, 2-9	8430034	9-61	8630019	5-3, 5-7
8310066	1-3, 1-5, 2-27	8310499	8-21	8430037	8-21, 8-33, 8-46	8630021	7-17
8310067	1-15, 4-3, 4-5, 4-13, 4-17, 5-3, 5-7	8310522	8-21	8430048	6-27, 6-29	8640017	9-57
8310077	4-6, 10-11, 10-21	8310523	8-25, 8-29, 8-33, 8-37, 8-41, 8-45, 10-27	8430064	9-61	8640028	3-9, 8-49
8310078	4-6, 10-11, 10-21	8310524	8-25, 8-29, 8-33, 8-37, 8-41, 8-45	8430081	8-3, 8-7	8640029	3-9, 3-13, 8-49
8310081	8-49	8310529	6-8, 6-11, 6-15	8444228	9-43	8640032	3-9, 8-49
8310085	6-3, 12-5, 12-10	8310650	10-13, 10-17, 10-22	8444230	9-47	8640123	8-25, 8-29, 8-33, 8-37, 8-41, 8-45, 8-46
8310093	2-17, 2-21	8310658	1-11, 1-13	8466306	6-3	8640208	8-25, 8-29, 8-33, 8-37, 8-41, 8-45
8310104	4-27	8310687	10-22	8500066	12-23	8640903	9-61
8310109	4-55, 4-57, 12-3, 12-10, 12-31	8310725	7-7, 7-9	8500203	12-5, 12-9	8642001	3-9
8310113	2-3, 2-7, 2-9	8310748	4-9	8520001	1-3, 1-5, 1-9, 2-7, 2-25, 2-27, 12-25	8642207	3-13, 3-15
8310116	1-15, 5-3, 5-7	8320262	4-3	8520003	2-9, 2-29, 2-31, 9-7, 9-15, 9-33, 9-37, 12-25	8642224	2-3, 2-7, 2-9, 2-17, 2-21
8310129	1-11, 1-13	8320265	9-61	8520013	1-3, 1-5, 1-9, 1-15, 2-3, 2-7, 2-17, 2-21, 3-9, 9-3, 9-5, 9-17, 9-21	8642235	3-9
8310136	6-7	8320270	4-19	8520021	1-3, 1-5, 1-9, 2-17, 2-21, 9-17, 9-21	86683480	10-18
8310143	7-17	8320275	4-6	85220121-3, 1-5, 1-9, 2-3, 2-7, 2-10, 2-17, 2-21, 2-25, 2-27, 2-31		8700116	7-5
8310144	7-17	8340034	7-5	8526007	1-6, 2-3, 2-7, 2-9, 2-15, 2-23, 4-5, 4-63, 9-3, 9-5, 9-9, 9-19, 9-41, 12-13, 12-15,	8721029	8-23
8310151	1-15	8342416	1-11			8750003	8-15, 8-49
8310159	8-13, 8-21	8342808	1-13, 6-17			8750011	8-50
8310160	3-13, 3-15	835008	10-17			8750012	8-4, 8-7, 8-15, 8-18, 8-23, 8-50
8310161	3-13, 3-15	8360005	6-27, 6-29			8750015	4-21, 4-25, 8-17
8310163	9-61	836731304-3, 4-9, 4-13, 12-27				8750016	8-7, 8-17, 8-23
8310164	12-19, 12-21	83673133	12-27			8750017	4-21, 8-4, 8-7, 8-10, 8-13, 8-15, 8-17, 8-34, 8-38, 8-41,
8310195	3-25	83683175	4-57, 4-59, 12-31				
83102004-23, 4-29, 4-33, 8-61		83683308	4-35, 4-39				
8310205	2-27	8380008	3-21				
8310209	2-13, 2-15	8382017	3-25				
8310210	2-27	8405007	6-27, 6-29				
8310215	5-3, 5-7	8405009	4-19, 4-21, 4-35				
8310235	2-13, 2-15	8405104	4-27, 4-29, 4-33, 4-35, 4-41				
8310245	2-13, 2-15	8405201	4-35, 4-36, 4-39				
83102464-29, 4-33, 4-35, 4-39		8405202	4-33, 4-39, 4-59, 6-29, 12-31				
8310259	5-3, 5-7	8405203	4-27				
8310266	2-23						
8310276	2-23						
8310290	4-5						
8310302	3-45						



Part Number	Page	Part Number	Page	Part Number	Page	Part Number	Page
	8-50, 8-53, 8-55,	8769161	8-15, 8-49	8902199	9-57	91474435	9-71
	8-59	8770016	3-13, 3-15	8902206	9-57	91474438	9-71
8750024	4-21, 8-10, 8-25,	8770070	8-53	8902274	8-3	91474439	9-71
	8-37, 8-53, 8-55	8770078	4-29, 4-33	8902696	9-57	91474440	9-71
87500258-9	8-13, 8-25, 8-29,	8770109	8-3, 8-7	8902697	9-57	91474441	9-71
	8-33, 8-37, 8-41,	8770120	8-3, 8-7	8902698	9-57	91474442	9-69, 9-71
	8-45, 8-55, 8-59	8770152	8-3, 8-7	8902857	8-17	91474443	9-69, 9-71
8750026	4-21, 8-10, 8-13,	8770157	8-9, 8-13	8902858	8-17	91474446	9-69, 9-71
	8-34, 8-38, 8-41,	8770173	8-25, 8-29, 8-33,	8990147	6-3	91474447	9-69, 9-71
	8-53, 8-55, 8-57,		8-37, 8-41, 8-46	90022230	9-63	91474450	9-69, 9-71
	8-59, 8-61	8770175	8-3, 8-7	90028488	4-39, 4-55	91474451	9-71
87500274-13	8-4, 8-15, 8-17,	8770183	8-3	90200003	3-5, 3-7, 3-9, 3-11,	91474452	9-71
	8-23, 8-49, 8-50,	8770189	8-3, 8-7, 8-21		3-13, 3-15	91474453	9-71
	8-53, 10-18,	8770289	8-21	90200382	10-23	91474454	9-69, 9-71
	10-23	8780031	5-123, 5-124	90200755	4-39	91474455	9-69, 9-71
87500408-9	8-13, 8-29, 8-33,	8780036	5-123, 5-124	90206196	1-13	91474456	9-69, 9-71
	8-34, 8-38, 8-41,	8780045	5-123, 5-124	90451058	3-5, 3-9, 3-45	91474458	9-69, 9-71
	8-45, 8-55, 8-57,	8780047	5-127	90551013	3-5, 3-9, 3-13	91474459	9-69, 9-71
	8-59, 8-61	8780048	5-123, 5-124	90554016	3-21, 3-23, 3-41	91474460	9-71
8760037	8-15	8780050	5-123, 5-124	90554017	3-41	91511145	7-3
8760039	8-9	8780264	5-123, 5-124	90554018	3-21, 3-41	91513140	8-45
8760117	8-25, 8-29, 8-33	8786514	5-123, 5-124, 5-127	90554020	3-21, 3-23	91513180	7-3
8760140	8-23	8786572	5-3, 5-7	90554042	3-21, 3-23	91513197	4-39
8760237	8-23	8786573	5-3, 5-7	90554045	9-67	91514197	9-71
8760254	8-25, 8-29, 8-33	88261017	7-19	90554054	3-21, 3-23	91514198	9-71
8760268	8-3, 8-7, 8-17, 8-25,	8841036	5-89	90554062	3-23, 3-41	91514199	9-71
	8-29, 8-33, 8-37,	88411094	12-3, 12-10	90554065	3-41	91563070	4-41
	8-41, 8-46	8841318	4-61	90554076	3-23, 3-41	91563164	6-21
8760305	12-25	8841319	4-63	90554080	3-29	91565094	3-29
8760328	8-53	88561004	4-35	91033137	4-35, 4-39		
8760415	8-25, 8-29, 8-33	8864053	6-19	91043125	3-21, 3-49		
8760451	8-34	8864057	6-19	91043126	3-21, 3-49		
8760457	8-26, 8-29	88662192	9-58	91044080	9-63		
8760463	8-15	8866341	4-27, 4-29, 4-33	91081640	10-17, 10-28		
8760465	8-15, 8-49	8866348	6-3	91143122	4-25		
8760468	8-10, 8-13	8866351	6-3	91163129	4-35, 4-39		
8760477	8-15	8866441	3-33	91164113	4-5		
8760479	8-25, 8-29, 8-33	8866442	3-33	91164114	4-5		
8760510	8-33	8866443	3-33	91344032	6-17		
8760548	8-59, 8-61	8866444	3-33	91344043	6-7, 6-29		
8760552	8-25, 8-29, 8-33,	8866445	3-33	91364023	4-45, 4-47, 4-49		
	8-37, 9-61	8866446	3-33	91401281	10-28		
8762012	8-25, 8-29, 8-33	8866464	3-33	91401299	10-17, 10-23		
8765204	8-15, 8-17, 8-21,	8866529	6-3	91403193	5-3, 5-7		
	8-25, 8-29, 8-50	8866530	6-3	91403413	3-9, 3-11, 3-13,		
8769122	8-15, 8-49	8866560	3-33		3-15, 3-21, 3-45,		
8769123	4-21, 4-25, 8-15,	8866561	3-33		3-49, 8-49		
	8-17, 8-50	88671001	3-11	91403414	3-9, 3-11, 3-13,		
8769128	4-13, 8-13, 8-15,	88671022	5-3		3-15, 3-21, 3-45,		
	8-23, 8-49, 8-53,	88761001	3-9		3-49, 8-49		
	10-18, 10-23,	8880218-OM	5-121	91404298	6-11, 6-29		
	12-25	8880219	4-61	91404299	11-4, 11-9		
8769132	3-13, 3-15	8880219-OM	5-121	91404301	6-11		
8769139	8-13, 12-25	8902111	9-57	91404315	6-17		
8769140	8-9	8902175	8-3, 8-7, 8-21	91404317	6-17		
8769149	8-15	8902188	9-53	91404318	6-17		
8769158	2-13	8902193	9-57	91404319	6-17		
8769159	2-13	8902194	9-57	91474023	9-57		
8769160	2-13	8902197	9-57	91474434	9-69, 9-71		



PART NUMBER INDEX

Part Number

Page

Part Number

Page

Part Number

Page

Part Number

Page



8990395



An Oshkosh Corporation Company

JLG Industries, Inc.
1 JLG Drive
McConnellsburg PA. 17233-9533
USA
Phone: +1-717-485-5161
Customer Support Toll Free: 1-877-554-5438
Fax: +1-717-485-6417

JLG Worldwide Locations

JLG Industries (Australia)
P.O. Box 5119
11 Bolwarra Road
Port Macquarie
N.S.W. 2444
Australia
Phone: +61 2 65811111
Fax: +61 2 65813058

JLG Latino Americana Ltda.
Rua Antonia Martins Luiz, 580
Distrito Industrial João Narezzi
13347-404 Indaiatuba - SP
Brazil
Phone: +55 19 3936 8870
Fax: +55 19 3935 2312

JLG Industries (UK) Ltd
Bentley House
Bentley Avenue
Middleton
Greater Manchester
M24 2GP
England
Phone: +44 (0)161 654 1000
Fax: +44 (0)161 654 1001

JLG France SAS
Z.I. de Baulieu
47400 Fauillet
France
Phone: +33 (0)5 53 88 31 70
Fax: +33 (0)5 53 88 31 79

JLG Deutschland GmbH
Max-Planck-Str. 21
D - 27721 Ritterhude-Ihlpohl
Germany
Phone: +49 (0)421 69 350 20
Fax: +49 (0)421 69 350 45

JLG Equipment Services Ltd.
Rm 1107 Landmark North
39 Lung Sum Avenue
Sheung Shui N.T.
Hong Kong
Phone: +852 2639 5783
Fax: +852 2639 5797

JLG Industries (Italia) s.r.l.
Via Po. 22
20010 Pregnana Milanese - MI
Italy
Phone: +39 029 359 5210
Fax: +39 029 359 5845

JLG Europe B.V.
Polaris Avenue 63
2132 JH Hoofddorp
The Netherlands
Phone: +31 (0)23 565 5665
Fax: +31 (0)23 557 2493

JLG Polska
Ul. Krolewska
00-060 Warszawa
Poland
Phone: +48 (0)914 320 245
Fax: +48 (0)914 358 200

Plataformas Elevadoras
JLG Iberica, S.L.
Trapadella, 2
P.I. Castellbisbal Sur
08755Castellbisbal, Barcelona
Spain
Phone: +34 93 772 4 700
Fax: +34 93 771 1762

JLG Sverige AB
Enkopingsvagen 150
Box 704
SE - 176 27 Jarfalla
Sweden
Phone: +46 (0)850 659 500
Fax: +46 (0)850 659 534